



US00D940781S

(12) **United States Design Patent**
Huang et al.

(10) **Patent No.:** **US D940,781 S**
(45) **Date of Patent:** **** Jan. 11, 2022**

(54) **CAMERA**

(71) Applicant: **ASUSTeK COMPUTER INC.**, Taipei (TW)

(72) Inventors: **Cheng-Wei Huang**, Taipei (TW);
Ten-Long Dan, Taipei (TW);
Chun-Wen Chen, Taipei (TW);
Chih-Wei Chuang, Taipei (TW);
Tsui-Wei Lin, Taipei (TW); **Ting-Wei Ku**, Taipei (TW); **Chung-Chuan Chu**, Taipei (TW); **Chih-Wei Kao**, Taipei (TW)

(73) Assignee: **ASUSTeK COMPUTER INC.**, Taipei (TW)

(**) Term: **15 Years**

(21) Appl. No.: **29/690,881**

(22) Filed: **May 13, 2019**

(51) **LOC (13) Cl.** **16-05**

(52) **U.S. Cl.**
USPC **D16/219**

(58) **Field of Classification Search**
USPC D16/200, 202–207, 208–210, 212, 218,
D16/219; 348/373–376; 396/448, 535,
396/539–541
CPC G03B 15/03; G03B 17/02; G03B 17/04;
G03B 17/56; G03B 19/04; H04N 5/2251;
H04N 5/2252; H04N 5/2253; H04N
5/2254; H04N 2101/00
See application file for complete search history.

(56) **References Cited**

U.S. PATENT DOCUMENTS

D741,389 S	*	10/2015	Park	D16/203
D798,935 S	*	10/2017	Dimitriadis	D16/203
D836,147 S	*	12/2018	Rao	D16/203
D842,358 S	*	3/2019	Puric	D16/203
D845,373 S	*	4/2019	Mittleman	D16/203

D848,502 S	*	5/2019	Puric	D16/203
D849,095 S	*	5/2019	Puric	D16/203
D875,165 S	*	2/2020	Moy	D16/219
D884,768 S	*	5/2020	Liu	D16/203
D897,406 S	*	9/2020	Ikegame	D16/219
D902,884 S	*	11/2020	Wang	D14/204
D902,976 S	*	11/2020	Han	D16/203
D906,400 S	*	12/2020	Saito	D16/219

FOREIGN PATENT DOCUMENTS

CN	204993587	1/2016
CN	304073773	3/2017
CN	304241302	8/2017
CN	206698315	12/2017

* cited by examiner

Primary Examiner — Ramzi Almatrahi

(74) *Attorney, Agent, or Firm* — JCIPRNET

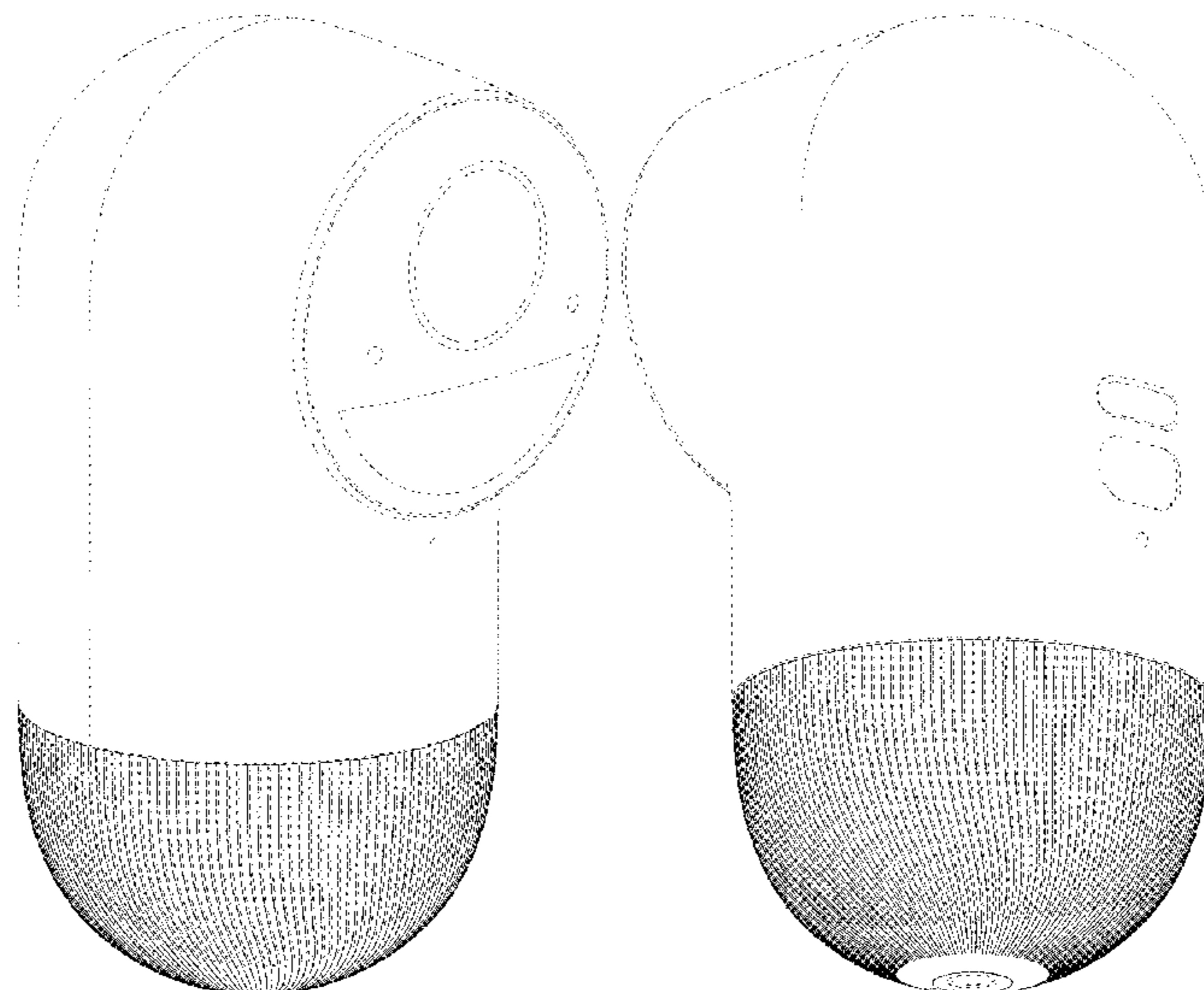
(57) **CLAIM**

The ornamental design for a camera, as shown and described.

DESCRIPTION

FIG. 1 is a top, front and left side perspective view of a camera showing our new design;
FIG. 2 is a bottom, rear and right side perspective view thereof;
FIG. 3 is a front elevation view thereof;
FIG. 4 is a rear elevation view thereof;
FIG. 5 is a left side elevation view thereof;
FIG. 6 is a right side elevation view thereof;
FIG. 7 is a top plan view thereof;
FIG. 8 is a bottom plan view thereof; and,
FIG. 9 is an enlarged view of portion 9 shown in FIG. 8.
The broken lines depict portions of the camera in which the design is embodied that form no part of the claimed design. Additionally, the dot-dash broken lines encircling an enlargement portion of the design forms no part of the claimed design.

1 Claim, 9 Drawing Sheets



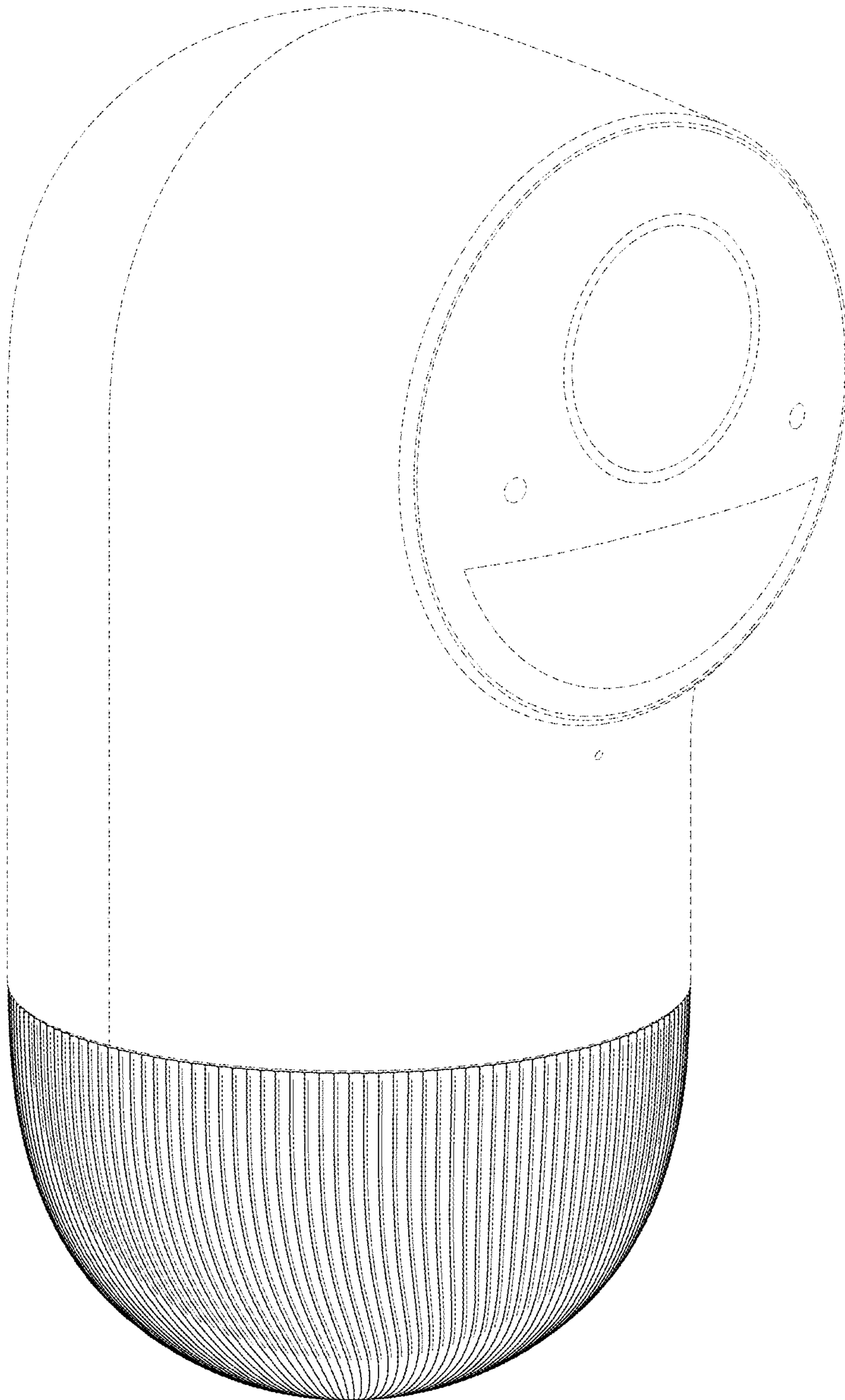


FIG. 1

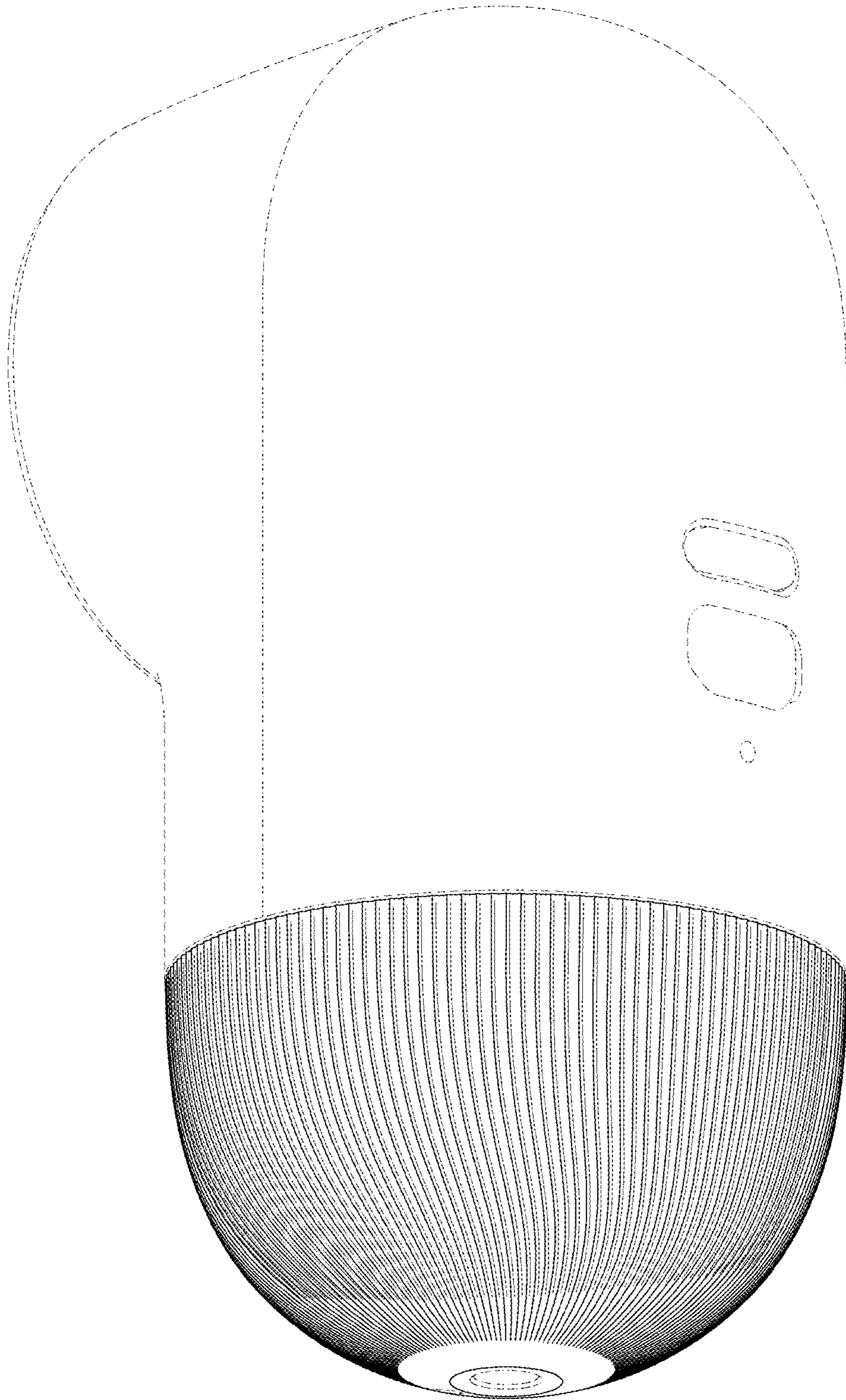


FIG. 2

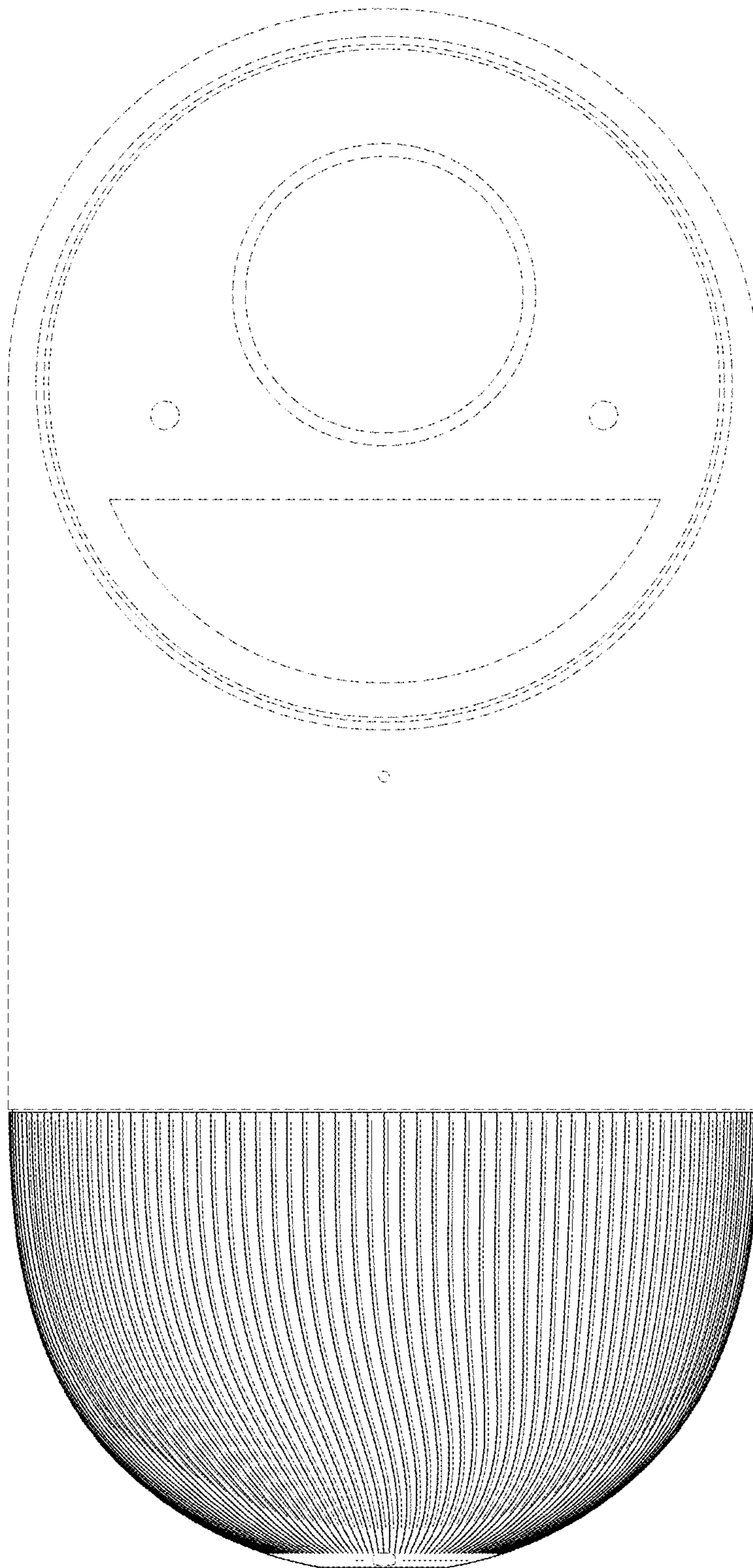


FIG. 3

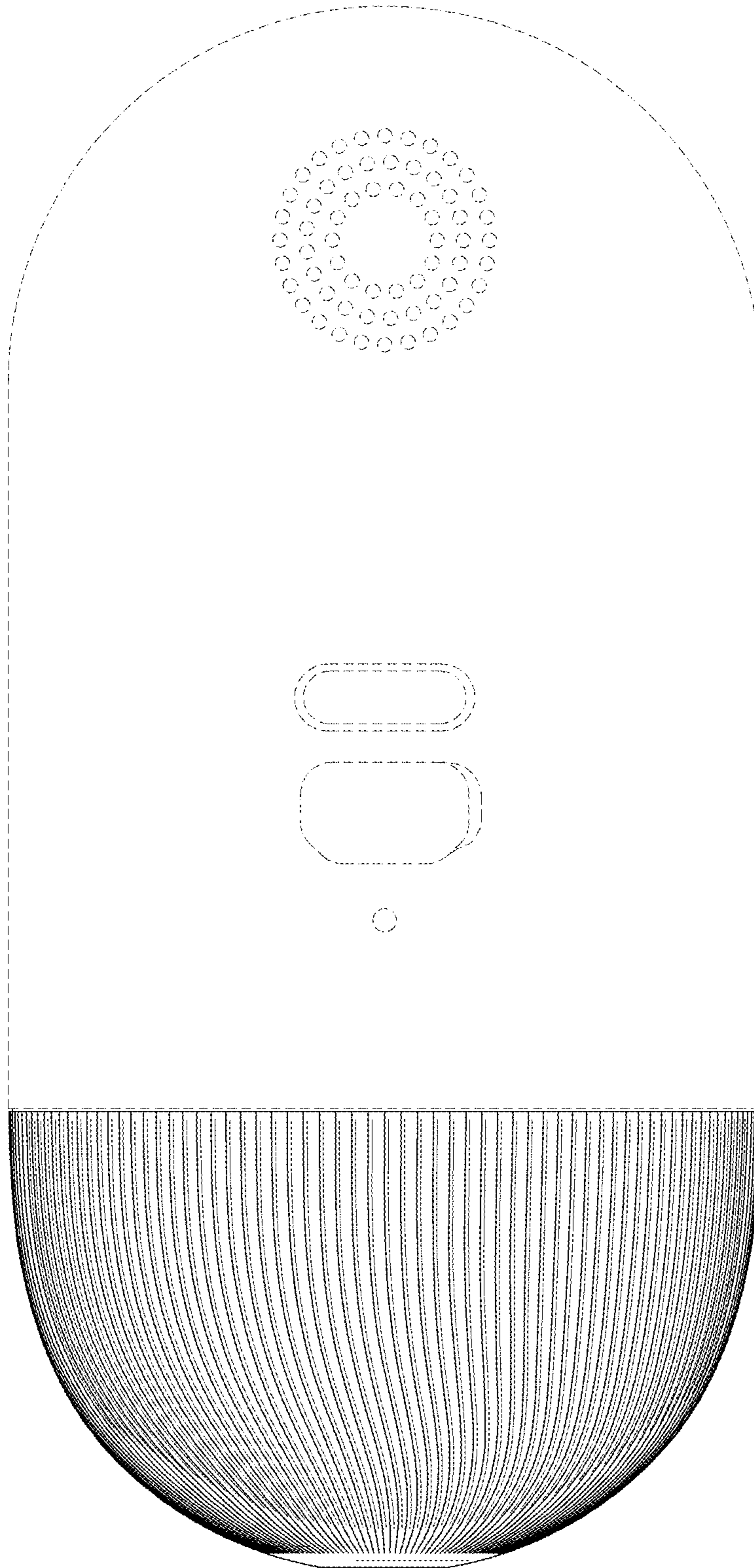


FIG. 4

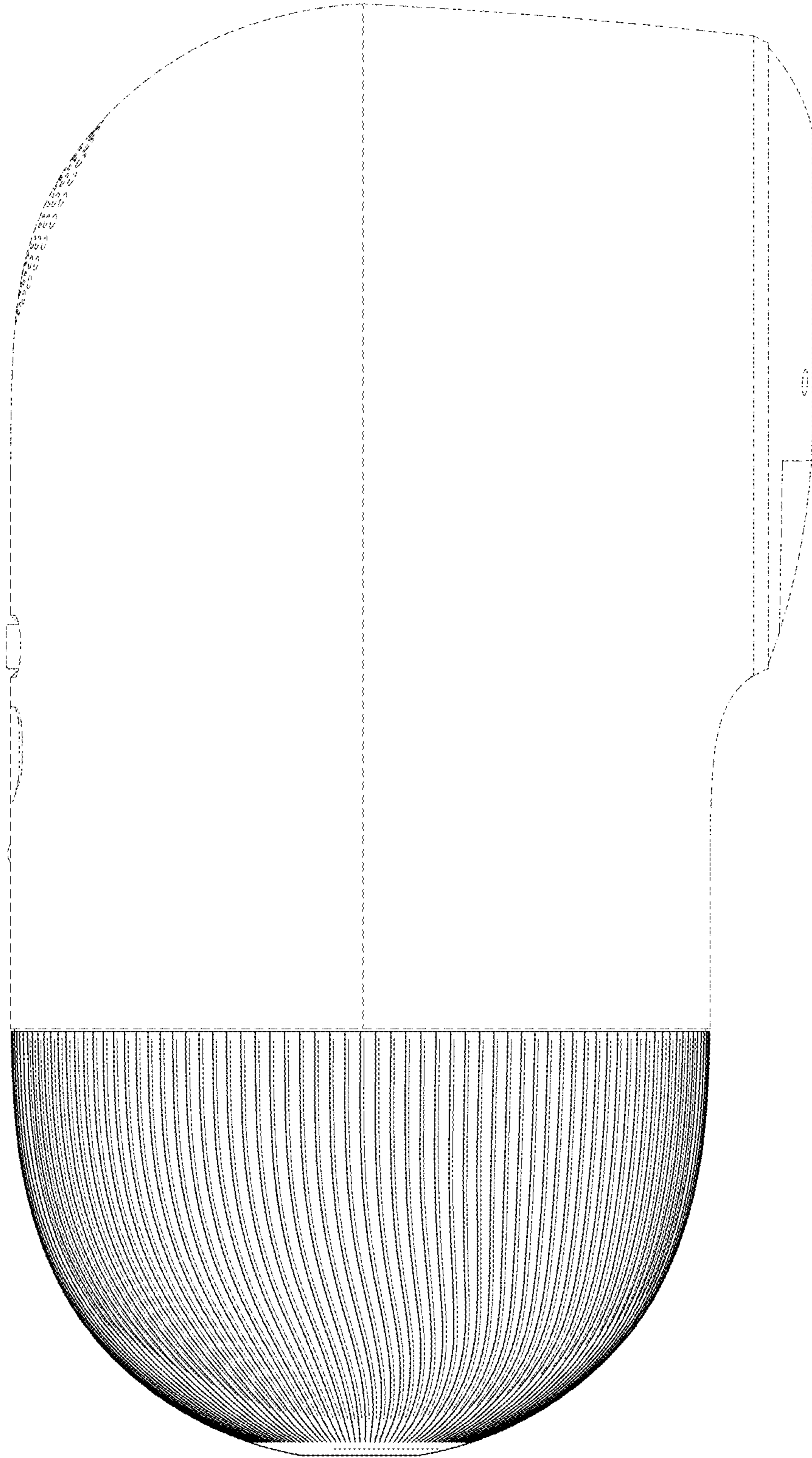


FIG. 5

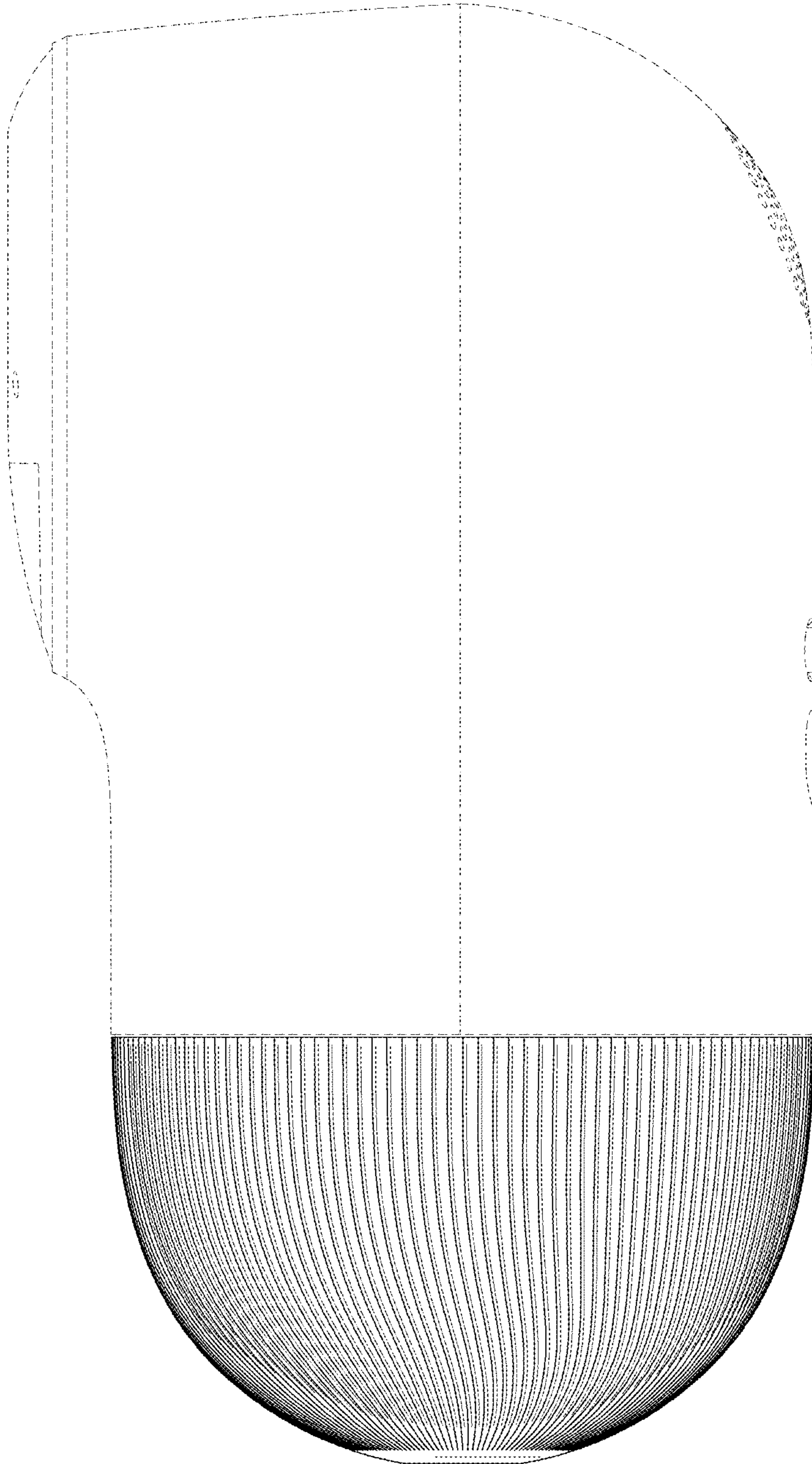


FIG. 6

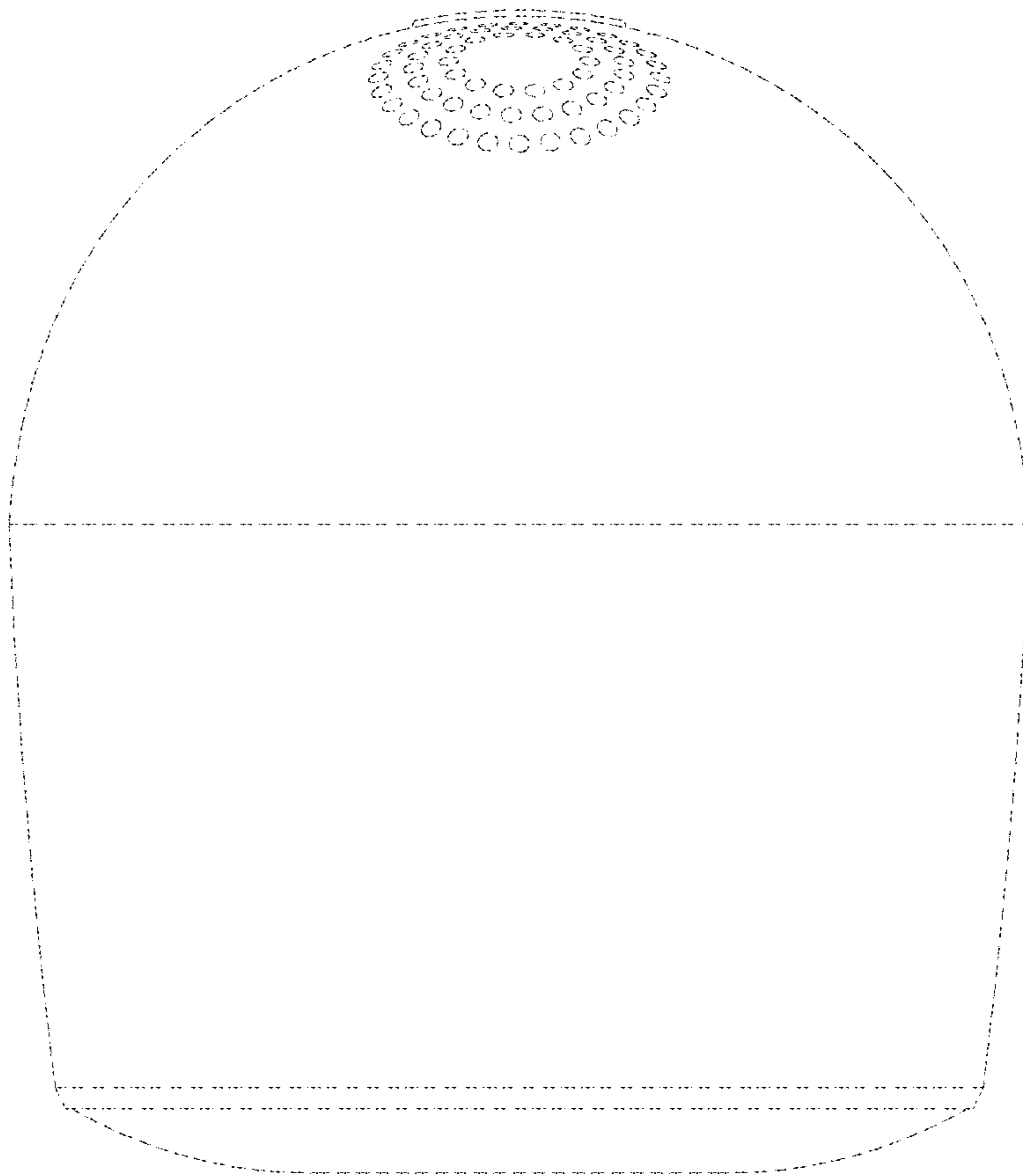


FIG. 7

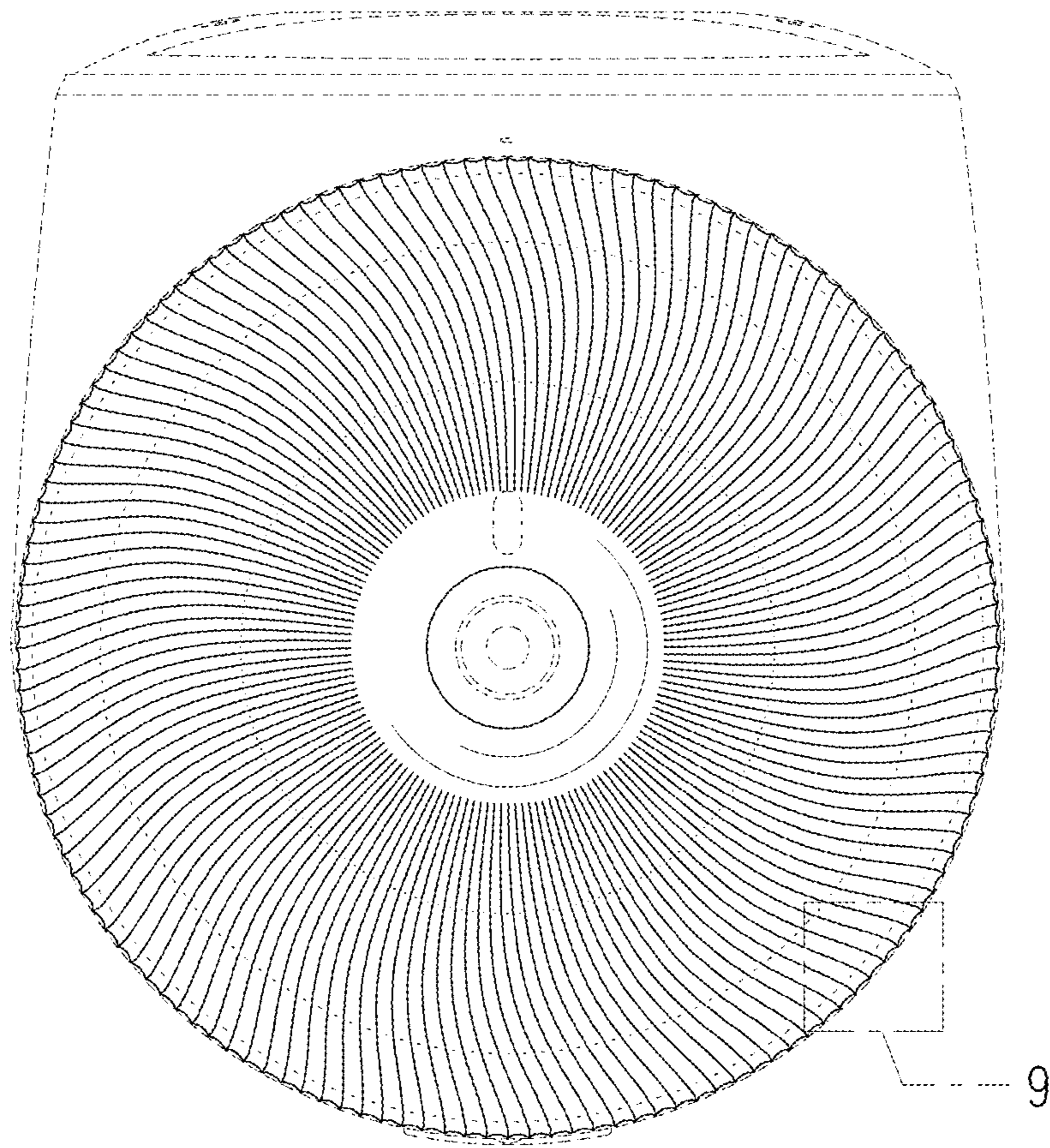


FIG. 8

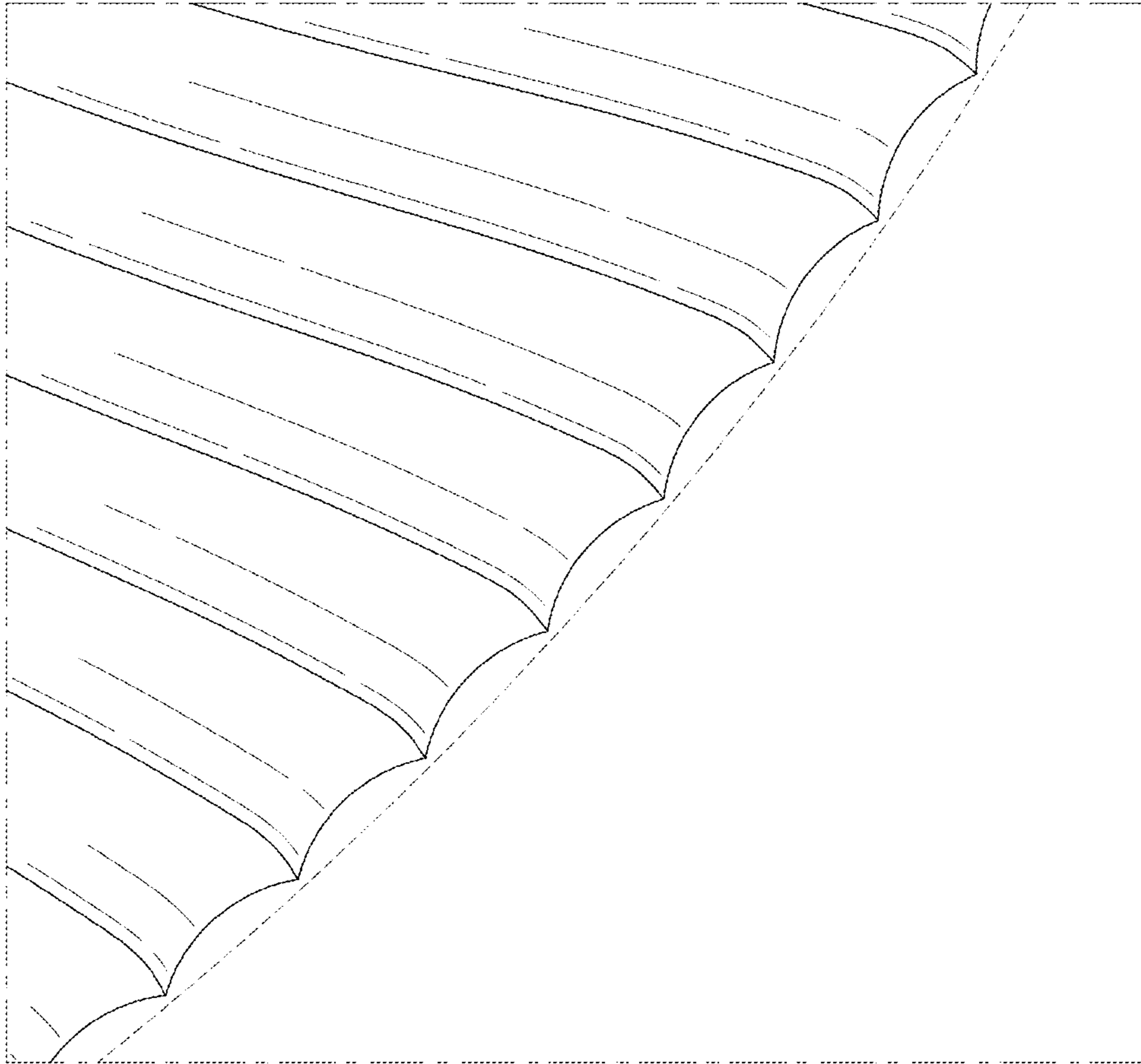


FIG. 9