



US00D940780S

(12) **United States Design Patent**
Yalazoglu et al.

(10) **Patent No.:** **US D940,780 S**
(45) **Date of Patent:** **** Jan. 11, 2022**

(54) **CAMERA DEVICE**

(71) Applicant: **Logitech Europe S.A.**

(72) Inventors: **Tanyel Yalazoglu**, Geneva (CH); **Bengt Gunnar Brummer**, Lausanne (CH); **Nicholas Jinkinson**, St-Sulpice (CH)

(73) Assignee: **Logitech Europe S.A.**, Lausanne (CH)

(**) Term: **15 Years**

(21) Appl. No.: **29/797,869**

(22) Filed: **Jul. 2, 2021**

Related U.S. Application Data

(63) Continuation of application No. 29/756,617, filed on Oct. 29, 2020, now Pat. No. Des. 926,858, which is a continuation of application No. 29/699,433, filed on Jul. 25, 2019, now Pat. No. Des. 903,738.

(51) **LOC (13) Cl.** **16-01**

(52) **U.S. Cl.**
USPC **D16/218**; D16/202

(58) **Field of Classification Search**
USPC D16/200, 202–206, 218, 219, 242;
348/143, 148, 151, 373–376; 396/419,
396/427, 535, 539–541
CPC G03B 17/02; G03B 19/04; G03B 17/56;
G03B 17/04; G03B 15/03; H04N 5/2251;
H04N 5/2252; H04N 5/2253; H04N
5/2254; H04N 7/181; H04N 7/183; H04N
7/18; G08B 13/1963; G08B 13/19619;
G08B 13/19632; F16M 11/04; F16M
13/00

See application file for complete search history.

(56) **References Cited**

U.S. PATENT DOCUMENTS

D320,028 S *	9/1991	Sedighzadeh	D16/203
D333,582 S *	3/1993	Sedighzadeh	D6/513
D394,274 S *	5/1998	Suzuki	D16/202
D471,927 S *	3/2003	Kim	D14/240
D509,842 S *	9/2005	Ou	D16/202
D516,105 S *	2/2006	Bradley	D16/202
D545,858 S *	7/2007	Li	D16/202
D558,811 S *	1/2008	Higgins	D16/203
D700,231 S *	2/2014	Berkmortel	D16/203
D832,907 S *	11/2018	Jeong	D16/203
D858,604 S *	9/2019	Clement	D16/203

* cited by examiner

Primary Examiner — Ramzi Almatrahi

(74) *Attorney, Agent, or Firm* — Kilpatrick Townsend & Stockton LLP

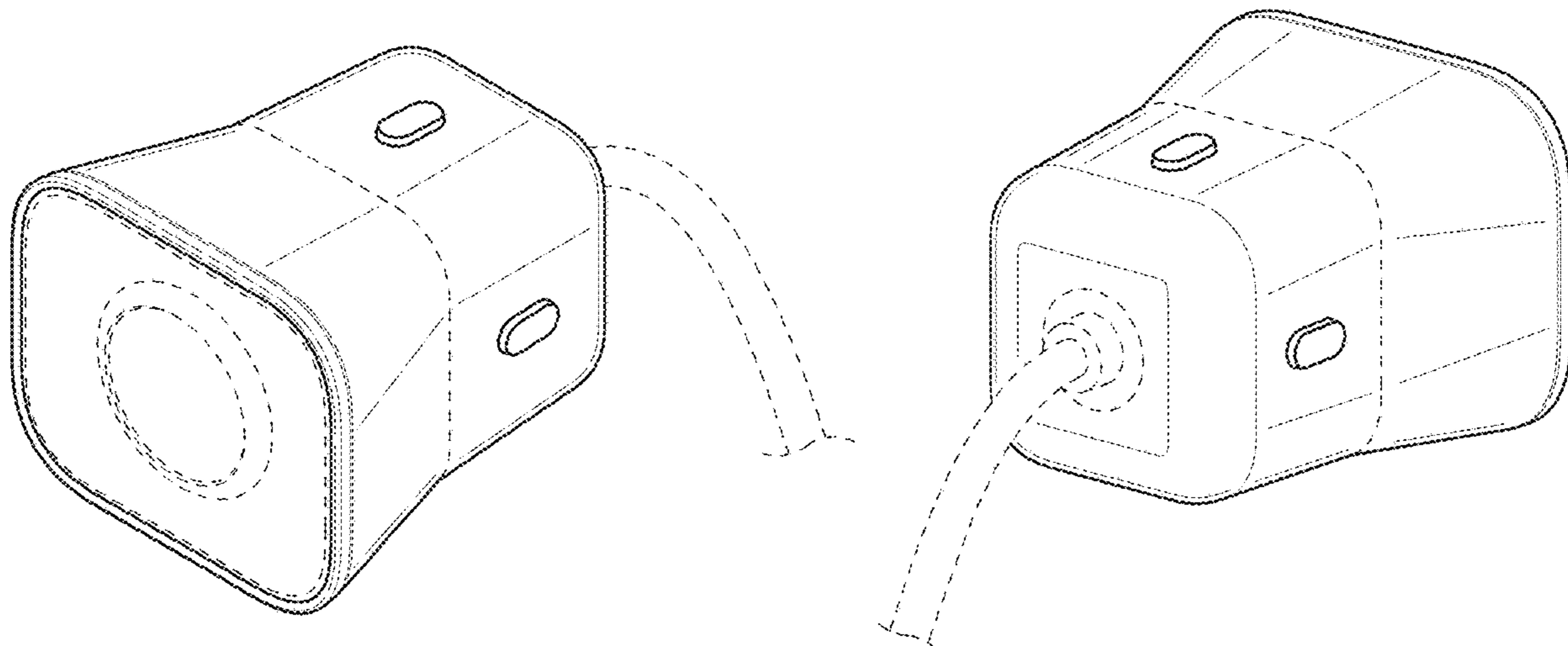
(57) **CLAIM**

The ornamental design for a camera device, as shown and described.

DESCRIPTION

FIG. 1 is a front and right side perspective view of a camera device showing our new design;
FIG. 2 is a rear and left side perspective view thereof;
FIG. 3 is a front elevational view thereof;
FIG. 4 is a rear elevational view thereof;
FIG. 5 is a top plan view thereof;
FIG. 6 is a bottom plan view thereof;
FIG. 7 is a left side elevational view thereof; and,
FIG. 8 is a right side elevational view thereof.
The broken lines depict portions of the camera device in which the design is embodied that form no part of the claimed design.

1 Claim, 4 Drawing Sheets



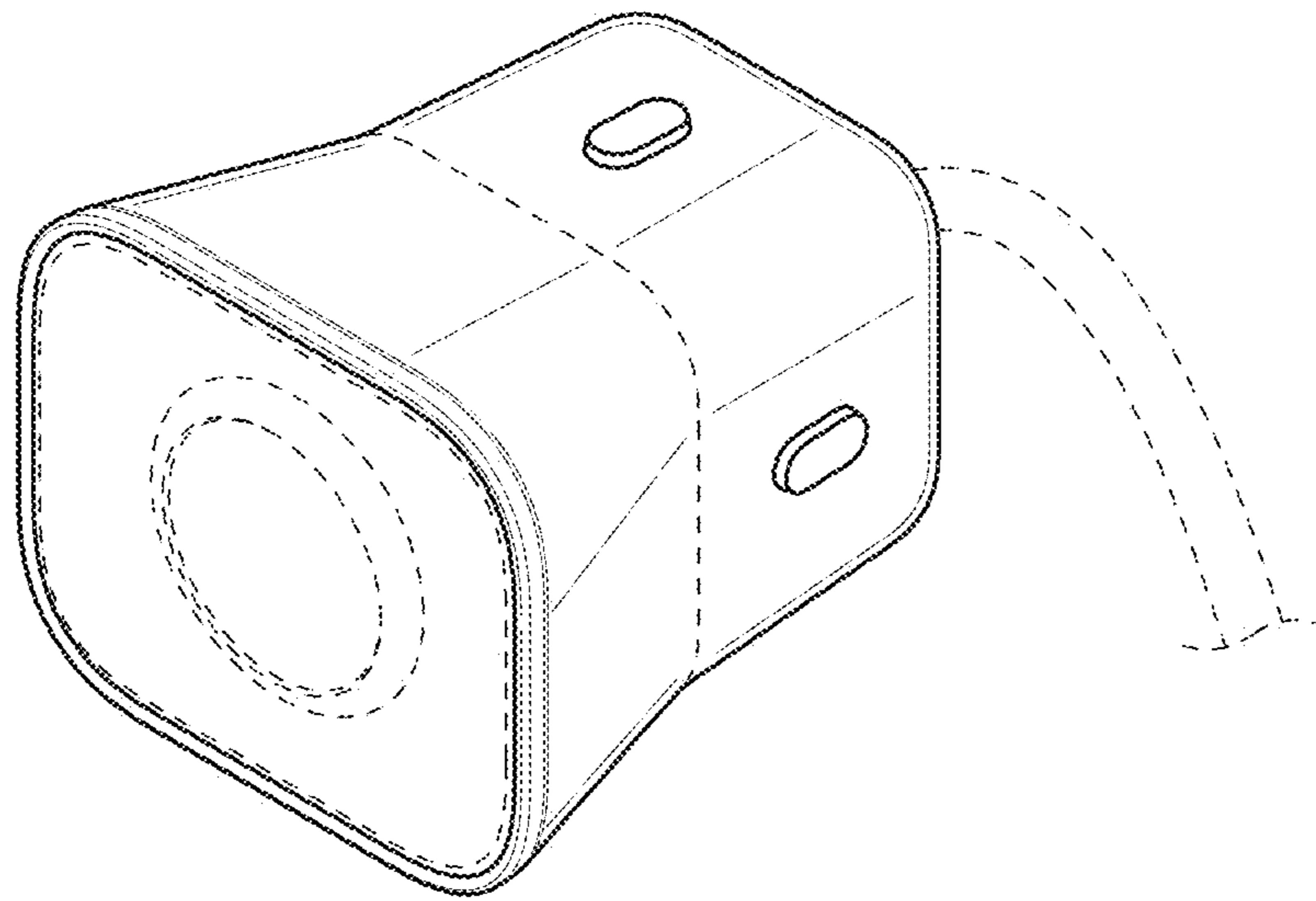


FIG. 1

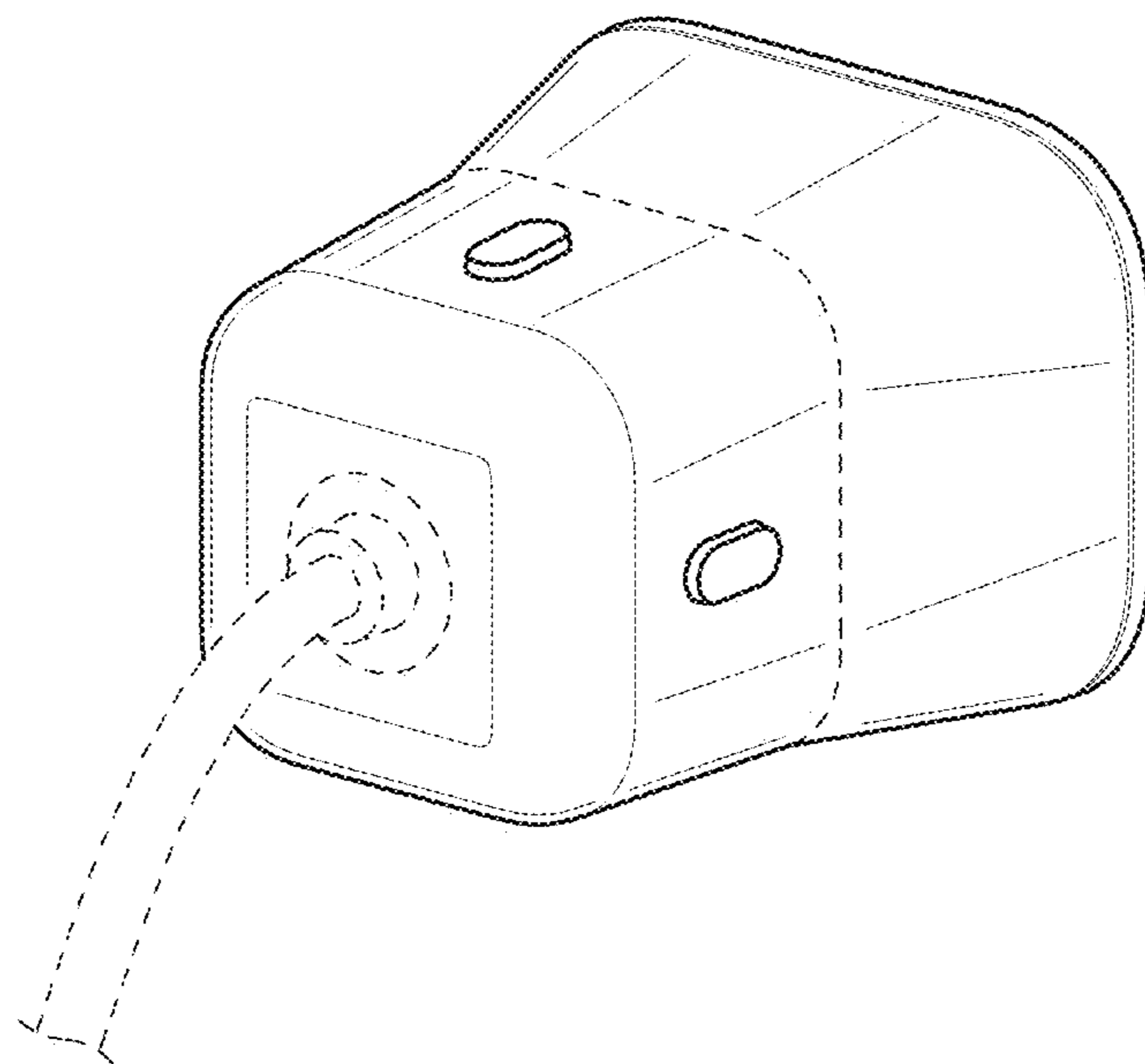


FIG. 2

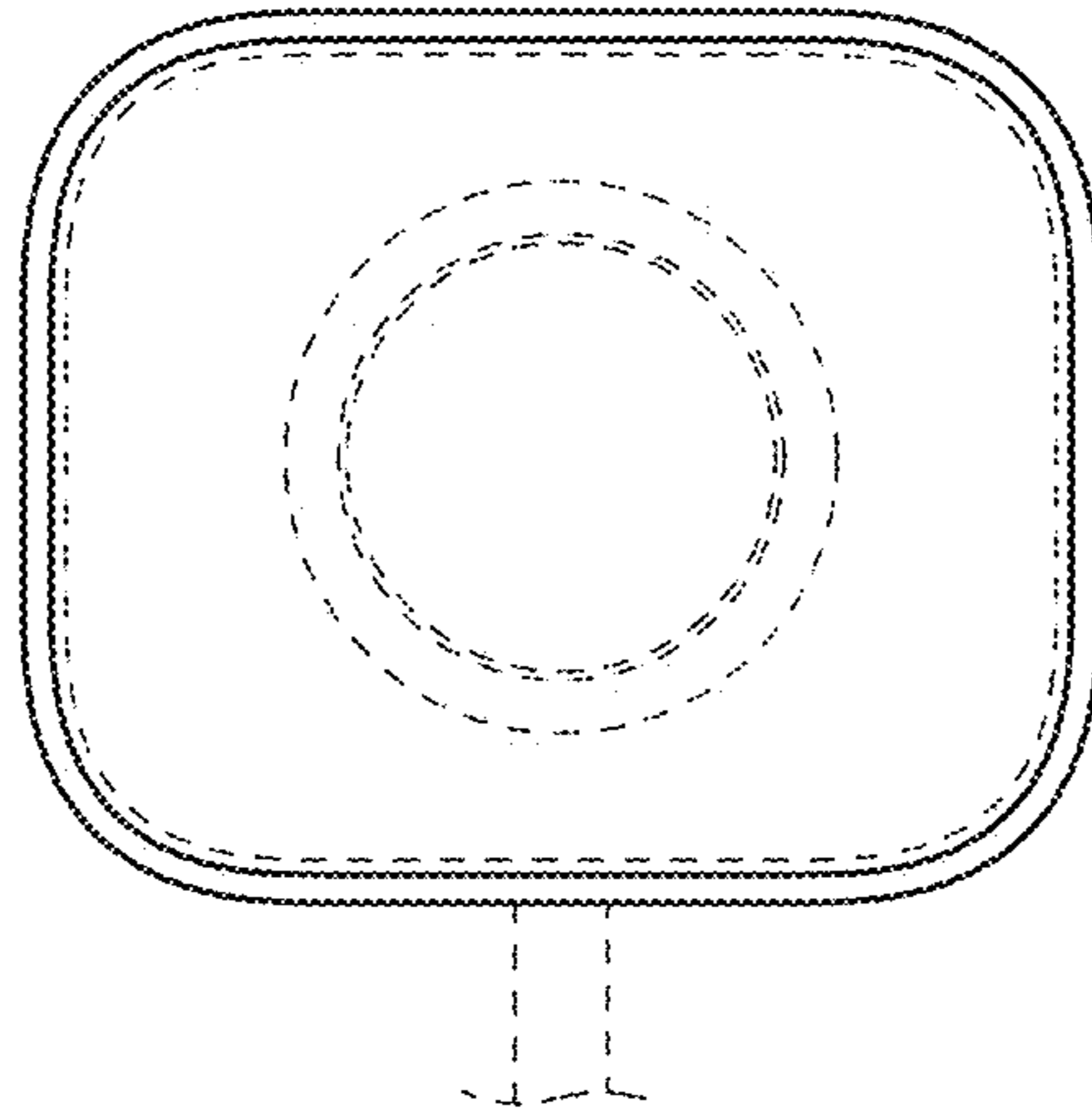


FIG. 3

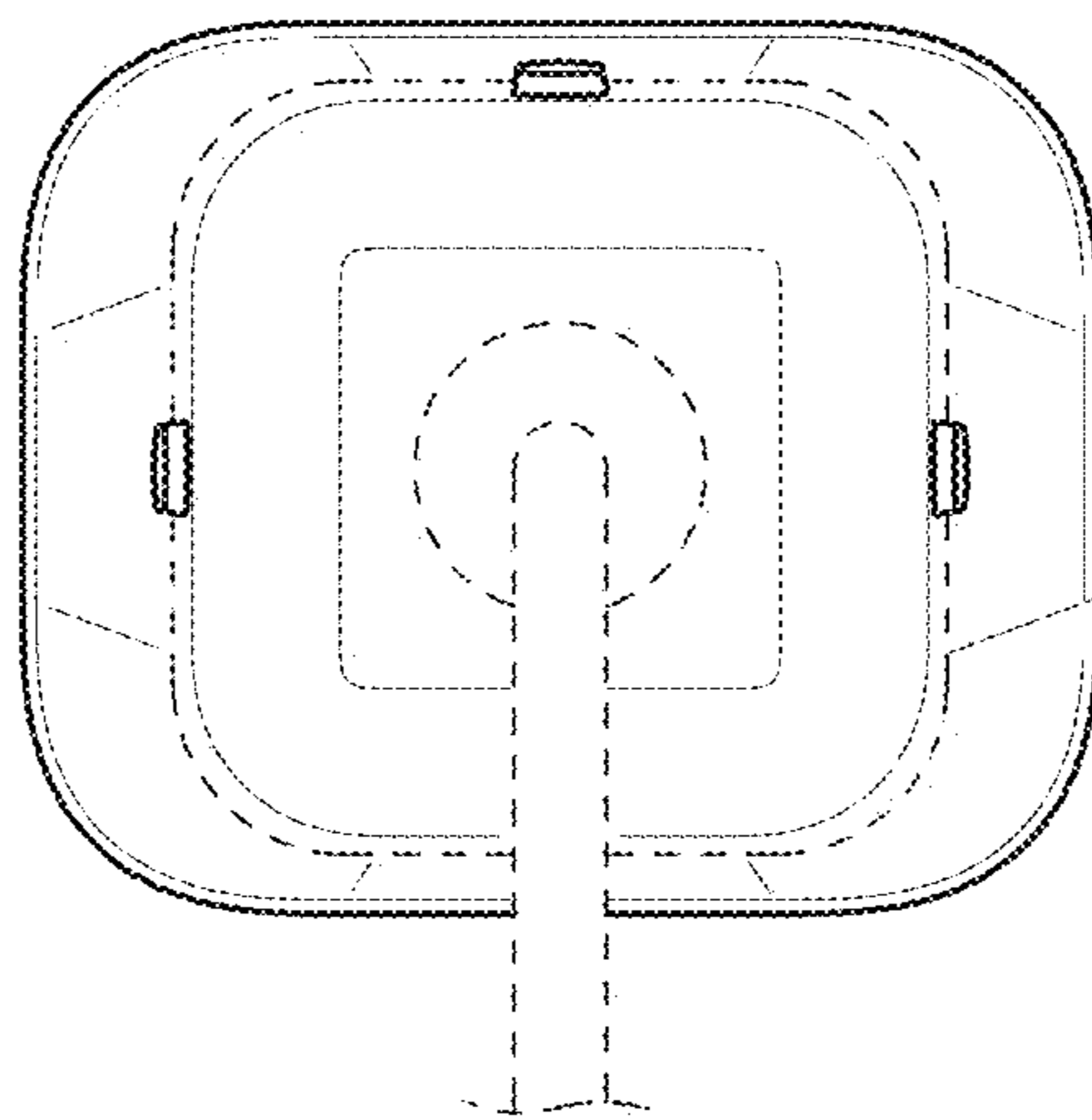


FIG. 4

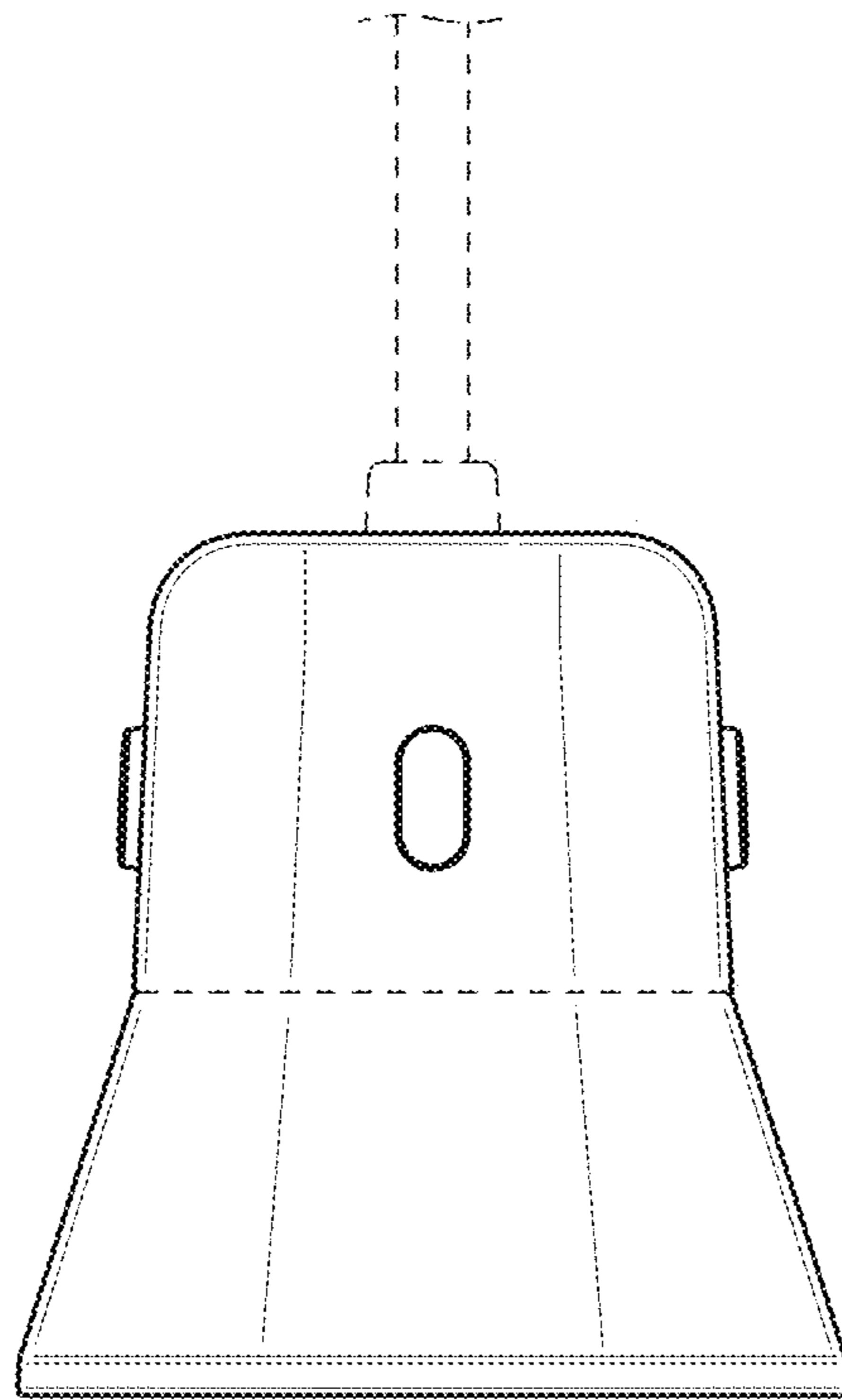


FIG. 5

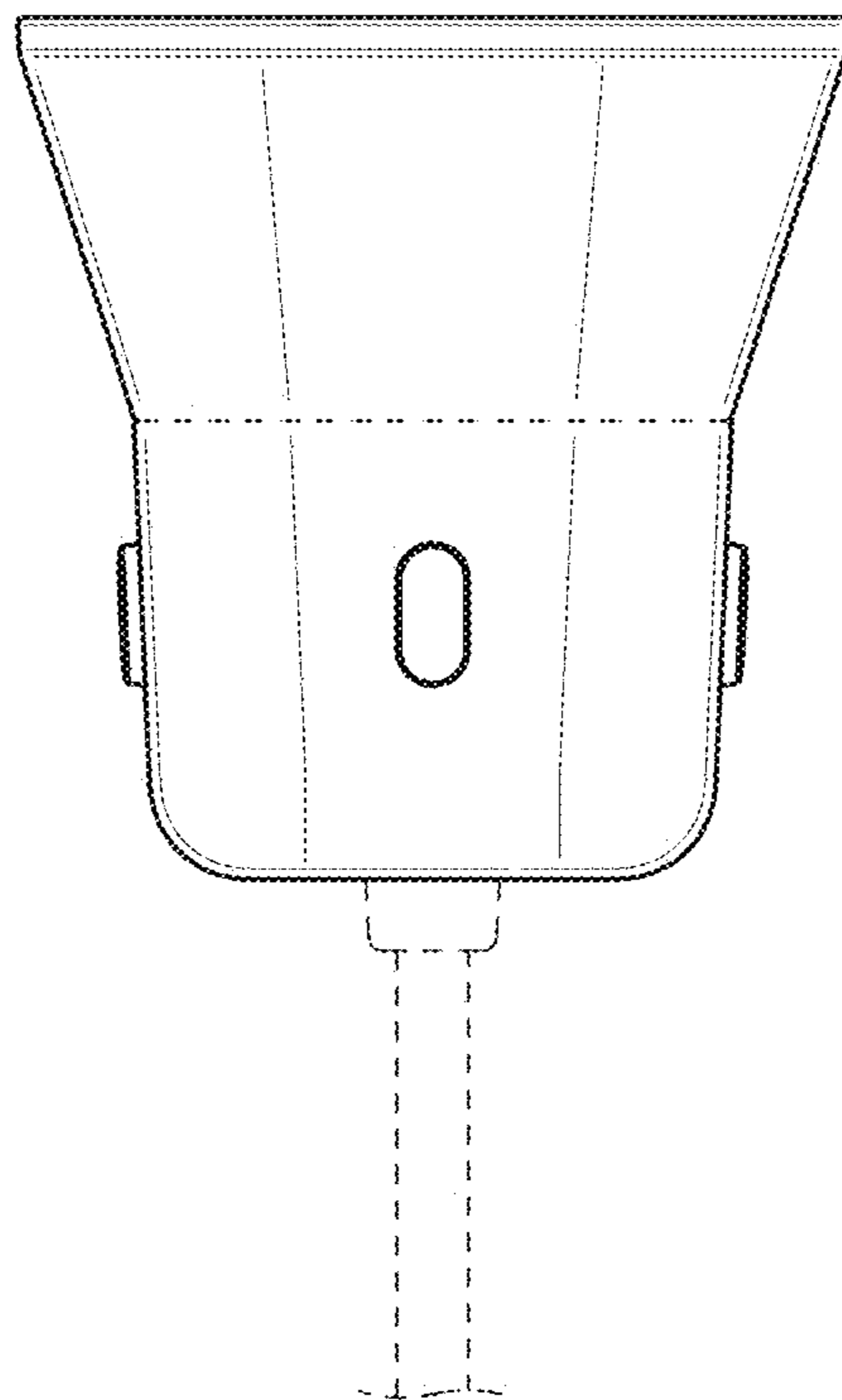


FIG. 6

