



US00D940779S

(12) **United States Design Patent**
Miller et al.

(10) **Patent No.:** **US D940,779 S**
(45) **Date of Patent:** **** Jan. 11, 2022**

(54) **CAMERA HOUSING**

(71) Applicant: **MOTOROLA SOLUTIONS, INC.**,
Chicago, IL (US)

(72) Inventors: **Quinci Miller**, Fort Lauderdale, FL
(US); **Andrew Stark**, Vacouver (CA);
Chi T Tran, Naperville, IL (US); **Ryan
Ma Nilsen**, Plantation, FL (US)

(73) Assignee: **MOTOROLA SOLUTIONS, INC.**,
Chicago, IL (US)

(**) Term: **15 Years**

(21) Appl. No.: **29/734,271**

(22) Filed: **May 11, 2020**

(51) **LOC (13) Cl.** **16-01**

(52) **U.S. Cl.**
USPC **D16/203; D16/200**

(58) **Field of Classification Search**
USPC D16/200, 202–206, 218, 219, 242;
348/143, 148, 151, 373–376; 396/419,
396/427, 535, 539–541
CPC G03B 17/02; G03B 19/04; G03B 17/56;
G03B 17/04; G03B 15/03; H04N 5/2251;
H04N 5/2252; H04N 5/2253; H04N
5/2254; H04N 7/181; H04N 7/183; H04N
7/18; G08B 13/1963; G08B 13/19619;
G08B 13/19632; F16M 11/04; F16M
13/00

See application file for complete search history.

(56) **References Cited**

U.S. PATENT DOCUMENTS

D446,801 S * 8/2001 Adachi D16/203
D543,224 S * 5/2007 Kato D16/203
7,221,402 B2 * 5/2007 Cheng H04N 5/2254
348/375
D606,572 S * 12/2009 Samson D16/203

D613,784 S * 4/2010 Wang D16/203
D614,222 S * 4/2010 Yamakawa D16/203
D633,543 S * 3/2011 Park D16/203
D668,282 S * 10/2012 Ohno D16/203
D730,420 S 5/2015 Janssen et al.
D732,100 S * 6/2015 Jeong D16/203
D739,888 S * 9/2015 Liang D16/203
D874,534 S * 2/2020 Matsuo D16/203
D896,297 S * 9/2020 Park D16/203
D911,414 S * 2/2021 Zheng D16/202

* cited by examiner

Primary Examiner — Ramzi Almatrahi

(74) *Attorney, Agent, or Firm* — Raguraman Kumaresan

(57) **CLAIM**

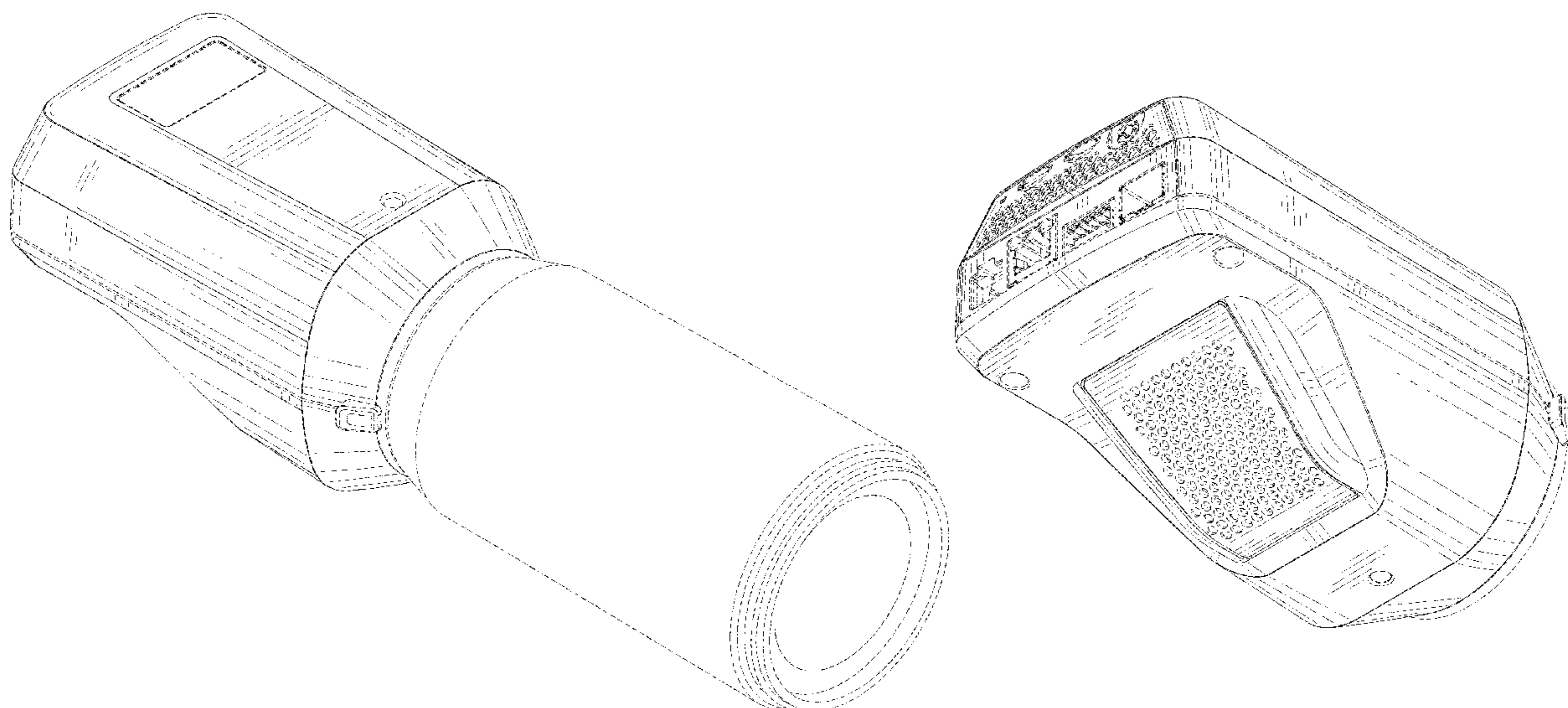
The ornamental design for a camera housing, as shown and described.

DESCRIPTION

FIG. 1 is a front perspective view of a camera housing shown in condition of use with a camera lens disclosed in broken lines to illustrate an environment; FIG. 2 is a front perspective view thereof, shown with the camera lens omitted for ease of illustration; FIG. 3 is a rear perspective view thereof; FIG. 4 is a front elevation view thereof; FIG. 5 is a rear elevation view thereof; FIG. 6 is a first side elevation view thereof; FIG. 7 is a second side elevation view thereof; FIG. 8 is a top plan view thereof; and, FIG. 9 is a bottom plan view thereof.

The broken lines depict portions of the camera housing in which the design is embodied that form no part of the claimed design. The broken lines shown which are immediately adjacent to the shaded areas represent the bounds of the claimed design and form no part of the claimed design. Additionally, the broken lines showing a camera lens in FIG. 1 represent environmental structure and form no part of the claimed design.

1 Claim, 9 Drawing Sheets



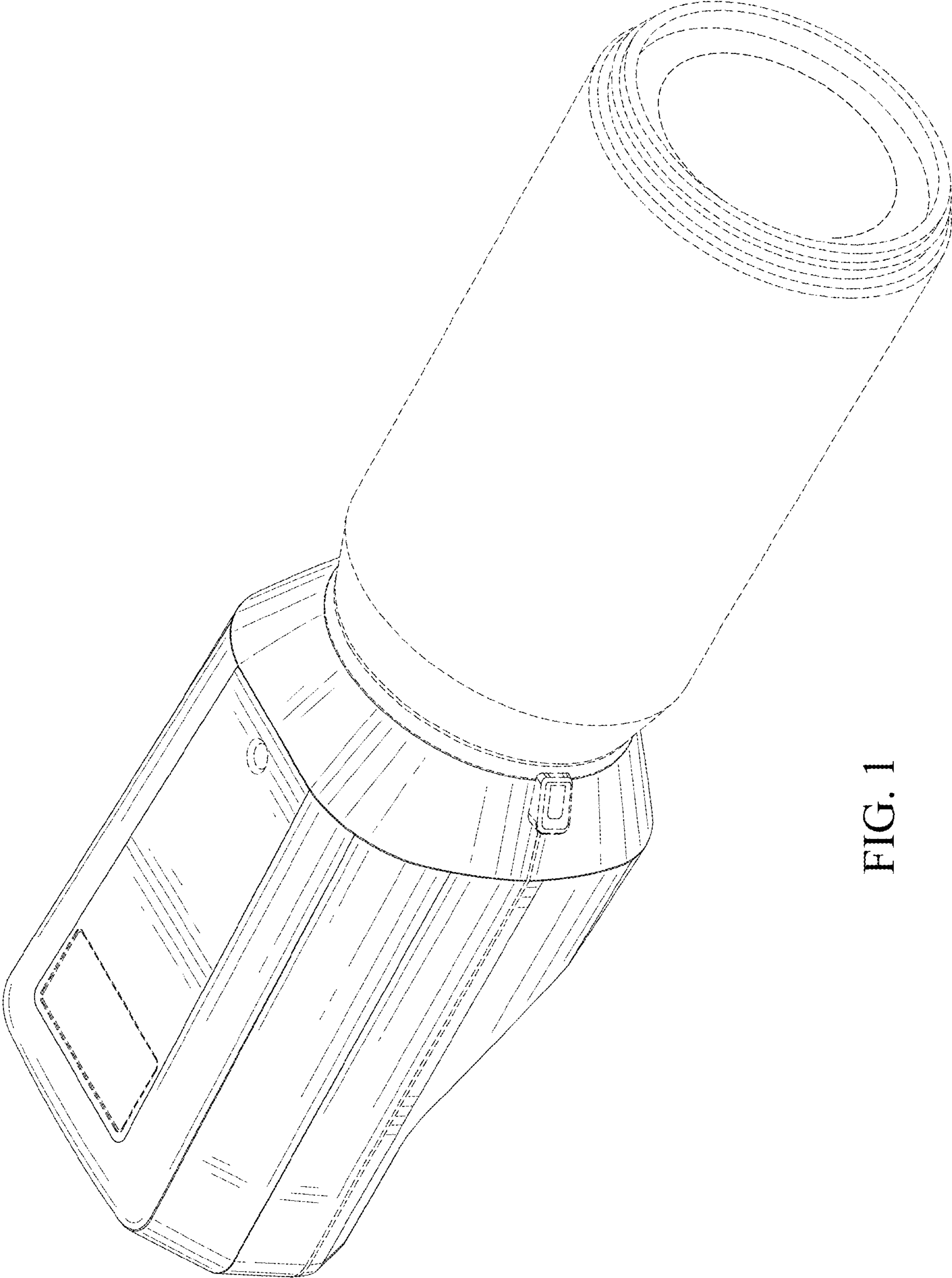


FIG. 1

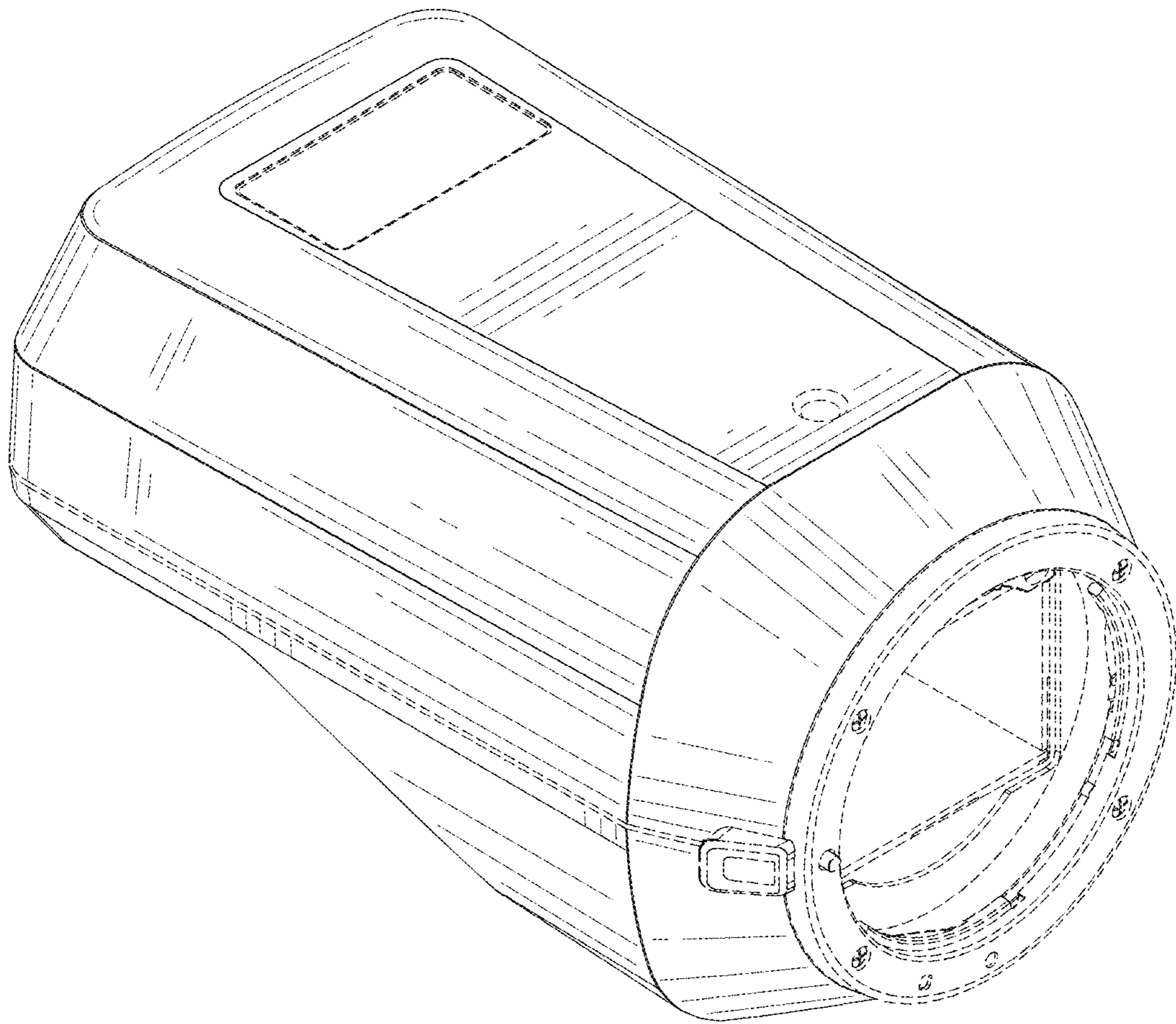


FIG. 2

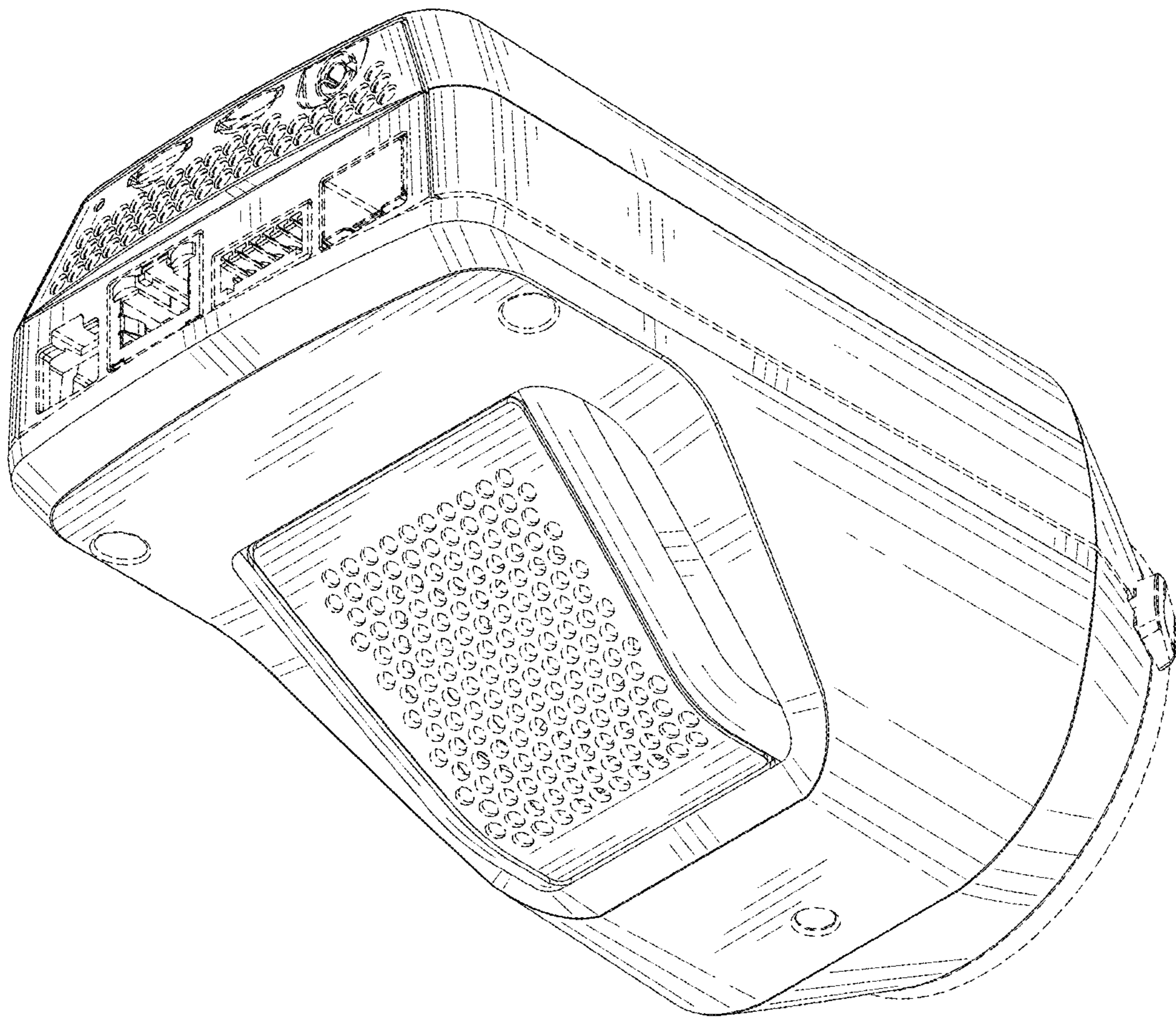


FIG. 3

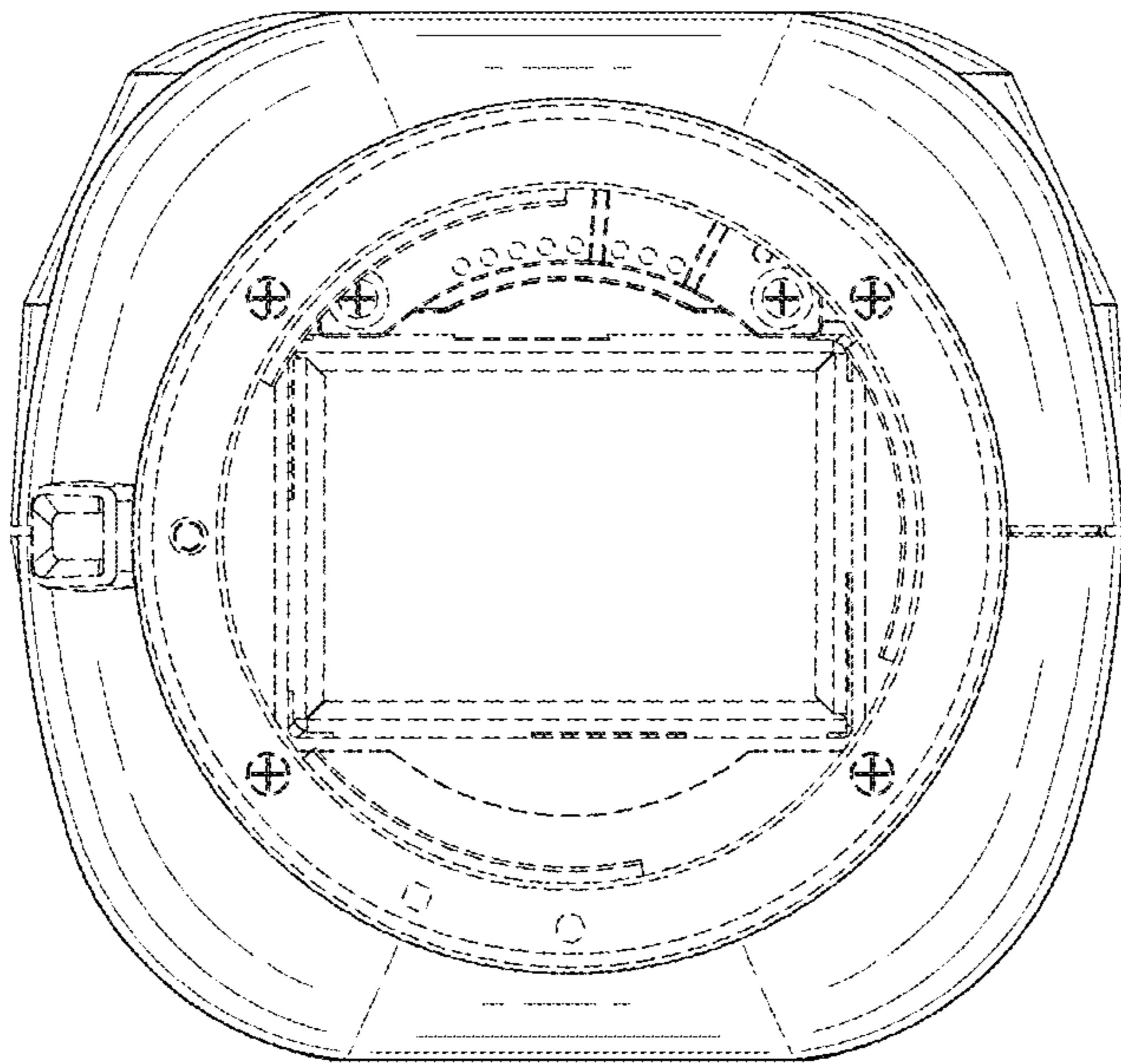


FIG. 4

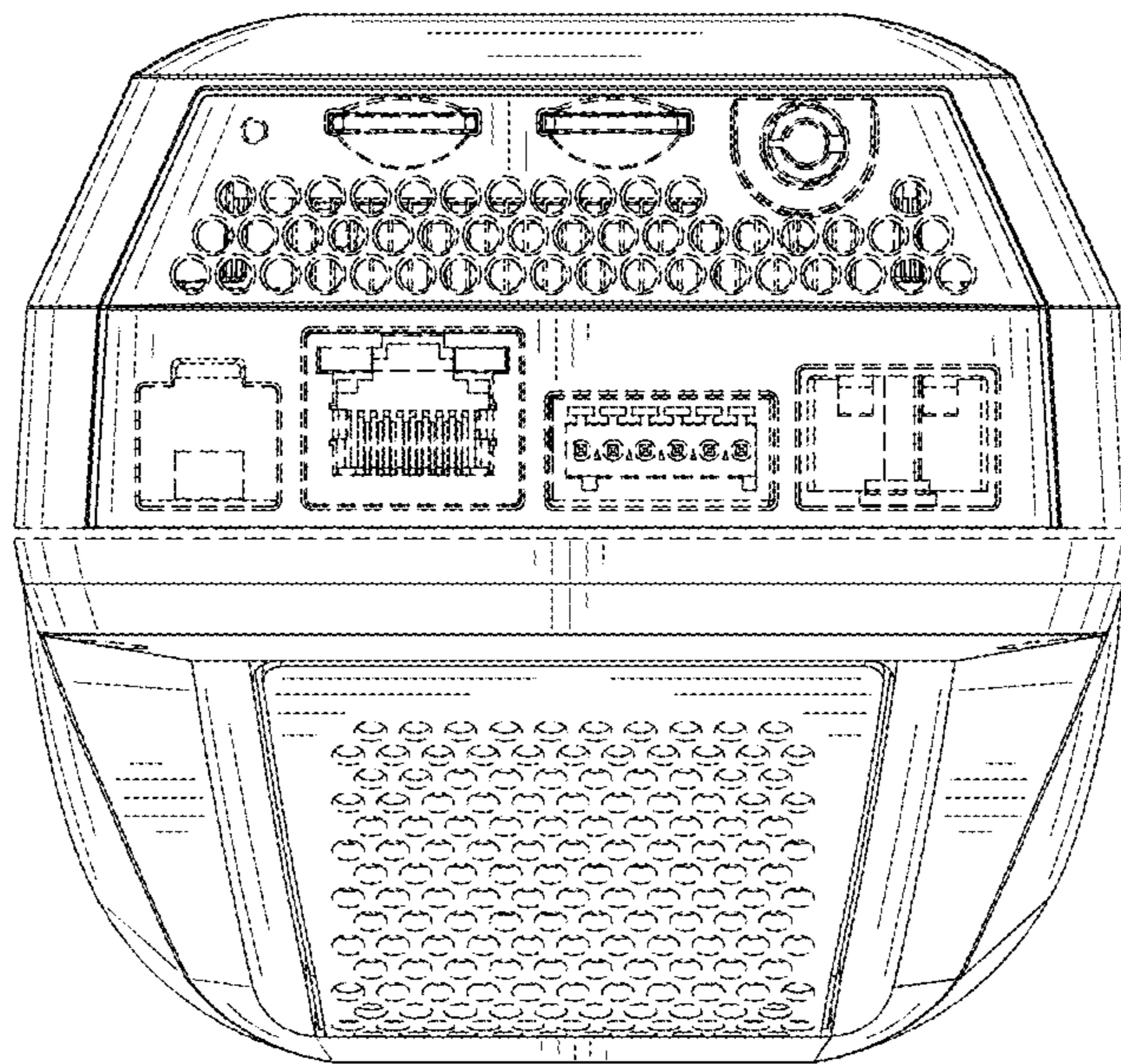


FIG. 5

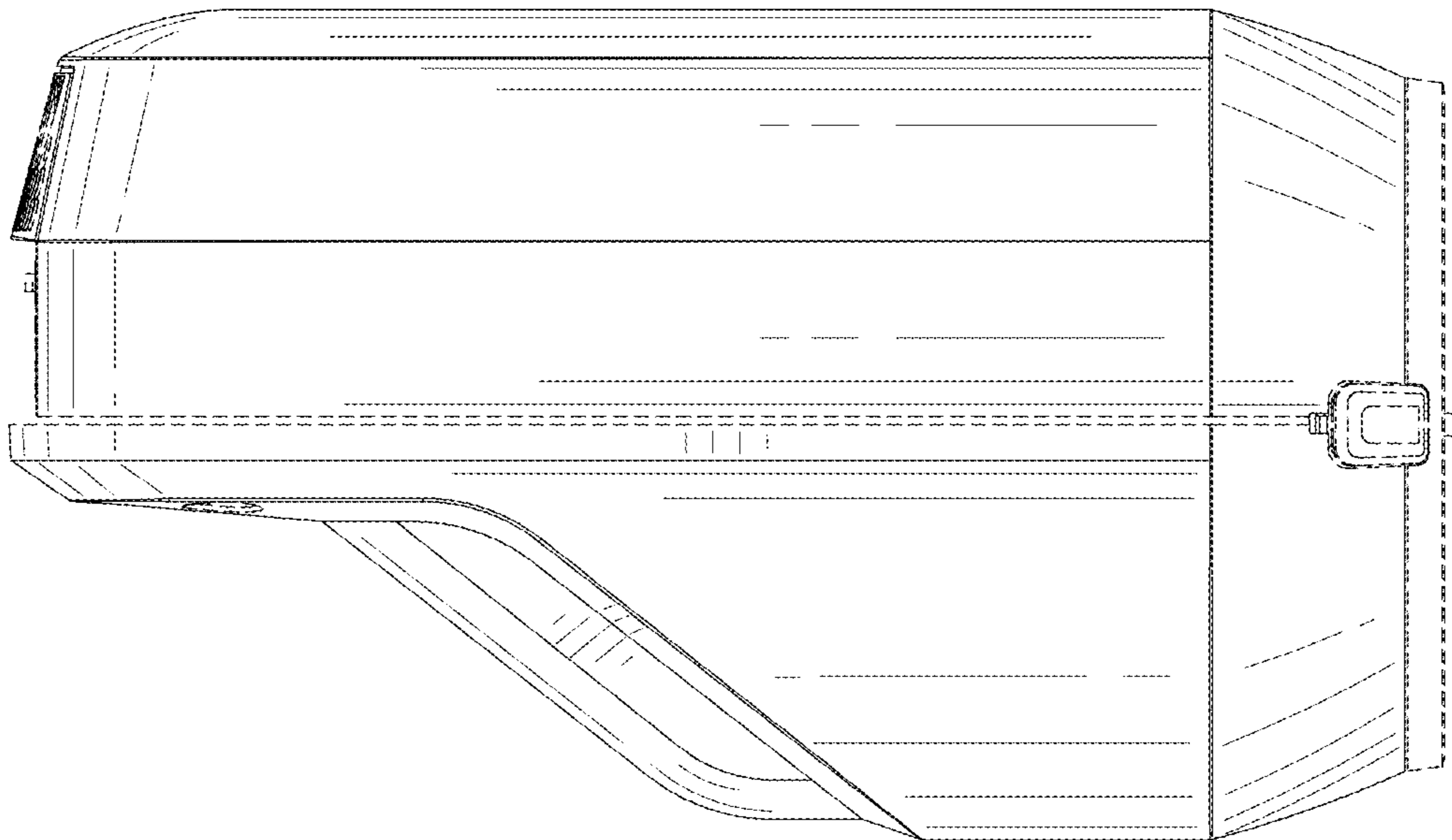


FIG. 6

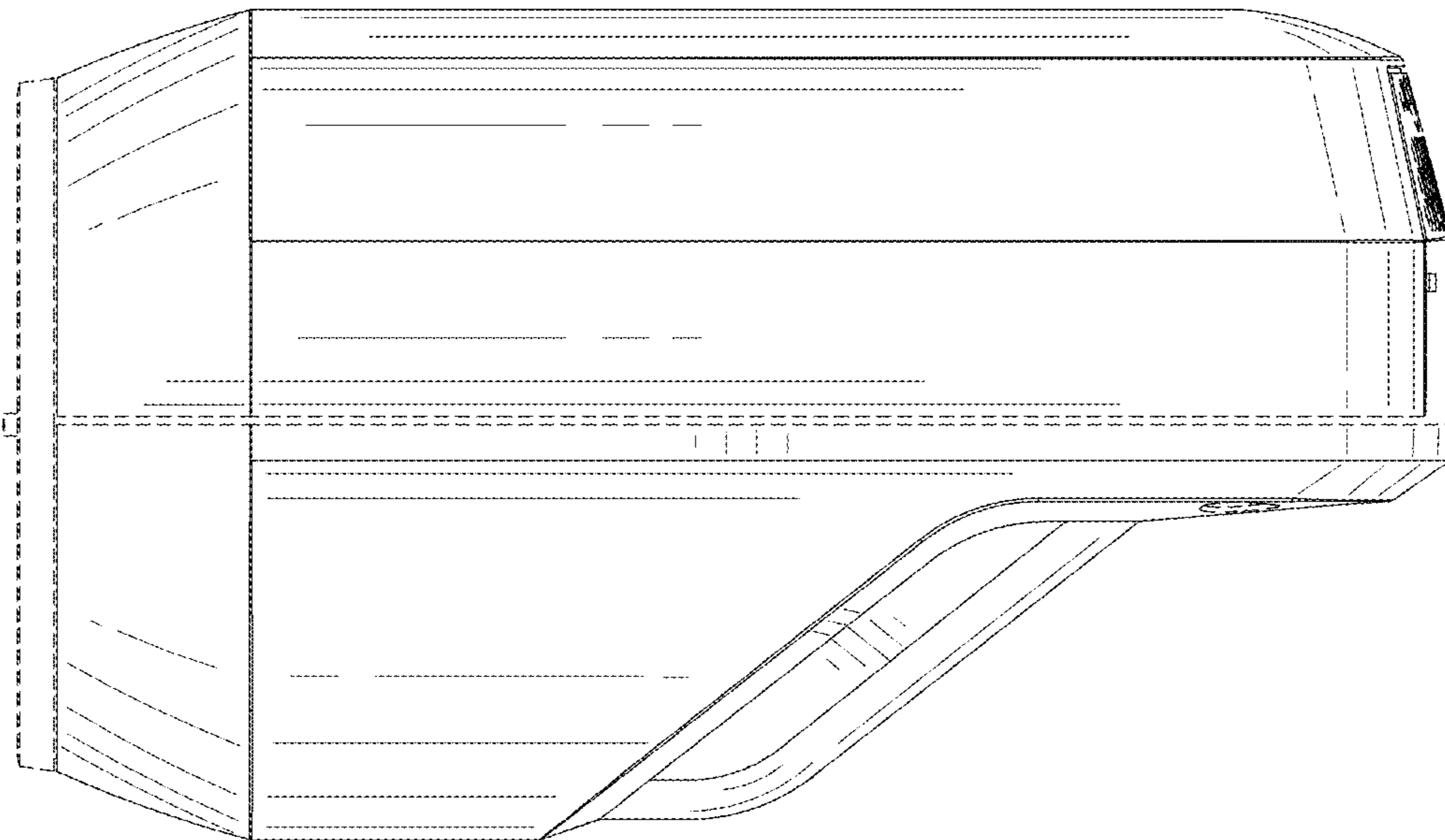


FIG. 7

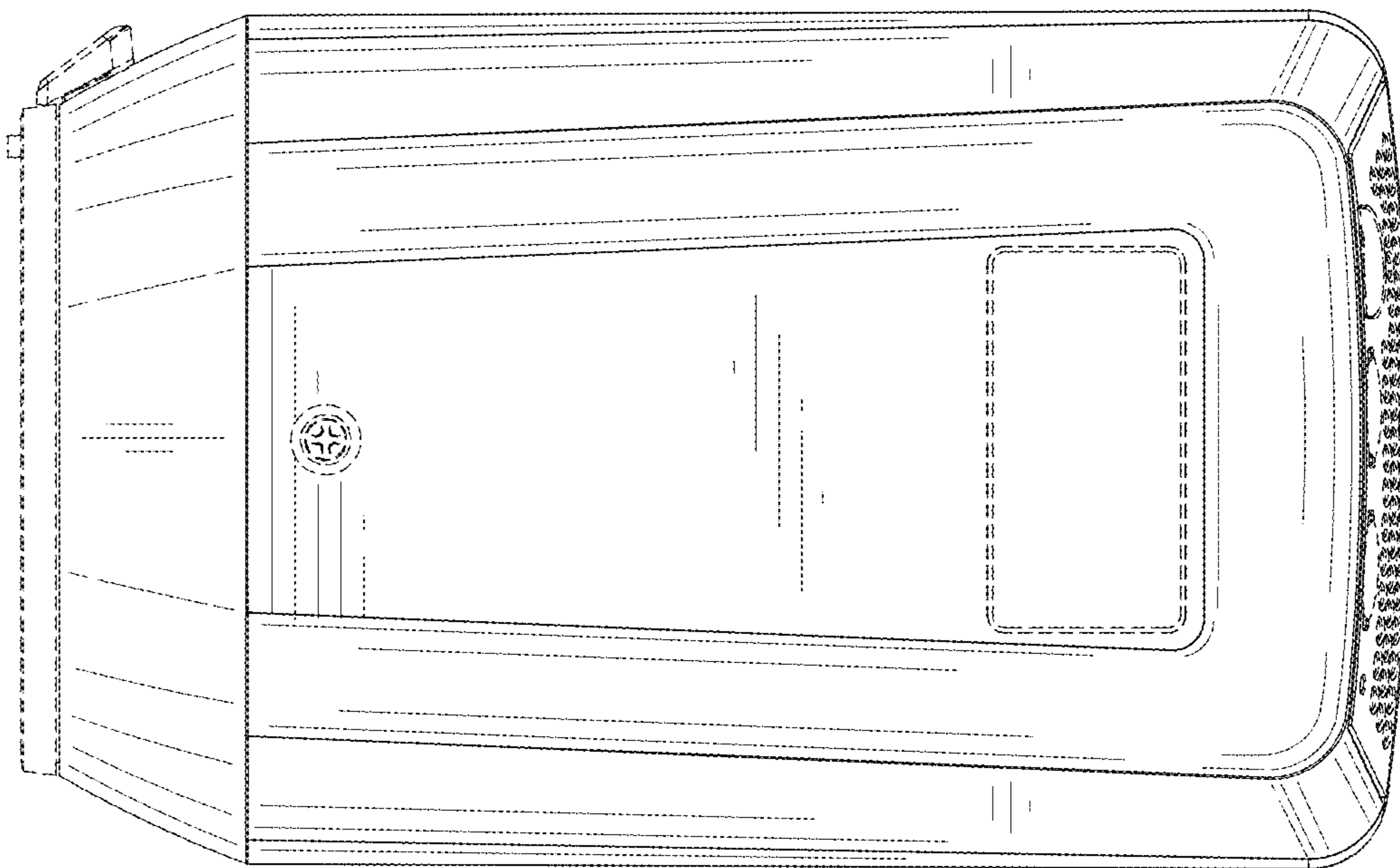


FIG. 8

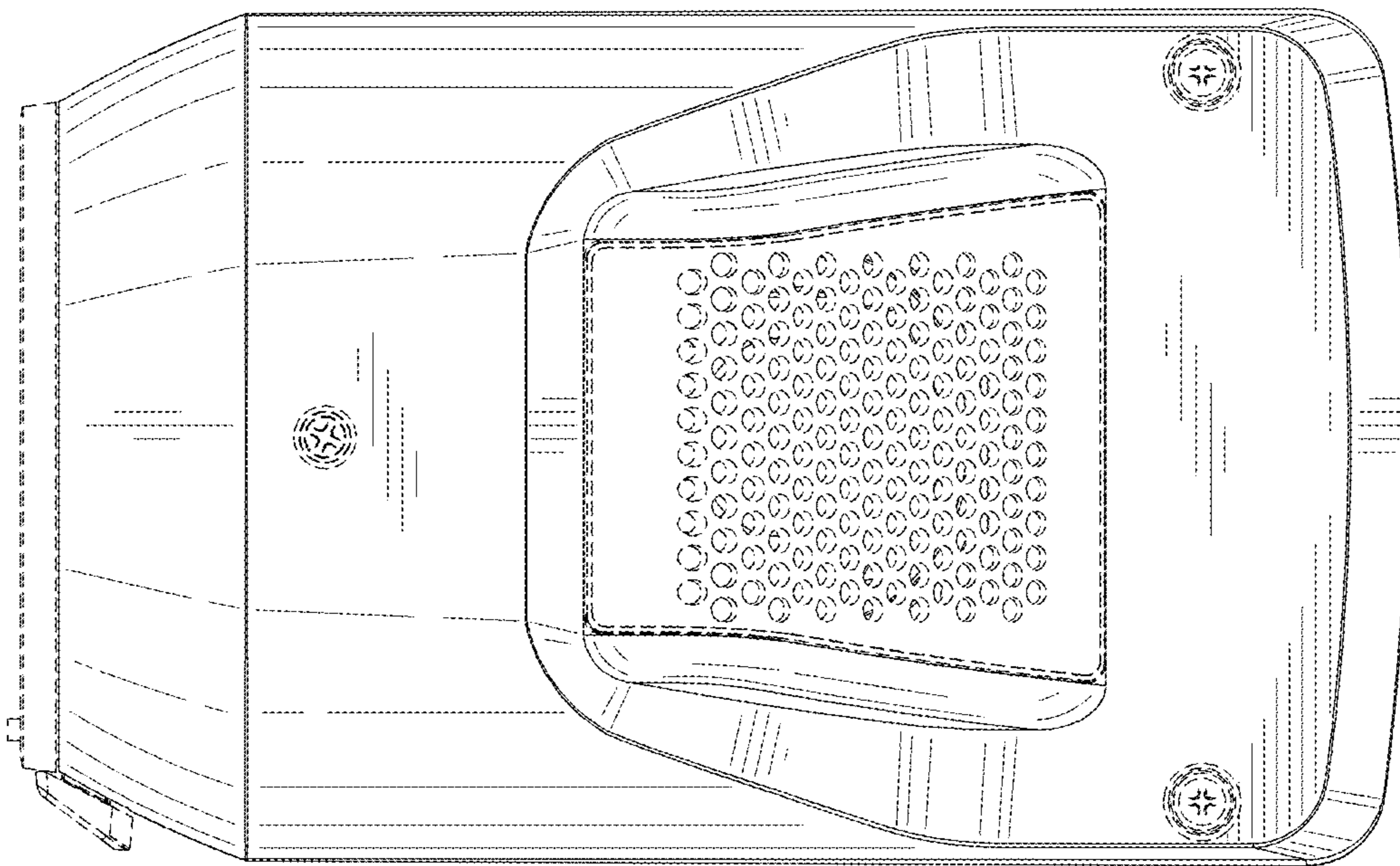


FIG. 9