



US00D940776S

(12) **United States Design Patent**
Gartrell et al.

(10) **Patent No.:** **US D940,776 S**

(45) **Date of Patent:** **** Jan. 11, 2022**

(54) **VIDEO CONFERENCING SYSTEM**

(71) Applicant: **Logitech Europe S.A.**, Lausanne (CH)

(72) Inventors: **Andrew Julian Gartrell**, Walnut Creek, CA (US); **Alan Smith**, Vancouver, WA (US); **Ricardo Filipe Figueiroa Monteiro**, San Francisco, CA (US)

(73) Assignee: **Logitech Europe S.A.**, Lausanne (CH)

(**) Term: **15 Years**

(21) Appl. No.: **29/787,018**

(22) Filed: **Jun. 3, 2021**

Related U.S. Application Data

(63) Continuation of application No. 29/722,745, filed on Jan. 31, 2020, now Pat. No. Des. 924,959.

(51) **LOC (13) Cl.** **16-01**

(52) **U.S. Cl.**

USPC **D16/202**

(58) **Field of Classification Search**

USPC D16/200, 202–203, 207, 208, 218, 219;
D14/203.1, 204, 209.1, 496, 497;
348/14.01–14.16, 373–376; 396/427,
396/535, 539–541

CPC G03B 17/02; G03B 19/04; G03B 17/56;
G03B 17/04; G03B 15/03; H04N 5/2251;
H04N 5/2252; H04N 5/2253; H04N
5/2254; H04N 2101/00; H04N 2007/145;
H04N 7/141; H04N 7/142; H04N 7/147;
H04N 7/148; H04N 7/15; H04N 7/152

See application file for complete search history.

(56) **References Cited**

U.S. PATENT DOCUMENTS

D651,229 S * 12/2011 Tan D16/202
D654,942 S * 2/2012 Khamsepoor D16/202

D665,439 S * 8/2012 Khamsepoor D16/202
D680,144 S * 4/2013 Tsai D16/202
D682,332 S * 5/2013 Wang D16/202
8,593,567 B2 * 11/2013 Xiao H04N 5/2251
348/373
D709,117 S * 7/2014 Gan D16/202
D800,201 S * 10/2017 Song D16/202
D849,089 S * 5/2019 Lu D16/202
D870,790 S * 12/2019 Depay D16/202

* cited by examiner

Primary Examiner — Ramzi Almatrahi

(74) *Attorney, Agent, or Firm* — Kilpatrick Townsend & Stockton LLP

(57) **CLAIM**

The ornamental design for a video conferencing system, as shown and described.

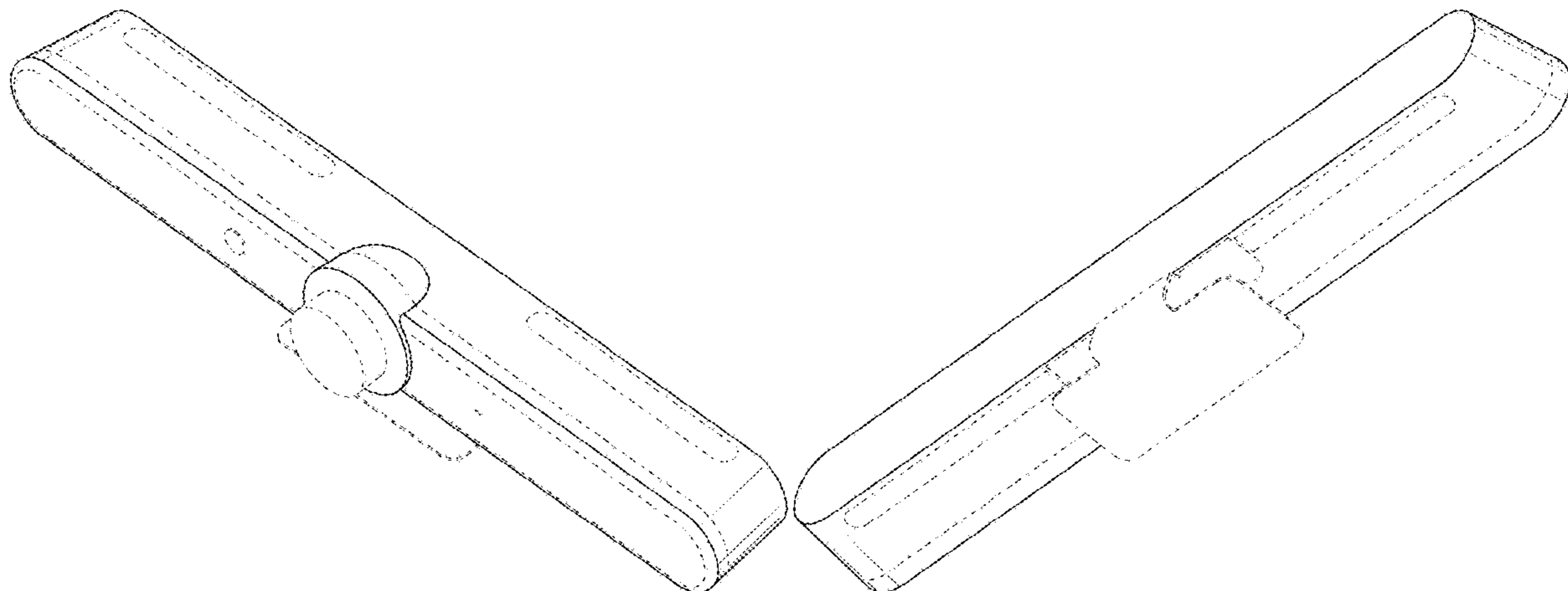
DESCRIPTION

FIG. 1 is a top perspective view of a video conferencing system showing our new design;
FIG. 2 is a bottom perspective view thereof;
FIG. 3 is a bottom perspective view thereof, shown with the stand omitted for ease of illustration;
FIG. 4 is a top plan view thereof;
FIG. 5 is a bottom plan view thereof, shown with the stand;
FIG. 6 is a front elevational view thereof;
FIG. 7 is a rear elevational view thereof;
FIG. 8 is a left side elevational view thereof; and,
FIG. 9 is a right side elevational view thereof.

The broken lines depict portions of the video conferencing system in which the design is embodied that form no part of the claimed design.

Additionally, the dash-dot-dot lines shown in FIG. 3 denote the boundary of the claim and form no part of the claimed design.

1 Claim, 6 Drawing Sheets



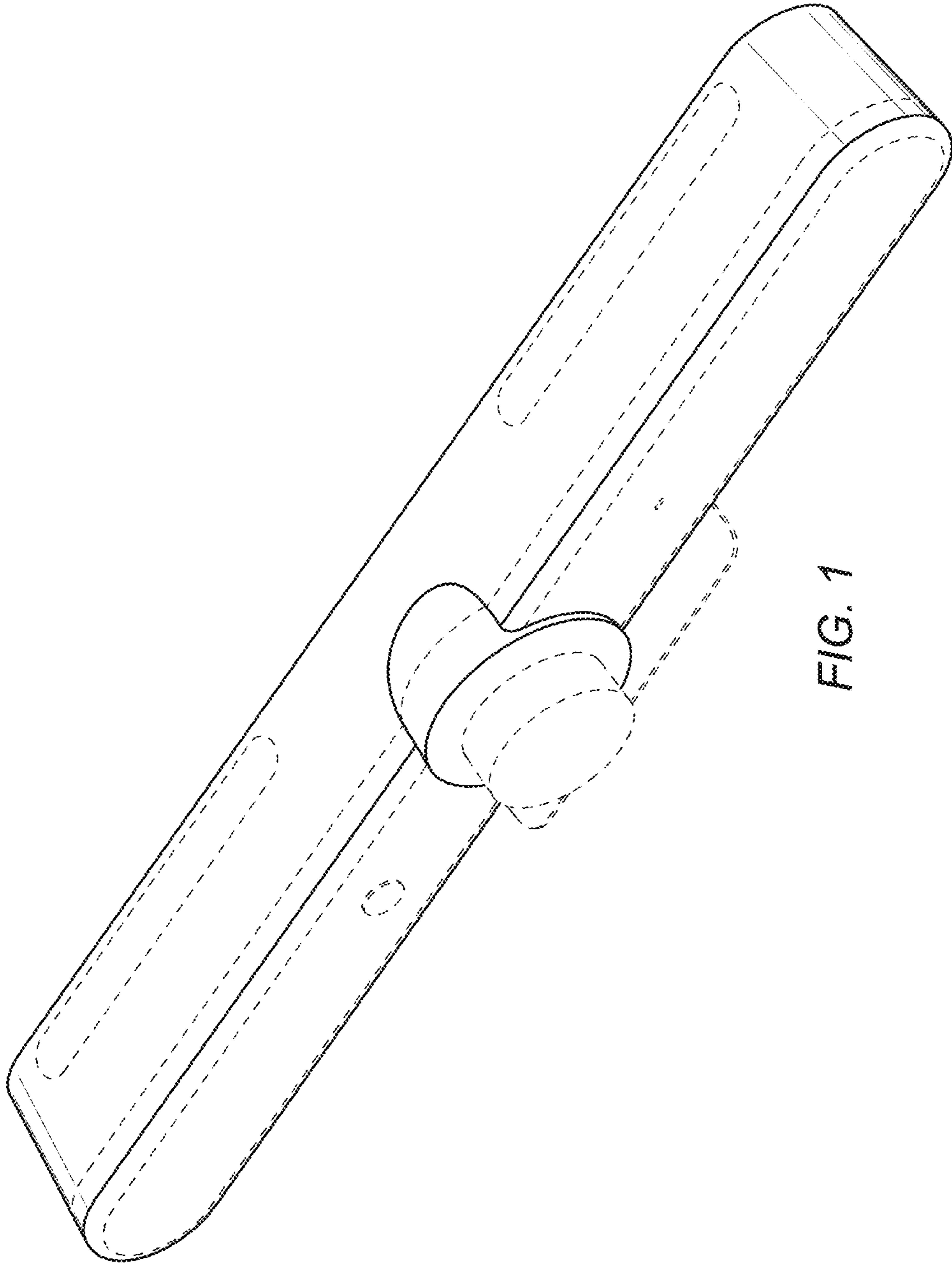


FIG. 1

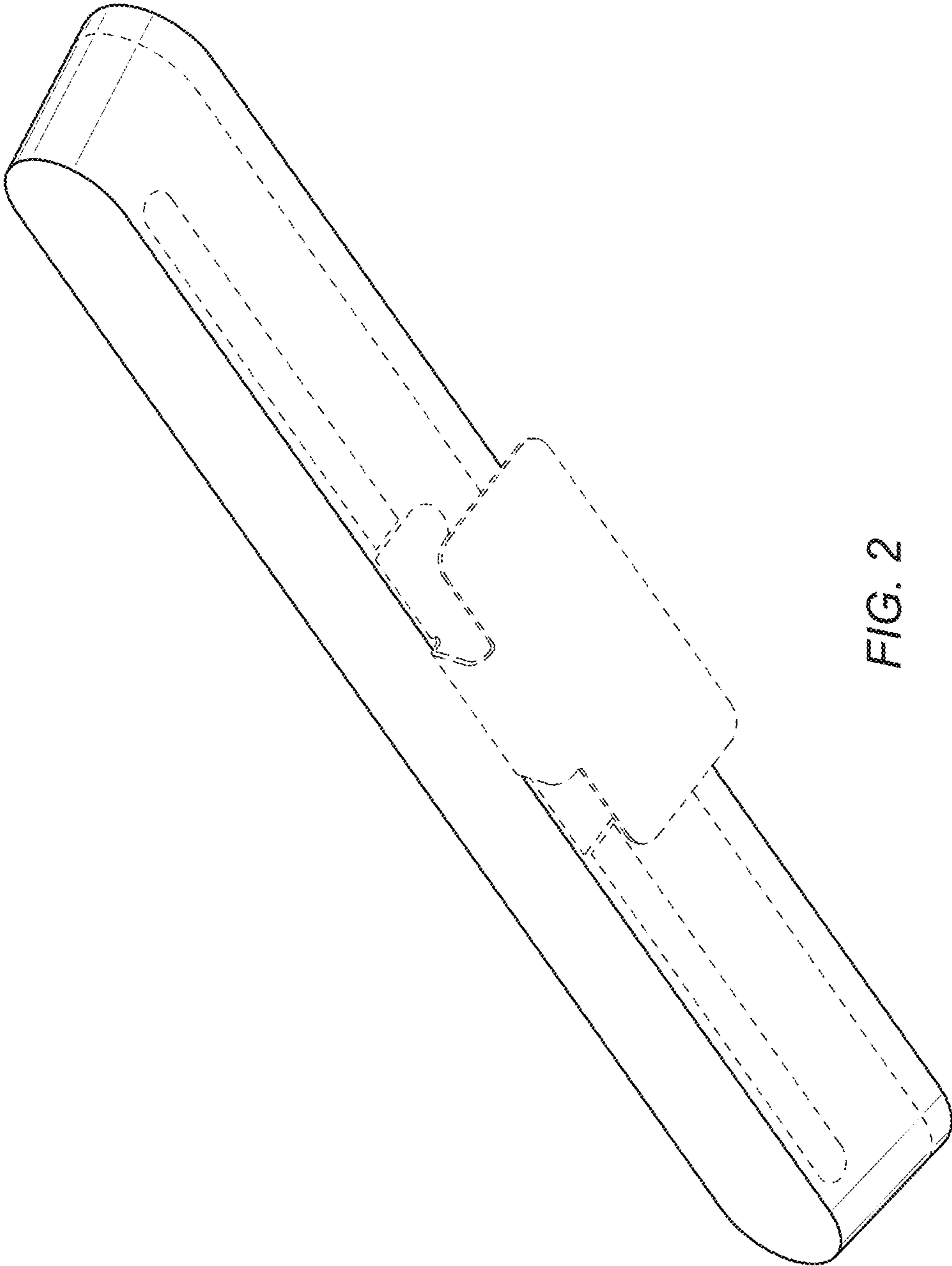


FIG. 2

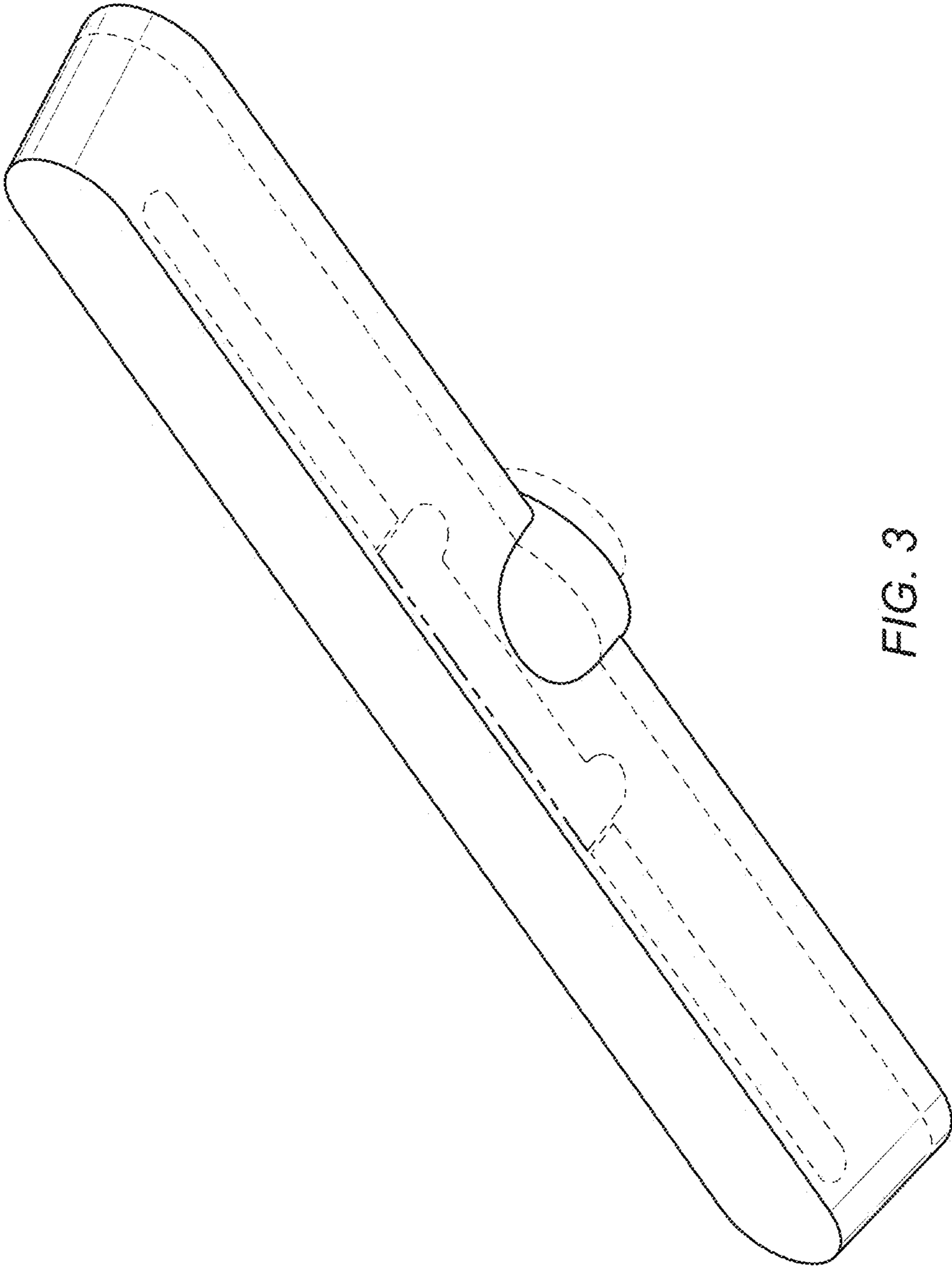


FIG. 3

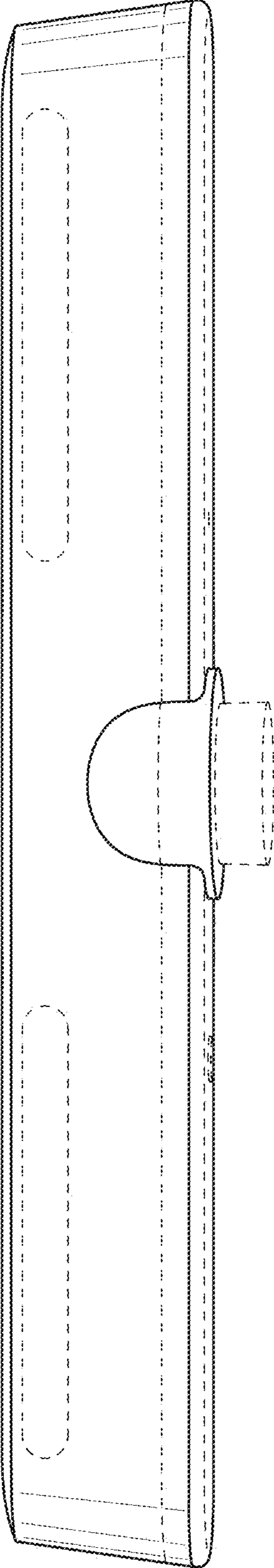


FIG. 4

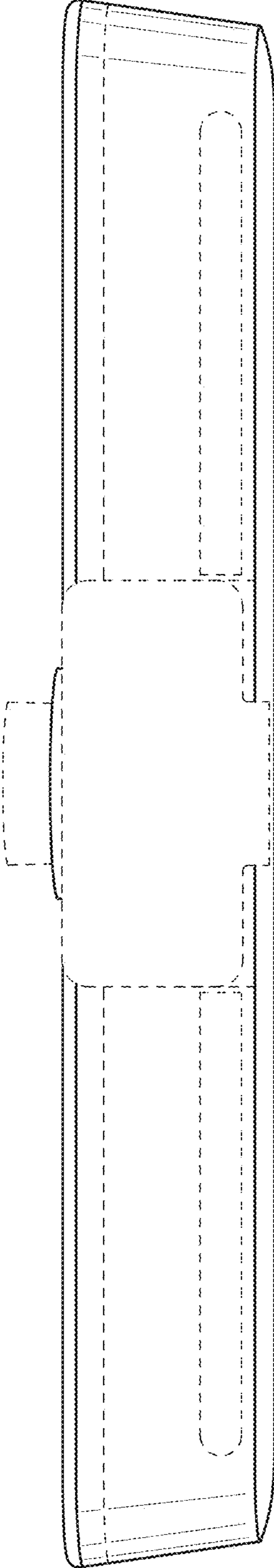


FIG. 5

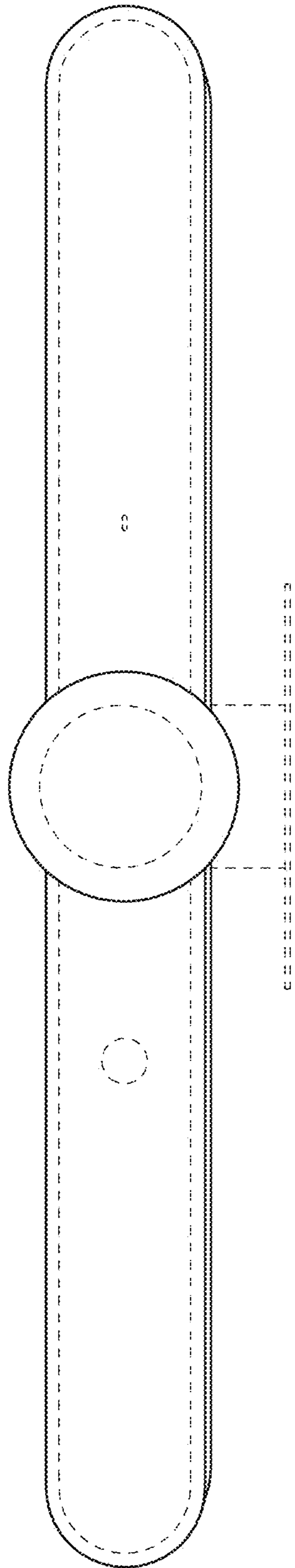


FIG. 6

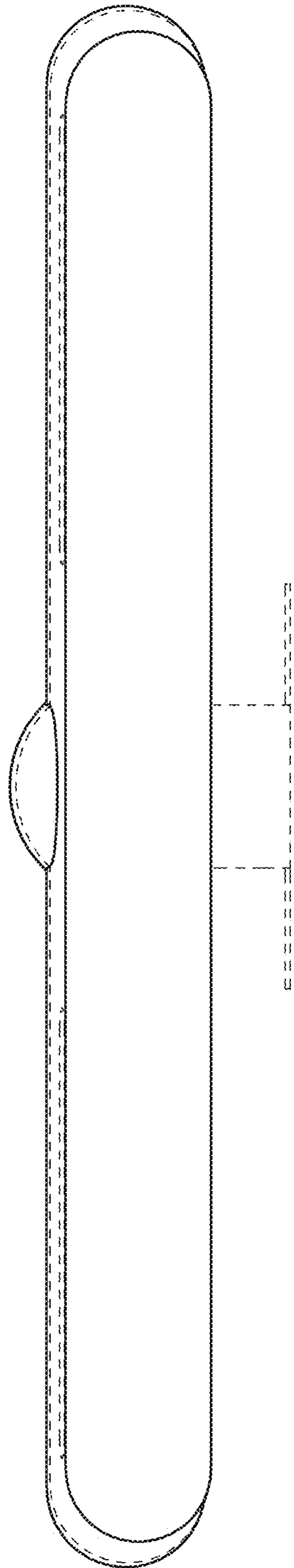


FIG. 7

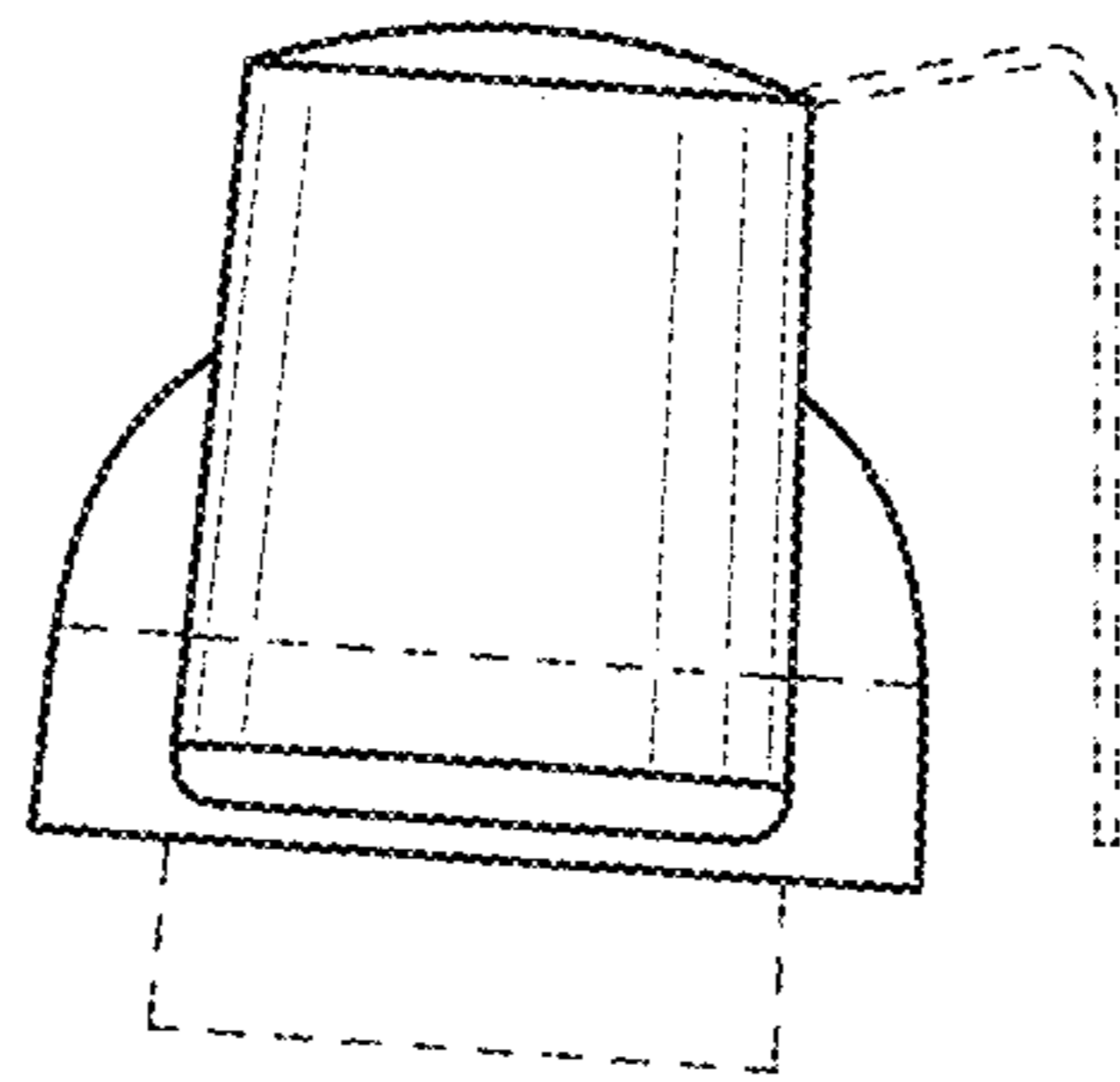


FIG. 9

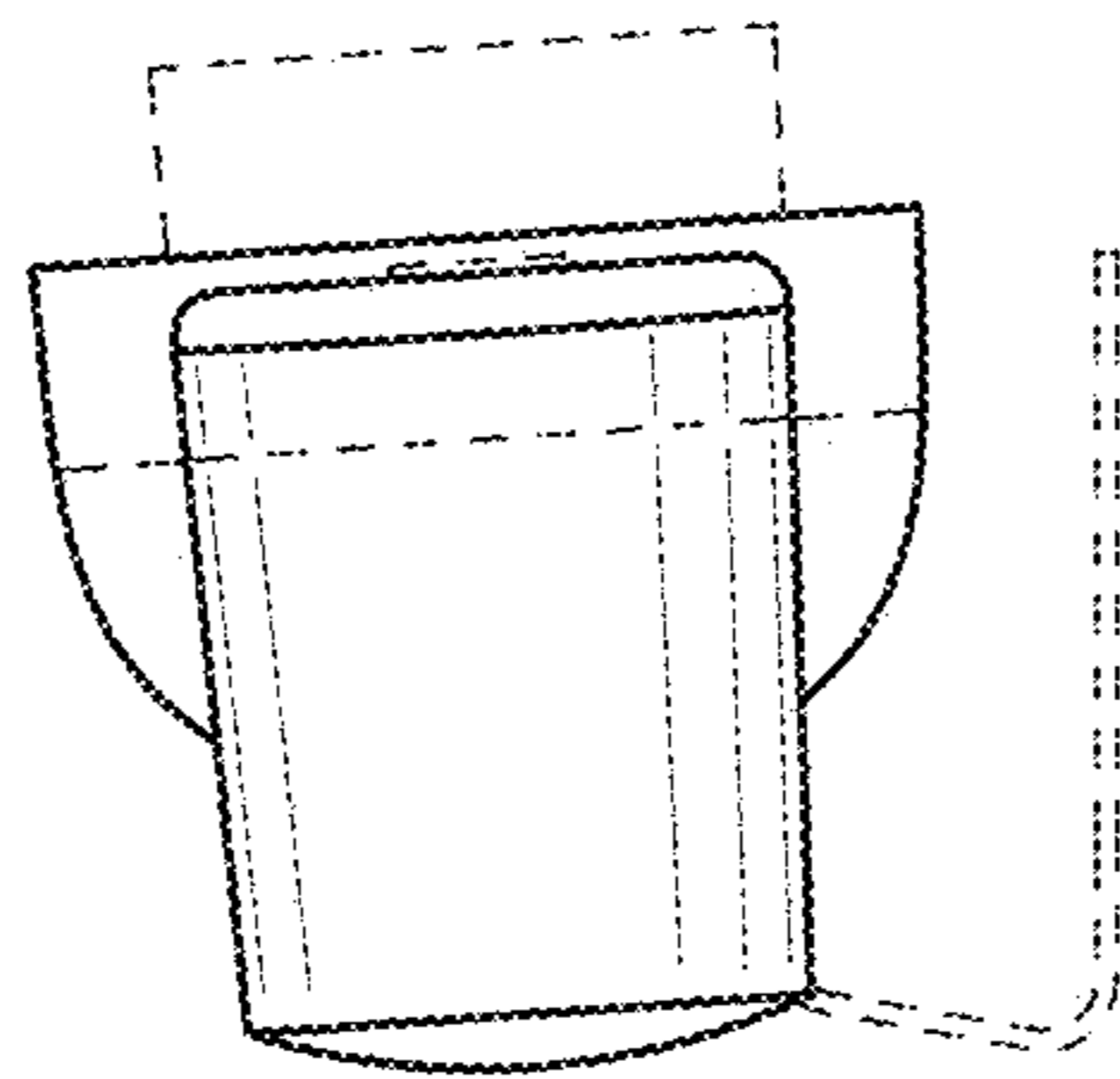


FIG. 8