



US00D940775S

(12) **United States Design Patent**
Moshier et al.

(10) **Patent No.:** **US D940,775 S**
(45) **Date of Patent:** **** Jan. 11, 2022**

(54) **PORTABLE CAMERA**

(71) Applicant: **Arrowsight Sentinel, Inc.**, Huntsville, AL (US)

(72) Inventors: **Mark W. Moshier**, Huntsville, AL (US); **Matthew W. Moshier**, Huntsville, AL (US); **Dalton S. Langston**, Huntsville, AL (US); **Jeffrey S. George**, Gladstone, MI (US); **Jacob N. Vickers**, Huntsville, AL (US)

(**) Term: **15 Years**

(21) Appl. No.: **29/637,445**

(22) Filed: **Feb. 19, 2018**

(51) **LOC (13) Cl.** **16-01**

(52) **U.S. Cl.**
USPC **D16/200**

(58) **Field of Classification Search**
USPC D16/200, 202–204, 208, 211, 218, 219, D16/237, 242; D3/263, 267, 268, 276, D3/279; 248/176.1, 187.1; 348/81, 360, 348/373–376, 835; 396/25, 27–29, 419, 396/535, 539–541

CPC G03B 15/03; G03B 17/02; G03B 17/04; G03B 17/08; G03B 17/56; G03B 19/04; H04N 5/2251; H04N 5/2252; H04N 5/2253; H04N 5/2254; A45C 11/38

See application file for complete search history.

(56) **References Cited**

U.S. PATENT DOCUMENTS

D419,296 S * 1/2000 Shinano D16/204
D439,407 S 3/2001 Parker
D453,177 S * 1/2002 Uehara D16/202
D621,432 S * 8/2010 Yim D16/204
D646,313 S * 10/2011 Woodman D16/200
D657,808 S * 4/2012 Woodman D16/200

D674,428 S * 1/2013 Woodman D16/218
D699,947 S * 2/2014 To D3/294
D702,277 S * 4/2014 Woodman D16/219
D702,747 S * 4/2014 Woodman D16/200
D725,169 S * 3/2015 Gioscia D16/200
D740,868 S * 10/2015 Gioscia D16/200
D750,146 S * 2/2016 Costa D16/200
D750,680 S * 3/2016 Chen D16/200
D763,941 S * 8/2016 Smith D16/200
D776,741 S * 1/2017 Parfitt D16/204
D778,335 S * 2/2017 Gioscia D16/200
D785,697 S * 5/2017 Costa D16/242
D810,432 S 2/2018 Ballou et al.
D810,433 S 2/2018 Ballou et al.
D811,084 S 2/2018 Ballou et al.
D811,742 S 3/2018 Ballou et al.
D811,744 S 3/2018 Ballou et al.

* cited by examiner

Primary Examiner — Ramzi Almatrahi

(74) *Attorney, Agent, or Firm* — Bush Intellectual Property Law; Kenneth M. Bush

(57) **CLAIM**

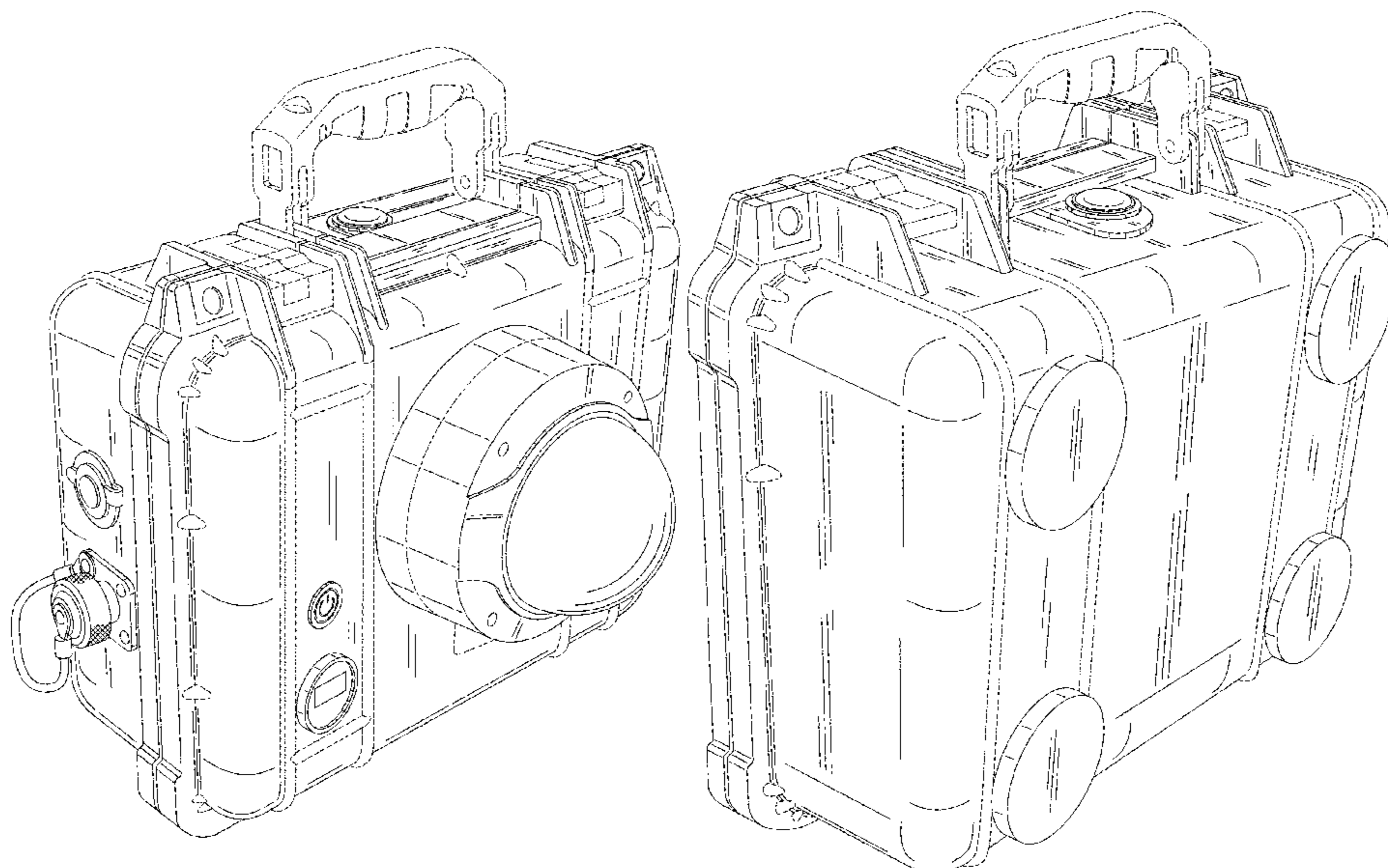
We claim the ornamental design for a portable camera, as shown and described.

DESCRIPTION

FIG. 1 is a top, front, left side perspective view of a portable camera showing our new design;
FIG. 2 is a top, rear, right side perspective view thereof;
FIG. 3 is a front elevation view thereof;
FIG. 4 is a rear elevation view thereof;
FIG. 5 is a left side elevation view thereof;
FIG. 6 is a right side elevation view thereof;
FIG. 7 is a top plan view thereof; and,
FIG. 8 is a bottom plan view thereof.

The broken lines depict portions of the portable camera in which the design is embodied that form no part of the claimed design.

1 Claim, 8 Drawing Sheets



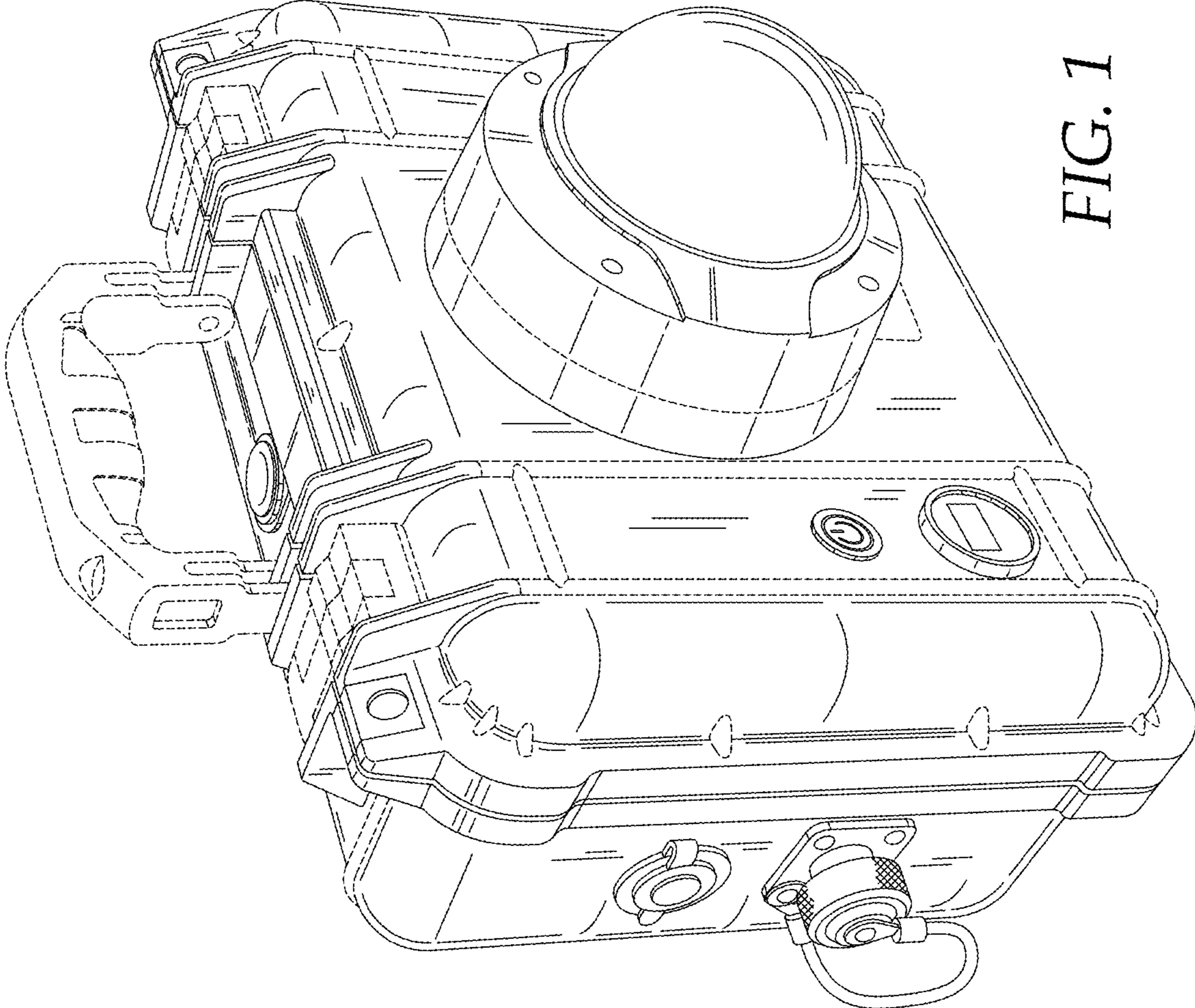


FIG. 1

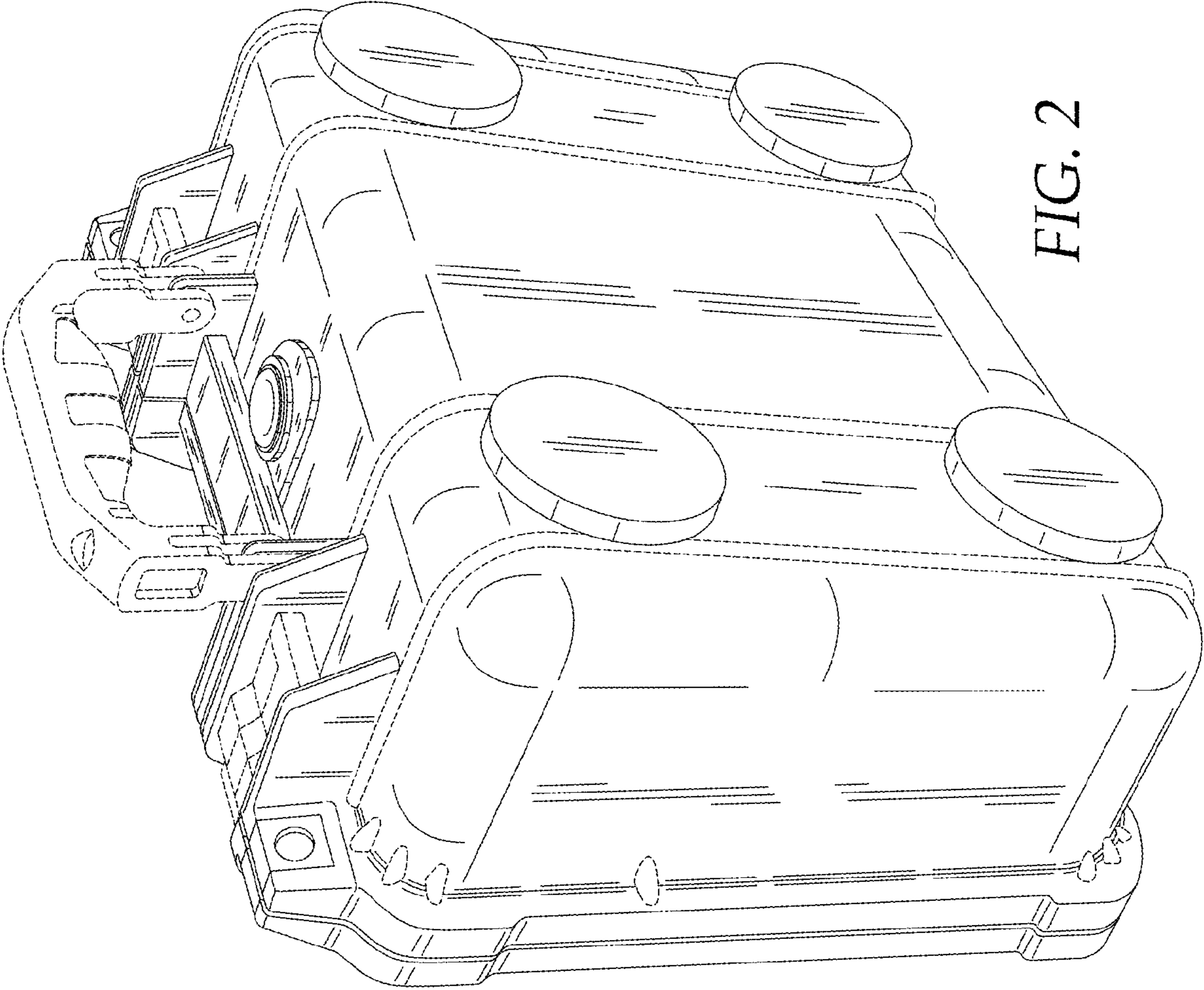


FIG. 2

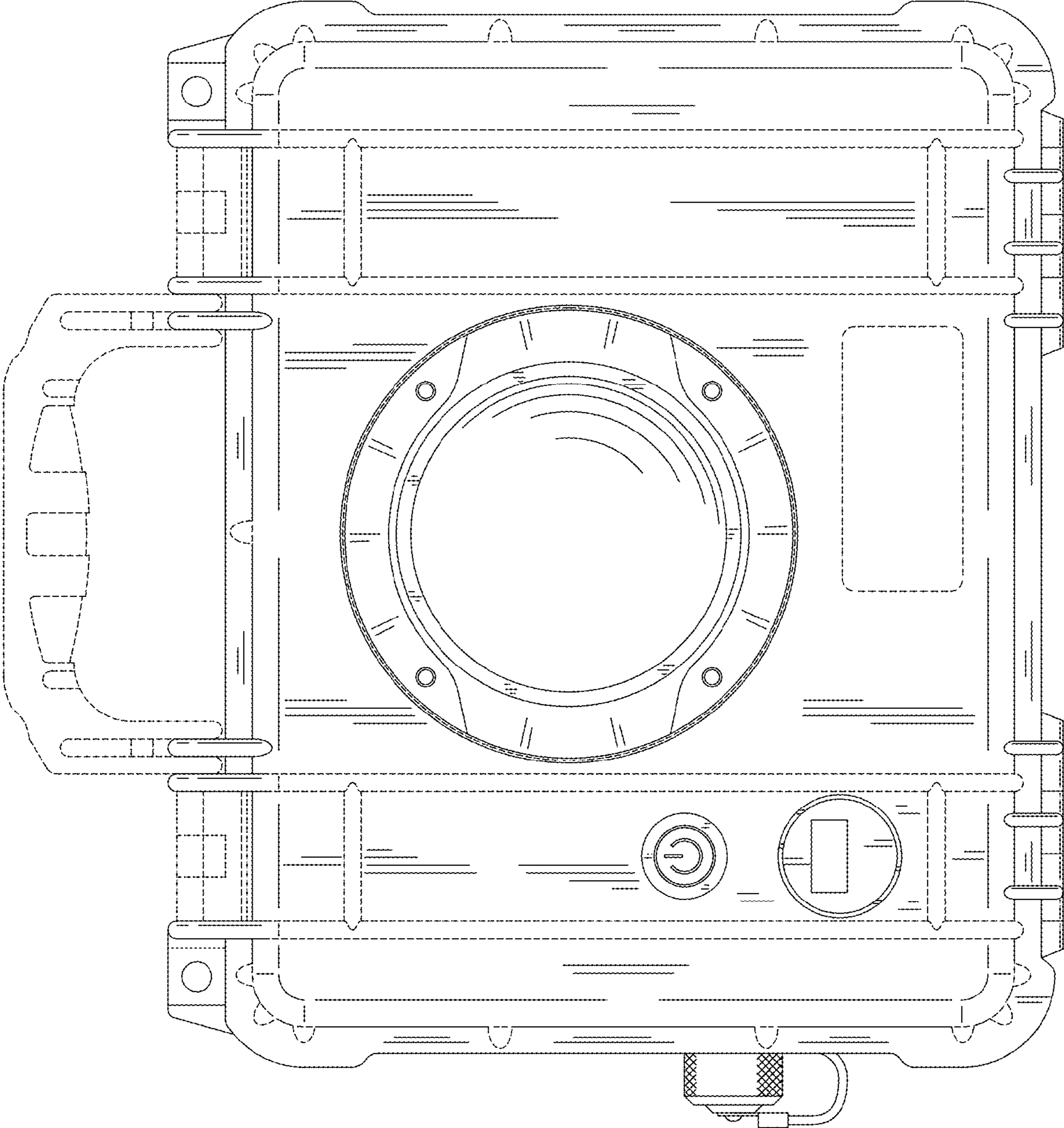


FIG. 3

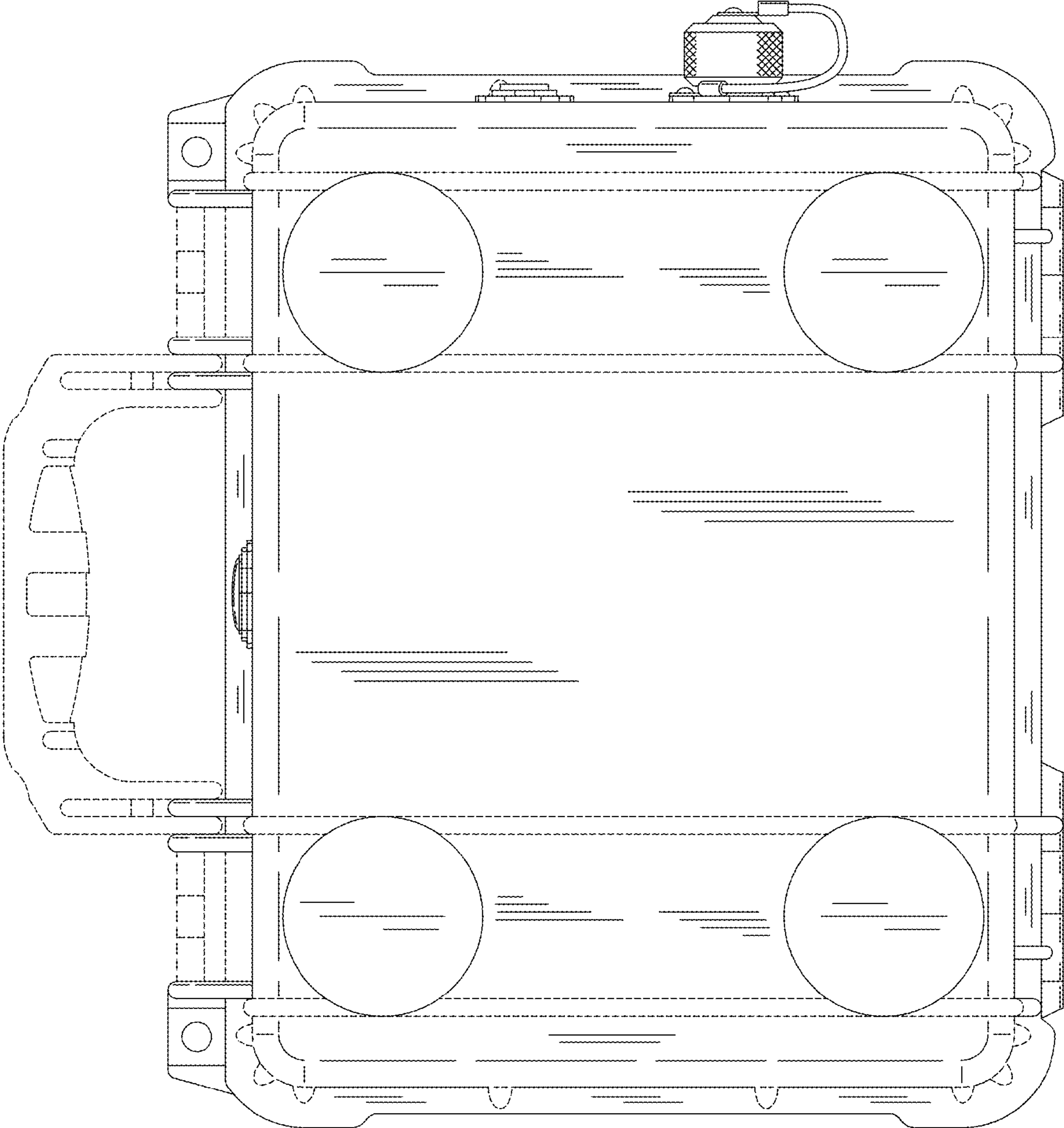


FIG. 4

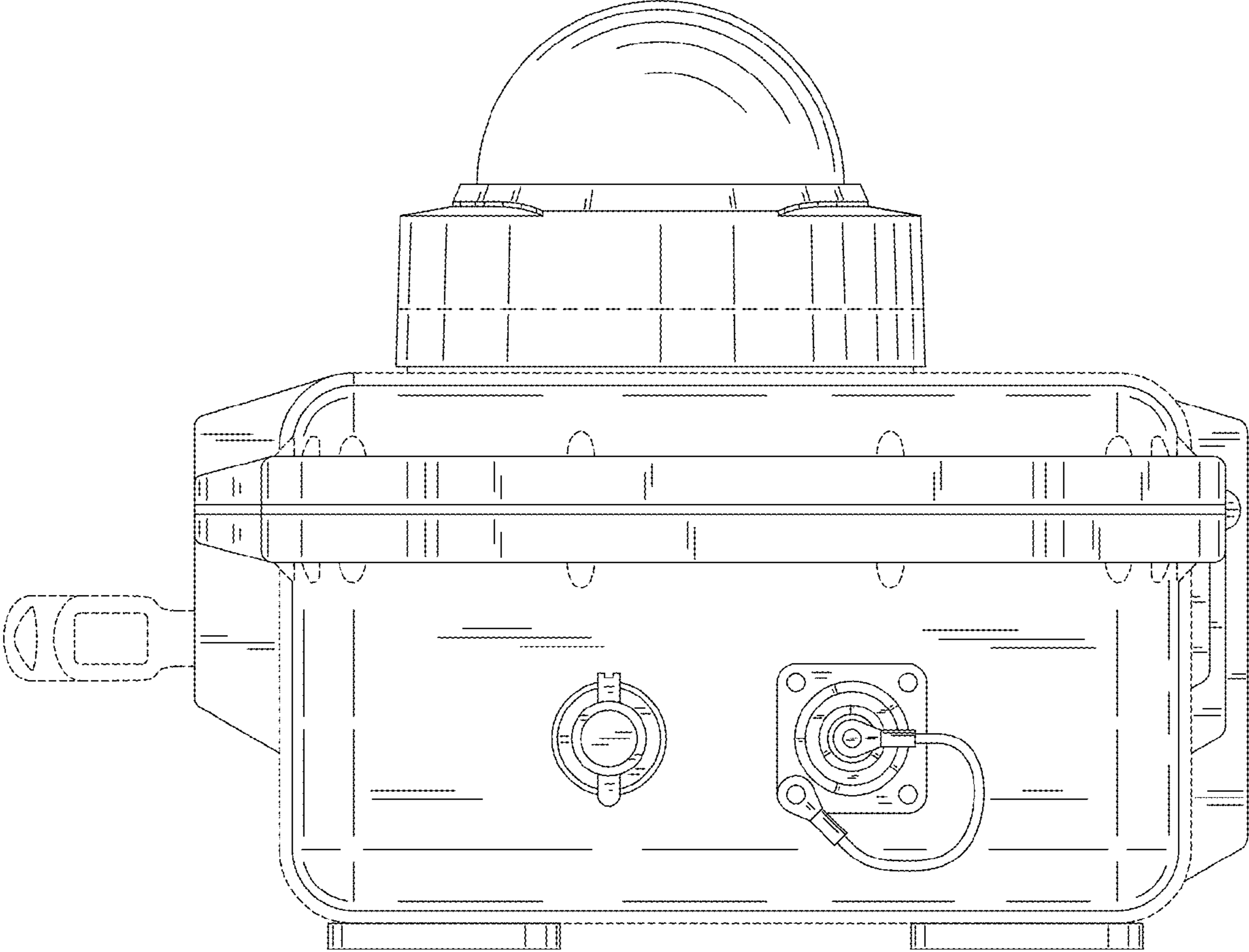


FIG. 5

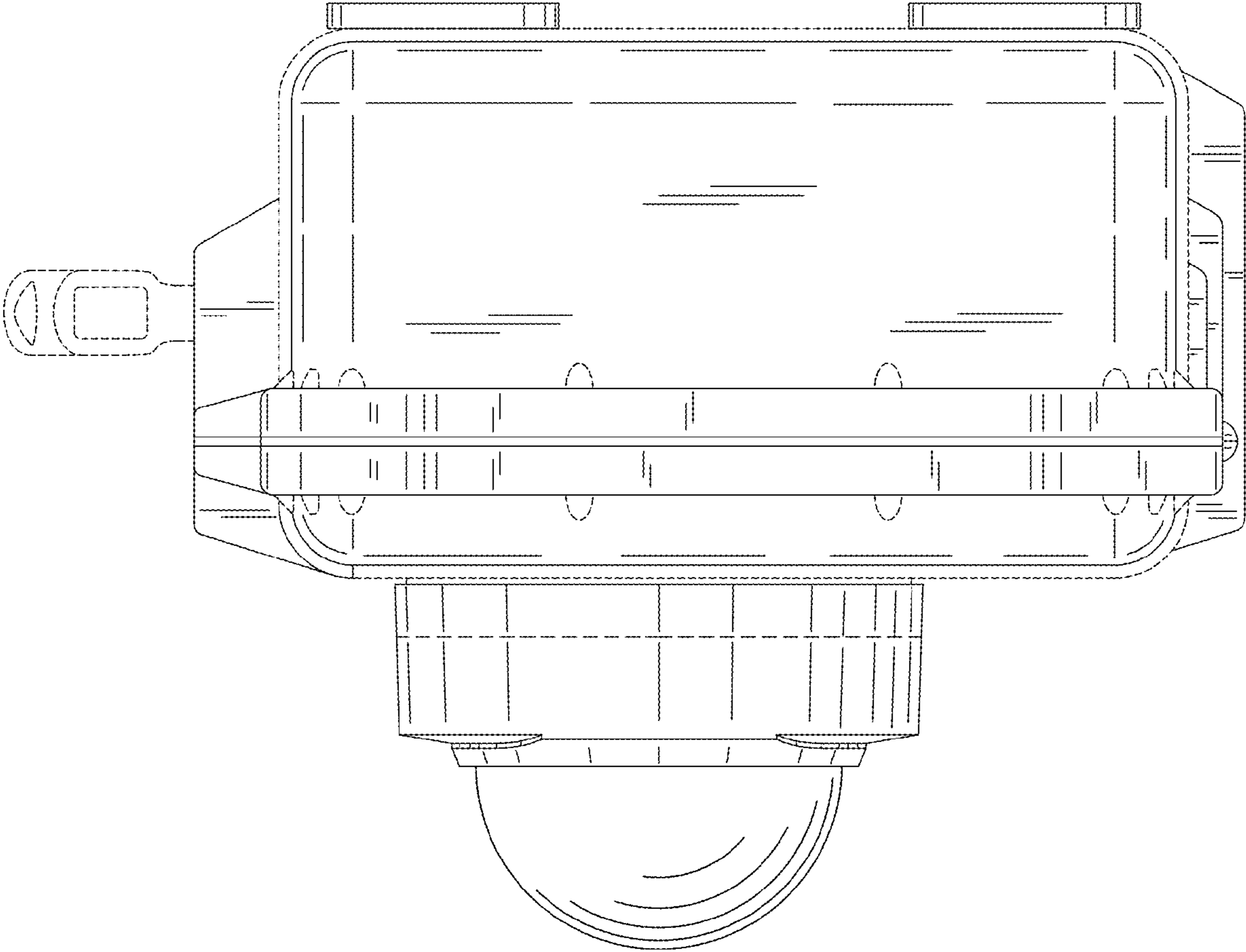


FIG. 6

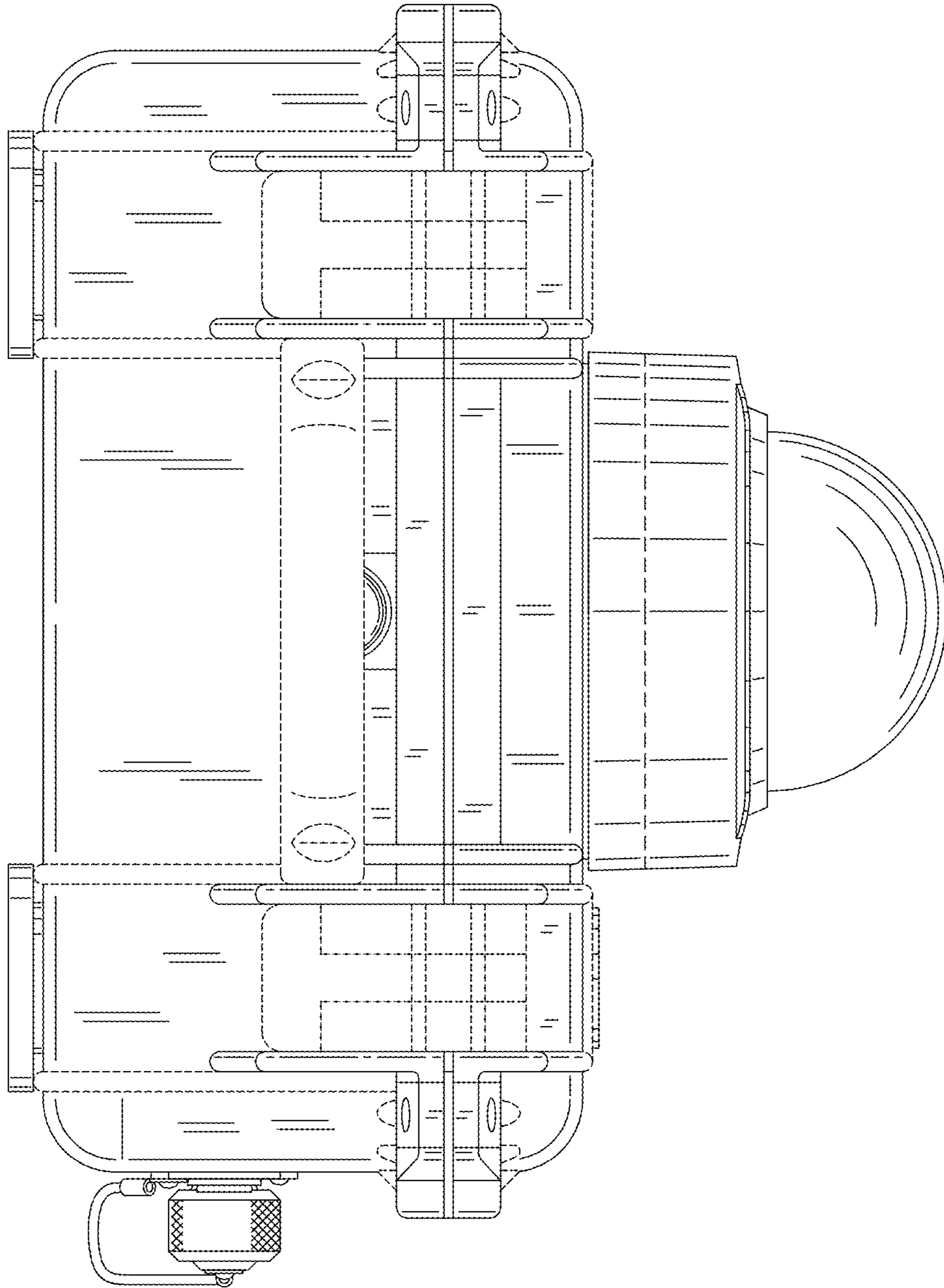


FIG. 7

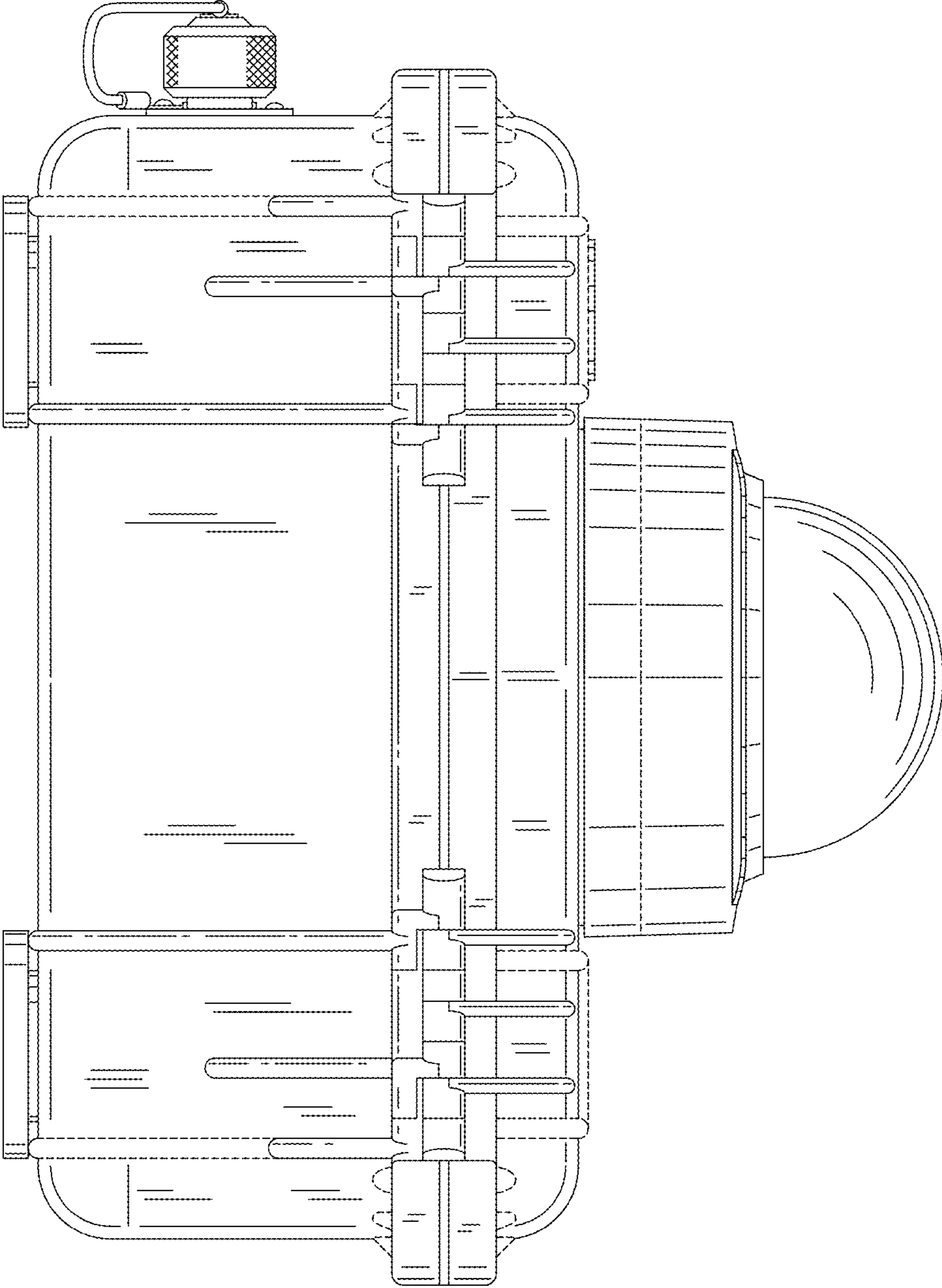


FIG. 8