



US00D940774S

(12) **United States Design Patent**
Sakai

(10) **Patent No.:** **US D940,774 S**

(45) **Date of Patent:** **** Jan. 11, 2022**

(54) **BINOCULARS**

(71) Applicant: **FUJIFILM Corporation**, Tokyo (JP)

(72) Inventor: **Hiroyuki Sakai**, Saitama (JP)

(73) Assignee: **FUJIFILM Corporation**, Tokyo (JP)

(**) Term: **15 Years**

(21) Appl. No.: **29/708,530**

(22) Filed: **Oct. 7, 2019**

(30) **Foreign Application Priority Data**

Apr. 12, 2019 (JP) 2019-008135

(51) **LOC (13) Cl.** **16-06**

(52) **U.S. Cl.**
USPC **D16/133**

(58) **Field of Classification Search**
USPC D16/130, 133, 136, 237
CPC G02B 23/00; G02B 23/18
See application file for complete search history.

(56) **References Cited**

U.S. PATENT DOCUMENTS

- 1,512,705 A * 10/1924 Margaretten G02B 23/18
362/253
- D152,432 S * 1/1949 Perkins D16/133
- D271,885 S * 12/1983 Giugiaro D16/133

- D365,832 S * 1/1996 Miyahara D16/133
- D376,164 S * 12/1996 Hasegawa D16/133
- D399,859 S * 10/1998 Hasegawa D16/133
- D430,586 S * 9/2000 Inaba D16/133
- D487,761 S * 3/2004 Hamamura D16/133
- D508,703 S * 8/2005 Hayashi D16/133
- D508,707 S * 8/2005 Hayashi D16/133
- D520,042 S * 5/2006 Kimura D16/133
- D867,418 S * 11/2019 Sakai D16/133

* cited by examiner

Primary Examiner — Holly E Thurman

(74) *Attorney, Agent, or Firm* — Studebaker & Brackett
PC

(57) **CLAIM**

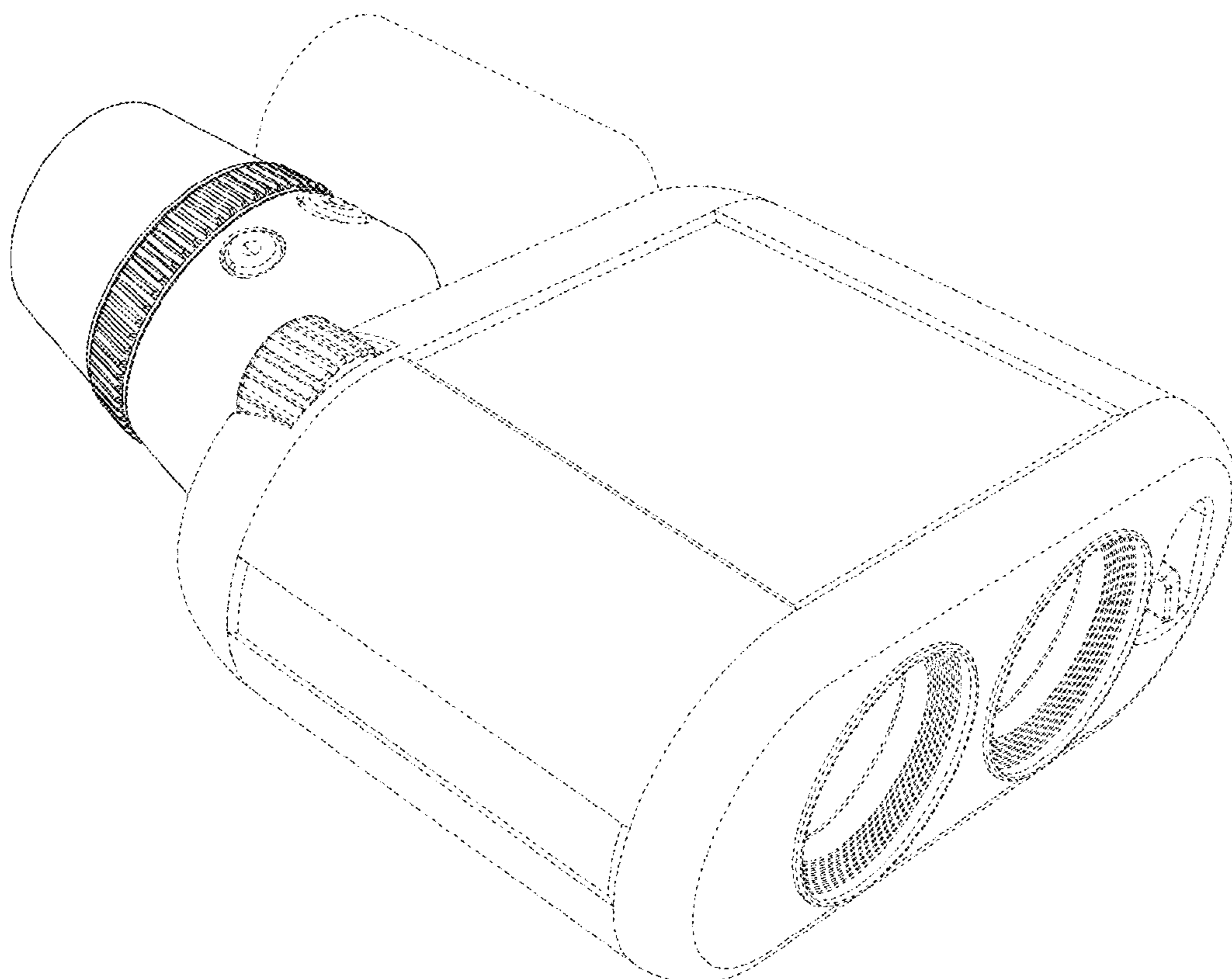
The ornamental design for binoculars, as shown and described.

DESCRIPTION

FIG. 1 is a perspective view 1 of the binoculars, showing the new design;
 FIG. 2 is a perspective view 2 thereof;
 FIG. 3 is a front view thereof;
 FIG. 4 is a rear view thereof;
 FIG. 5 is a right view thereof;
 FIG. 6 is a left view thereof;
 FIG. 7 is a top view thereof; and,
 FIG. 8 is a bottom view thereof.

The broken lines showing the binoculars illustrate the environment of the claimed design and form no part thereof.

1 Claim, 8 Drawing Sheets



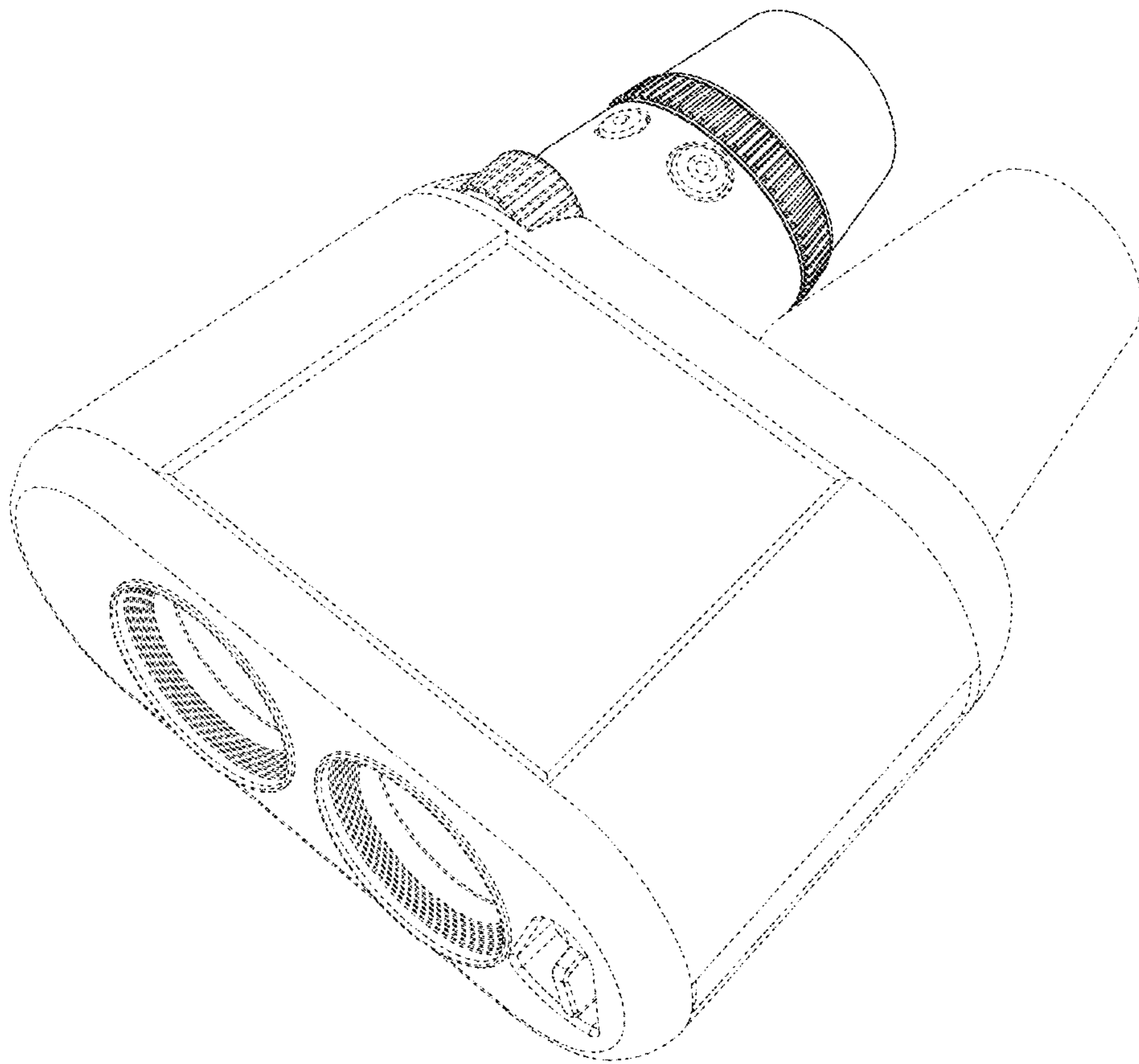


FIG. 1

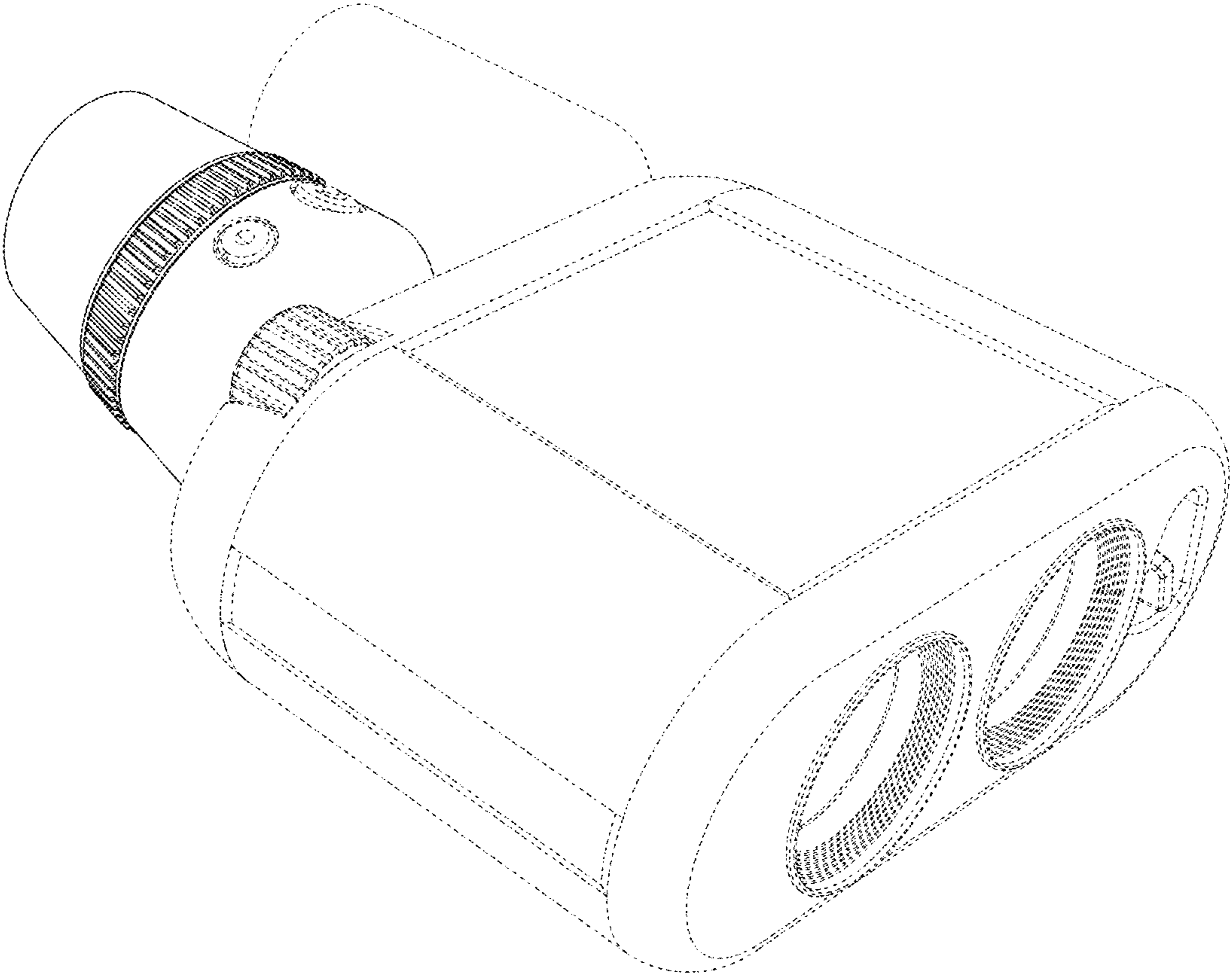


FIG. 2

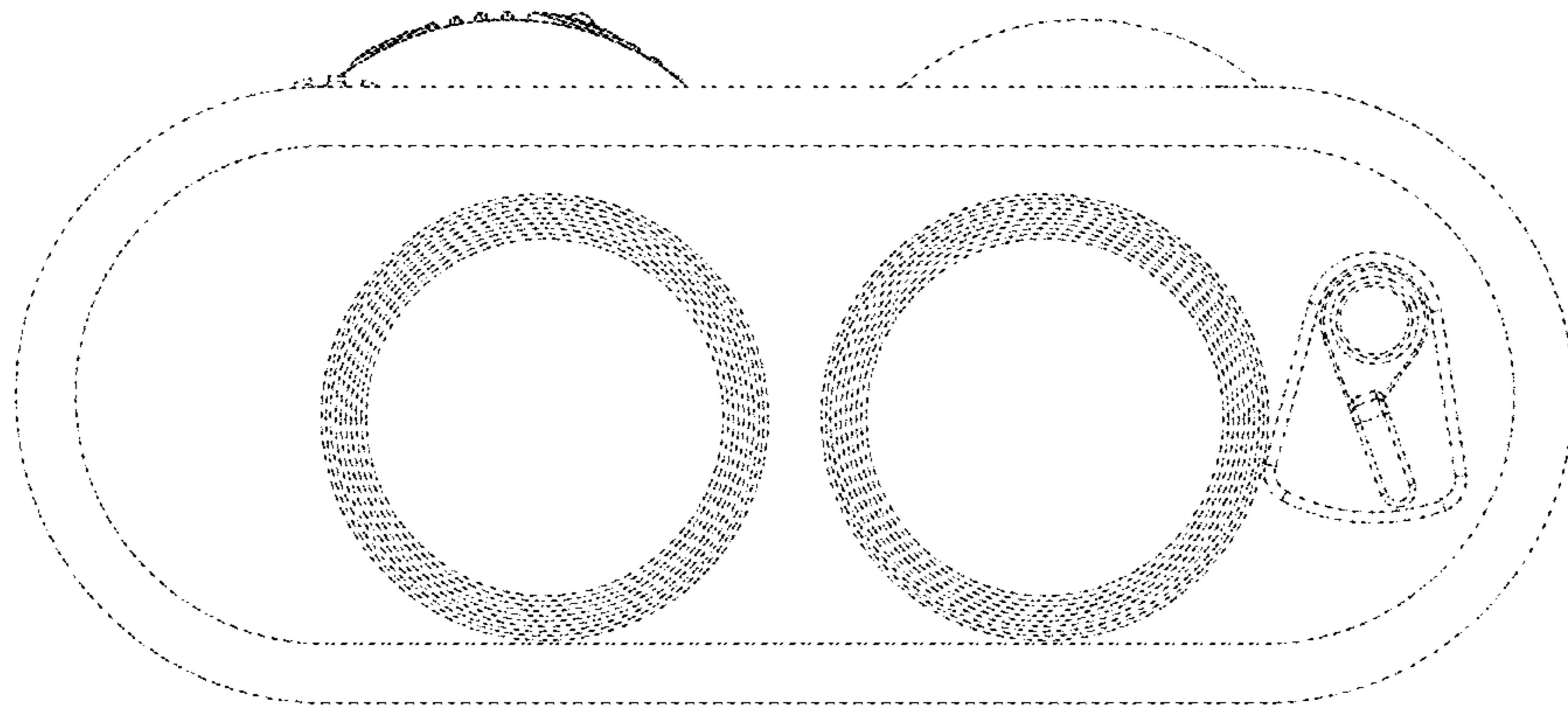


FIG. 3

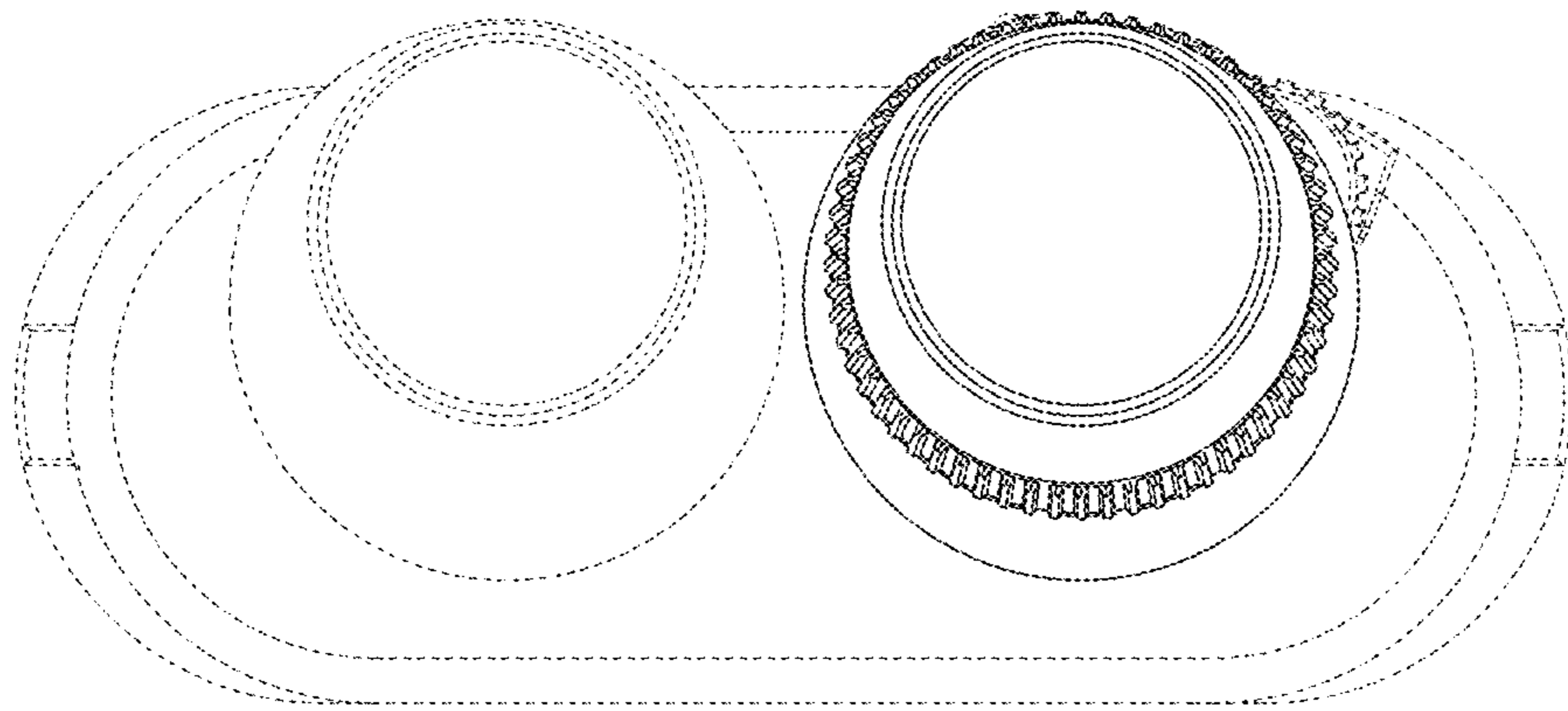


FIG. 4

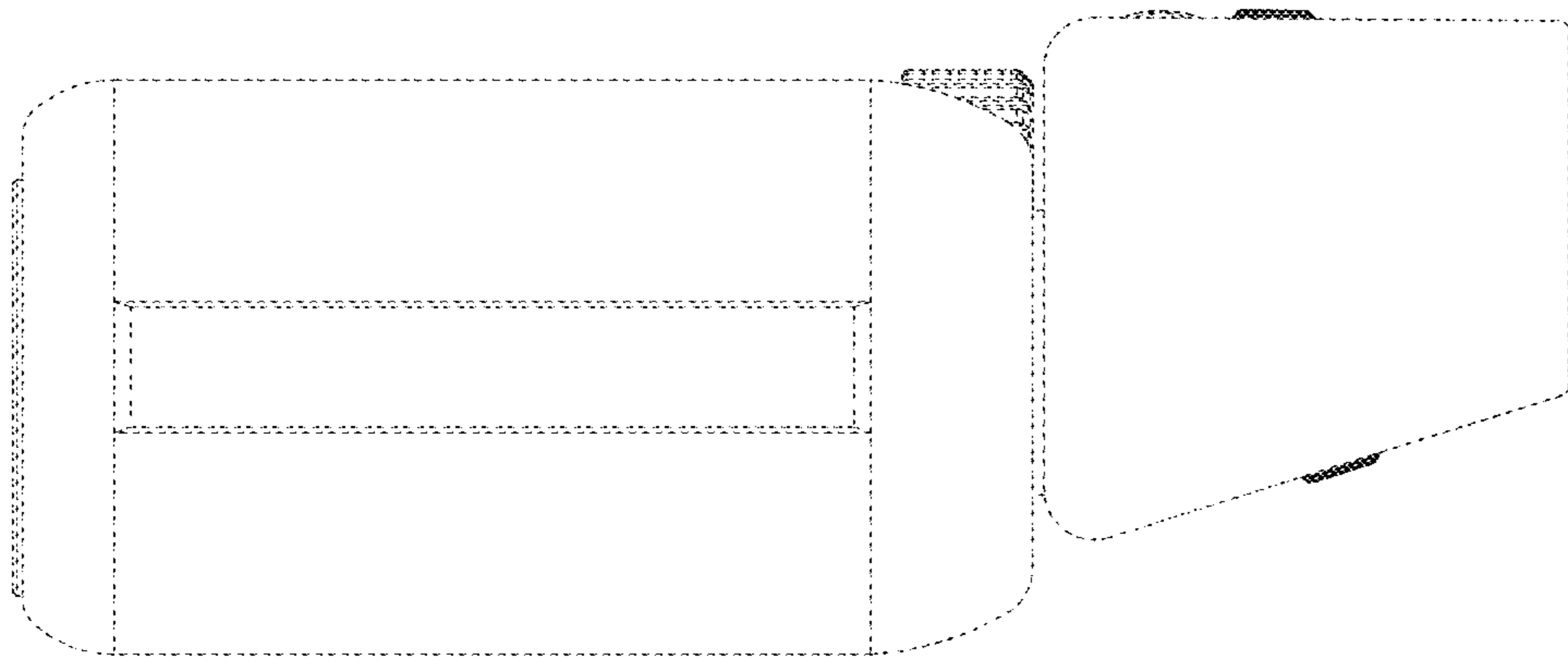


FIG. 5

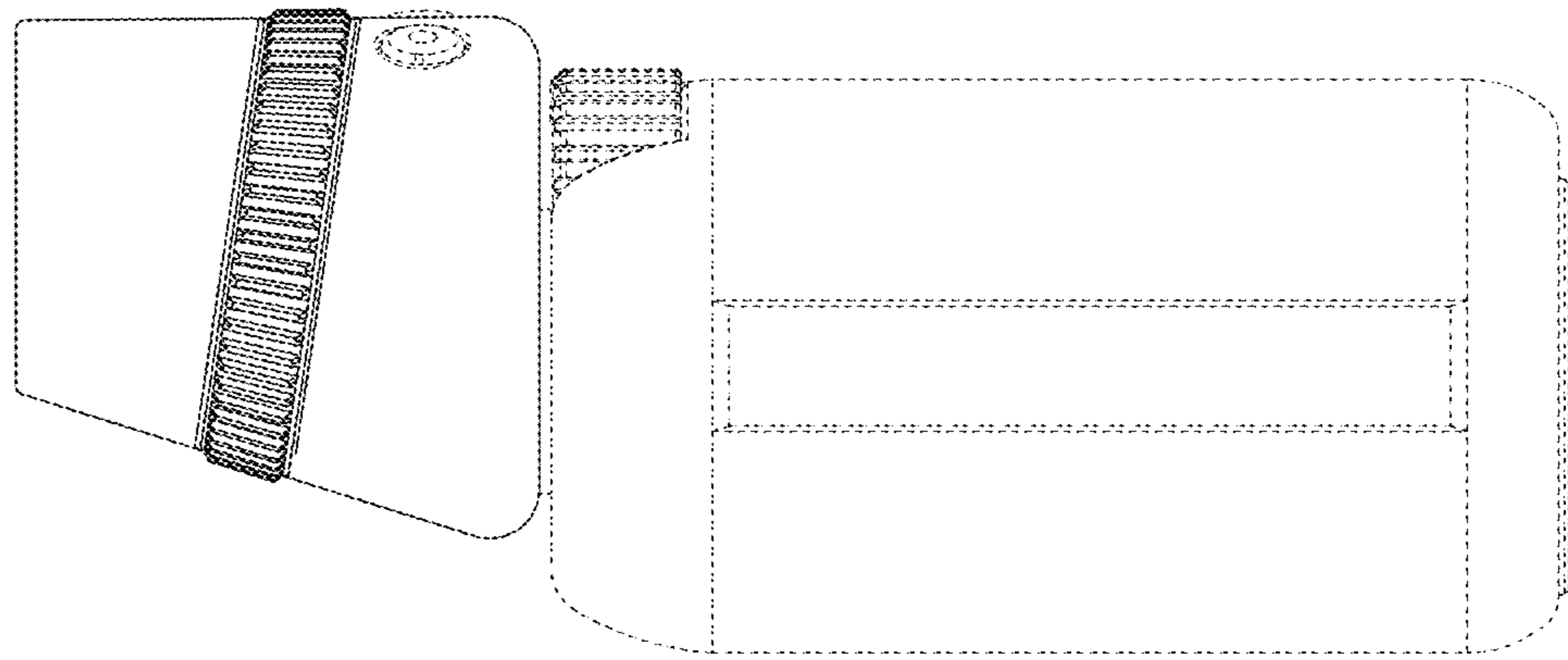


FIG. 6

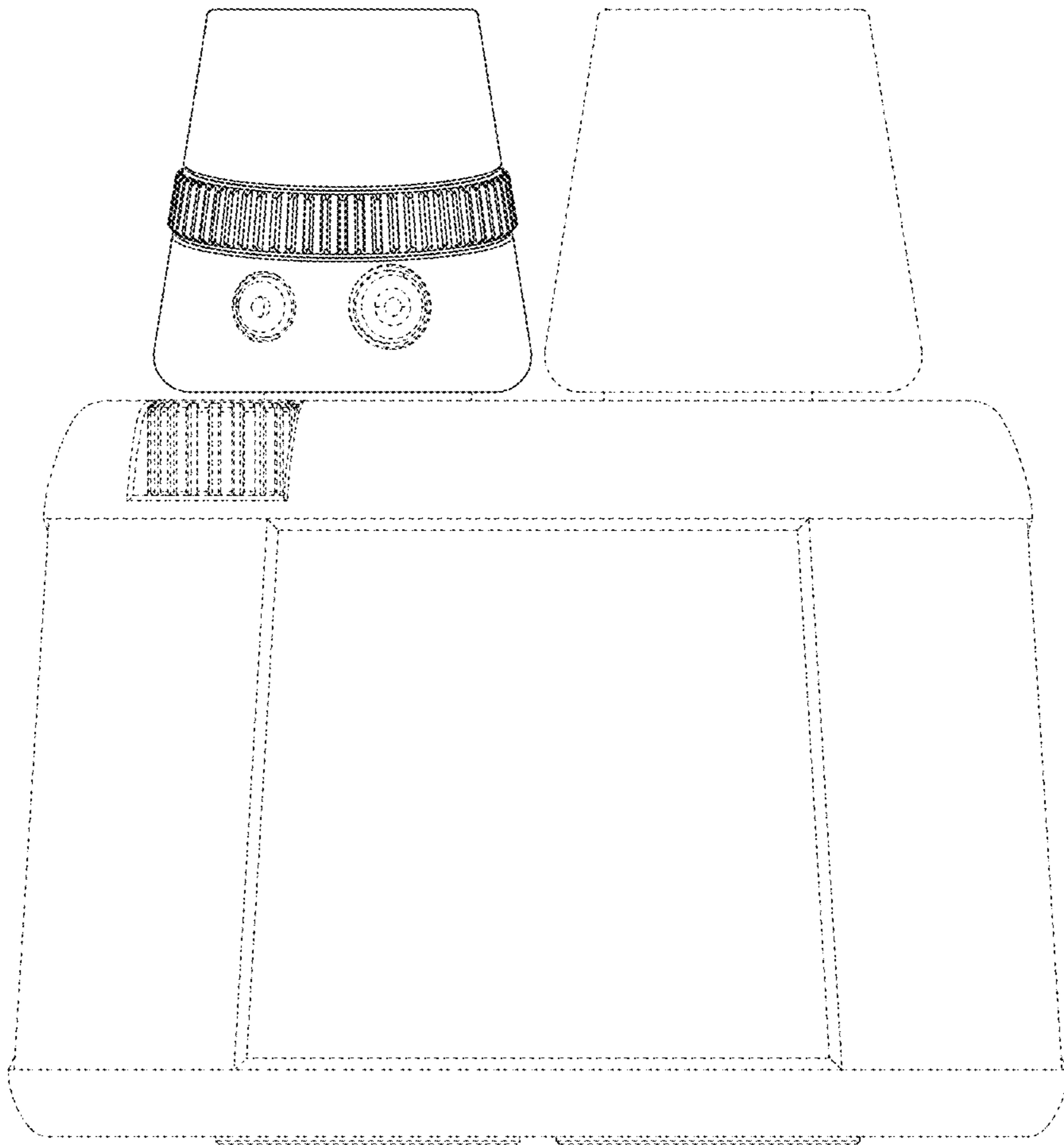


FIG. 7

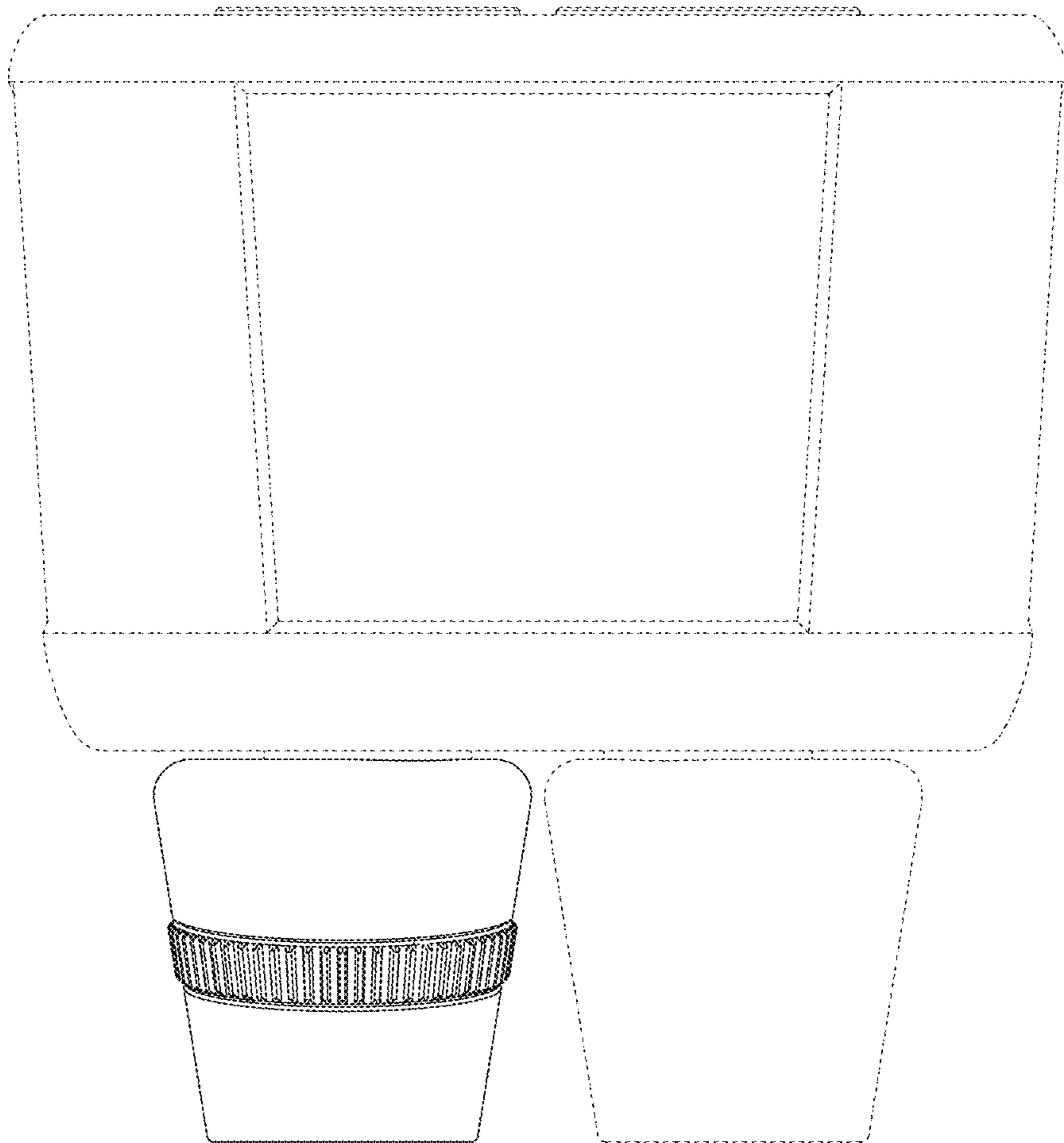


FIG. 8