



US00D940773S

(12) **United States Design Patent**  
**Sakai**

(10) **Patent No.:** **US D940,773 S**  
(45) **Date of Patent:** **\*\* Jan. 11, 2022**

(54) **BINOCULARS**

(71) Applicant: **FUJIFILM Corporation**, Tokyo (JP)

(72) Inventor: **Hiroyuki Sakai**, Saitama (JP)

(73) Assignee: **FUJIFILM Corporation**, Tokyo (JP)

(\*\*) Term: **15 Years**

(21) Appl. No.: **29/708,526**

(22) Filed: **Oct. 7, 2019**

(30) **Foreign Application Priority Data**

Apr. 12, 2019 (JP) ..... 2019-008133

(51) **LOC (13) Cl.** ..... **16-06**

(52) **U.S. Cl.**

USPC ..... **D16/133**

(58) **Field of Classification Search**

USPC ..... D16/130, 133, 136, 237

CPC ..... G02B 23/00; G02B 23/18

See application file for complete search history.

(56) **References Cited**

**U.S. PATENT DOCUMENTS**

D365,832 S \* 1/1996 Miyahara ..... D16/133

D376,164 S \* 12/1996 Hasegawa ..... D16/133

D376,167 S \* 12/1996 Hayamizu ..... D16/133

D399,859 S \* 10/1998 Hasegawa ..... D16/133

D430,586 S \* 9/2000 Inaba ..... D16/133

D487,761 S \* 3/2004 Hamamura ..... D16/133

D508,703 S \* 8/2005 Hayashi ..... D16/133

D508,707 S \* 8/2005 Hayashi ..... D16/133

D520,042 S \* 5/2006 Kimura ..... D16/133

D867,418 S \* 11/2019 Sakai ..... D16/133

\* cited by examiner

*Primary Examiner* — Holly E Thurman

(74) *Attorney, Agent, or Firm* — Studebaker & Brackett  
PC

(57) **CLAIM**

The ornamental design for binoculars, as shown and described.

**DESCRIPTION**

FIG. 1 is a perspective view 1 of the binoculars, showing the new design;

FIG. 2 is a perspective view 2 thereof;

FIG. 3 is a front view thereof;

FIG. 4 is a rear view thereof;

FIG. 5 is a right view thereof;

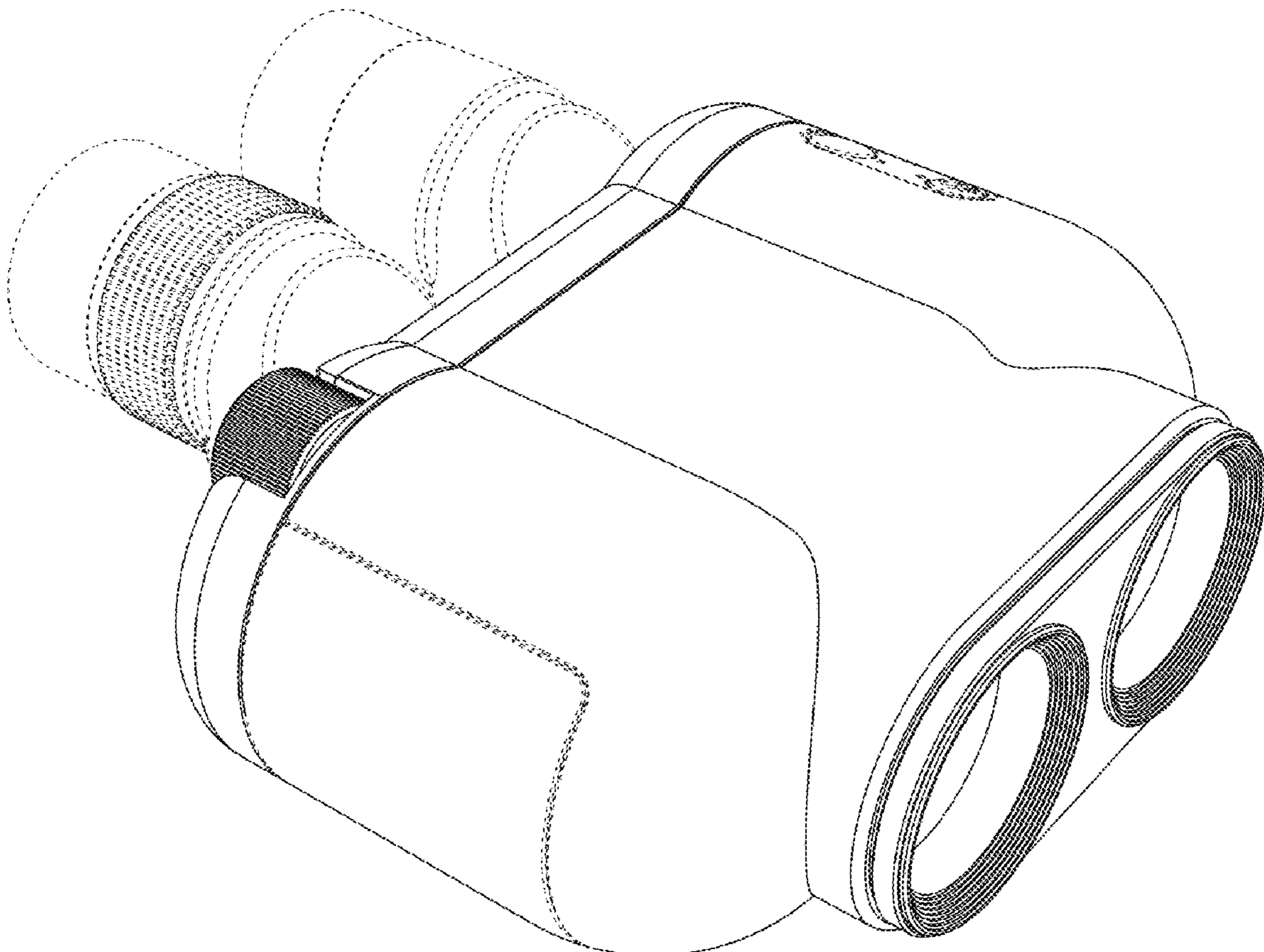
FIG. 6 is a left view thereof;

FIG. 7 is a top view thereof; and,

FIG. 8 is a bottom view thereof.

The broken lines showing the binoculars illustrate the environment of the claimed design and form no part thereof.

**1 Claim, 8 Drawing Sheets**



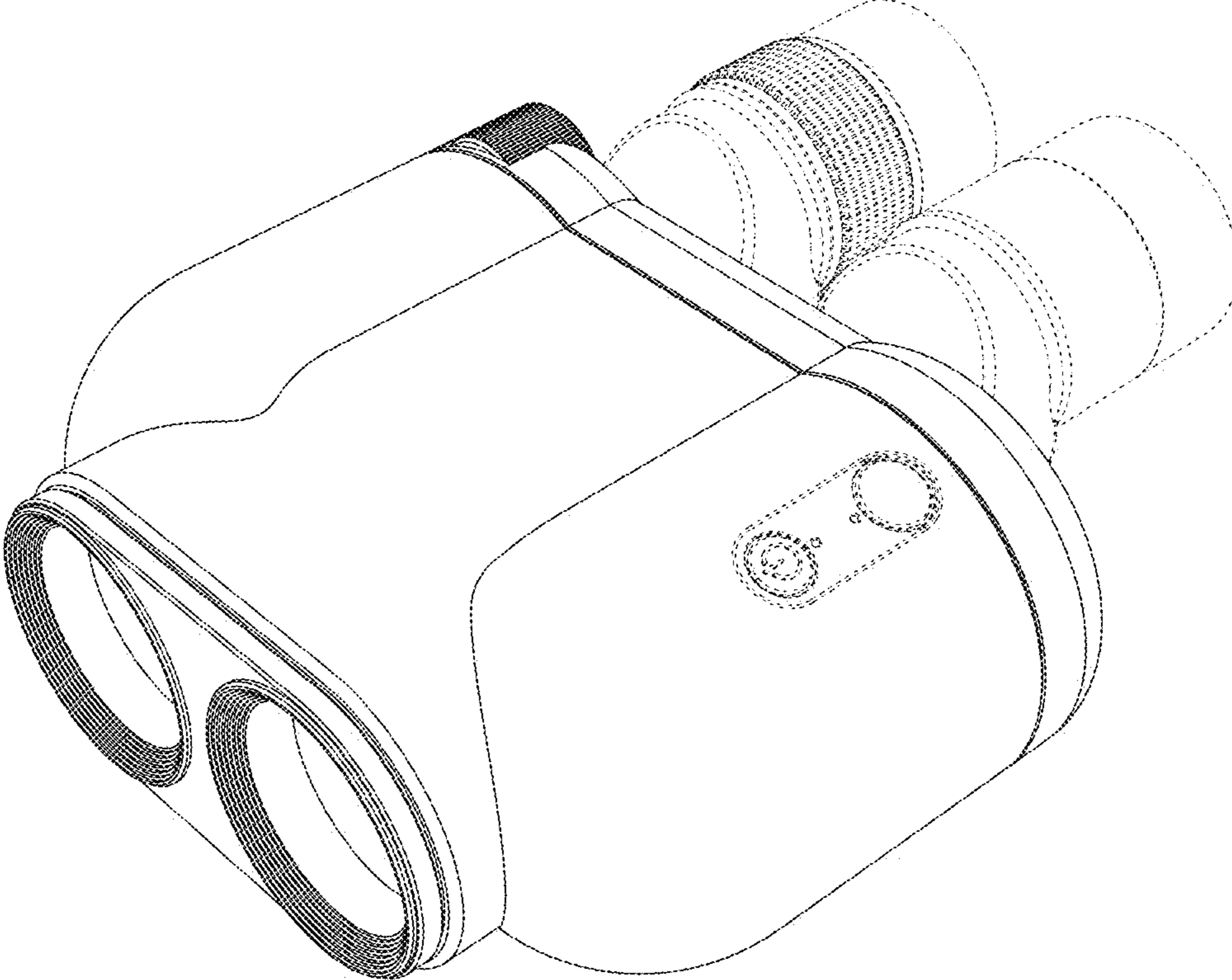


FIG. 1

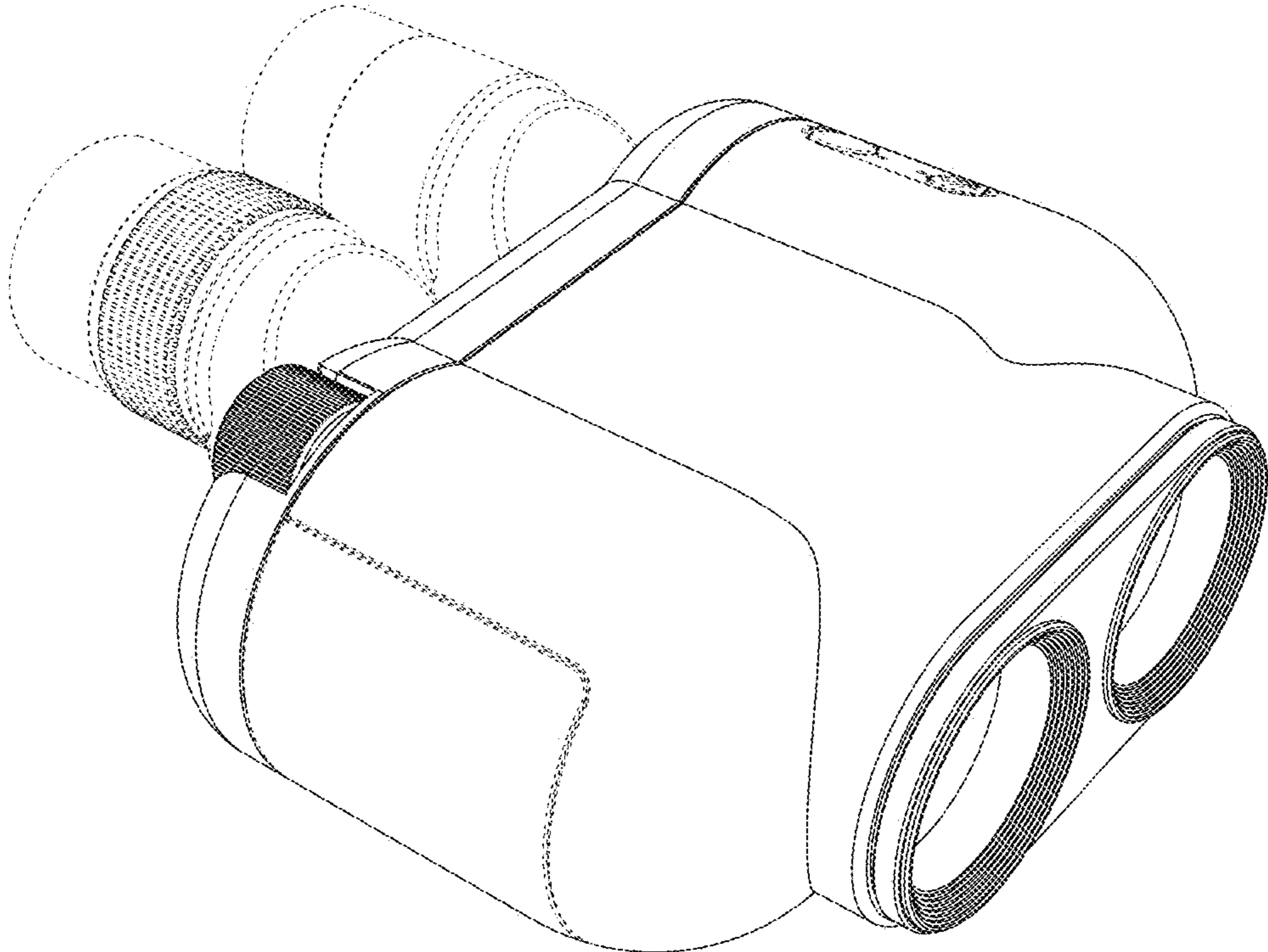


FIG. 2

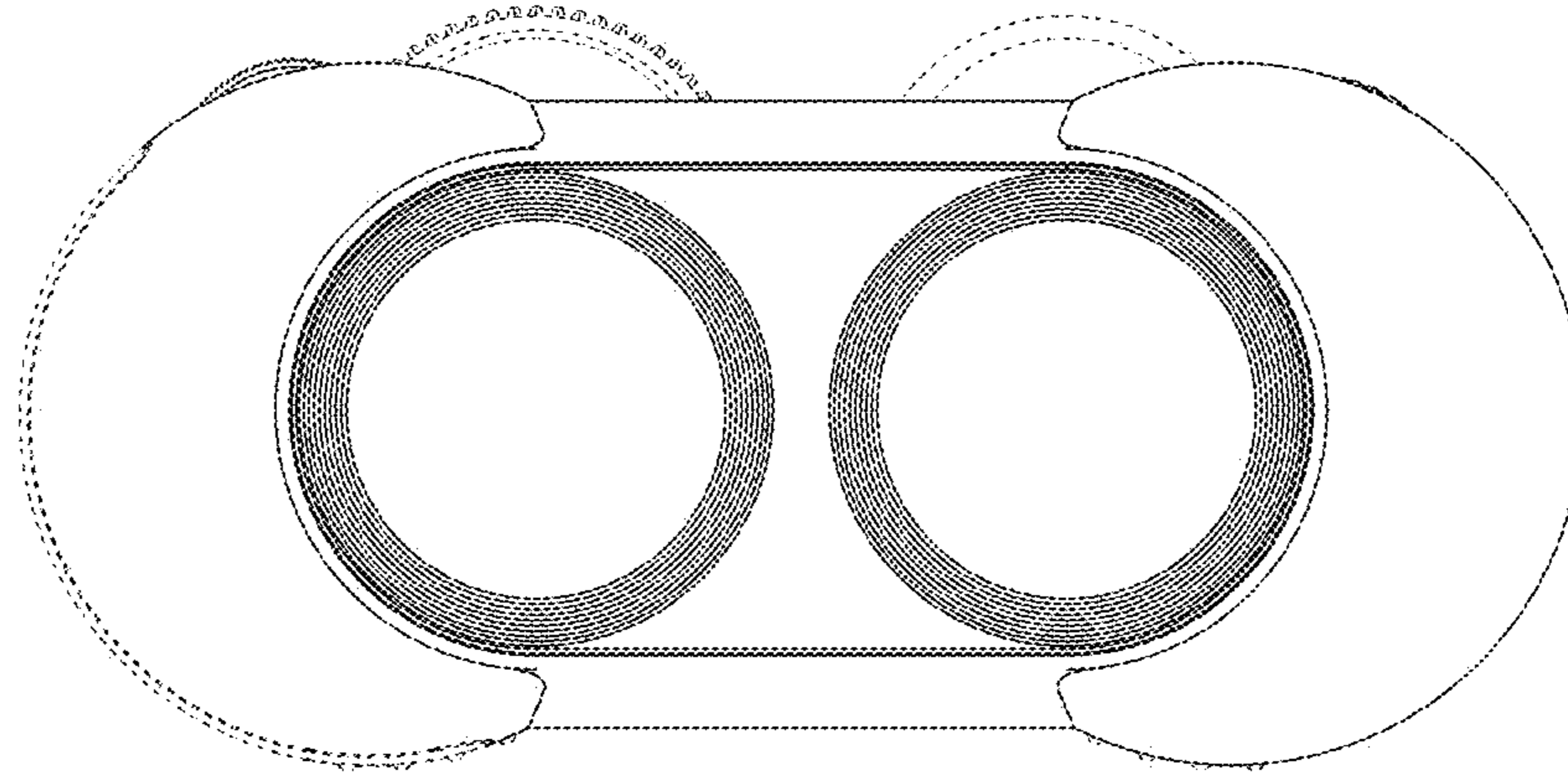


FIG. 3



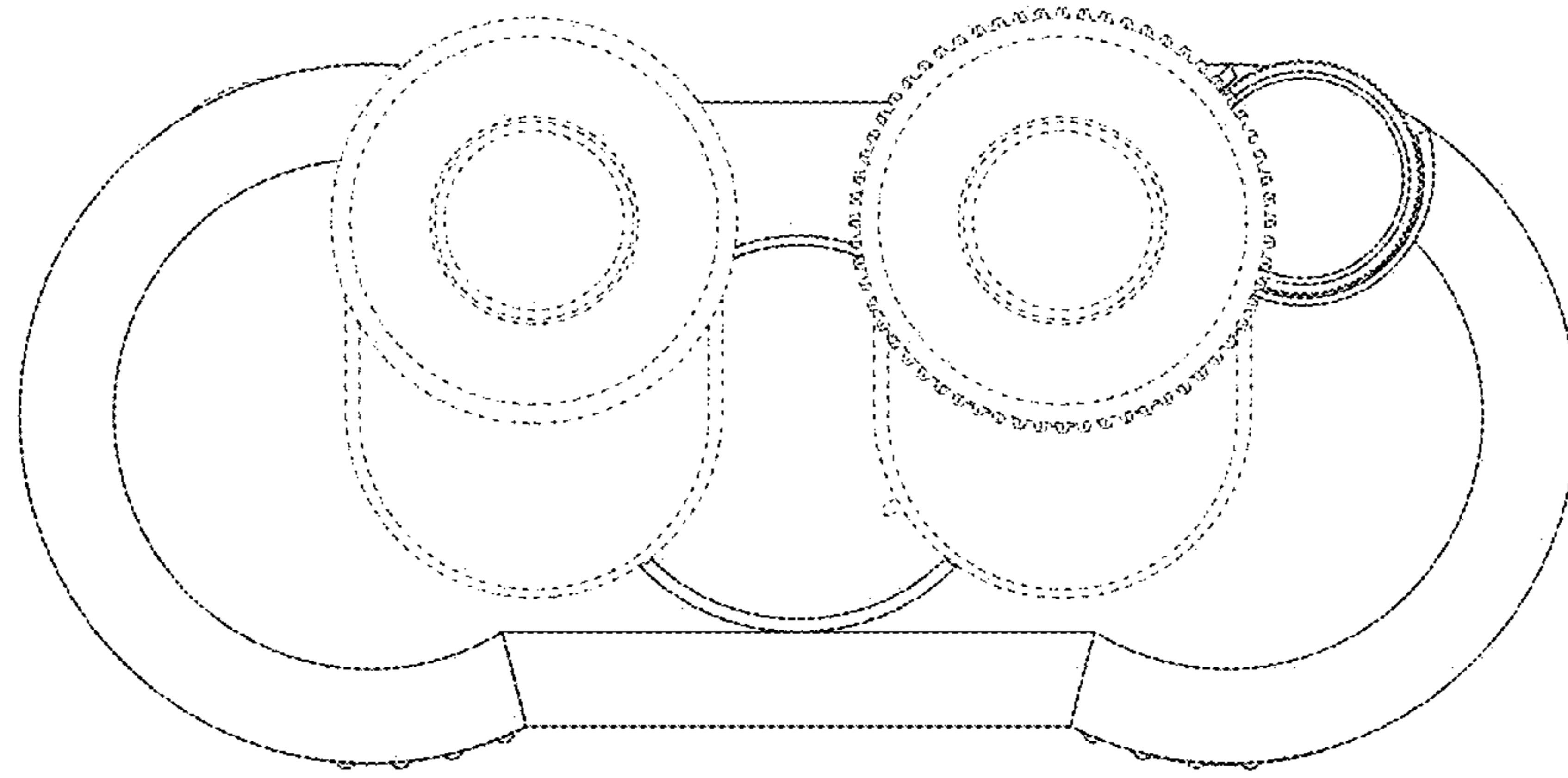


FIG. 4

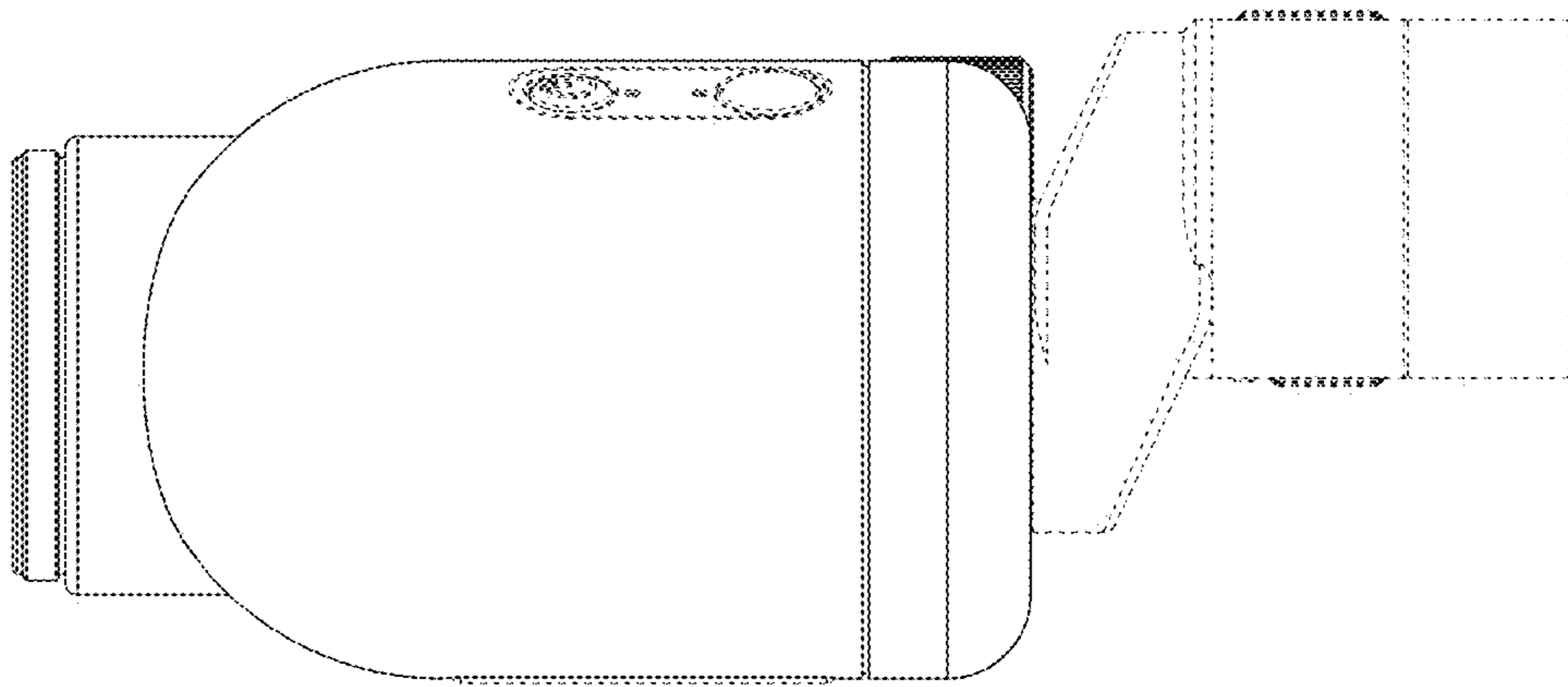


FIG. 5

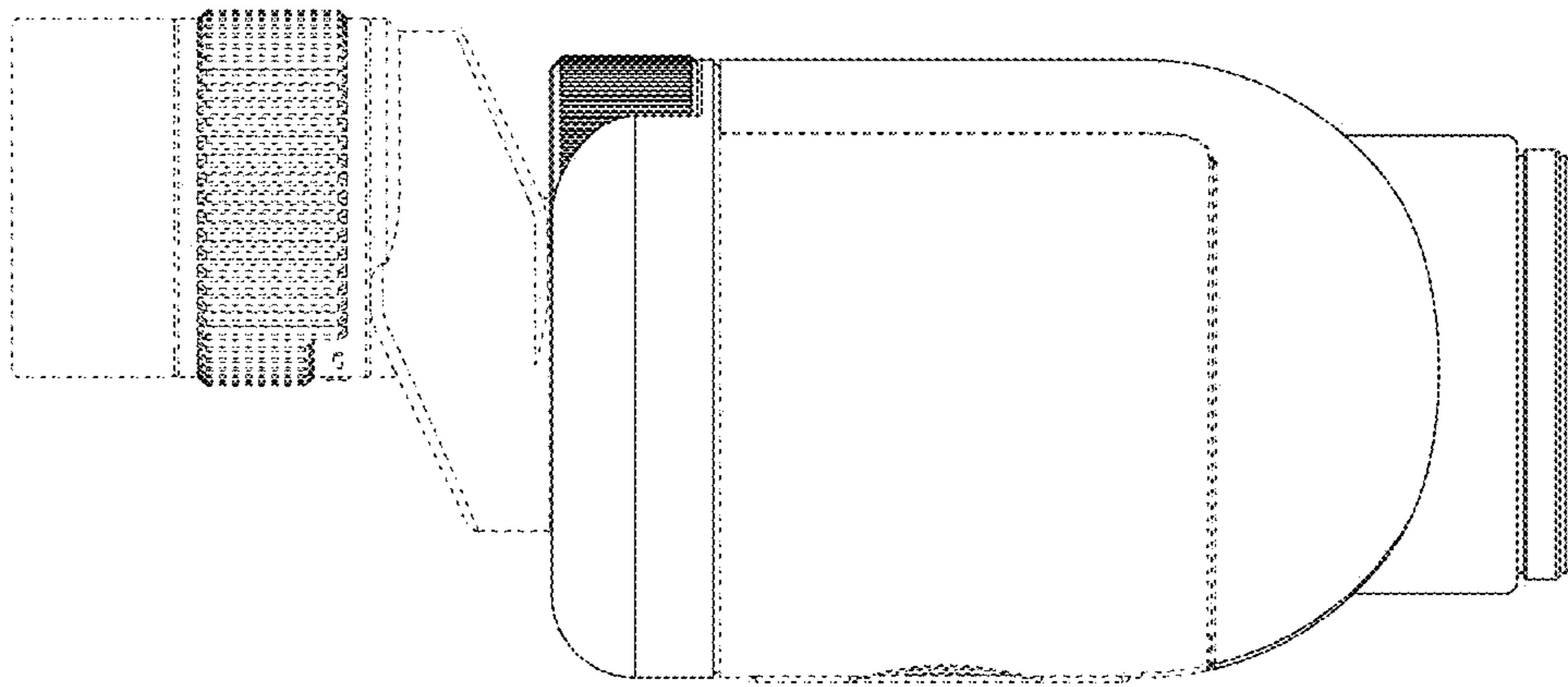


FIG. 6

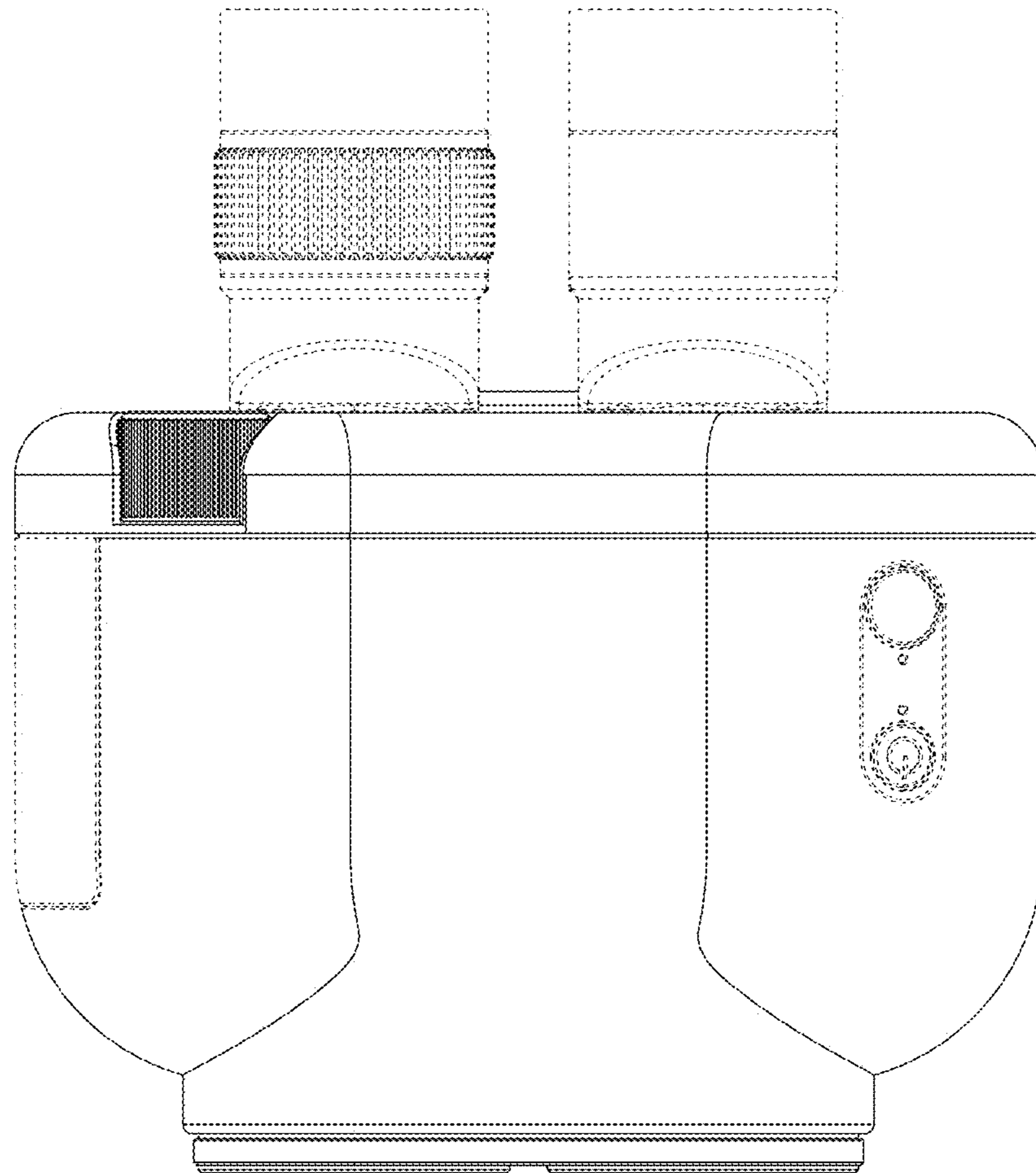


FIG. 7



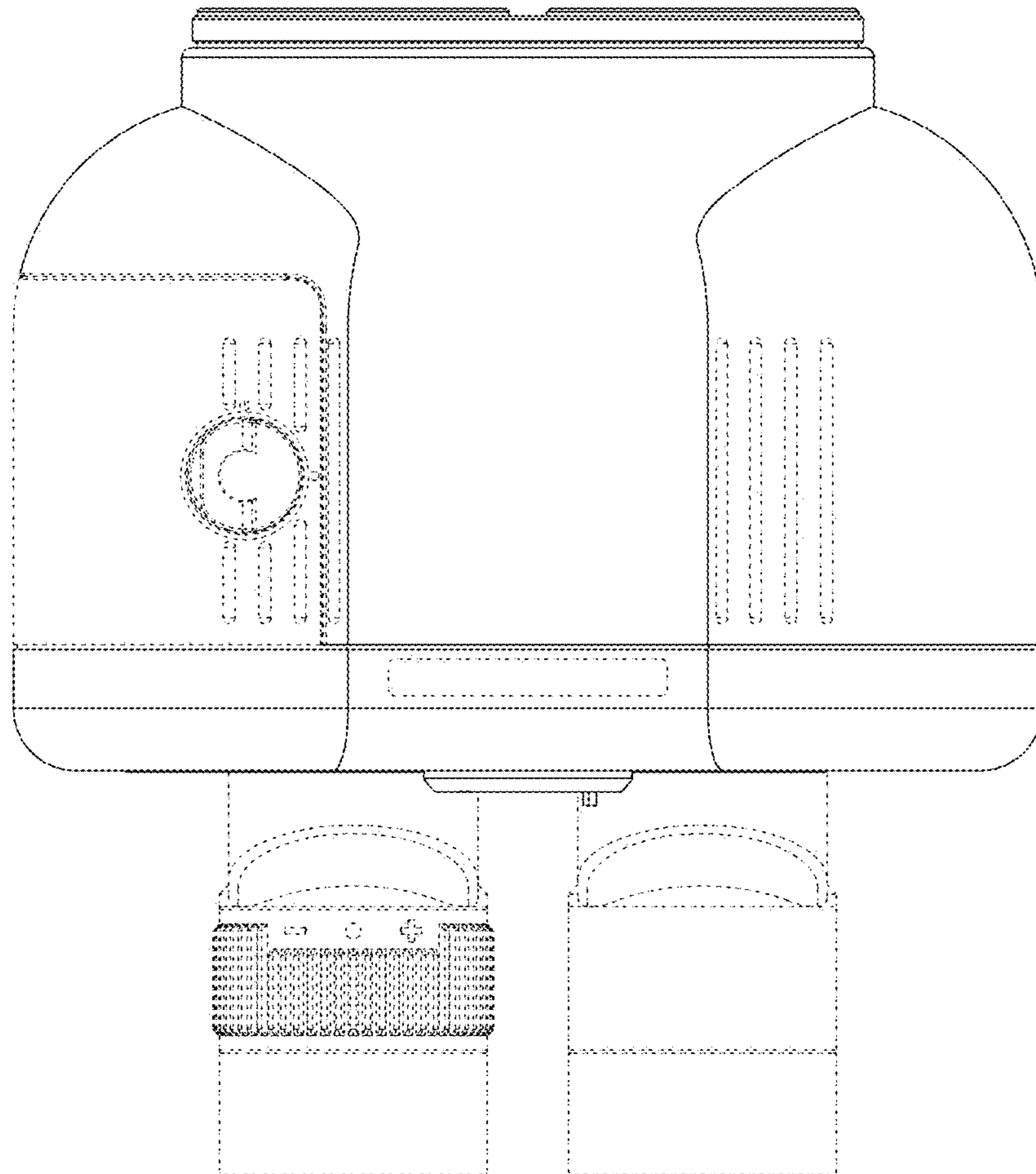


FIG. 8