



US00D940766S

(12) **United States Design Patent** (10) **Patent No.:** **US D940,766 S**
Fukuyama et al. (45) **Date of Patent:** **** Jan. 11, 2022**

(54) **CUTTING TOOL**

B23C 2200/083; B23C 2200/121; B23C 2200/362; B23C 2210/0428; B23C (Continued)

(71) Applicant: **SUMITOMO ELECTRIC HARDMETAL CORP.**, Itami (JP)

(72) Inventors: **Tomoyuki Fukuyama**, Itami (JP); **Yosuke Shimamoto**, Sorachi-gun (JP); **Junya Okida**, Sorachi-gun (JP)

(73) Assignee: **Sumitomo Electric Hardmetal Corp.**, Itami (JP)

(**) Term: **15 Years**

(21) Appl. No.: **29/687,872**

(22) Filed: **Apr. 16, 2019**

Related U.S. Application Data

(62) Division of application No. 29/600,274, filed on Apr. 11, 2017, now Pat. No. Des. 861,754.

(30) **Foreign Application Priority Data**

Oct. 13, 2016 (JP) 2016-022308
Oct. 13, 2016 (JP) 2016-022309

(51) **LOC (13) Cl.** **15-03**

(52) **U.S. Cl.**
USPC **D15/139**

(58) **Field of Classification Search**

USPC D15/124-144; D8/70, 90, 98, 120
CPC B23C 2200/0411; B23C 2200/0416; B23C 2200/0433; B23C 2200/164; B23C 2200/361; B23C 2210/0457; B23C 5/006; B23C 2200/168; B23C 2210/163; B23C 2226/125; B23C 5/10; B23C 2200/081; B23C 2200/087; B23C 2200/161; B23C 2200/206; B23C 2210/02; B23C 2210/03; B23C 2210/166; B23C 2210/50; B23C 2226/315; B23C 5/2208; B23C 5/2472; B23C 2200/0477; B23C 2200/0483;

(56) **References Cited**

U.S. PATENT DOCUMENTS

D700,225 S * 2/2014 Waggle D15/139
D717,847 S * 11/2014 Mikado D15/139
(Continued)

Primary Examiner — Khawaja Anwar

(74) *Attorney, Agent, or Firm* — Baker Botts L.L.P.; Michael A. Sartori

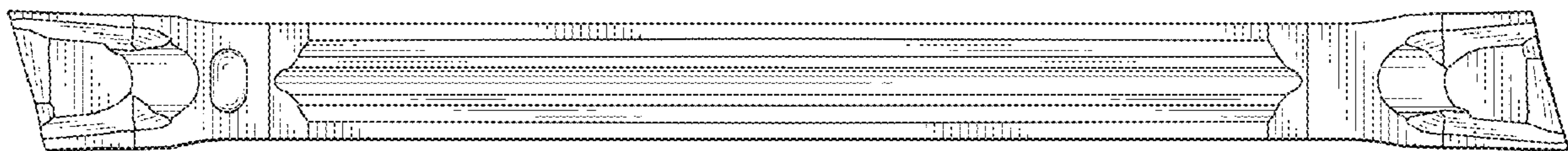
(57) **CLAIM**

The ornamental design for a cutting tool, as shown and described.

DESCRIPTION

FIG. 1 is a front view of a cutting tool showing our new design,
FIG. 2 is a rear view thereof;
FIG. 3 is a right side view thereof;
FIG. 4 is a left side view thereof;
FIG. 5 is a top view thereof;
FIG. 6 is a bottom view thereof;
FIG. 7 is a first perspective view thereof;
FIG. 8 is a second perspective view thereof;
FIG. 9 is a third perspective view thereof;
FIG. 10 is a fourth perspective view thereof;
FIG. 11 is a fifth perspective view thereof;
FIG. 12 is an enlarged view of 12-12 portion of FIG. 7;
FIG. 13 is an enlarged view of 13-13 portion of FIG. 8;
FIG. 14 is an enlarged view of 14-14 portion of FIG. 9;
FIG. 15 is an enlarged view of 15-15 portion of FIG. 10; and,
FIG. 16 is a referential view showing the state in use thereof.
The broken lines shown in the referential views represent portions that form no part of the claimed design.

1 Claim, 7 Drawing Sheets



(58) **Field of Classification Search**

CPC 2210/0435; B23C 2210/16; B23C 2220/36;
B23C 2220/44; B23C 2240/08; B23C
2250/12; B23C 2270/06; B23C 5/2204;
B23C 5/2213; B23C 5/2247; B23C
5/2427; B23C 2200/0422; B23C 2200/08;
B23C 2200/086; B23C 2200/123

See application file for complete search history.

(56) **References Cited**

U.S. PATENT DOCUMENTS

D735,254 S *	7/2015	O'Malley	D15/139
D748,703 S *	2/2016	Nam	D15/139
D772,318 S *	11/2016	Nam	D15/139
D772,319 S *	11/2016	Nam	D15/139
D777,230 S *	1/2017	Fang	D15/139
D778,330 S *	2/2017	Fang	D15/139
D812,116 S *	3/2018	Choi	D15/139
D836,143 S *	12/2018	Weinberg	D15/139
D845,361 S *	4/2019	Komiyama	D15/139

* cited by examiner

FIG. 1

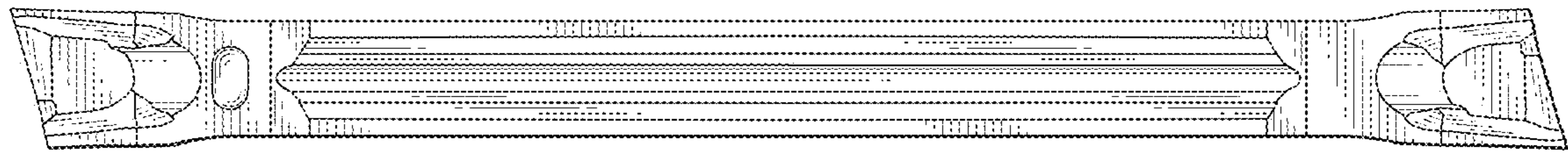


FIG. 2

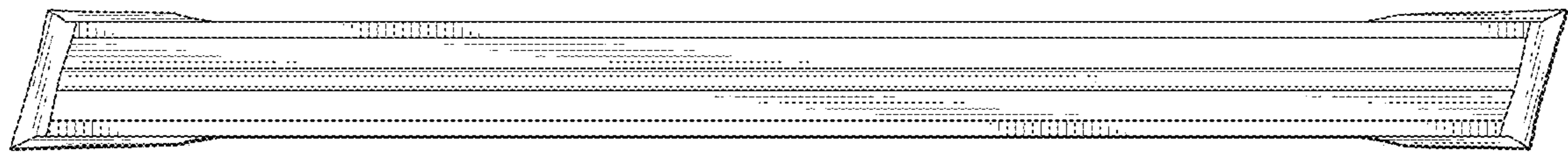


FIG. 3

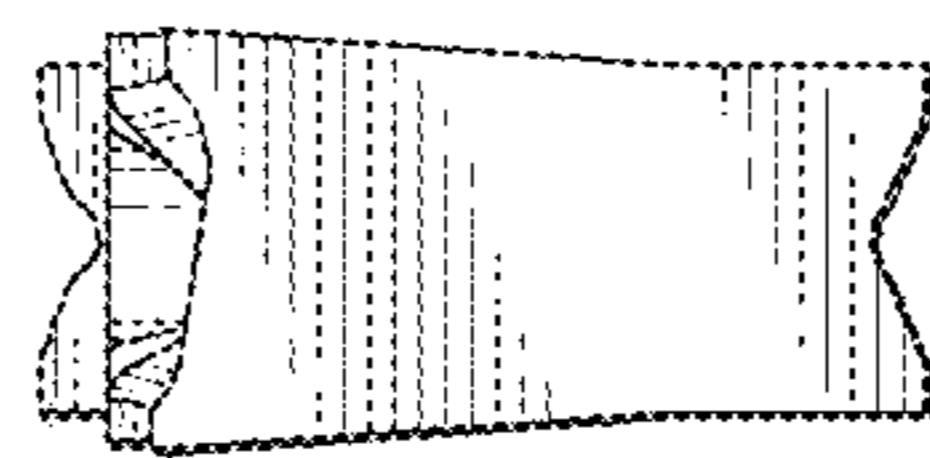


FIG. 4

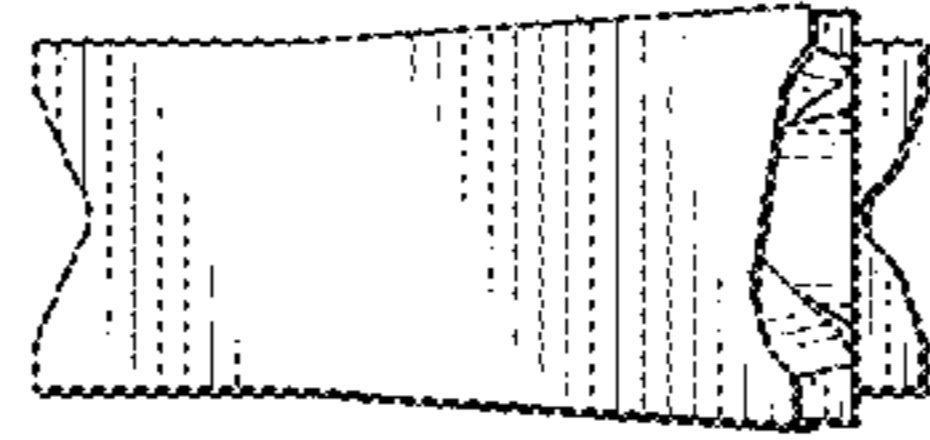


FIG. 5

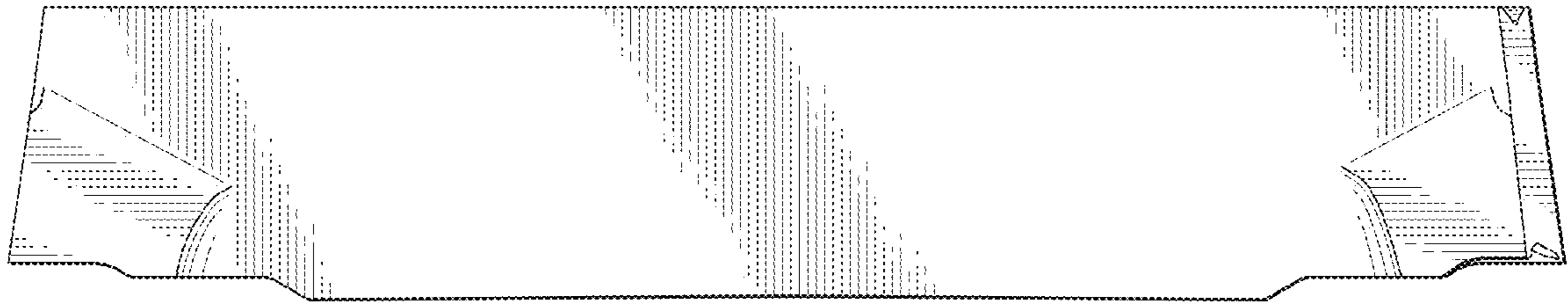


FIG. 6

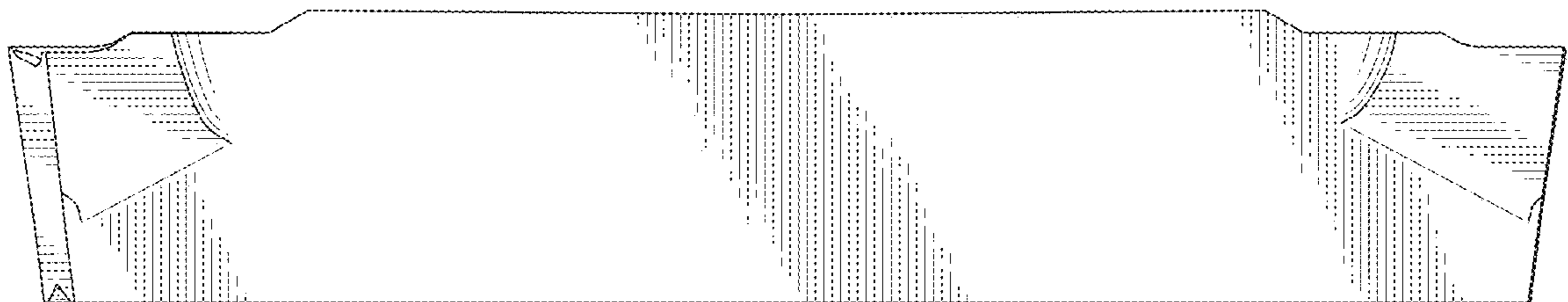


FIG. 7

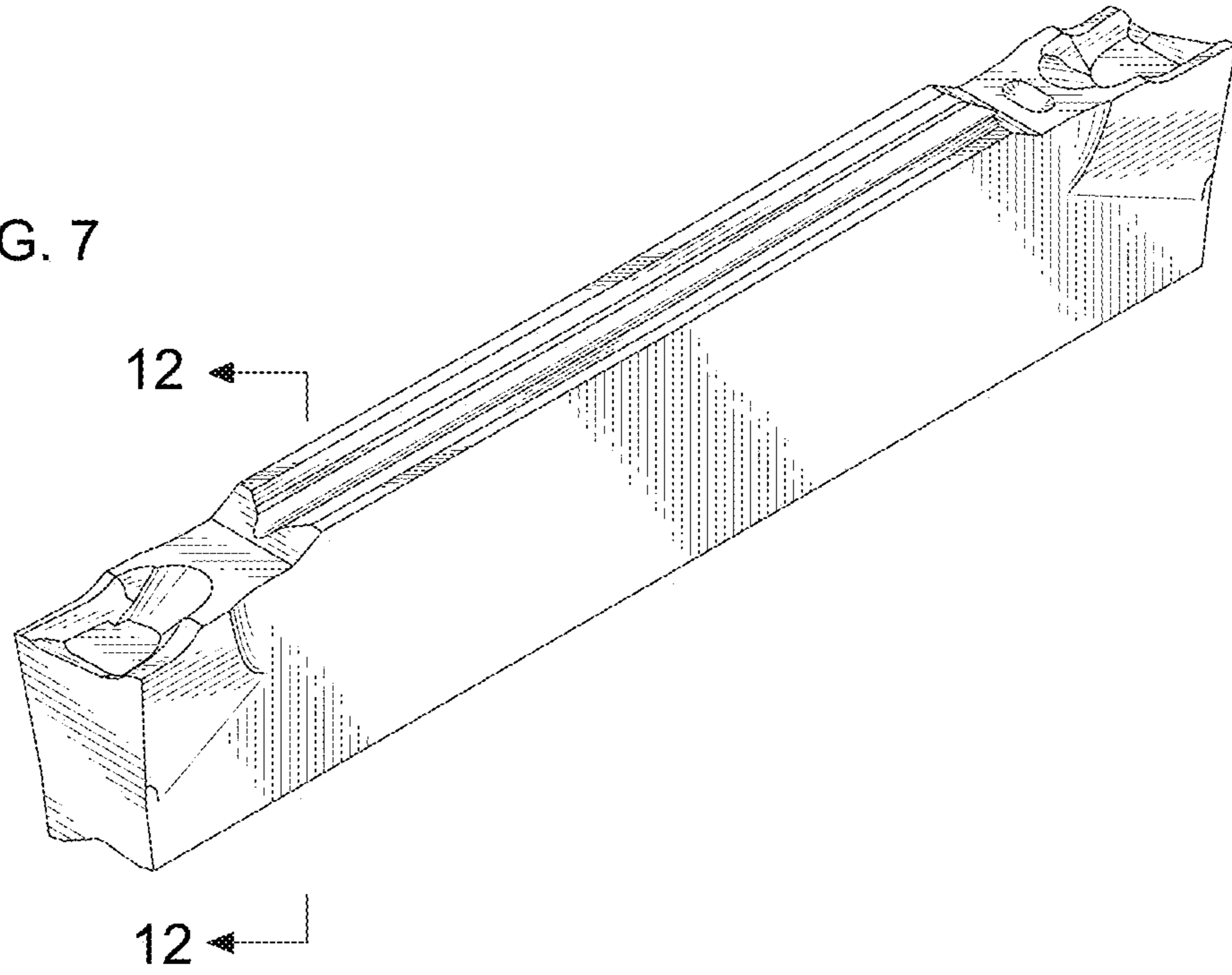
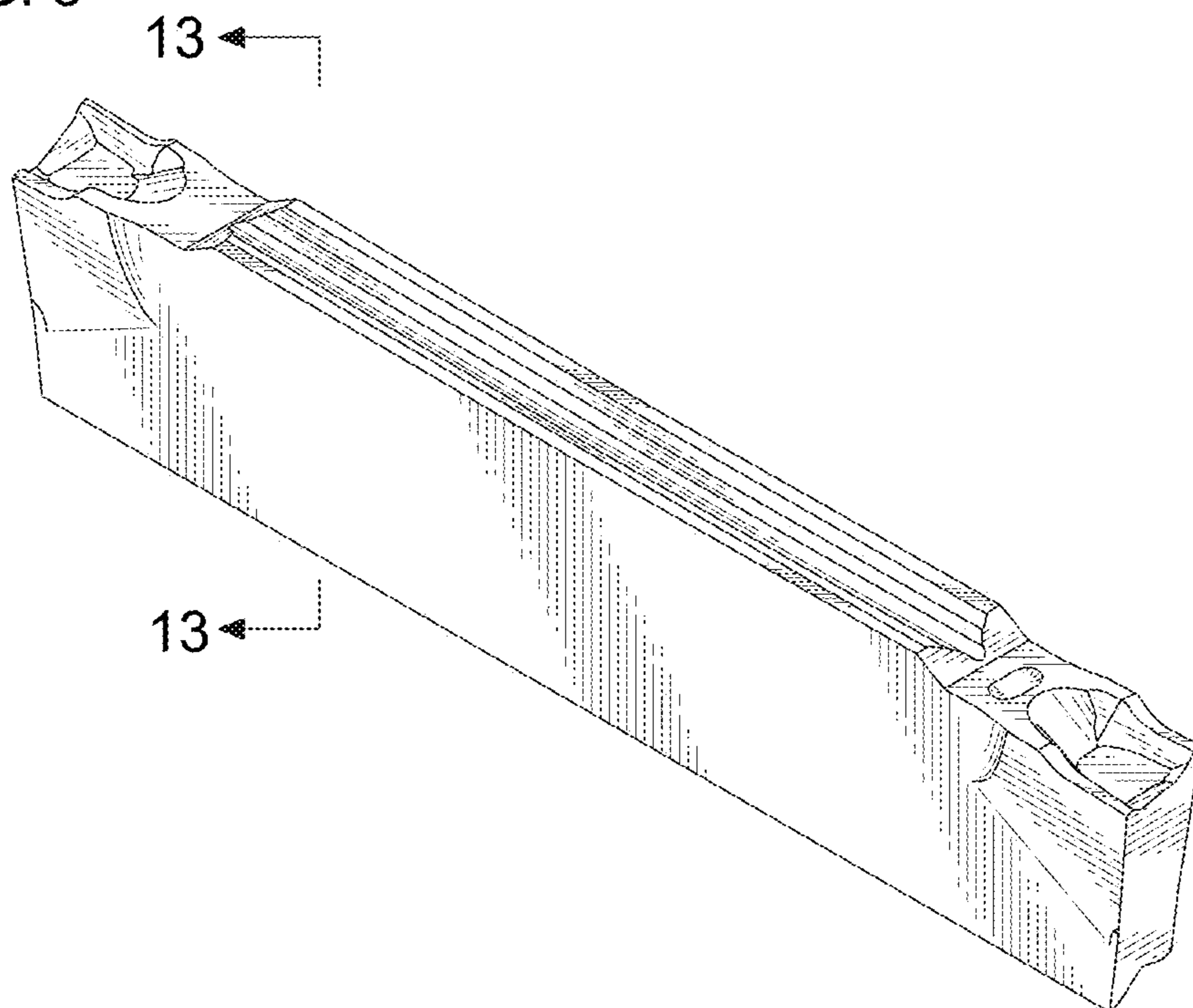


FIG. 8



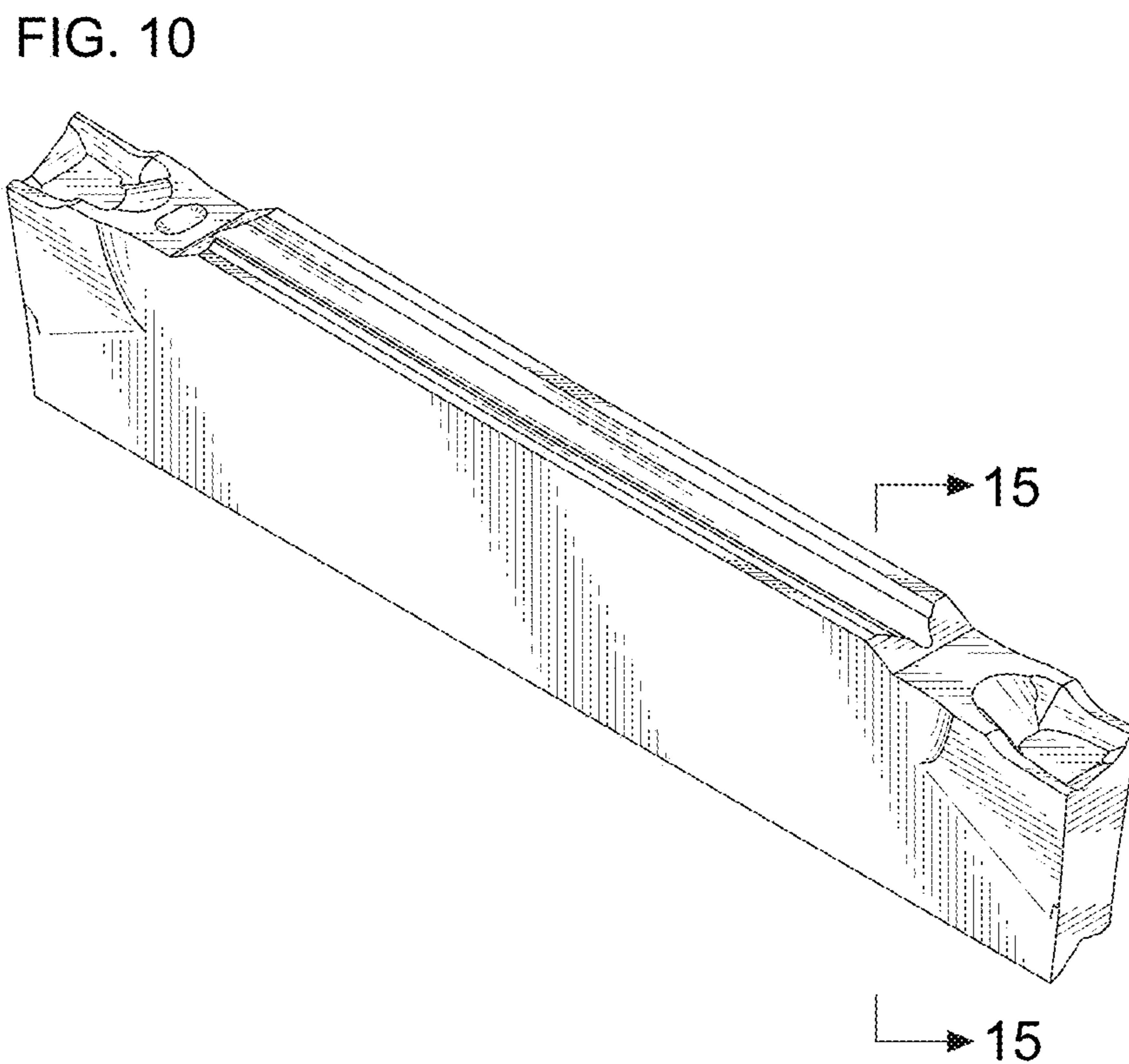
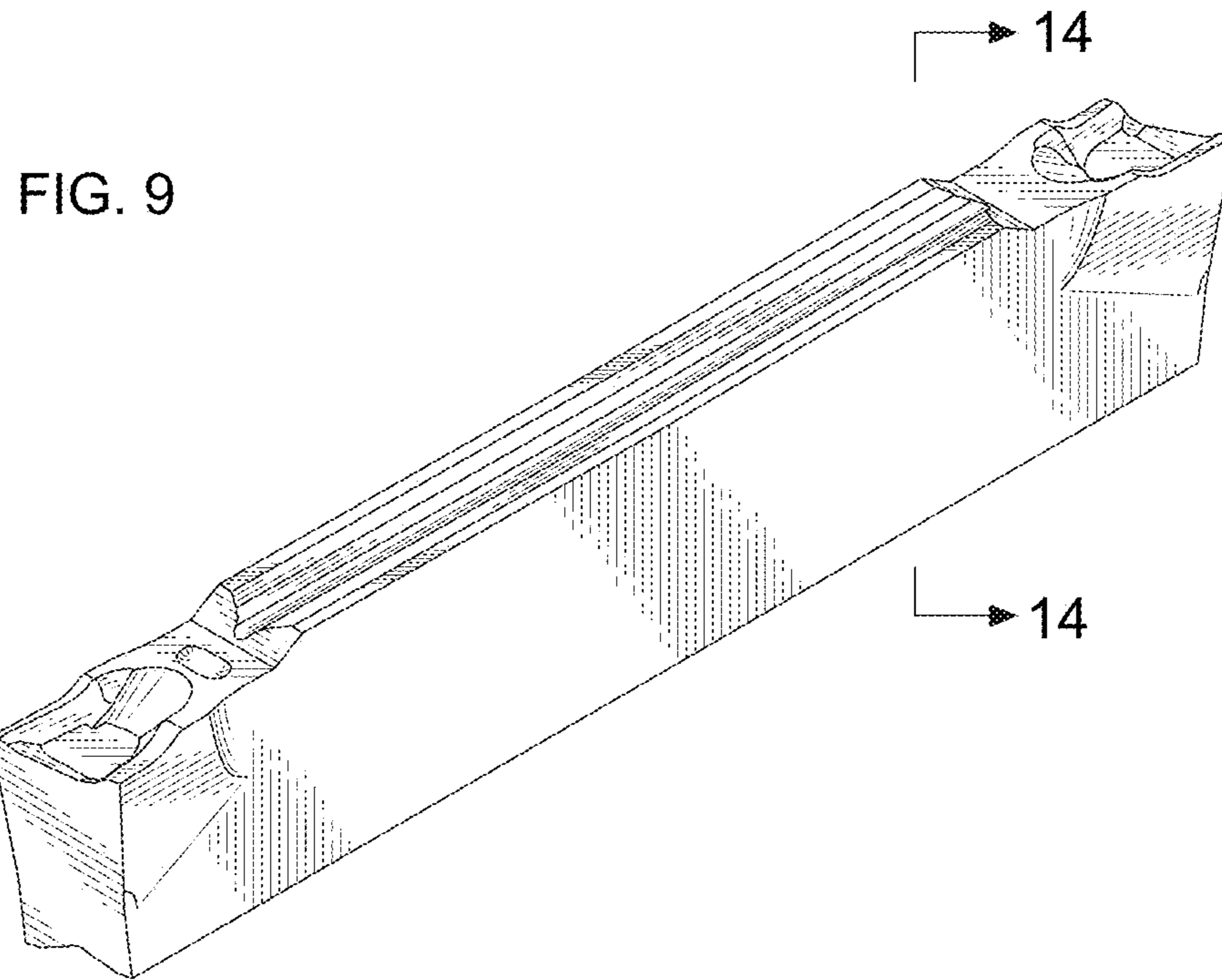


FIG. 11

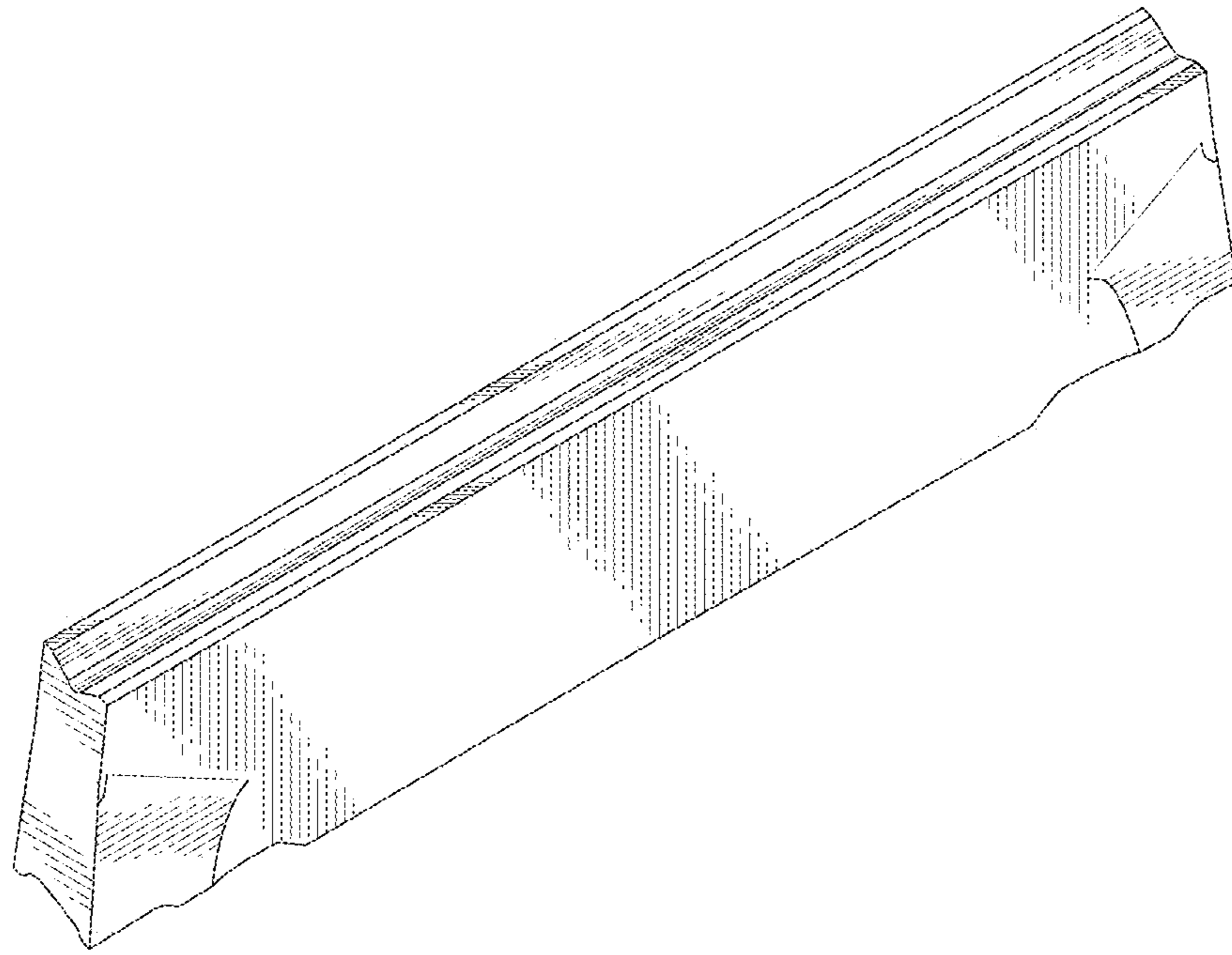


FIG. 12

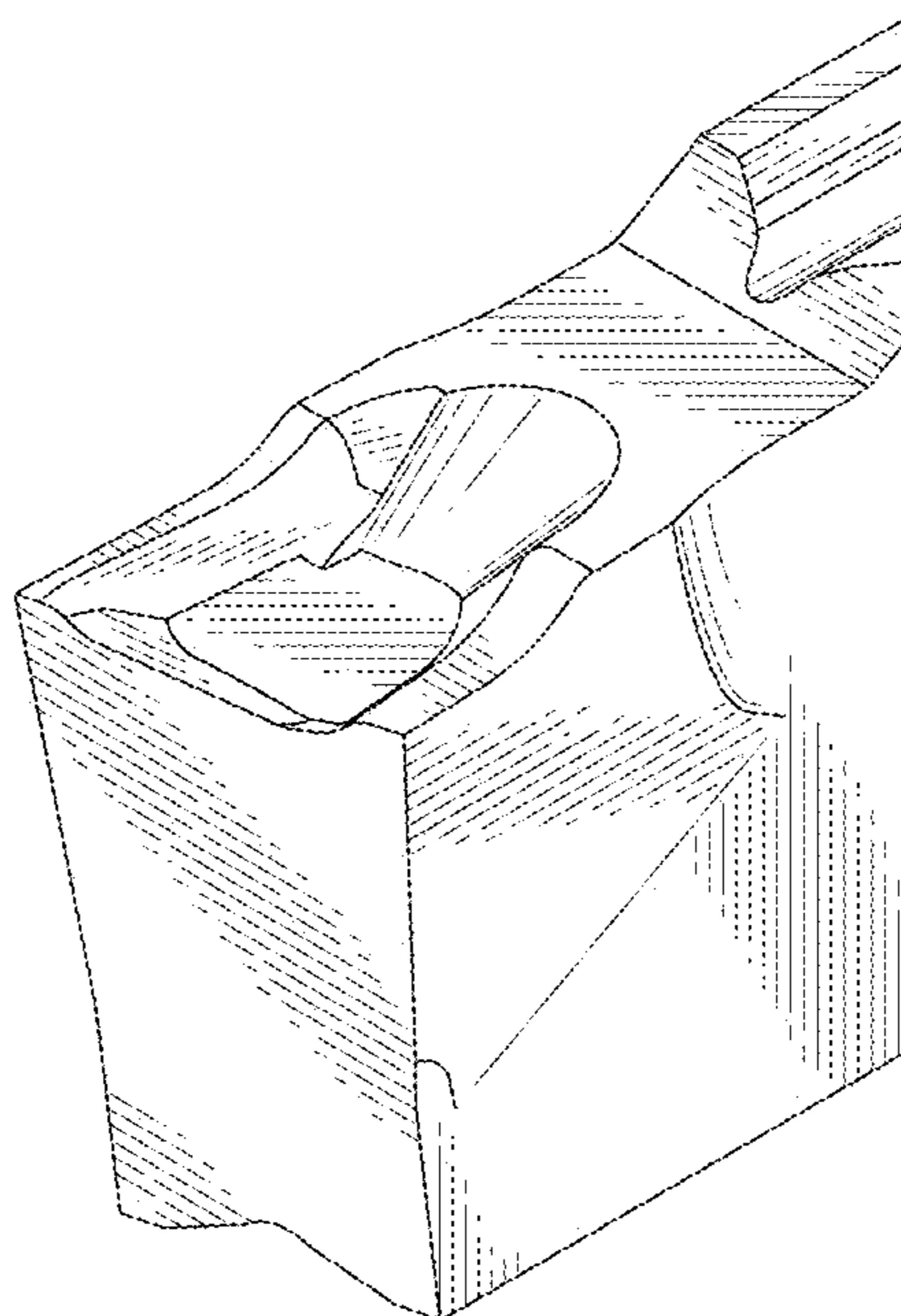


FIG. 13

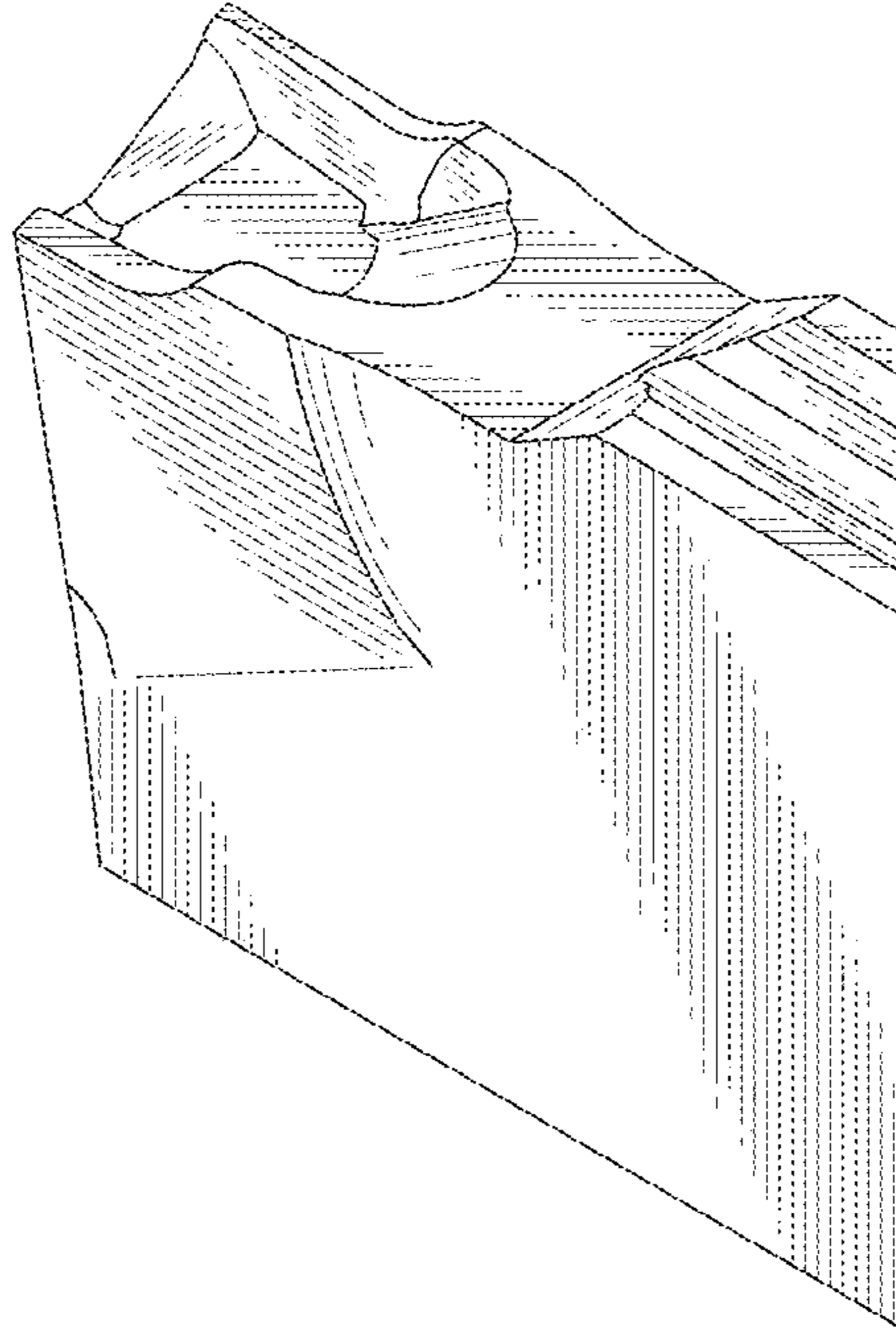


FIG. 14

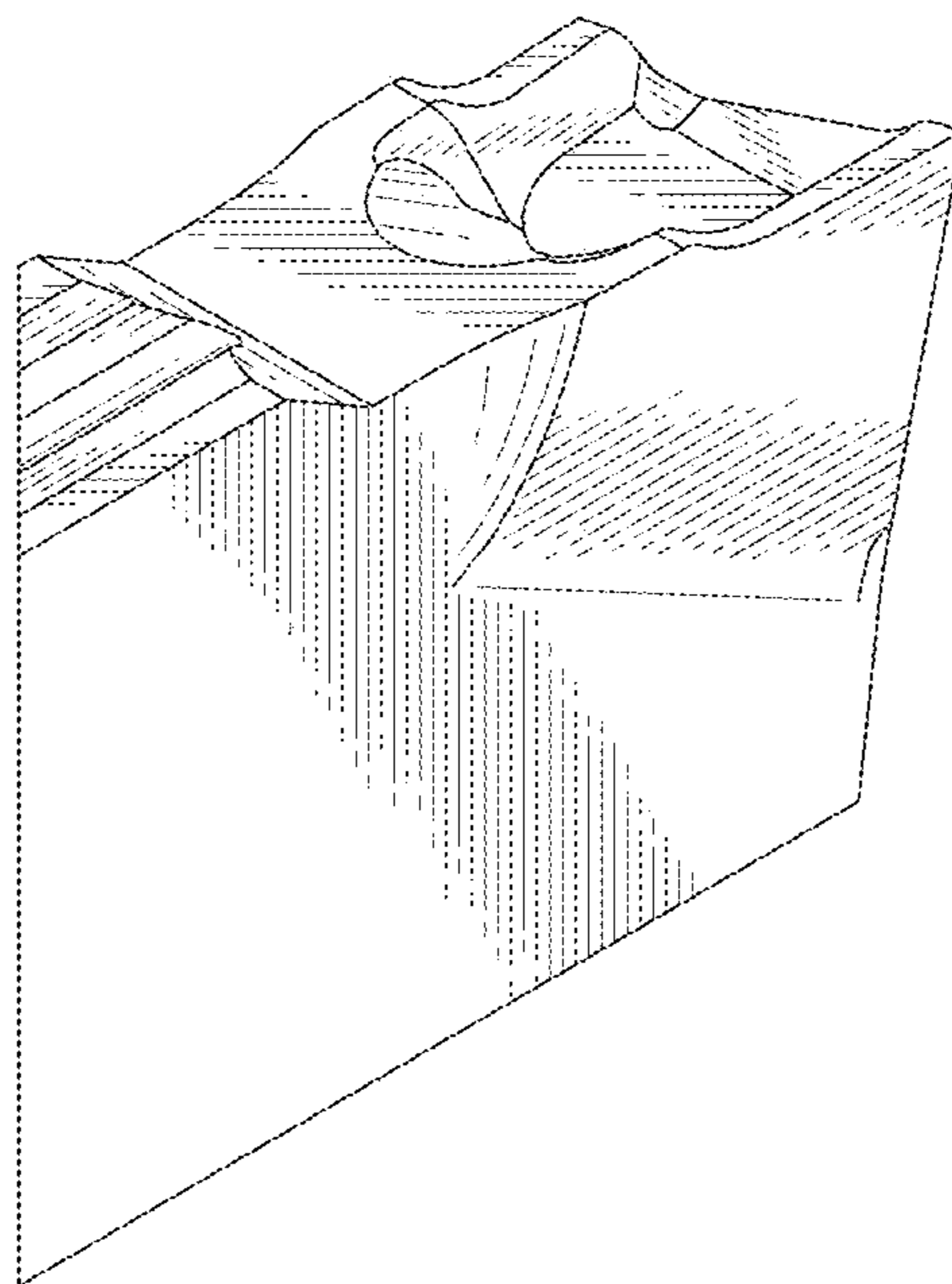


FIG. 15

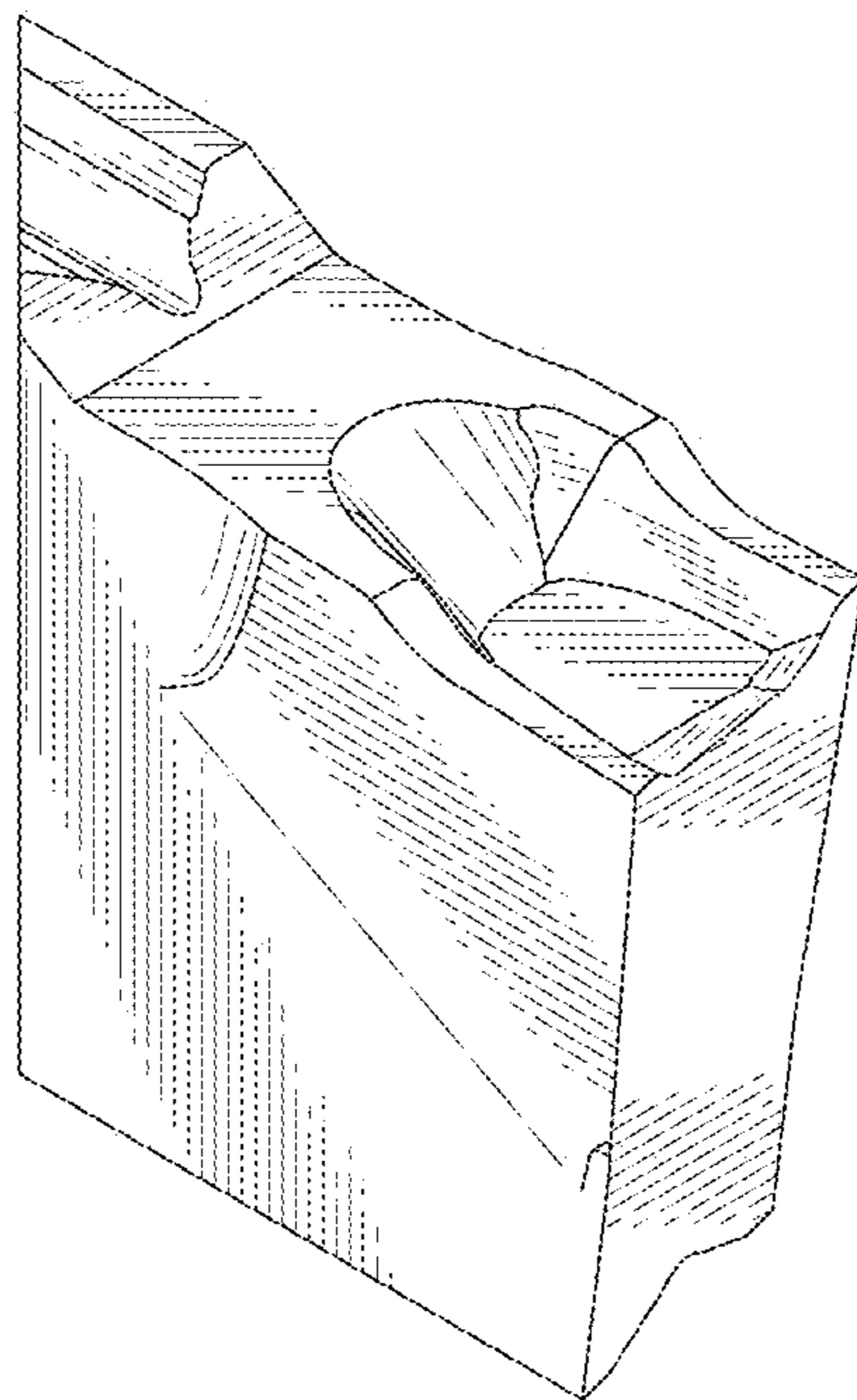


FIG. 16

