



US00D940764S

(12) **United States Design Patent**
Sun

(10) **Patent No.:** **US D940,764 S**

(45) **Date of Patent:** **** Jan. 11, 2022**

(54) **DIE HOLDING CONTAINER FOR A TABLET PRESSING MACHINE**

(71) Applicant: **LFA MACHINES OXFORD LTD,**
Chichester (GB)

(72) Inventor: **Eason Sun,** Chichester (GB)

(73) Assignee: **LFA MACHINES OXFORD LTD,**
Chichester (GB)

(**) Term: **15 Years**

(21) Appl. No.: **29/734,853**

(22) Filed: **May 15, 2020**

(30) **Foreign Application Priority Data**

Nov. 21, 2019 (EM) 007271218

(51) **LOC (13) Cl.** **15-09**

(52) **U.S. Cl.**
USPC **D15/136**

(58) **Field of Classification Search**
USPC D7/589, 590, 592, 596, 597, 600, 600.1,
D7/600.3, 601-603, 614, 701, 703;
D9/737, 739, 756, 759, 414, 429, 434,
D9/499; D15/135, 136, 80, 90, 122, 145,
D15/146, 199; D24/100, 101, 232
CPC ... A61K 9/2095; B30B 11/005; B30B 11/025;
B30B 11/04; B30B 15/028
See application file for complete search history.

(56) **References Cited**

U.S. PATENT DOCUMENTS

- 3,696,635 A * 10/1972 Fogt F25C 1/24
62/344
- D245,985 S * 10/1977 Talbert D15/90
- D342,267 S * 12/1993 Scholtz D15/136

- D356,803 S * 3/1995 Hupp D15/136
- D397,703 S * 9/1998 Williamson D15/136
- D406,595 S * 3/1999 Tunzi D15/90
- D475,375 S * 6/2003 Curry D15/136
- D482,050 S * 11/2003 Graham D15/136
- D636,412 S * 4/2011 Misse D15/90
- D657,405 S * 4/2012 Kinzalow D15/136
- D663,329 S * 7/2012 Hammer D15/136
- D676,070 S * 2/2013 Hammer D15/136
- D742,943 S * 11/2015 Parker D15/90
- D759,735 S * 6/2016 Tsai D15/90
- D857,766 S * 8/2019 Tseng D15/90
- D906,379 S * 12/2020 Sendowski D15/90
- D910,090 S * 2/2021 Chen D15/90
- D914,068 S * 3/2021 Chen D15/90

* cited by examiner

Primary Examiner — Michael C Stout

Assistant Examiner — Fritzgerald L Butac

(74) *Attorney, Agent, or Firm* — Birch, Stewart, Kolasch & Birch, LLP

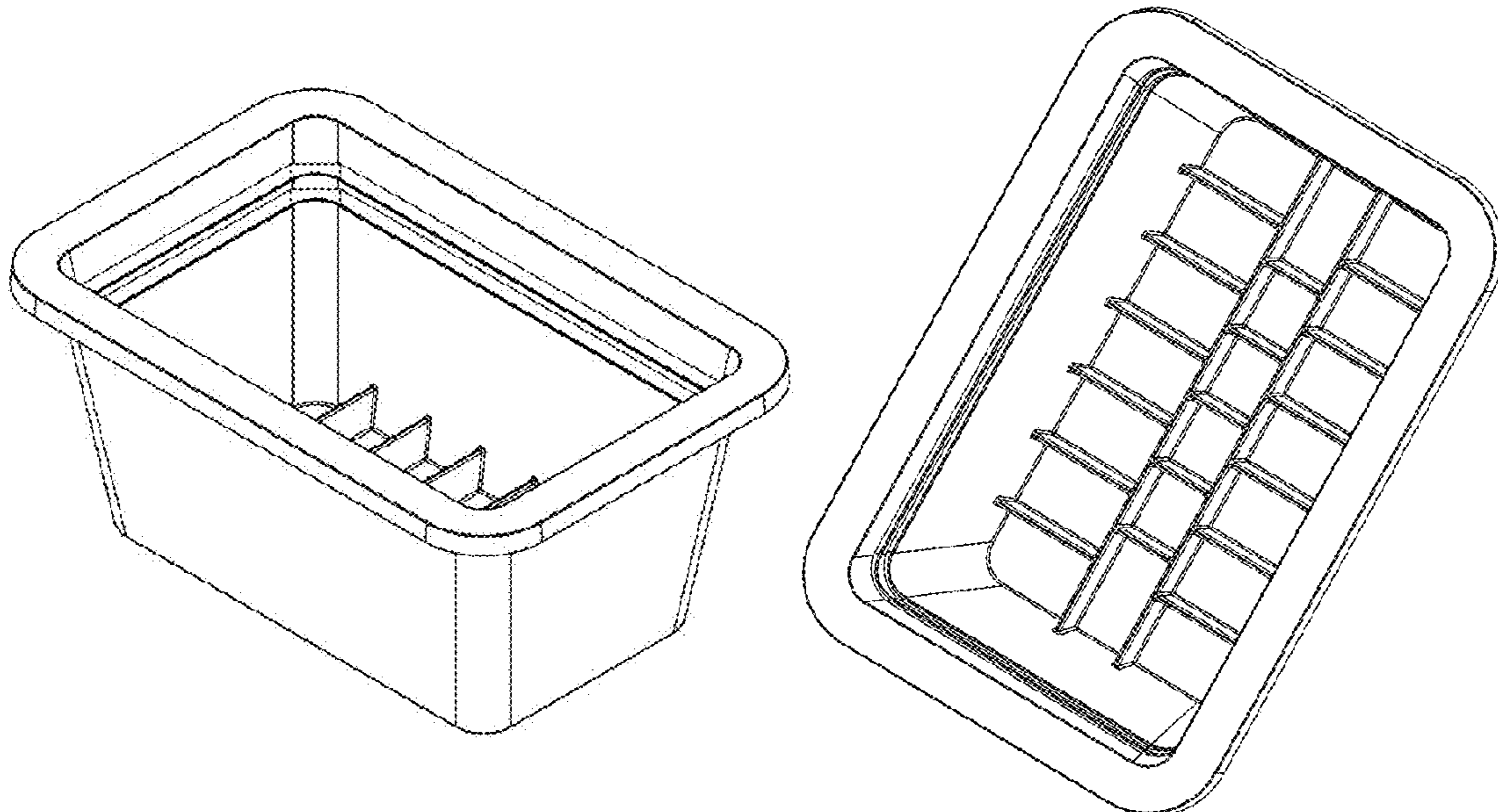
(57) **CLAIM**

The ornamental design for a die holding container for a tablet pressing machine, as shown and described.

DESCRIPTION

FIG. 1 is a first top perspective view of a die holding container for a tablet pressing machine;
 FIG. 2 is a second top perspective view thereof;
 FIG. 3 is a third top perspective view thereof;
 FIG. 4 is a fourth top perspective view thereof;
 FIG. 5 is a top plan view thereof;
 FIG. 6 is a bottom plan view thereof;
 FIG. 7 is a bottom side perspective view thereof;
 FIG. 8 is a front elevational view thereof, the rear view being a mirror image; and,
 FIG. 9 is a left side elevational view thereof, the right side being a mirror image.

1 Claim, 9 Drawing Sheets



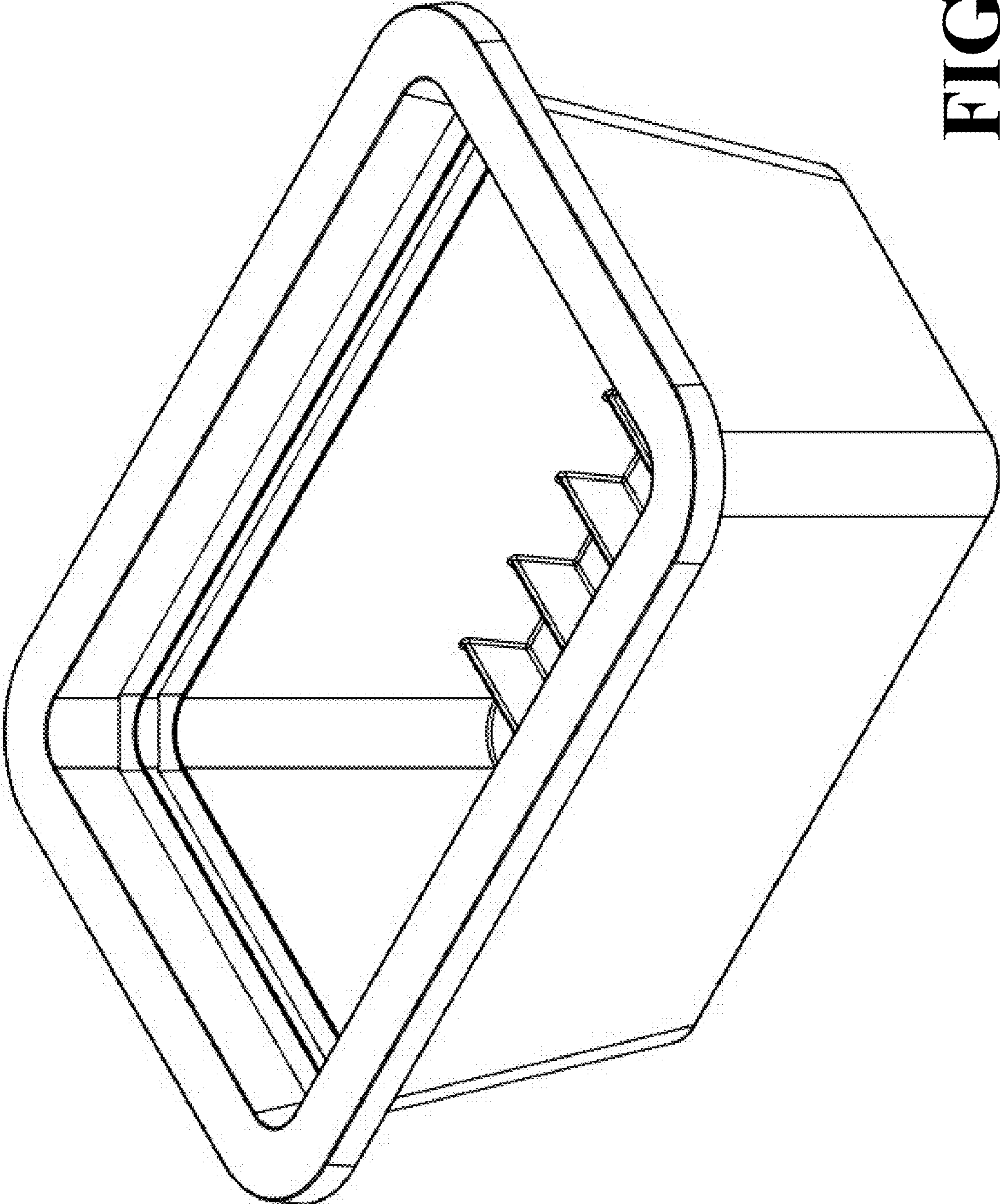


FIG. 1

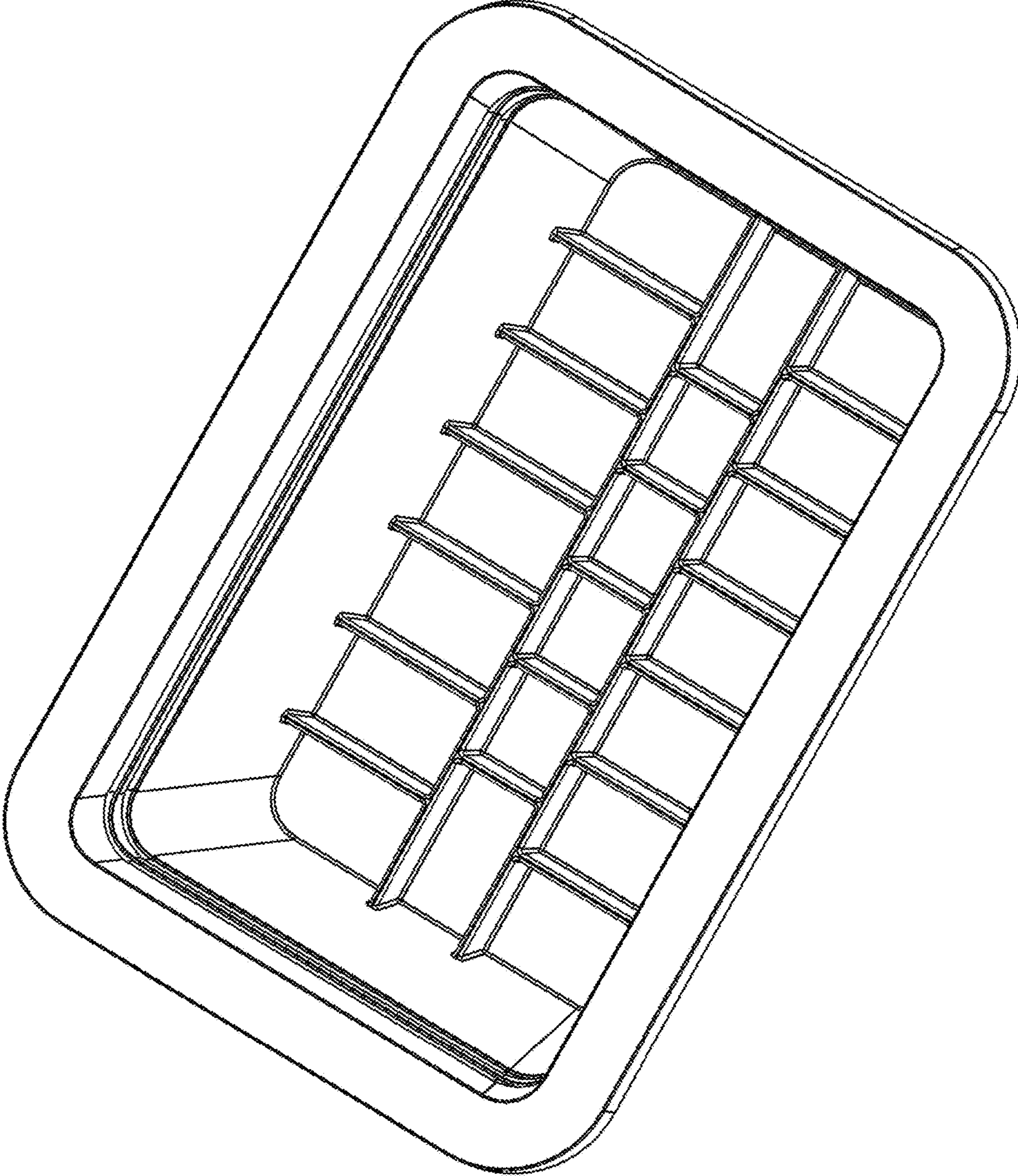


FIG. 2

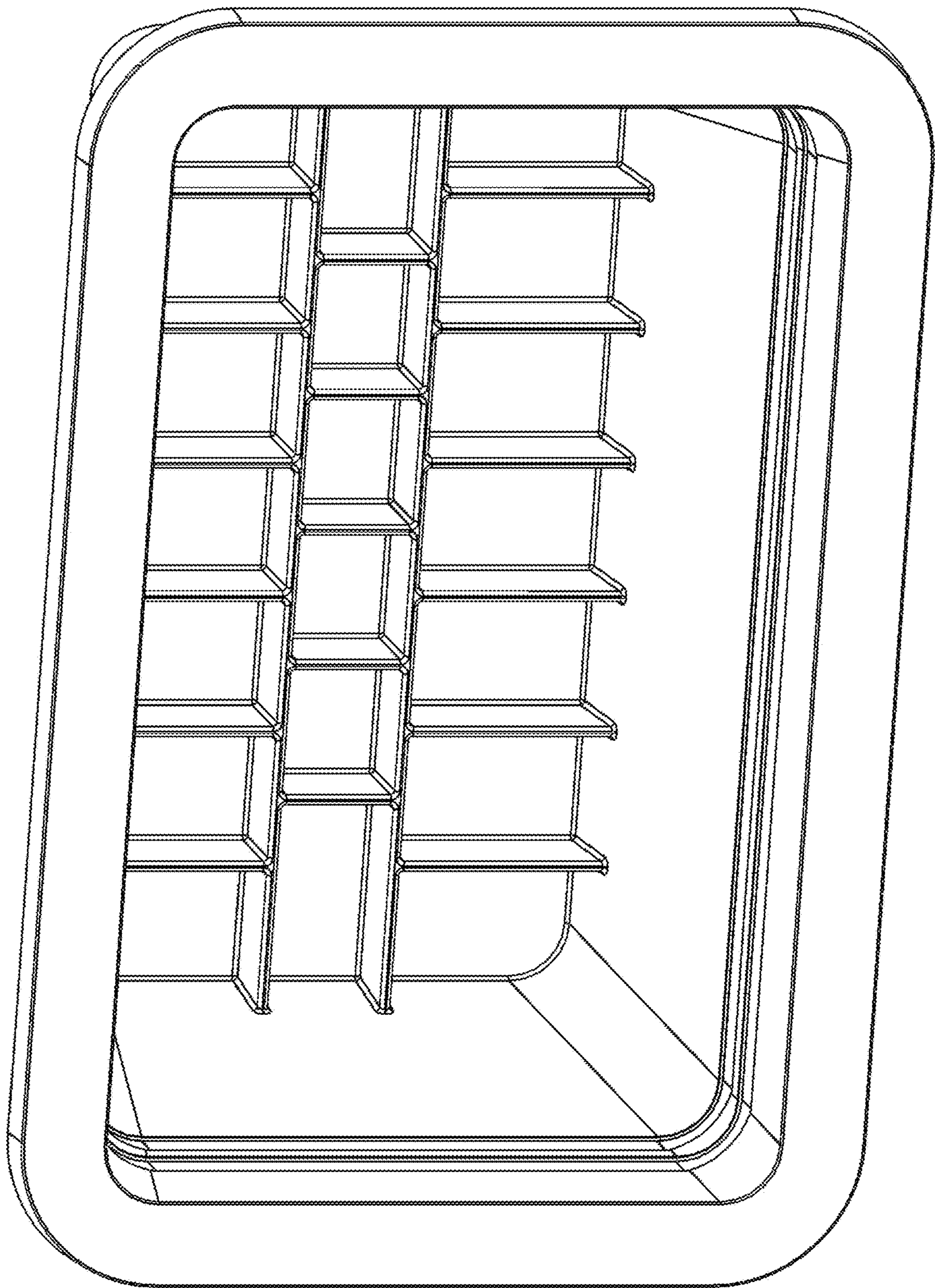


FIG. 3

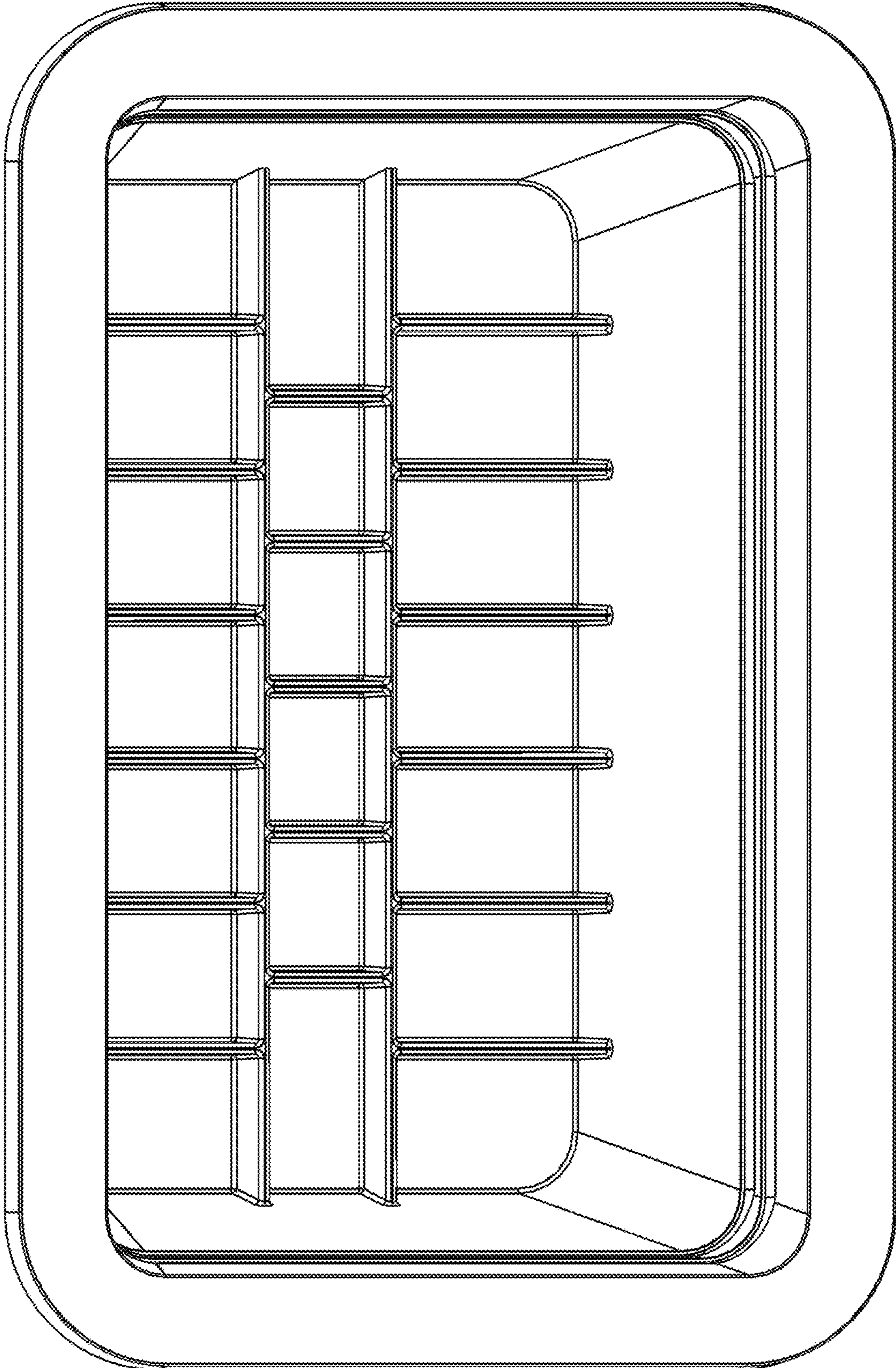


FIG. 4

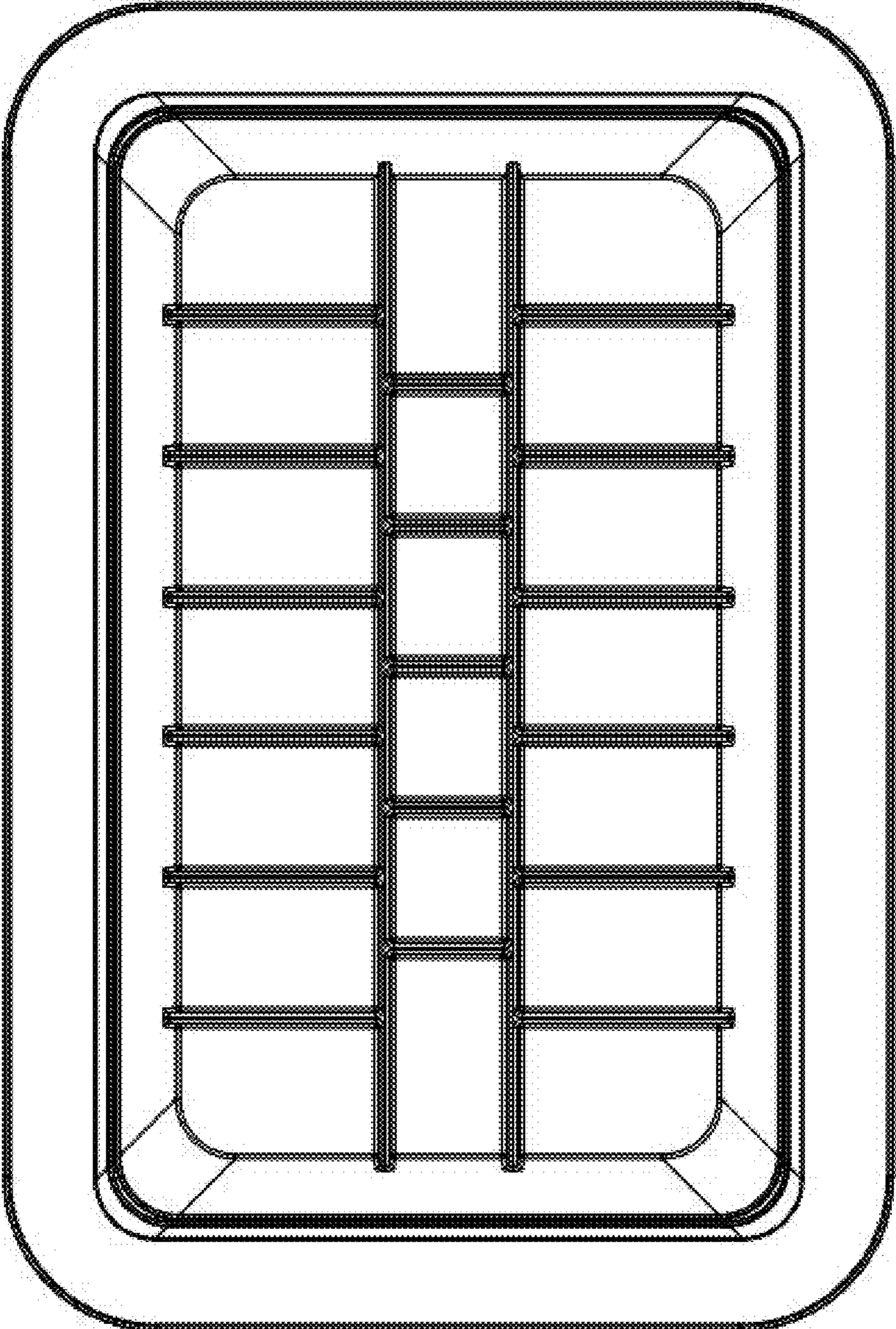


FIG. 5

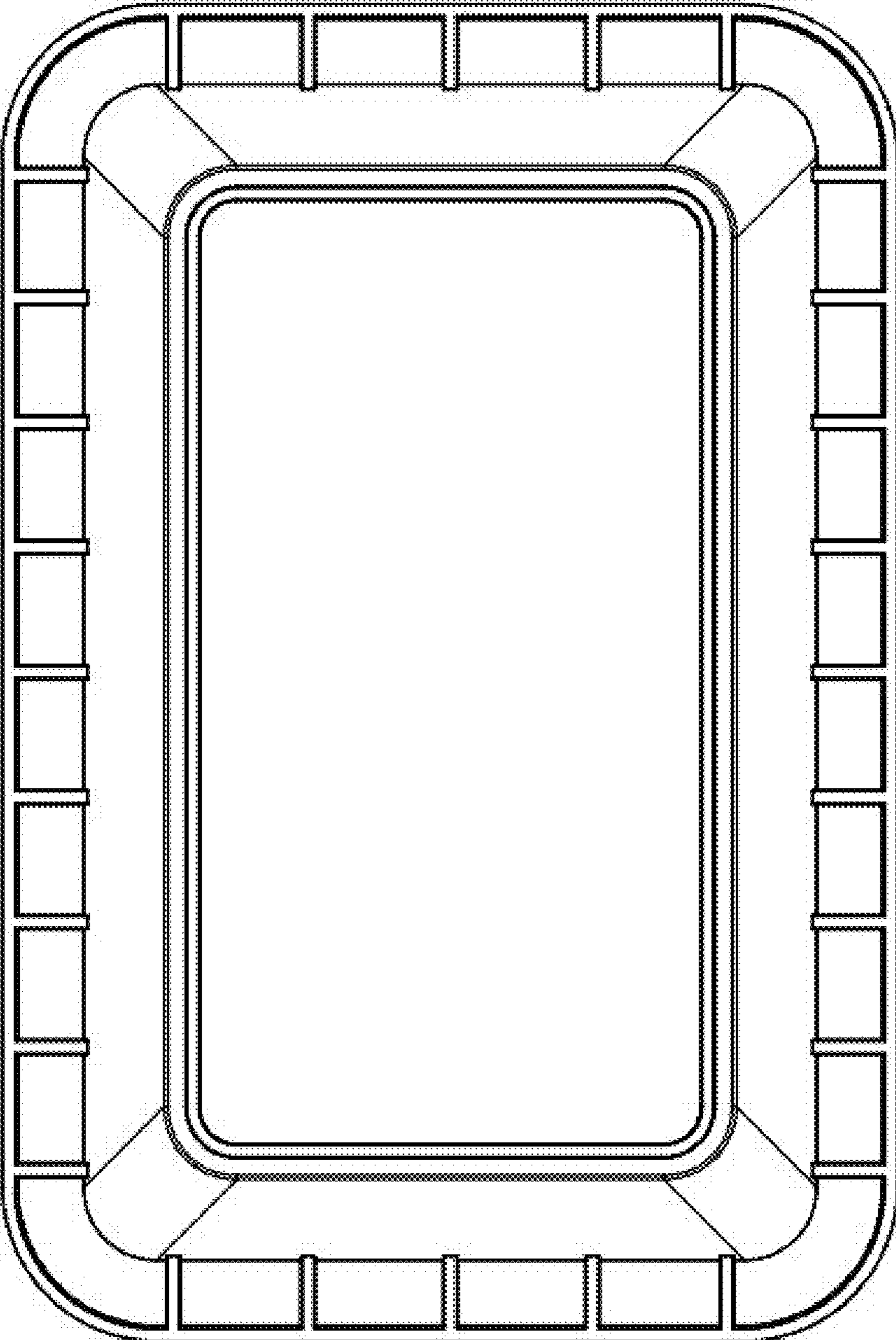


FIG. 6

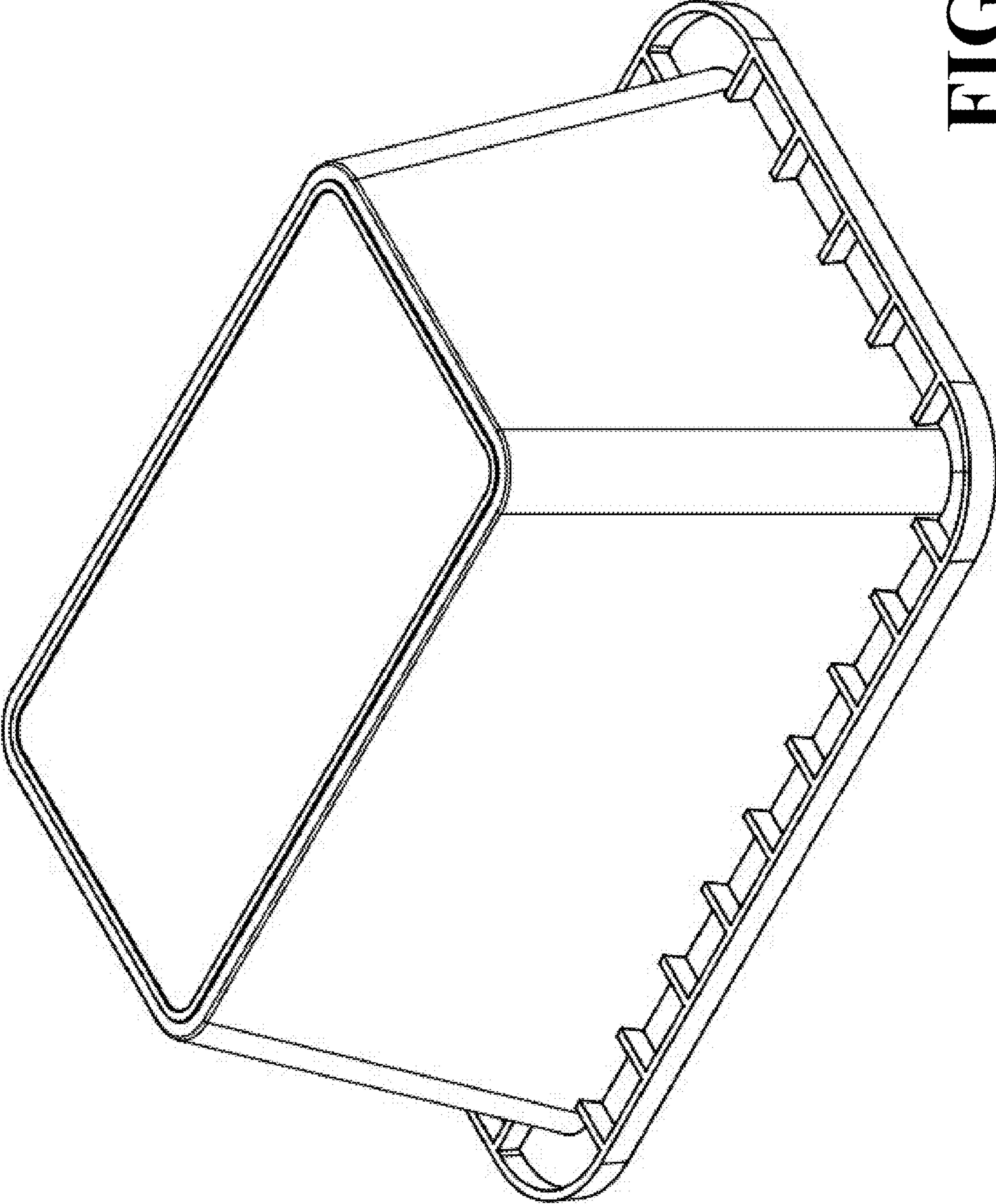


FIG. 7

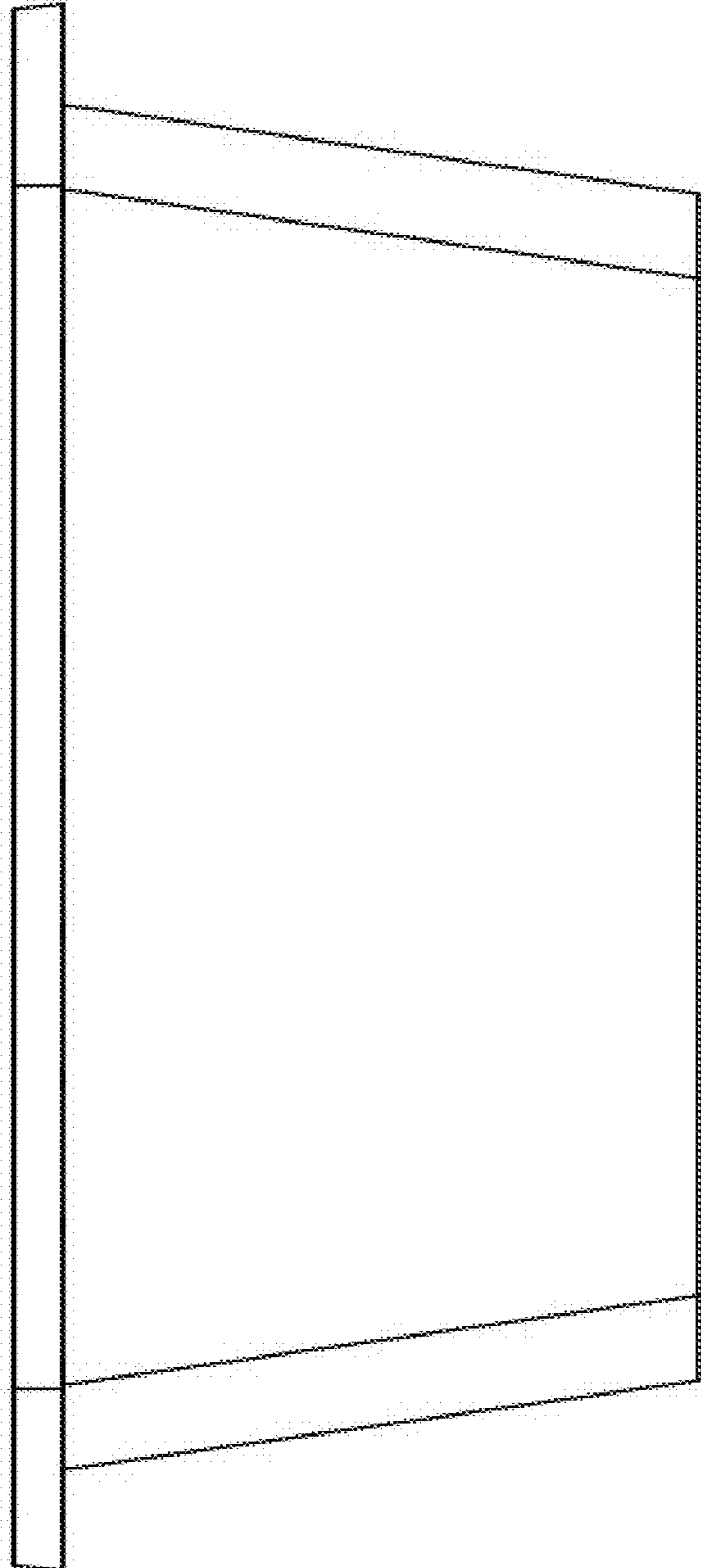


FIG. 8

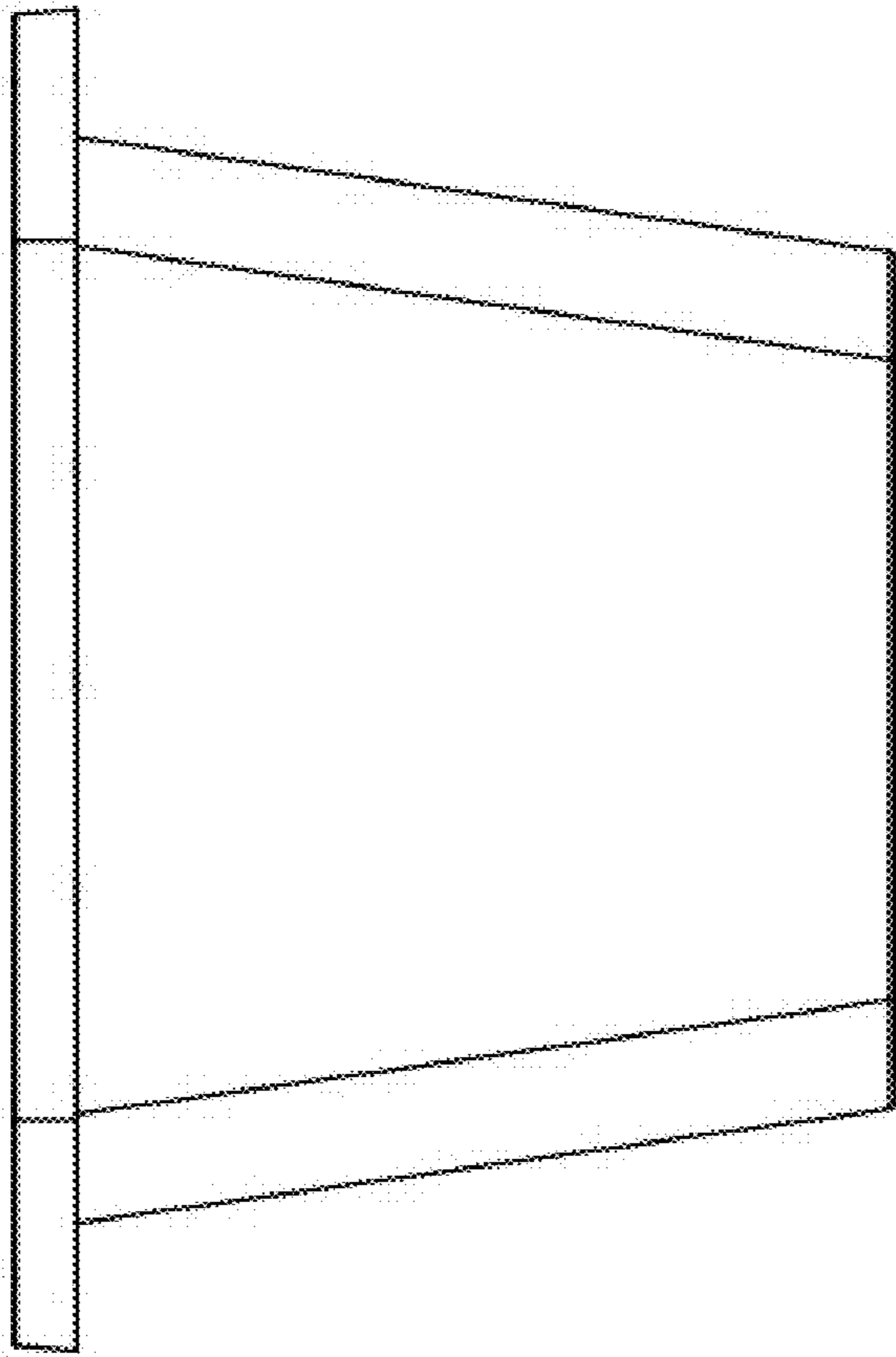


Fig. 9