



US00D940763S

(12) **United States Design Patent**
Zhao

(10) **Patent No.:** **US D940,763 S**
(45) **Date of Patent:** **** Jan. 11, 2022**

- (54) **ROCK TUMBLER**
- (71) Applicant: **Yuan Zhao**, Henan (CN)
- (72) Inventor: **Yuan Zhao**, Henan (CN)
- (**) Term: **15 Years**
- (21) Appl. No.: **29/778,225**
- (22) Filed: **Apr. 12, 2021**
- (51) **LOC (13) Cl.** **15-09**
- (52) **U.S. Cl.**
USPC **D15/124**
- (58) **Field of Classification Search**
USPC D15/123, 24, 125, 126
CPC B24B 31/00; B24B 31/02
See application file for complete search history.

- 3,861,654 A * 1/1975 Singleton B08B 3/06
366/234
- 4,045,918 A * 9/1977 Freedman B24B 31/027
451/328
- 5,586,925 A * 12/1996 DiNorcica, Sr. B24B 1/007
451/328
- 6,254,466 B1 * 7/2001 Mucciacciaro B24B 31/02
451/104
- 6,431,366 B2 * 8/2002 Fallon B07B 1/46
209/311
- D757,136 S 5/2016 Yu
- 9,421,664 B1 * 8/2016 Yu B24B 31/02
- D854,066 S * 7/2019 Colgrove B07B 1/36
D15/147
- 2021/0260717 A1 * 8/2021 Gedlick B24B 31/02

* cited by examiner

Primary Examiner — Patricia A Palasik
(74) *Attorney, Agent, or Firm* — ScienBiziP, P.C.

(56) **References Cited**
U.S. PATENT DOCUMENTS

- 105,711 A * 7/1870 Miller B24B 31/02
451/328
- 268,180 A * 11/1882 Butterfield B24B 31/02
451/328
- 295,867 A * 3/1884 Griffen B24B 31/02
366/233
- 1,297,400 A * 3/1919 Ransohoff B24B 31/02
451/328
- 1,508,345 A * 9/1924 Lupo, Jr. B24B 31/02
451/328
- 1,946,440 A * 2/1934 Herrmann B24B 31/02
451/32
- 2,983,084 A * 5/1961 Romine B24B 31/02
451/328
- 3,129,536 A * 4/1964 William B24B 31/027
451/326
- 3,380,670 A * 4/1968 Baptiste B02C 17/02
241/91
- 3,765,131 A * 10/1973 Christensen B24B 31/02
451/328

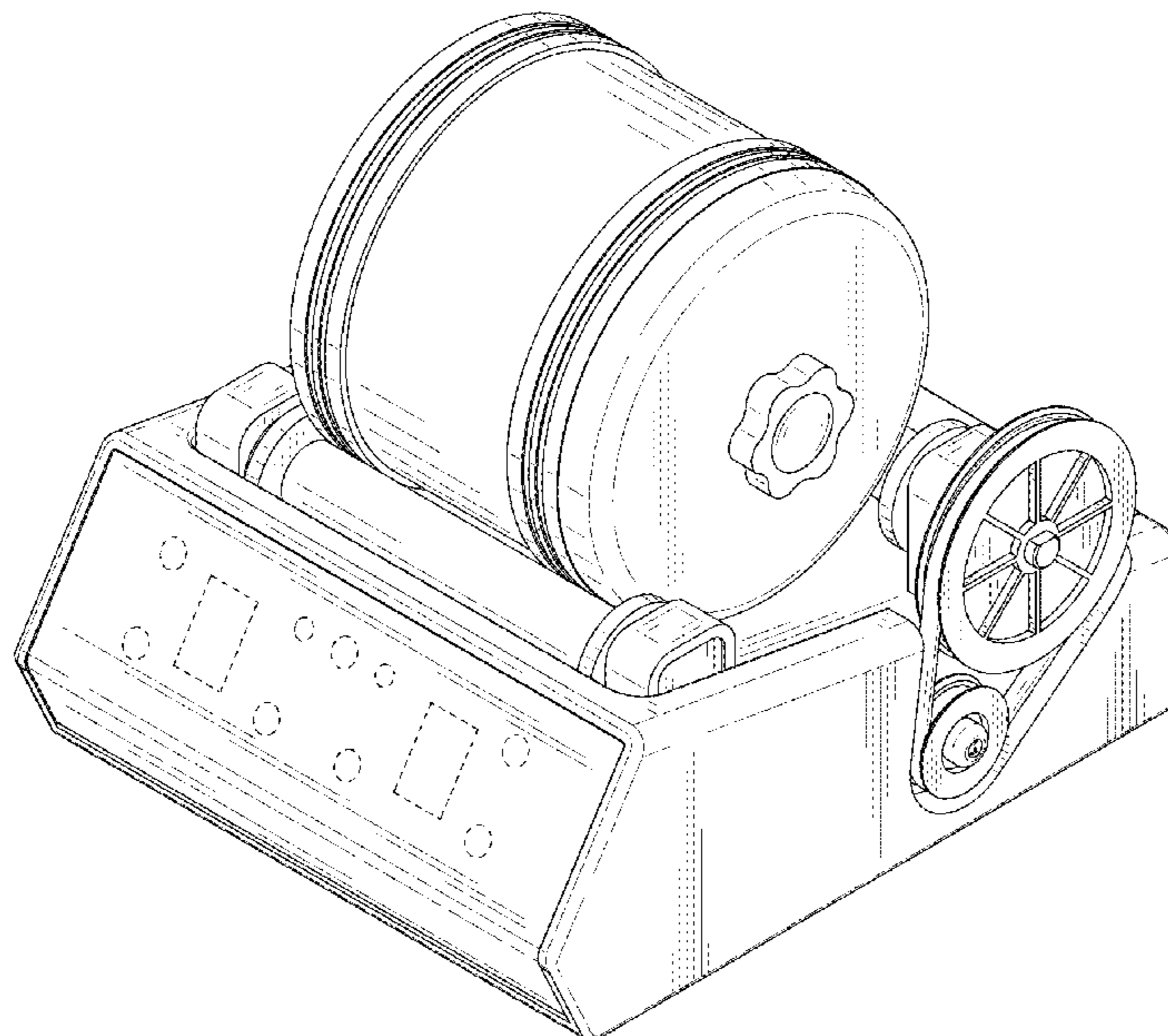
(57) **CLAIM**

The ornamental design for a rock tumbler, as shown and described.

DESCRIPTION

FIG. 1 is a front, right, and top perspective view of a rock tumbler, showing my design.
 FIG. 2 is a rear, left, and bottom perspective view thereof.
 FIG. 3 is a front elevation view thereof.
 FIG. 4 is a rear elevation view thereof.
 FIG. 5 is a left side elevation view thereof.
 FIG. 6 is a right side elevation view thereof.
 FIG. 7 is a top plan view thereof; and,
 FIG. 8 is a bottom plan view thereof.
 The broken lines shown in the drawings are included for the purpose of illustrating portions of the rock tumbler that form no part of the claimed design.

1 Claim, 8 Drawing Sheets



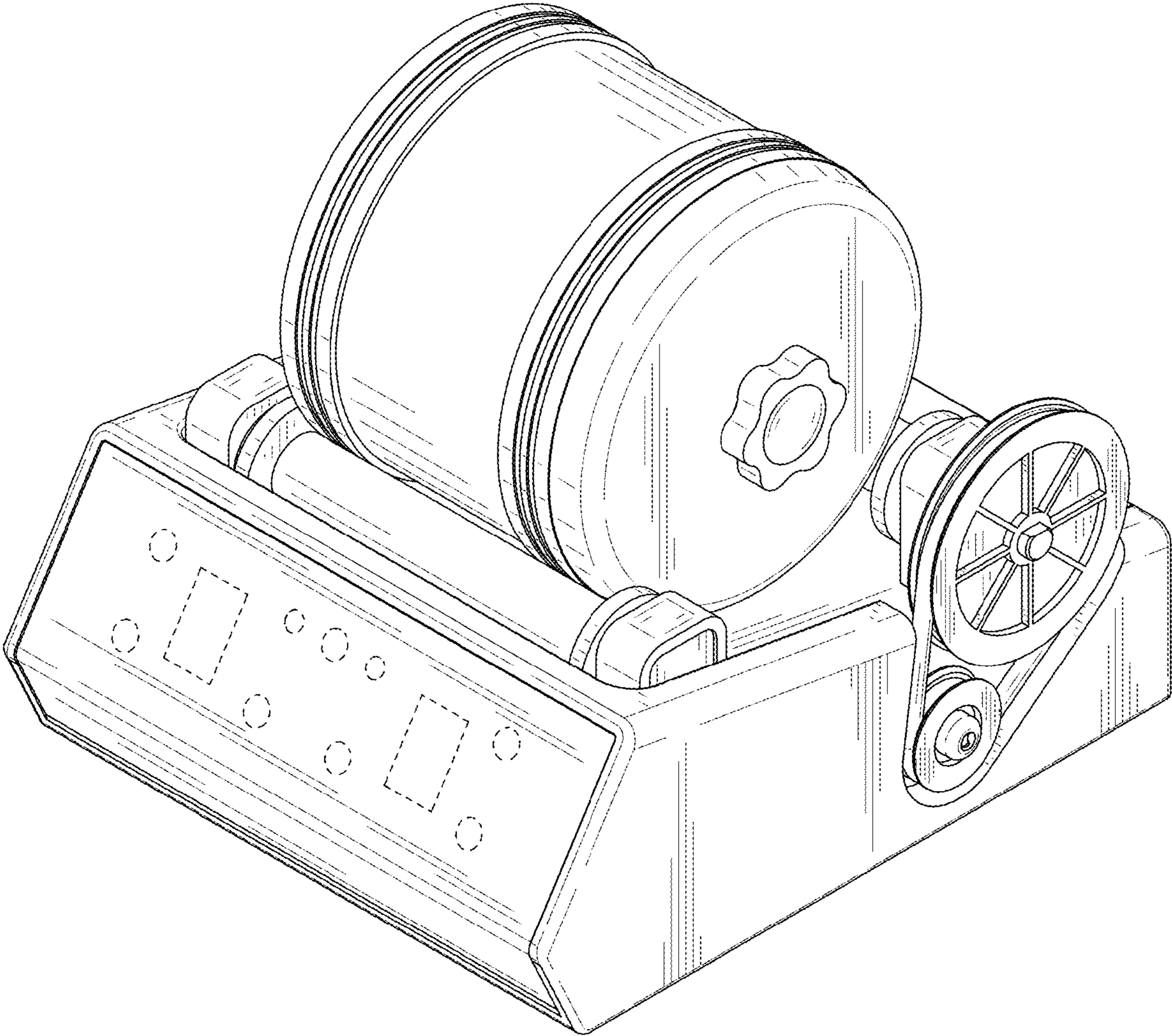


FIG. 1

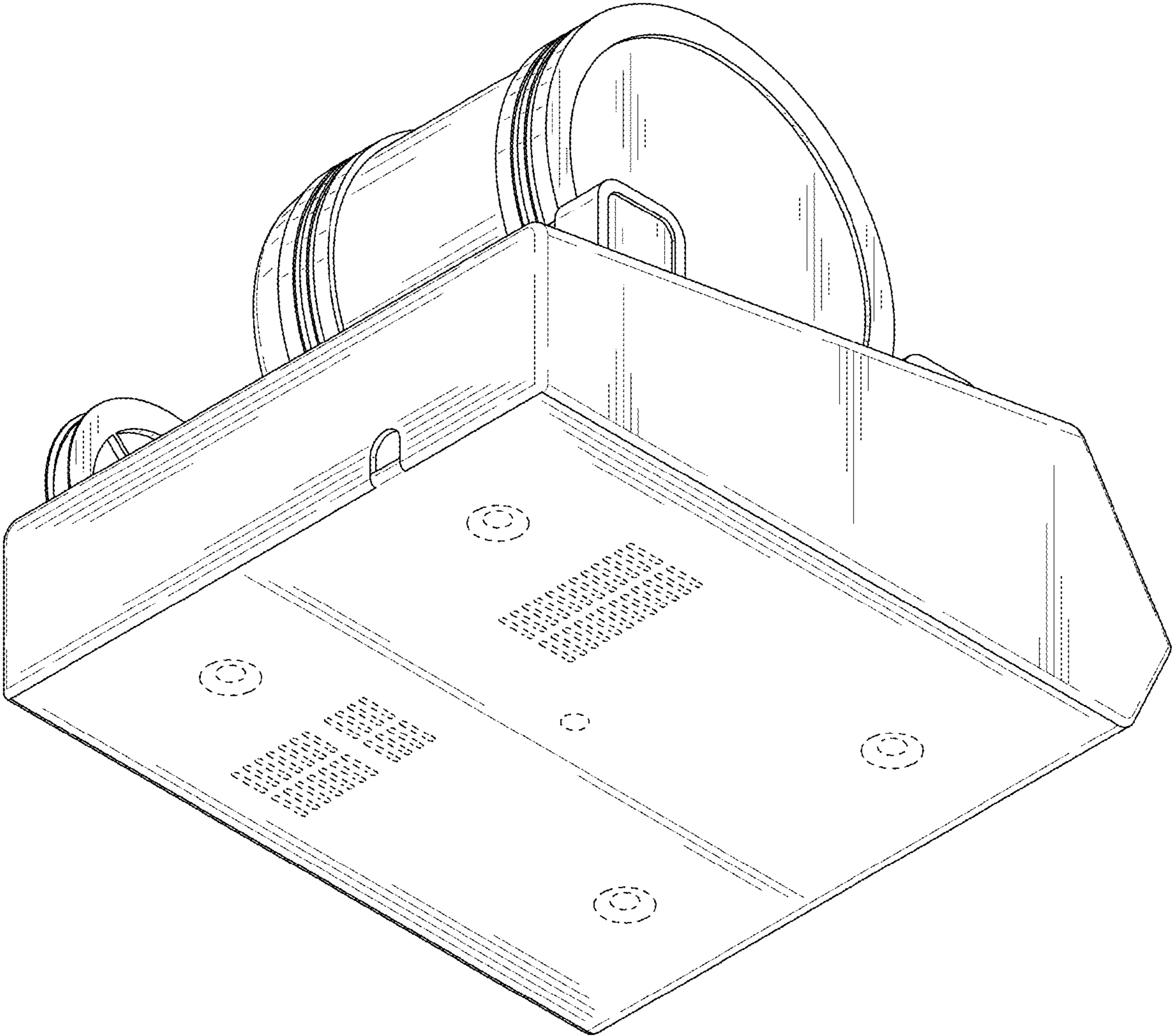


FIG. 2

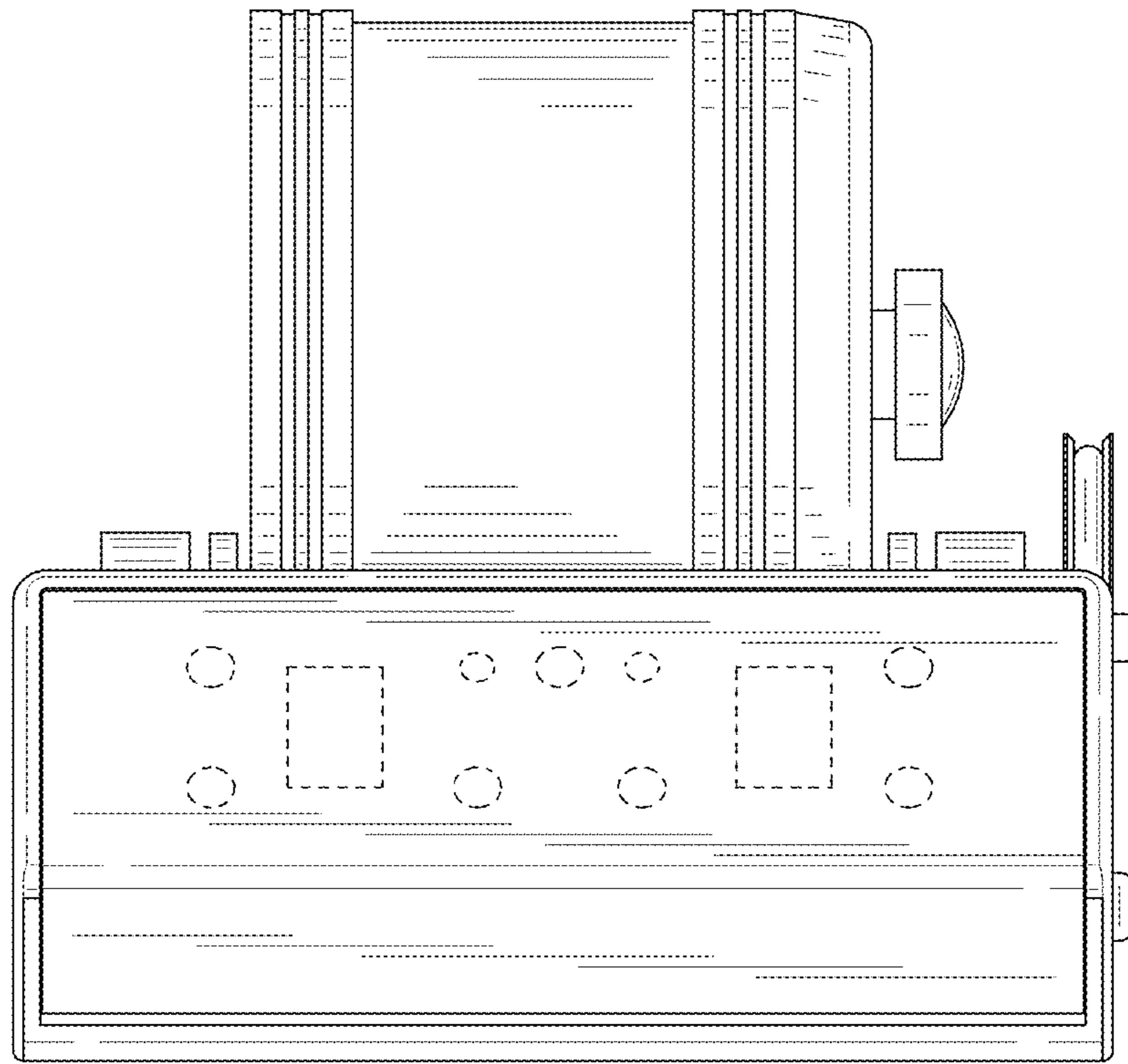


FIG. 3

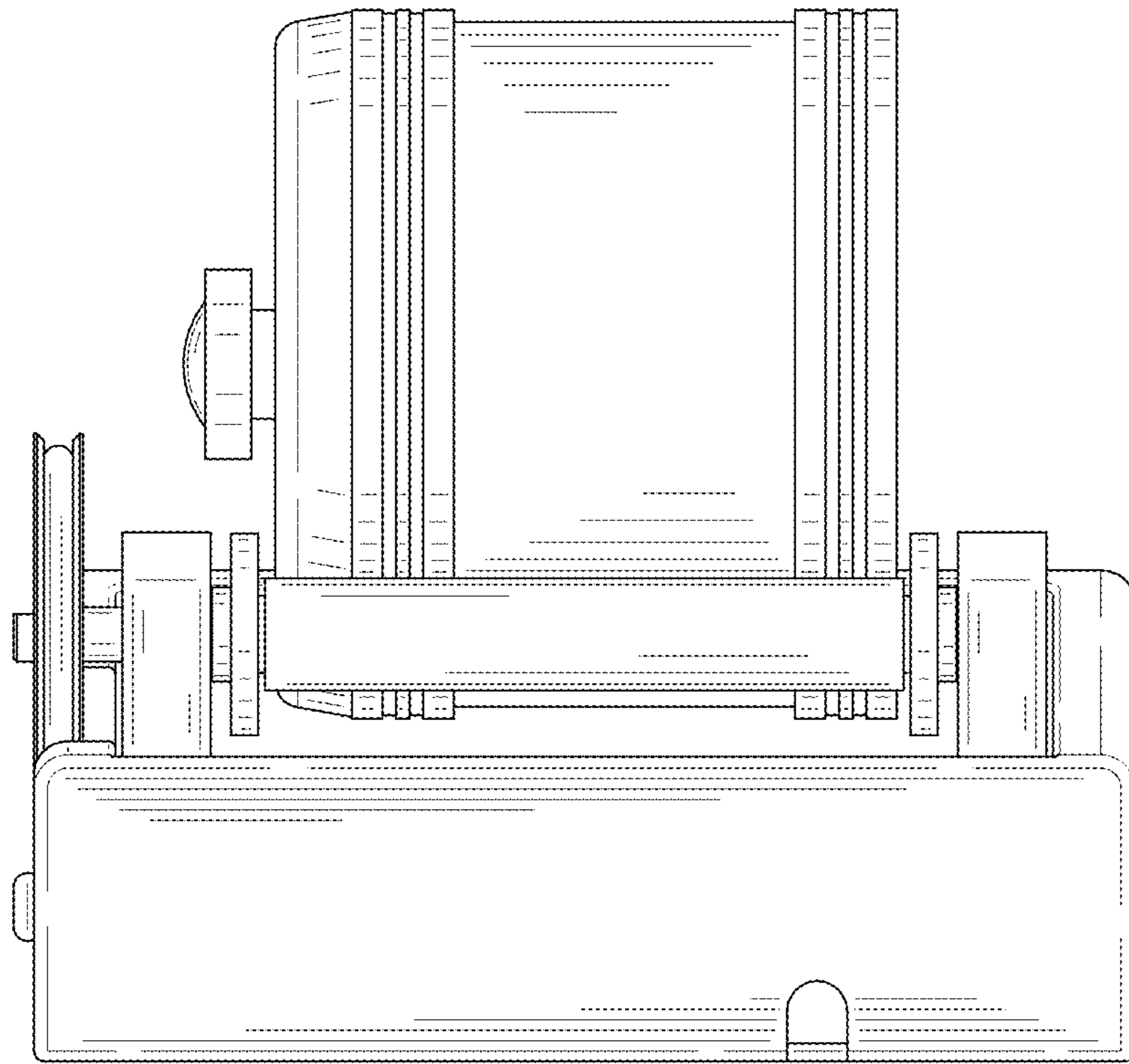


FIG. 4

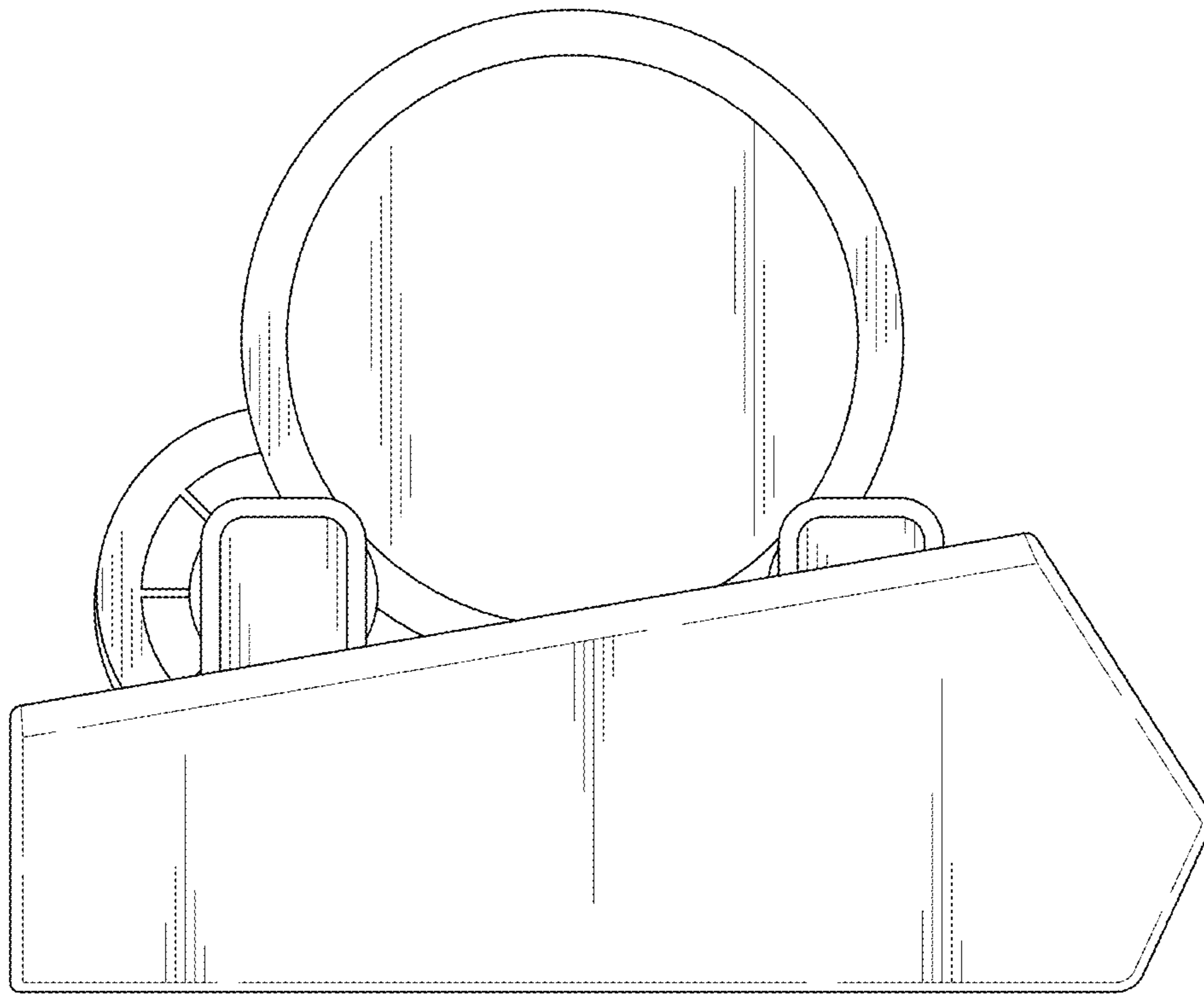


FIG. 5

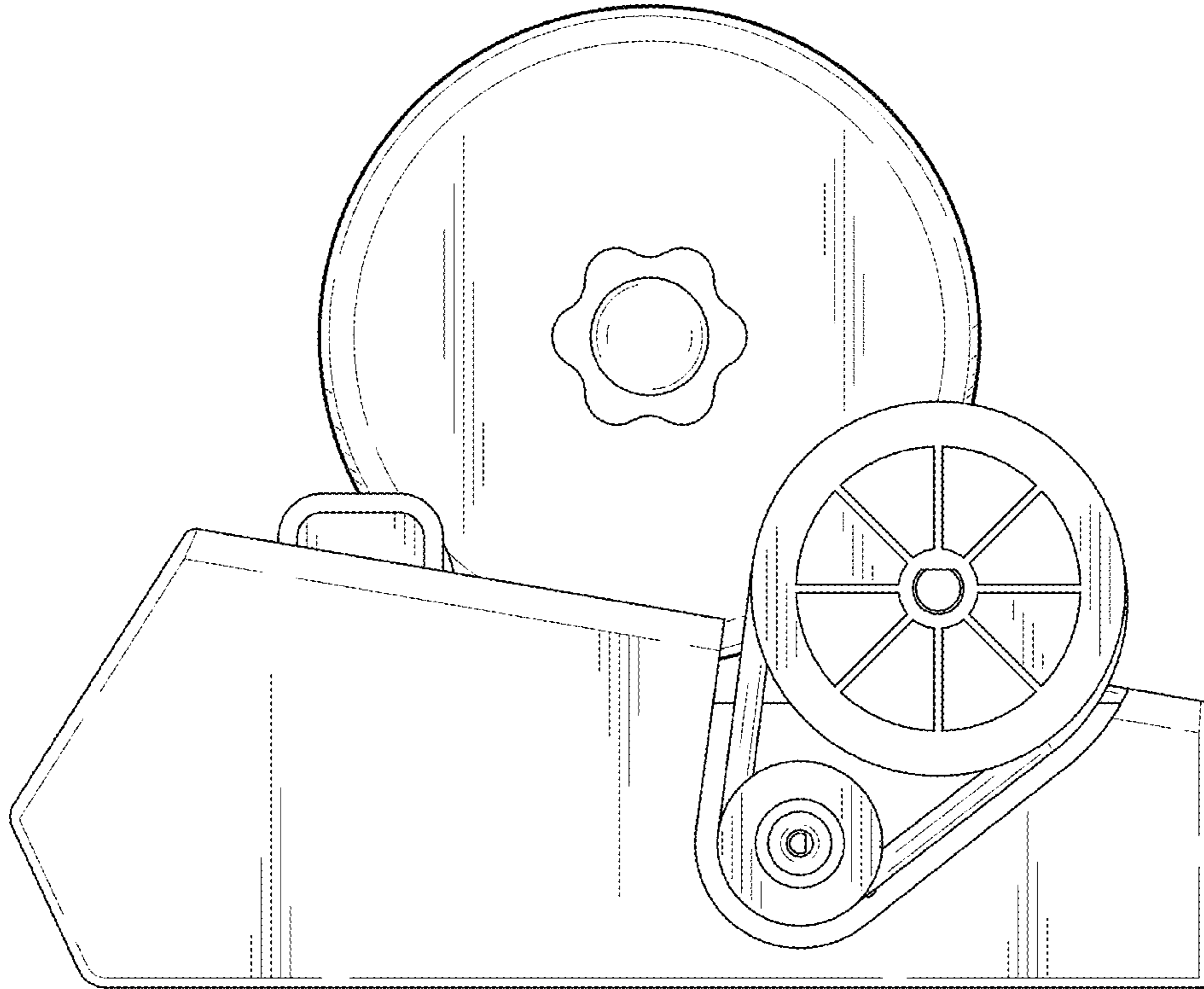


FIG. 6

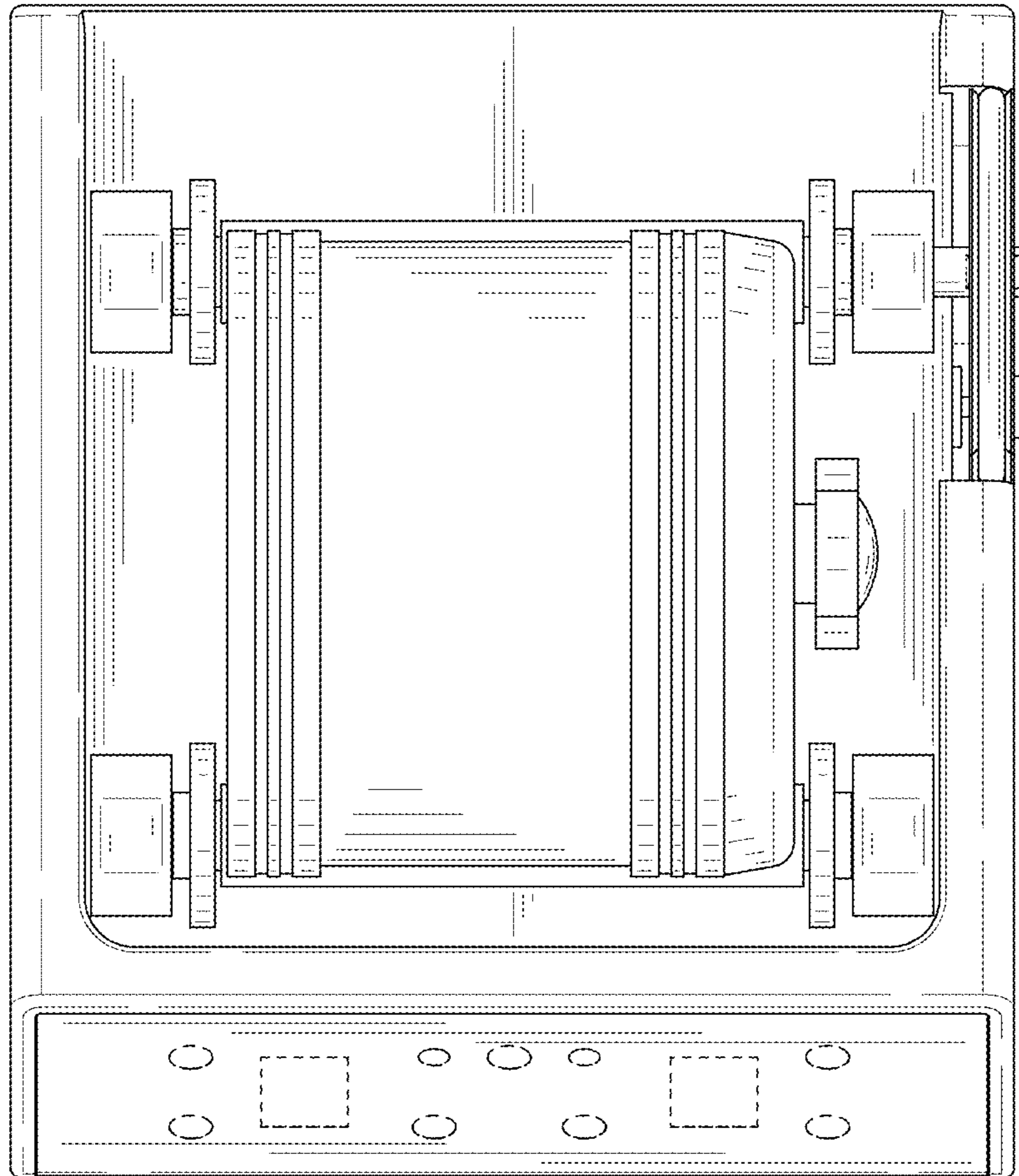


FIG. 7

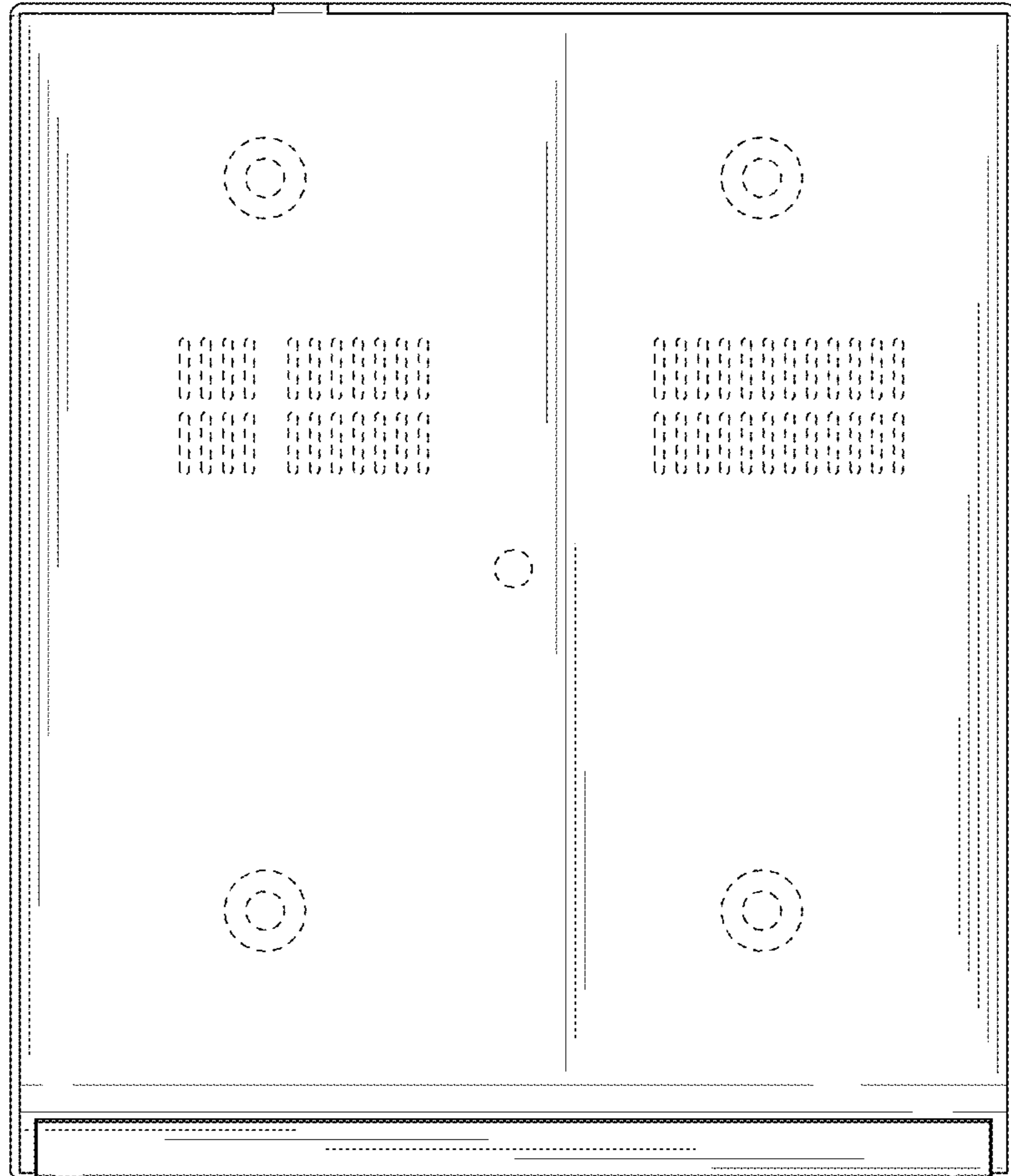


FIG. 8