

US00D940760S

(12) **United States Design Patent**
Arribau

(10) **Patent No.:** **US D940,760 S**
(45) **Date of Patent:** **** Jan. 11, 2022**

- (54) **MIXING PUMP IMPELLER**
- (71) Applicant: **Colina**, Englewood, CO (US)
- (72) Inventor: **Jorge O. Arribau**, Englewood, CO (US)
- (**) Term: **15 Years**
- (21) Appl. No.: **29/730,480**
- (22) Filed: **Apr. 4, 2020**
- (51) **LOC (13) Cl.** **15-02**
- (52) **U.S. Cl.**
USPC **D15/7**
- (58) **Field of Classification Search**
USPC D13/118, 179; D15/7-9, 126, 147;
D23/338, 379, 411, 413, 414; D7/376,
D7/377; D24/111
CPC F04D 9/00; F04D 9/02; F04D 7/00; F04D
7/02; F04D 7/04; F04D 7/06; F04D 5/00;
F04D 3/00; F04D 3/02; F04D 29/04;
F04D 29/18; F04D 29/22; F04D 29/24;
F04D 29/62; F04D 29/66
See application file for complete search history.

(56) **References Cited**

U.S. PATENT DOCUMENTS

2,907,278	A *	10/1959	Emerick	F04D 29/2255
					415/206
3,362,338	A *	1/1968	Stethem	F04D 29/2233
					416/183
D258,588	S *	3/1981	Sugiura	D15/7
D268,112	S *	3/1983	Sugiura	D15/7
D563,544	S *	3/2008	Hwang	D23/413
D579,883	S *	11/2008	Hwang	D13/179
8,545,091	B1 *	10/2013	Arribau	B01F 5/22
					366/3
D776,166	S	1/2017	Obuchi et al.		
D810,789	S *	2/2018	Cinotti	D15/7
D828,400	S *	9/2018	Cinotti	D15/7

D921,874	S *	6/2021	Oh	D23/379
2011/0129344	A1 *	6/2011	Burgess	F04D 29/2288
					416/182
2011/0243732	A1 *	10/2011	Yang	F04D 29/2255
					416/91
2013/0183155	A1 *	7/2013	Stoicescu	F04D 29/2277
					416/175

(Continued)

OTHER PUBLICATIONS

Dayton, PP07003G, (site visited Sep. 21, 2021), Grainger website, URL:<<https://www.grainger.com/product/23AT70>> (Year: 2021).*

Primary Examiner — Sheryl Lane
Assistant Examiner — Mark T. Philipps
(74) *Attorney, Agent, or Firm* — Reilly Intellectual Property Law Firm

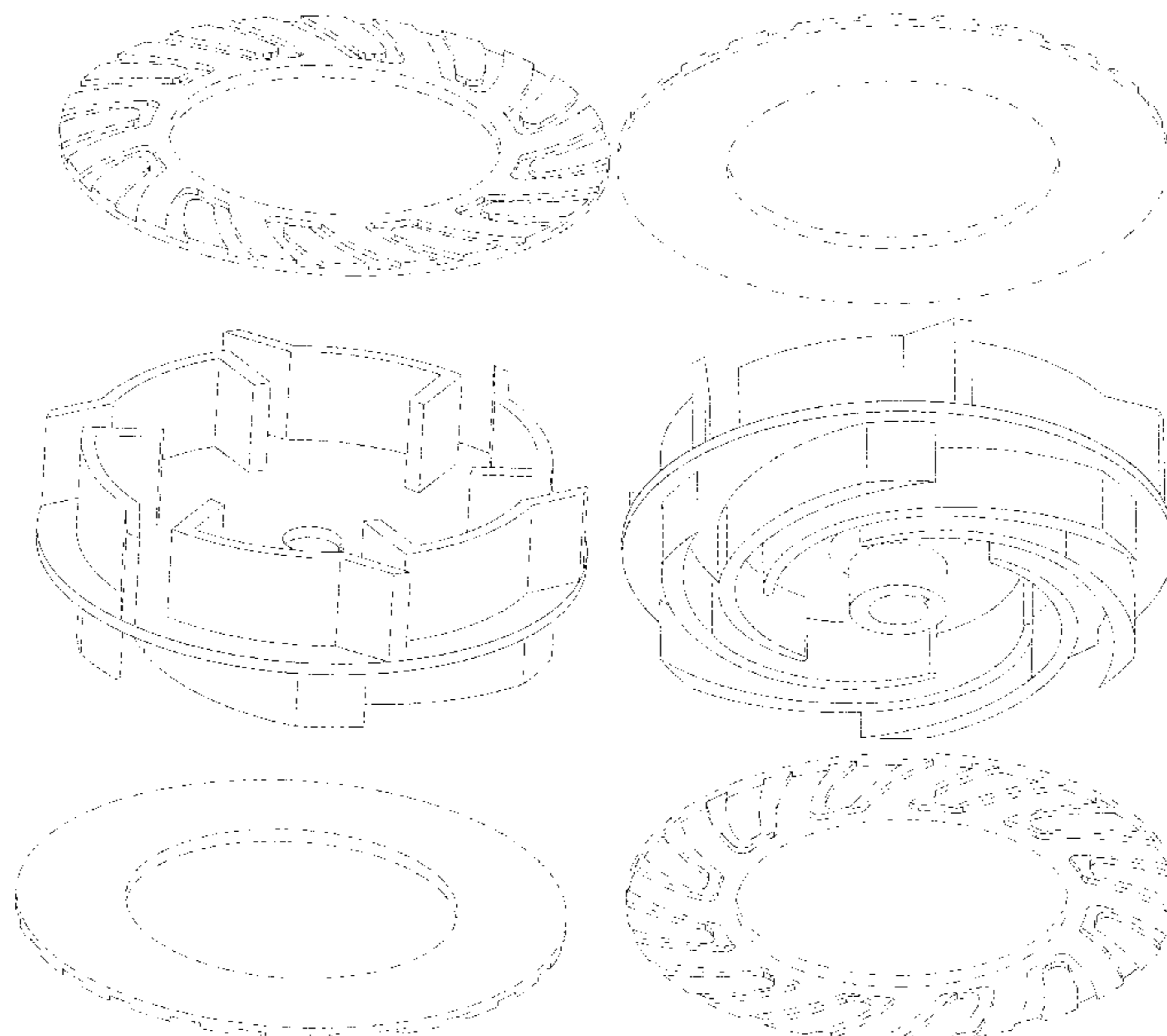
(57) **CLAIM**

The ornamental design for a mixing pump impeller, as shown and described.

DESCRIPTION

FIG. 1 is a front perspective view of a mixing pump impeller;
FIG. 2 is a side view of FIG. 1;
FIG. 3 is a top view of FIG. 1 with the top plate removed;
FIG. 4 is an alternate side view of FIG. 2;
FIG. 5 is a bottom view of FIG. 1 with the bottom plate removed;
FIG. 6 is a side view of FIG. 1;
FIG. 7 is an alternate side view of FIG. 6;
FIG. 8 is an exploded top perspective view of FIG. 1; and,
FIG. 9 is an exploded bottom perspective view of FIG. 1.
The broken line portion of FIGS. 1, 2, 4, 5, 6, 7, 8 and 9 is included to show environment that forms no part of the claimed design.

1 Claim, 6 Drawing Sheets



(56)

References Cited

U.S. PATENT DOCUMENTS

2014/0030099 A1* 1/2014 Hayman F04D 29/2222
416/219 R
2014/0078856 A1* 3/2014 Arribau B01F 3/1221
366/177.1
2015/0292516 A1* 10/2015 Ree F04D 7/045
415/203
2015/0337665 A1* 11/2015 Yang F04D 29/669
416/228
2018/0142696 A1* 5/2018 Le Dore F04D 29/2222
2019/0003322 A1* 1/2019 Rettberg B23K 26/342
2020/0032808 A1* 1/2020 Pae F04D 13/06
2020/0088208 A1* 3/2020 Liu F04D 29/30
2021/0003134 A1* 1/2021 Sinico F04D 17/08
2021/0062819 A1* 3/2021 Sakanassi Garcia
F04D 29/242

* cited by examiner

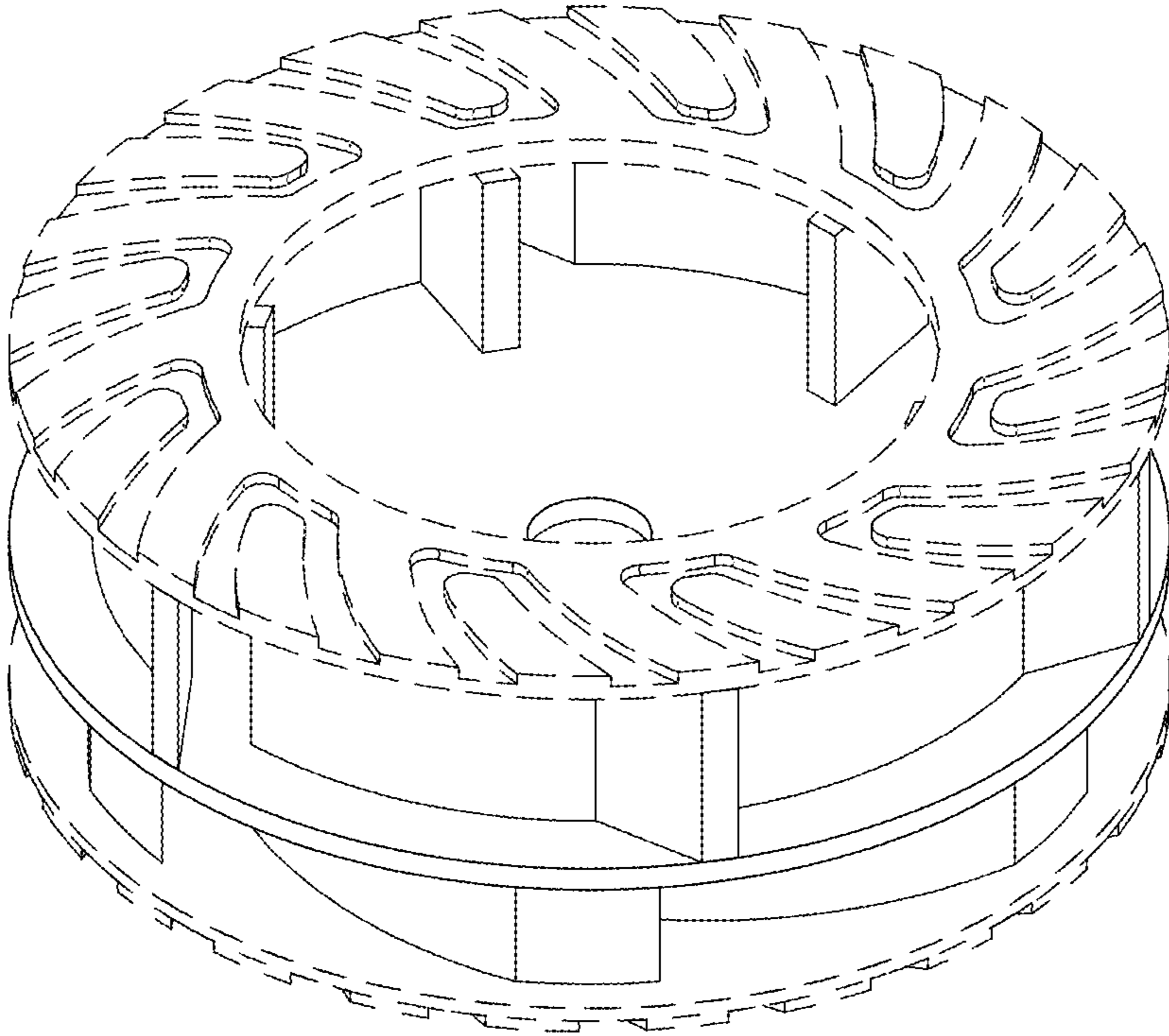


Fig. 1

Fig. 2

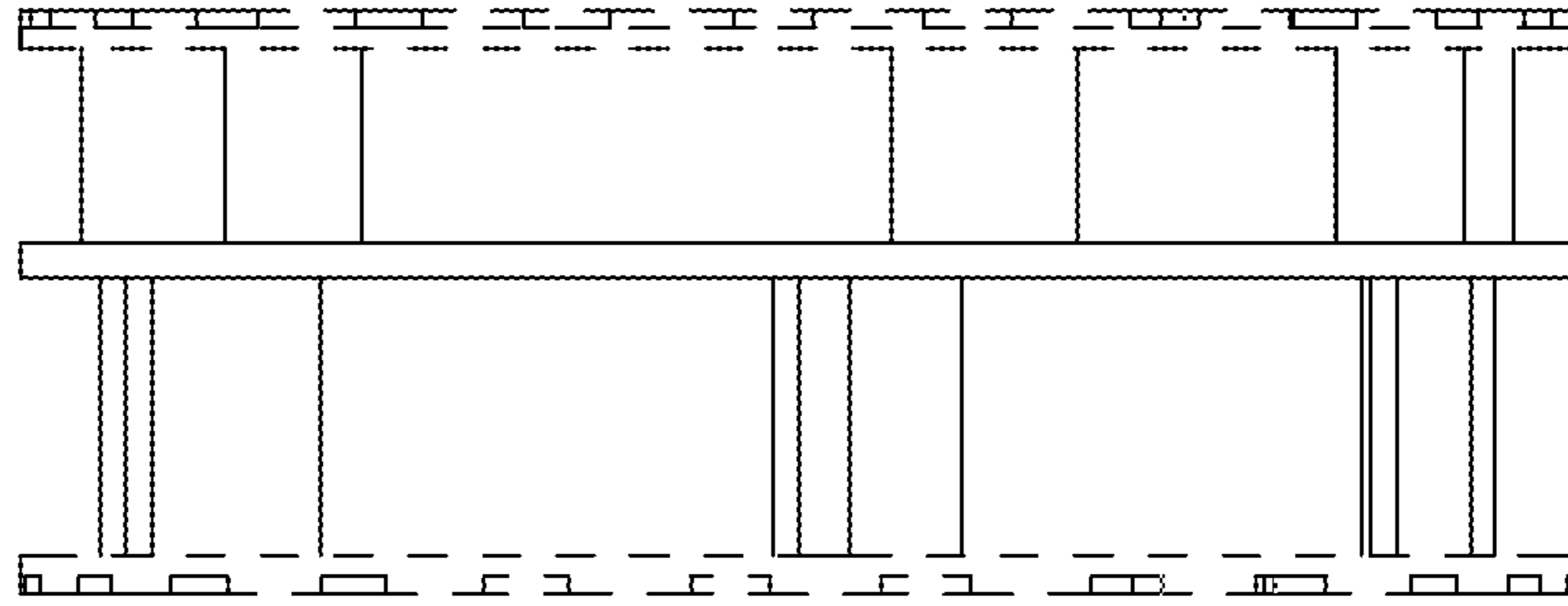


Fig. 3

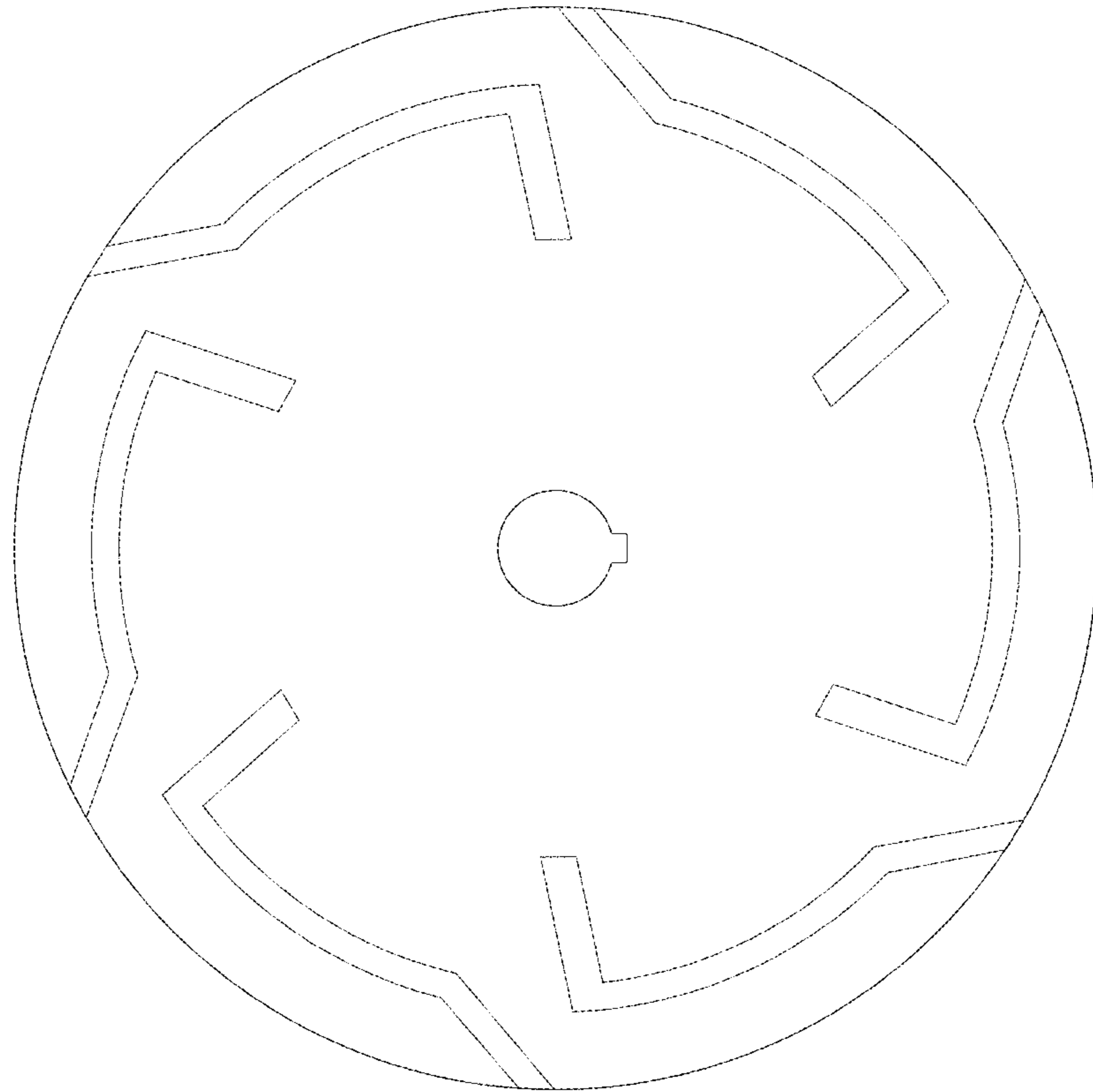


Fig. 4

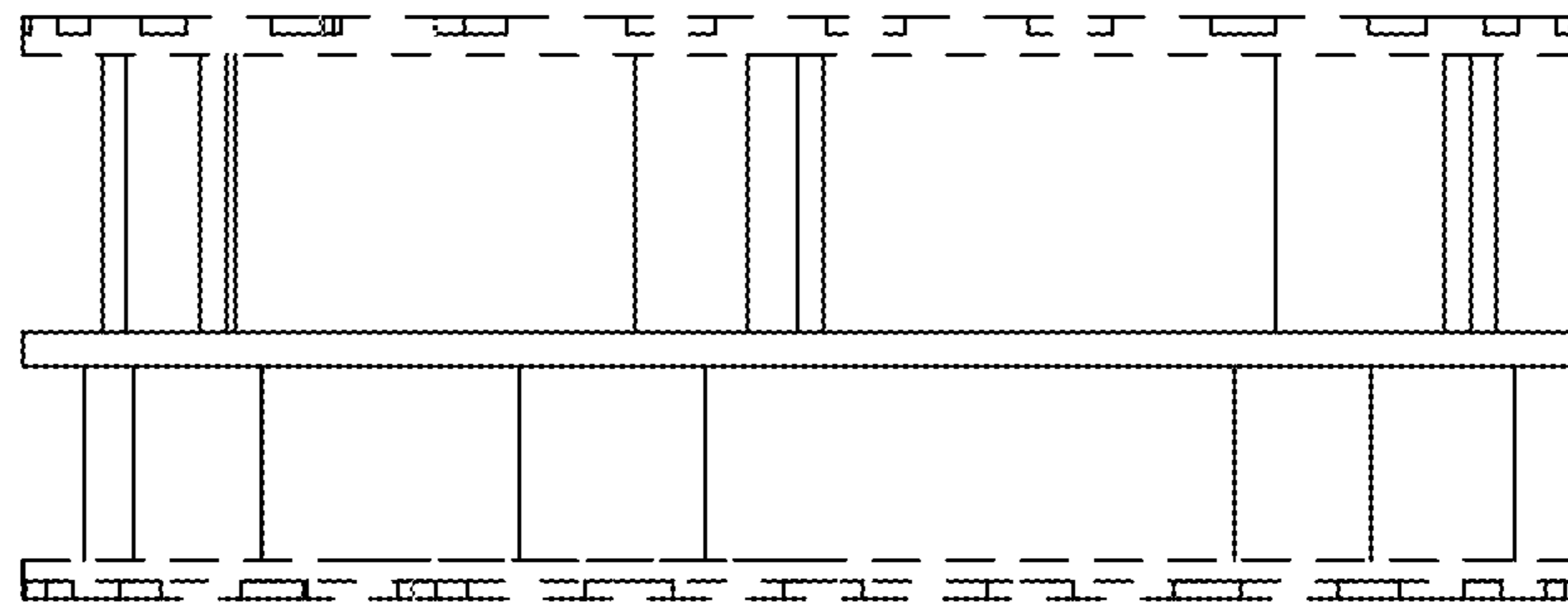
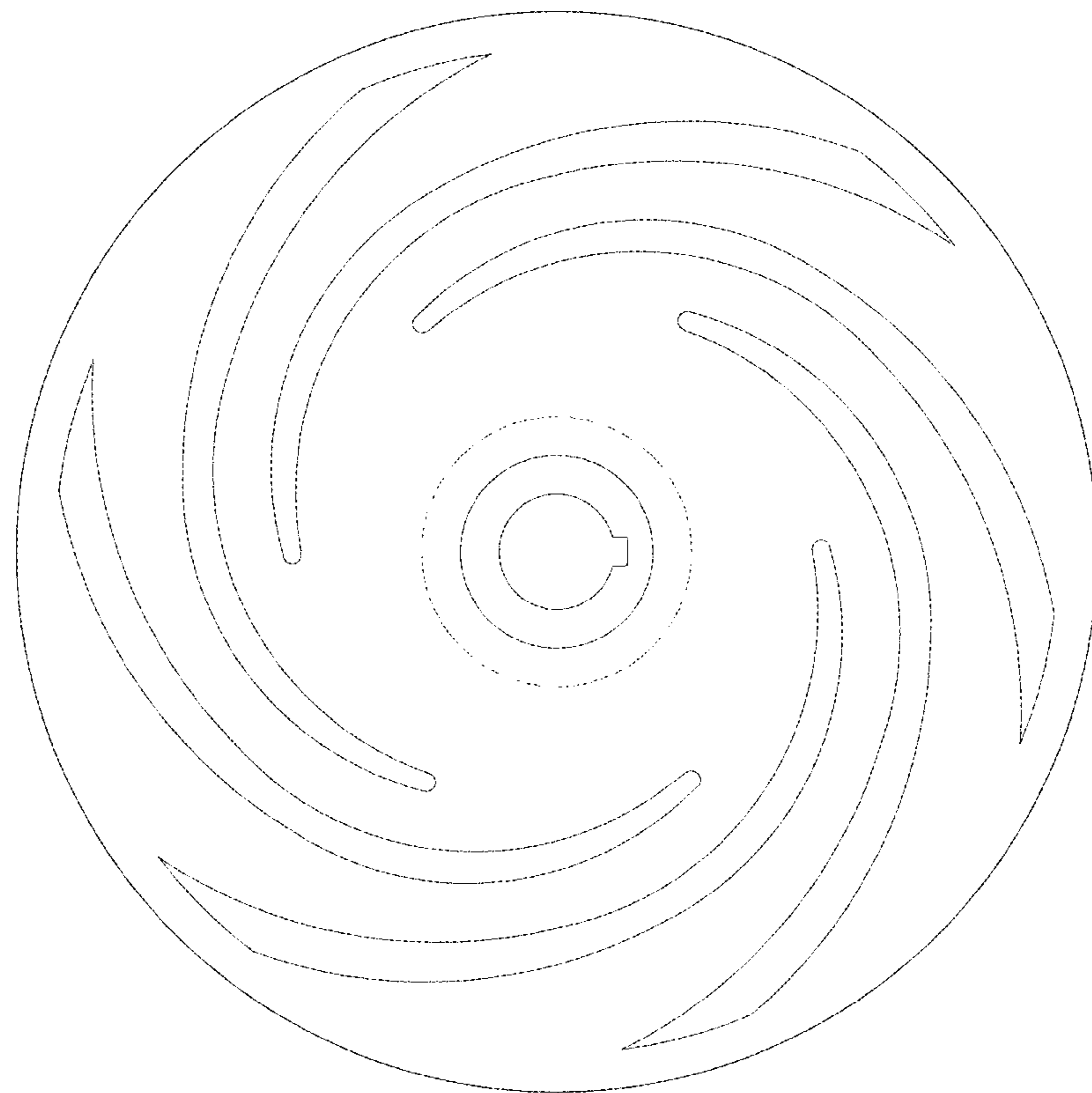


Fig. 5



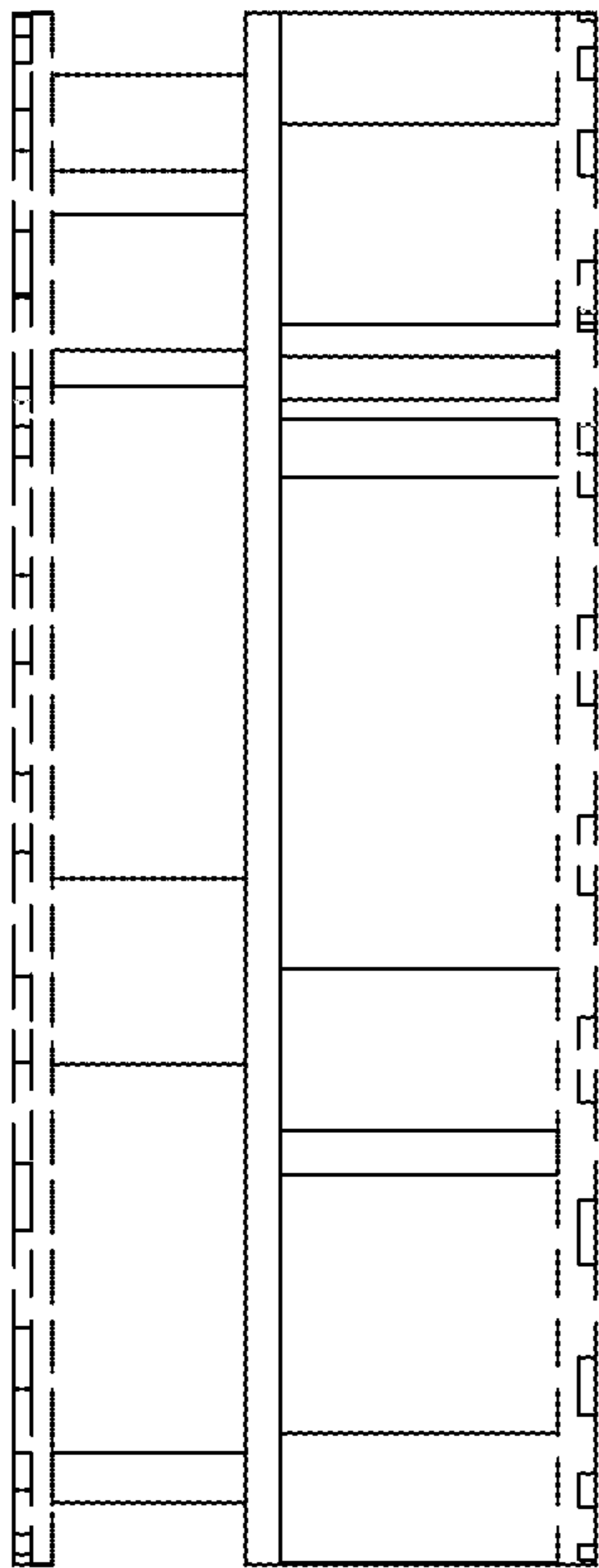


Fig. 6

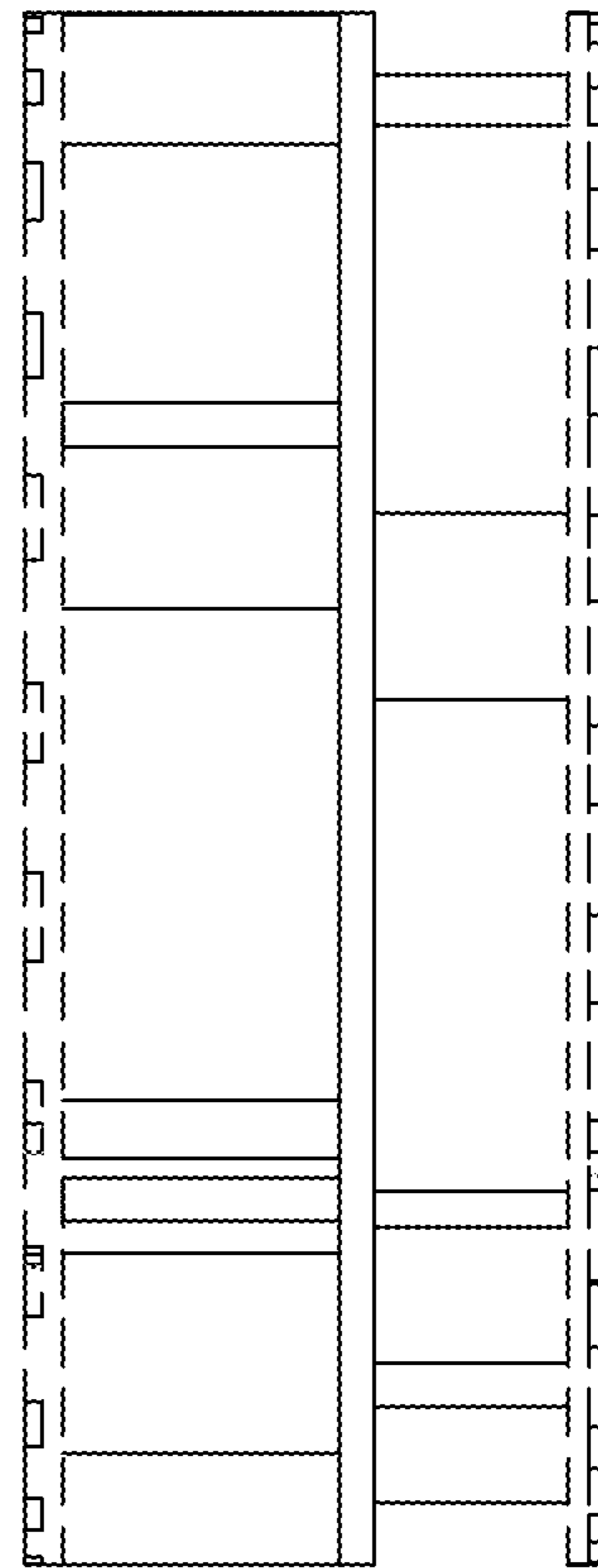


Fig. 7

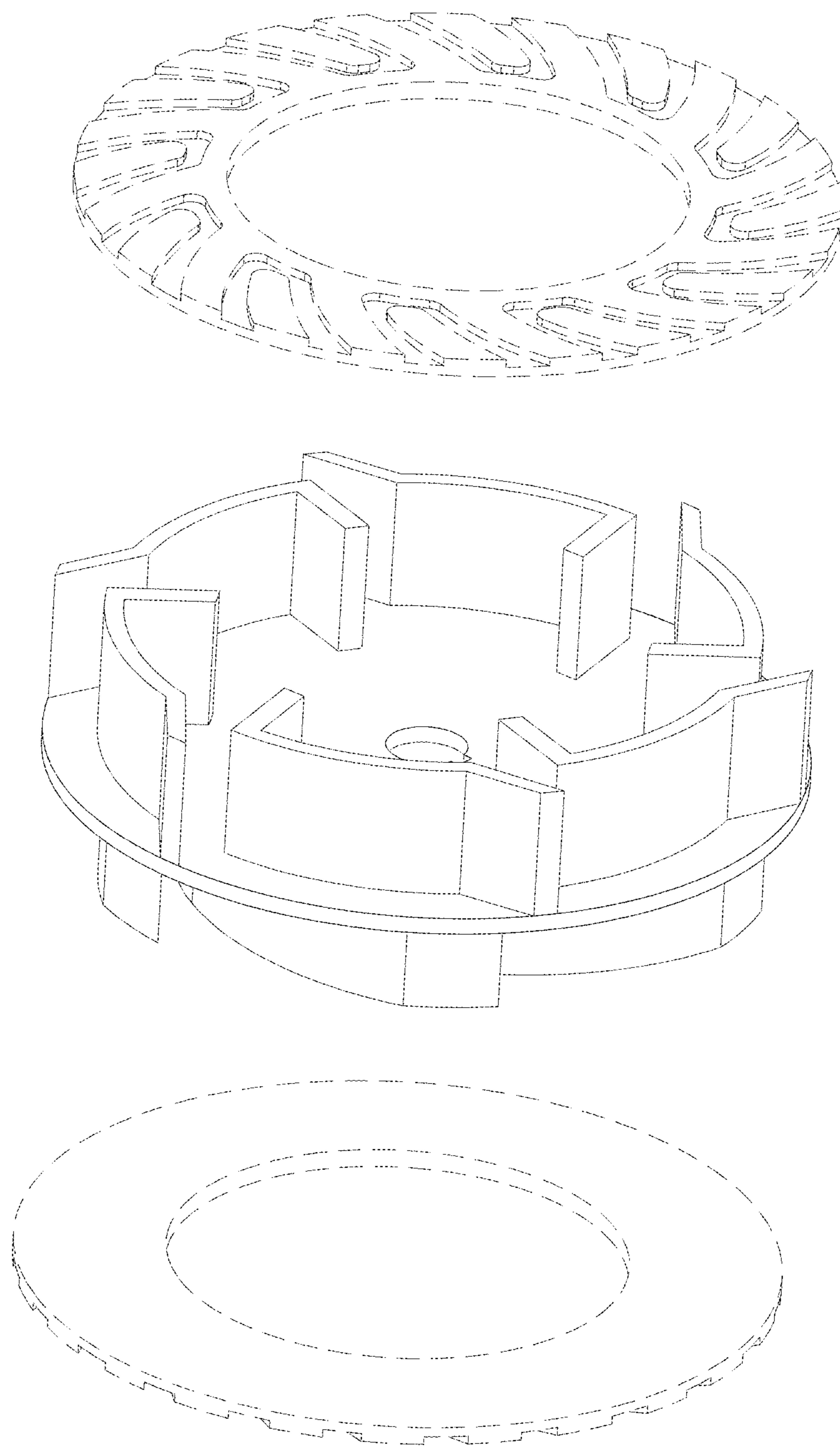


Fig. 8

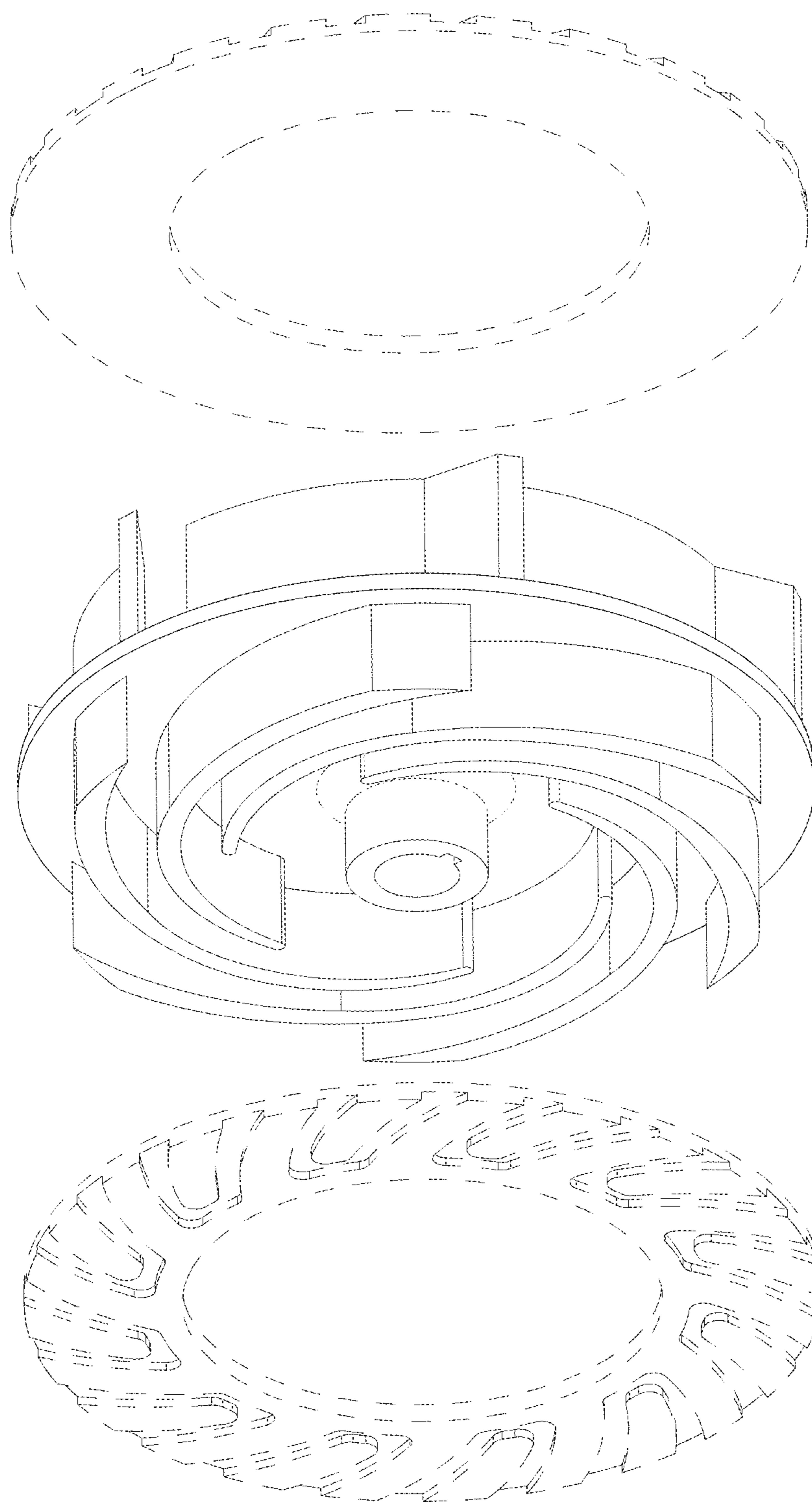


Fig. 9