



US00D940759S

(12) **United States Design Patent** (10) **Patent No.:** **US D940,759 S**  
**Linker et al.** (45) **Date of Patent:** **\*\* Jan. 11, 2022**

(54) **BLOWER ASSEMBLY**  
(71) Applicant: **Transportation IP Holdings, LLC**,  
Norwalk, CT (US)  
(72) Inventors: **Ryan Keith Linker**, Lawrence Park,  
PA (US); **Henry Todd Young**, Erie, PA  
(US); **Sean Cillessen**, Erie, PA (US);  
**Sagar Mehta**, Erie, PA (US)  
(73) Assignee: **TRANSPORTATION IP HOLDINGS,**  
**LLC**, Norwalk, CT (US)  
(\*\*) Term: **15 Years**  
(21) Appl. No.: **29/686,197**  
(22) Filed: **Apr. 2, 2019**

D507,343 S 7/2005 Chiu et al.  
D513,530 S 1/2006 Chen et al.  
7,059,129 B2 6/2006 Zollinger et al.  
D571,000 S \* 6/2008 Bei ..... D23/413  
D645,134 S \* 9/2011 Lee ..... D23/411  
D681,188 S \* 4/2013 Hu ..... D23/413  
D725,257 S \* 3/2015 Huang ..... D23/370  
D787,037 S \* 5/2017 Allard ..... D23/370  
D806,223 S \* 12/2017 Allard ..... D23/370  
D809,121 S 1/2018 Richardson  
D813,369 S 3/2018 Chiu

(Continued)

*Primary Examiner* — Ania Aman  
(74) *Attorney, Agent, or Firm* — McCoy Russell LLP

(57) **CLAIM**

The ornamental design for a blower assembly, as shown and described.

**Related U.S. Application Data**

(62) Division of application No. 29/547,139, filed on Dec. 1, 2015, now Pat. No. Des. 849,797.  
(51) **LOC (13) Cl.** ..... **15-01**  
(52) **U.S. Cl.**  
USPC ..... **D15/5**  
(58) **Field of Classification Search**  
USPC ..... D15/5, 7; D23/370, 377, 379, 381, 382,  
D23/385, 411, 413, 414, 332, 328;  
D26/59; D13/179  
CPC ..... F04D 25/08; F04D 29/388; F04D 29/34;  
F04D 25/088; H02K 1/187  
See application file for complete search history.

**DESCRIPTION**

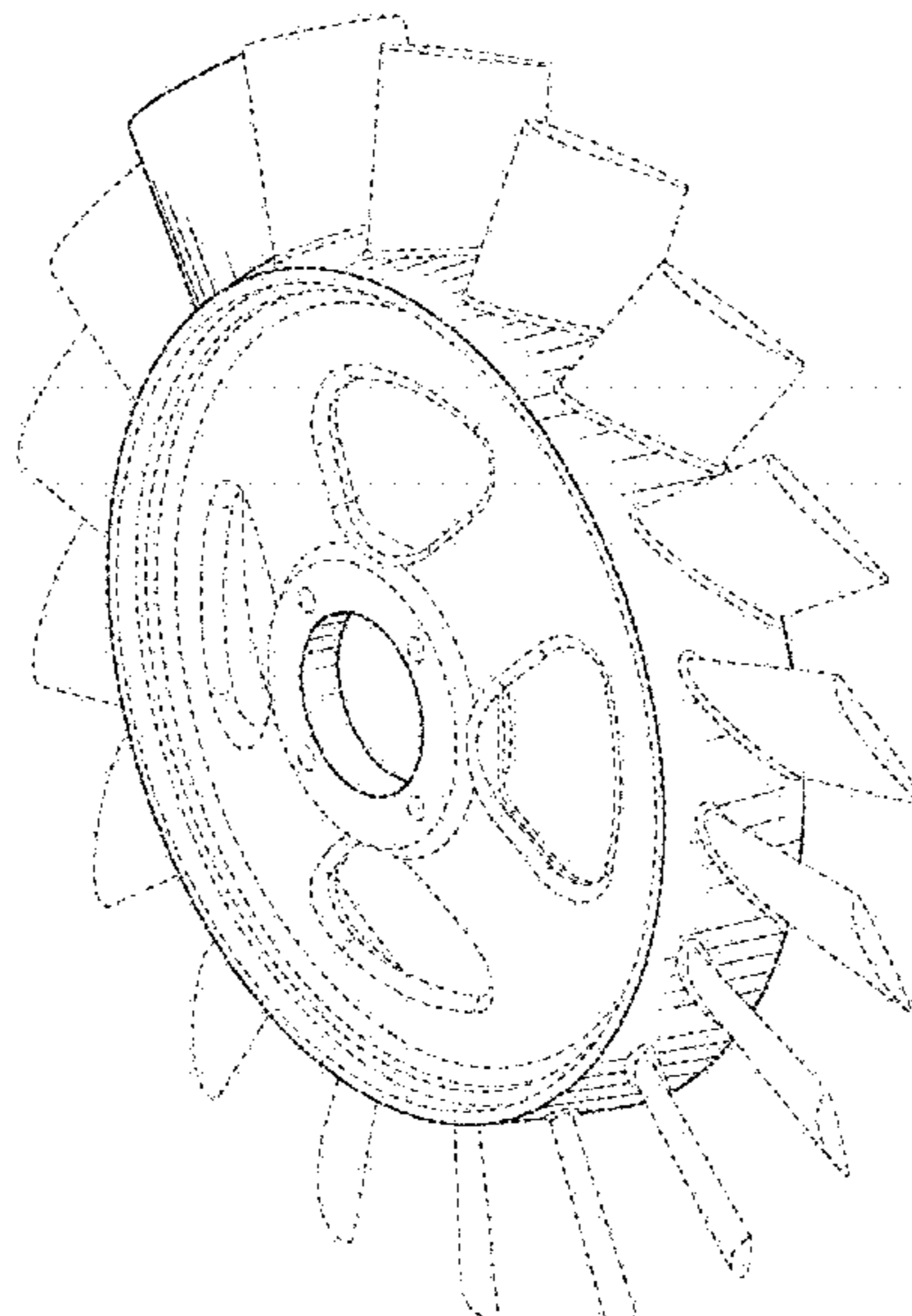
FIG. 1 is a perspective view of a fan of a blower assembly depicting a new design;  
FIG. 2 is a front view thereof;  
FIG. 3 is a rear view thereof;  
FIG. 4 is a side view thereof;  
FIG. 5 is an opposite perspective view thereof;  
FIG. 6 is an enlarged end view of a blade of the fan taken along lines 6-6 of FIG. 1 shown separately for ease of illustration;  
FIG. 7 is a cross sectional view depicting a mid-point of the blade of the fan taken along the lines 7-7 of FIG. 3; and,  
FIG. 8 is a cross sectional view depicting a base portion of the blade of the fan taken along lines 8-8 of FIG. 3.  
The evenly dashed broken line portion of the figures is included to show unclaimed subject matter only and forms no part of the claimed design.  
The long-dash short-dash broken lines showing the sectional lines in FIG. 3 of the drawings form no part of the claimed design.

(56) **References Cited**

**U.S. PATENT DOCUMENTS**

5,730,583 A \* 3/1998 Alizadeh ..... F04D 19/002  
416/169 A  
6,241,474 B1 \* 6/2001 Alizadeh ..... F04D 29/326  
416/189  
D486,572 S \* 2/2004 Chen ..... D23/413

**1 Claim, 4 Drawing Sheets**



(56)

References Cited

U.S. PATENT DOCUMENTS

D820,966	S *	6/2018	De Filippis .....	D23/370
D848,485	S *	5/2019	Kurokawa .....	D15/5
D860,427	S *	9/2019	Cayton .....	D23/370
10,400,783	B1 *	9/2019	Allard .....	F04D 25/08
2005/0074336	A1 *	4/2005	Li .....	F04D 29/329
				416/244 R
2009/0133381	A1 *	5/2009	Holmes .....	G01M 15/14
				60/204
2010/0215505	A1 *	8/2010	Takeshita .....	F04D 25/0613
				416/223 R
2012/0152007	A1 *	6/2012	Holmes .....	G06F 30/15
				73/112.01
2012/0219419	A1 *	8/2012	Liu .....	F04D 25/0613
				416/144
2012/0244008	A1 *	9/2012	Chang .....	F04D 29/325
				416/244 R
2013/0147312	A1 *	6/2013	Qin .....	H02K 13/006
				310/234
2013/0315737	A1	11/2013	Dygert et al.	
2013/0323062	A1 *	12/2013	Henner .....	F04D 29/384
				416/195
2014/0030104	A1 *	1/2014	Lee .....	F04D 19/007
				416/223 R
2014/0056710	A1 *	2/2014	Henner .....	F04D 29/384
				416/189
2014/0133082	A1 *	5/2014	Xu .....	F04D 17/025
				361/679.32
2014/0147282	A1 *	5/2014	Hu .....	F04D 25/0613
				416/189
2015/0064011	A1 *	3/2015	Xu .....	F04D 19/002
				416/189

\* cited by examiner

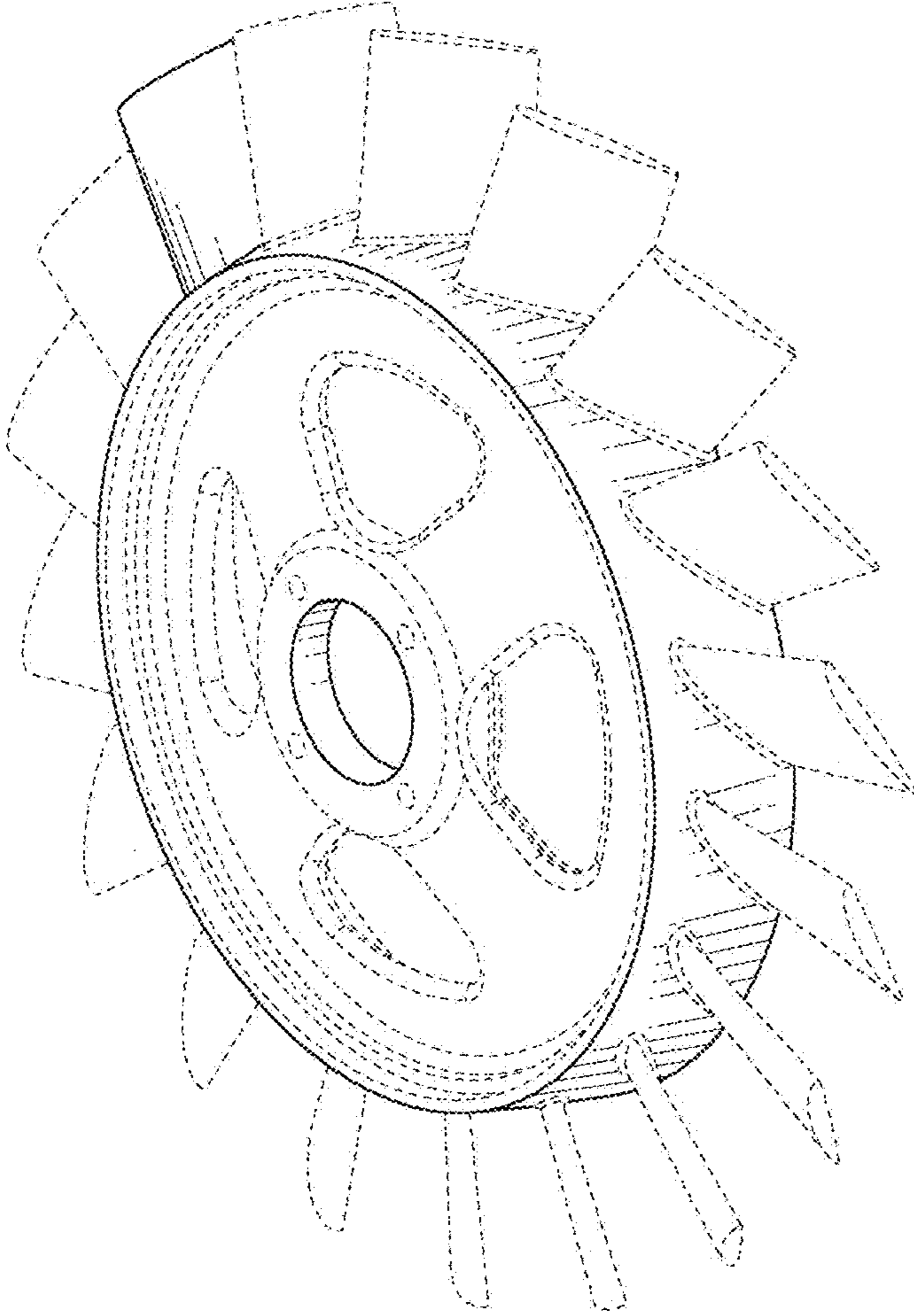
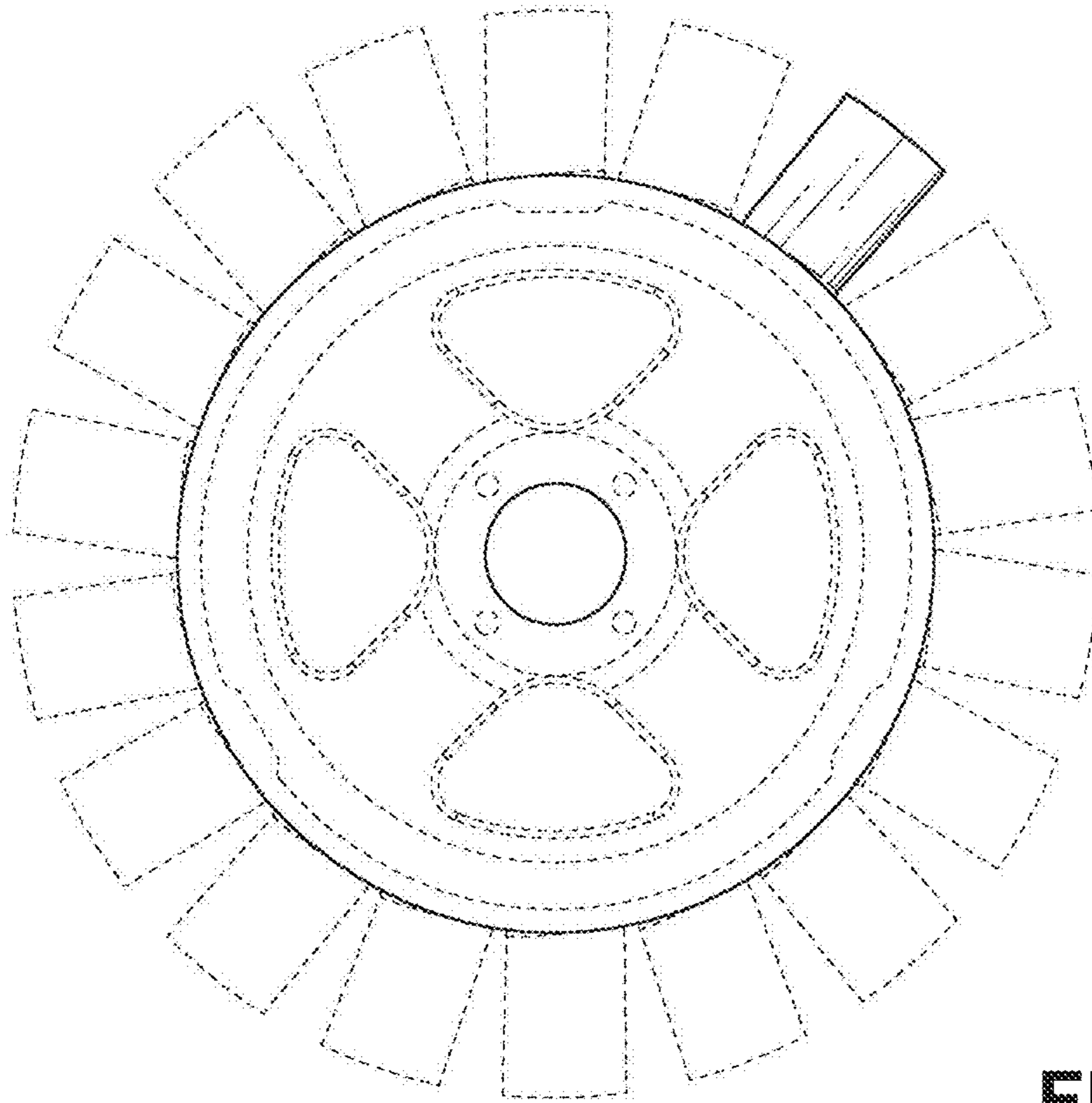
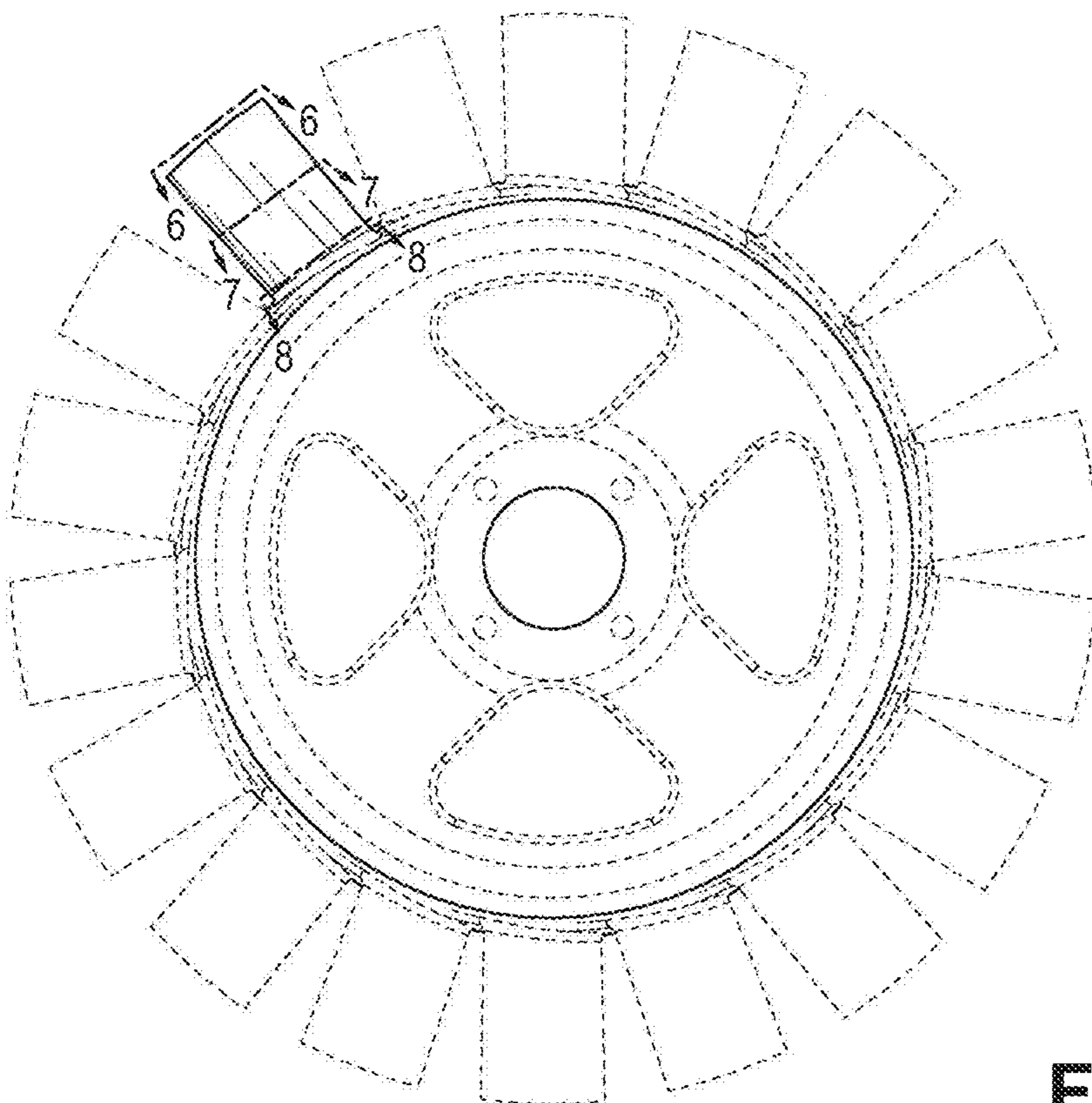


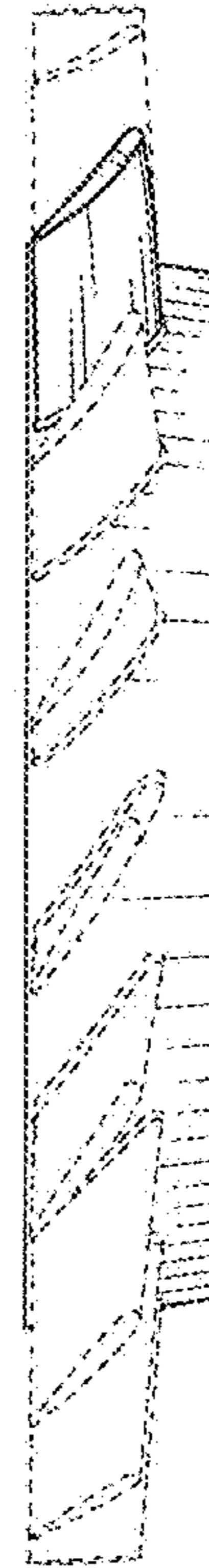
FIG. 1



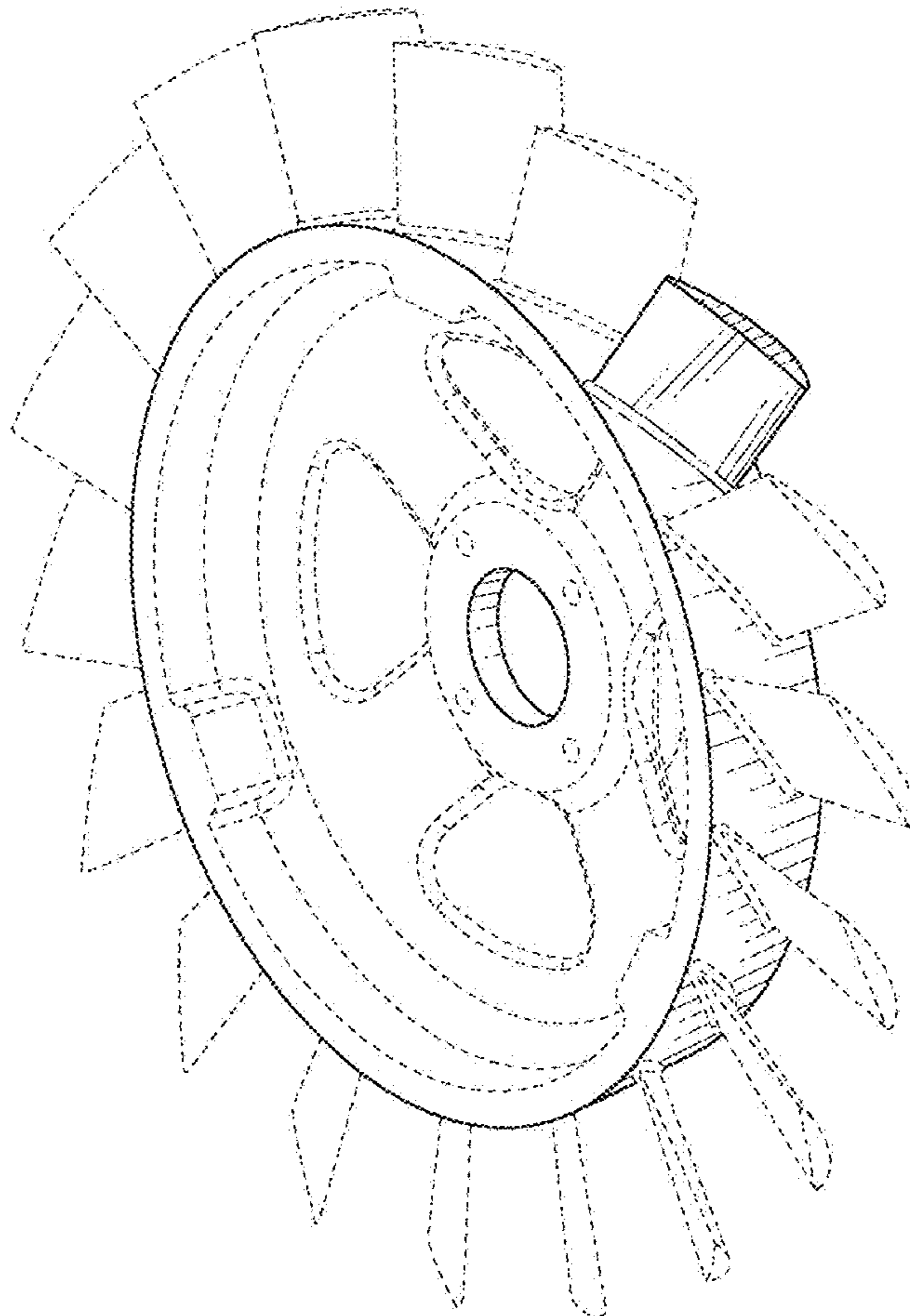
**FIG. 2**



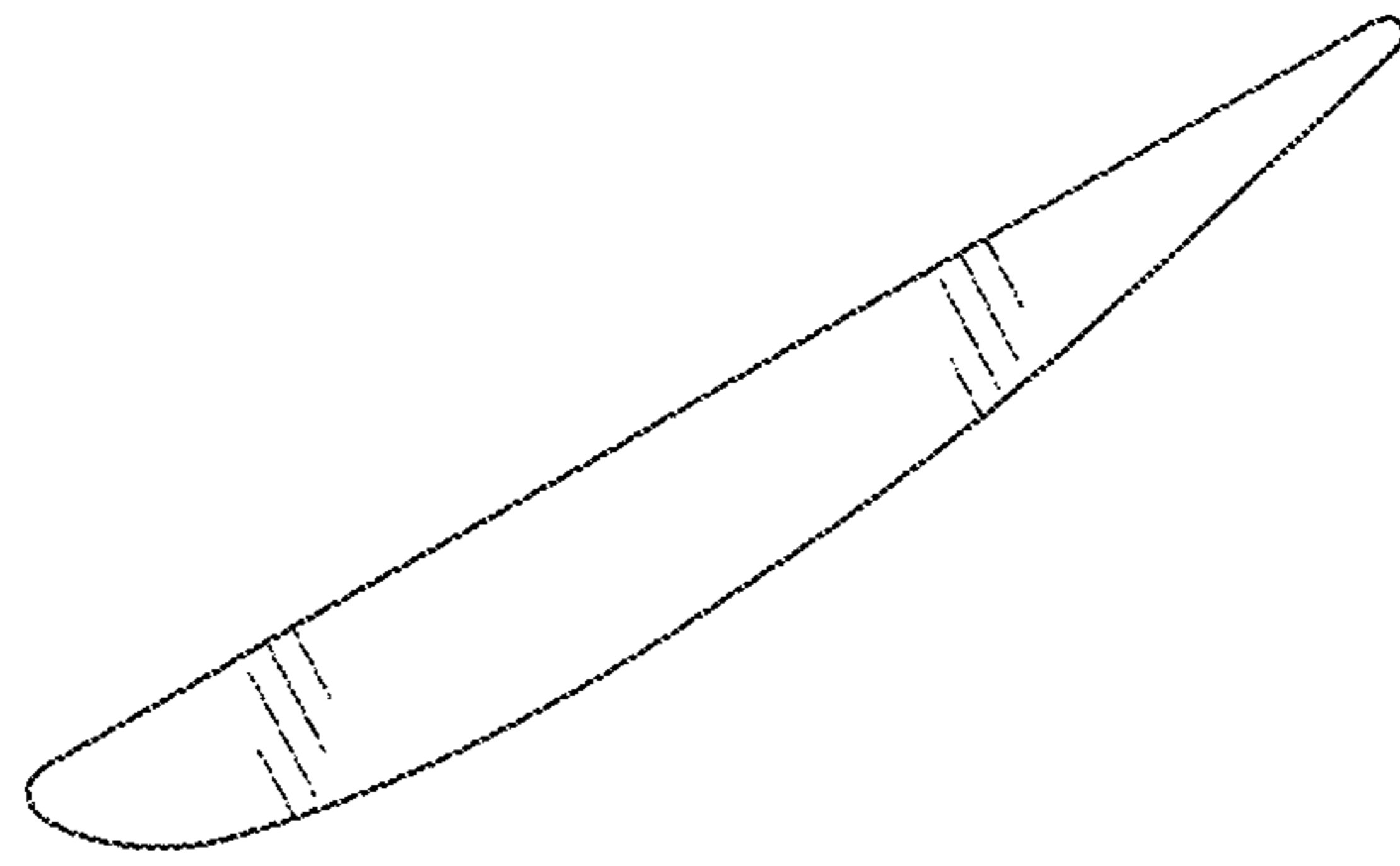
**FIG. 3**



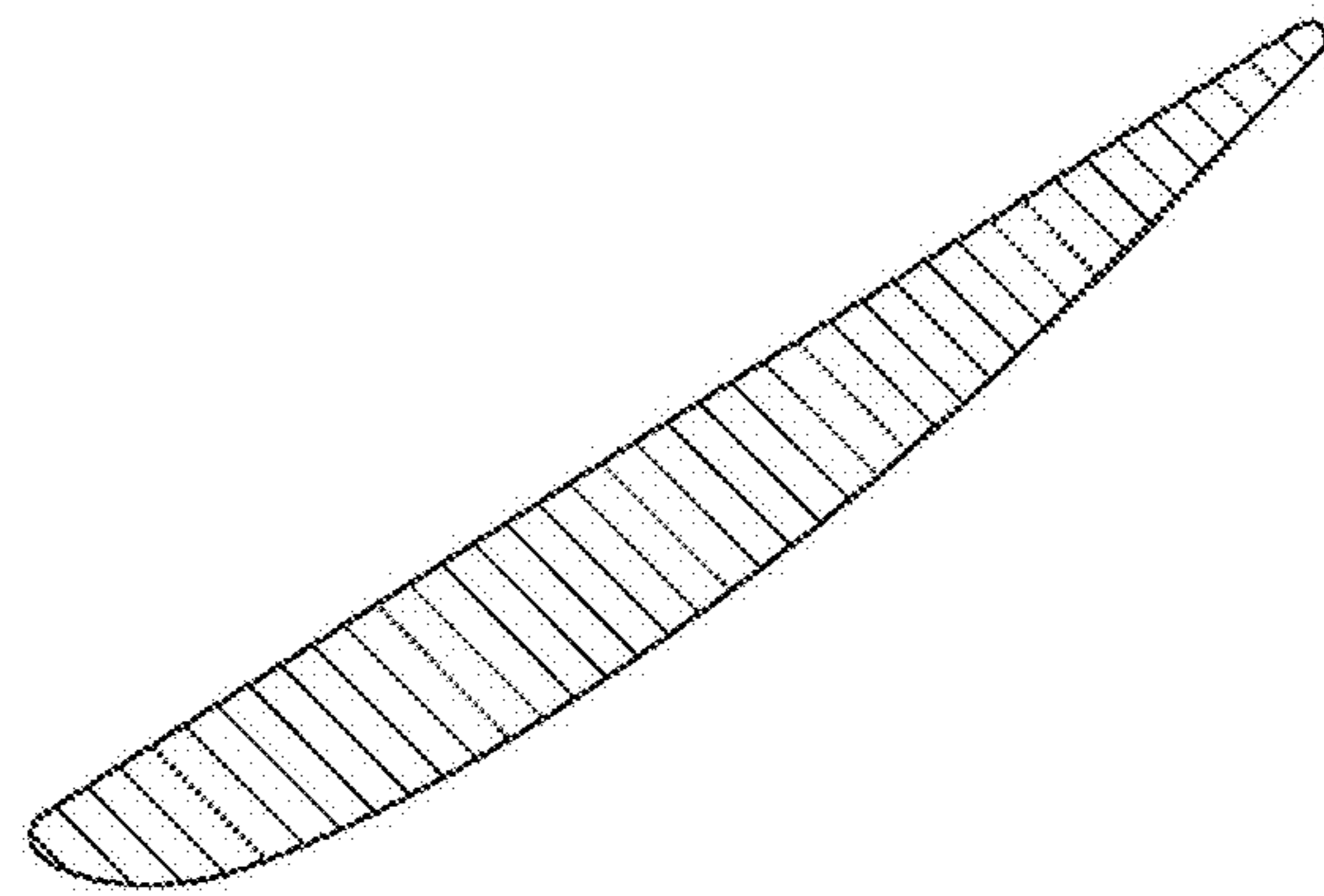
**FIG. 4**



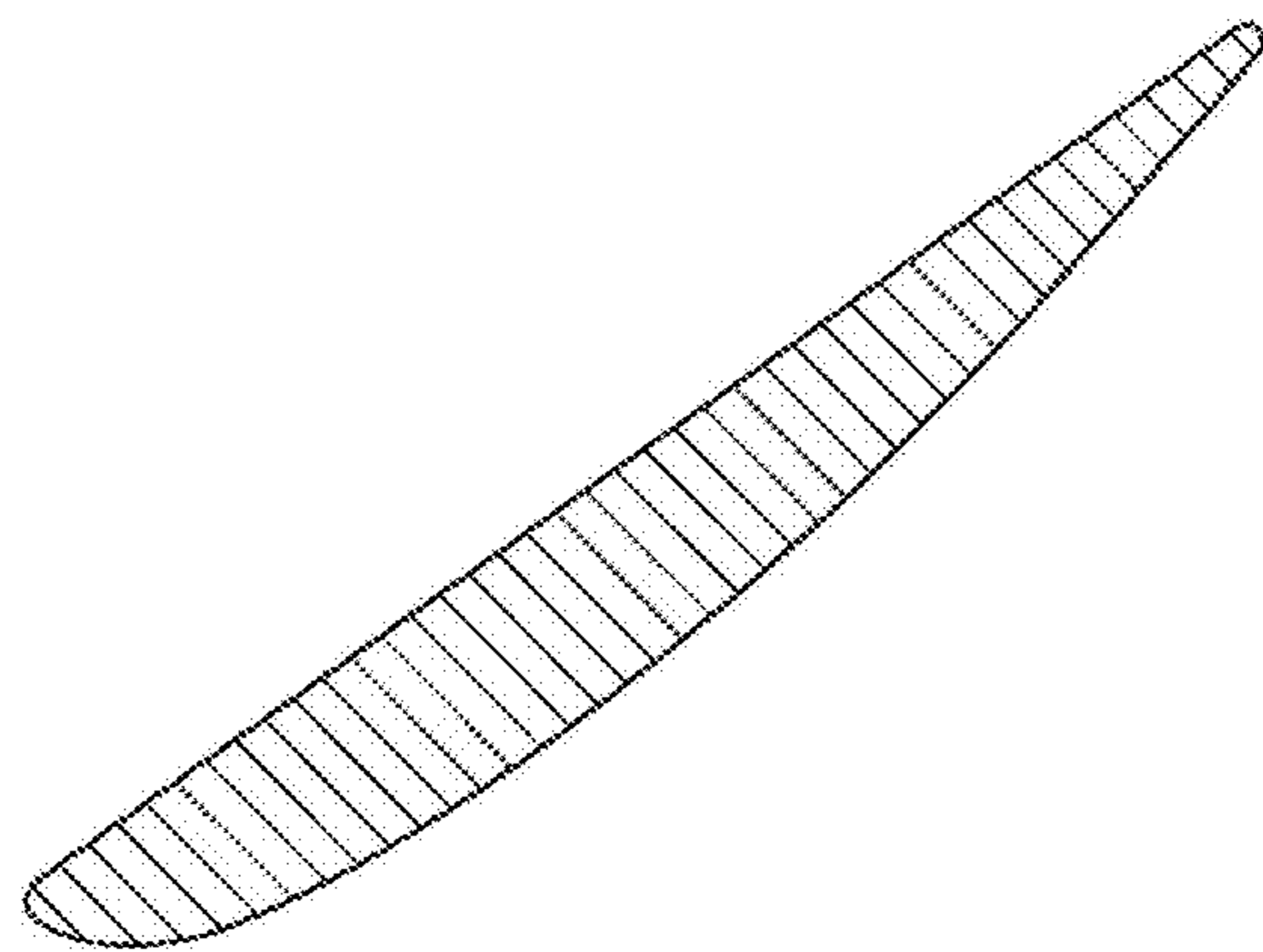
**FIG. 5**



**FIG. 6**



**FIG. 7**



**FIG. 8**