



US00D940726S

(12) **United States Design Patent** (10) **Patent No.:** **US D940,726 S**  
**Hanley** (45) **Date of Patent:** **\*\* Jan. 11, 2022**

(54) **ELECTRONIC DEVICE SUPPORT**

(71) Applicant: **David Hanley**, Huntington Beach, CA (US)

(72) Inventor: **David Hanley**, Huntington Beach, CA (US)

(\*\*) Term: **15 Years**

(21) Appl. No.: **29/754,102**

(22) Filed: **Oct. 6, 2020**

(51) **LOC (13) Cl.** ..... **08-07**

(52) **U.S. Cl.**  
USPC ..... **D14/447**

(58) **Field of Classification Search**  
USPC ..... D14/447, 432, 434, 439, 440, 451, 452, D14/457, 239, 253; D8/363, 373, 380; D6/406.3, 406.4, 406.5, 406.6; D12/415; D13/108  
CPC ..... A47B 21/04; A47B 2097/006; A47B 2097/005; A47B 2023/049; A45C 2011/002; A45C 2011/003; F16M 2200/00; F16M 13/00  
See application file for complete search history.

(56) **References Cited**

**U.S. PATENT DOCUMENTS**

D628,203 S 11/2010 Noble  
D648,339 S \* 11/2011 O'Neil ..... D14/434  
D652,422 S \* 1/2012 Cheng ..... D14/447  
D654,921 S \* 2/2012 Malsan ..... D14/447

D659,696 S \* 5/2012 Lanza ..... D14/447  
D661,309 S \* 6/2012 Murrer ..... D14/447  
D668,662 S \* 10/2012 Suiter ..... D14/447  
D699,246 S \* 2/2014 Ringlein ..... D14/447  
D702,664 S \* 4/2014 Kim ..... D14/217  
D703,215 S \* 4/2014 Alesi ..... D14/447  
D706,784 S \* 6/2014 Mills ..... D14/447  
D709,075 S \* 7/2014 Miniard ..... D14/447  
D711,366 S 8/2014 Lui  
D718,761 S 12/2014 Minocha  
D721,033 S \* 1/2015 Fujioka ..... D13/108  
D761,782 S 7/2016 Kitching  
D763,244 S \* 8/2016 McGarry ..... D14/253

\* cited by examiner

*Primary Examiner* — Angela J Lee

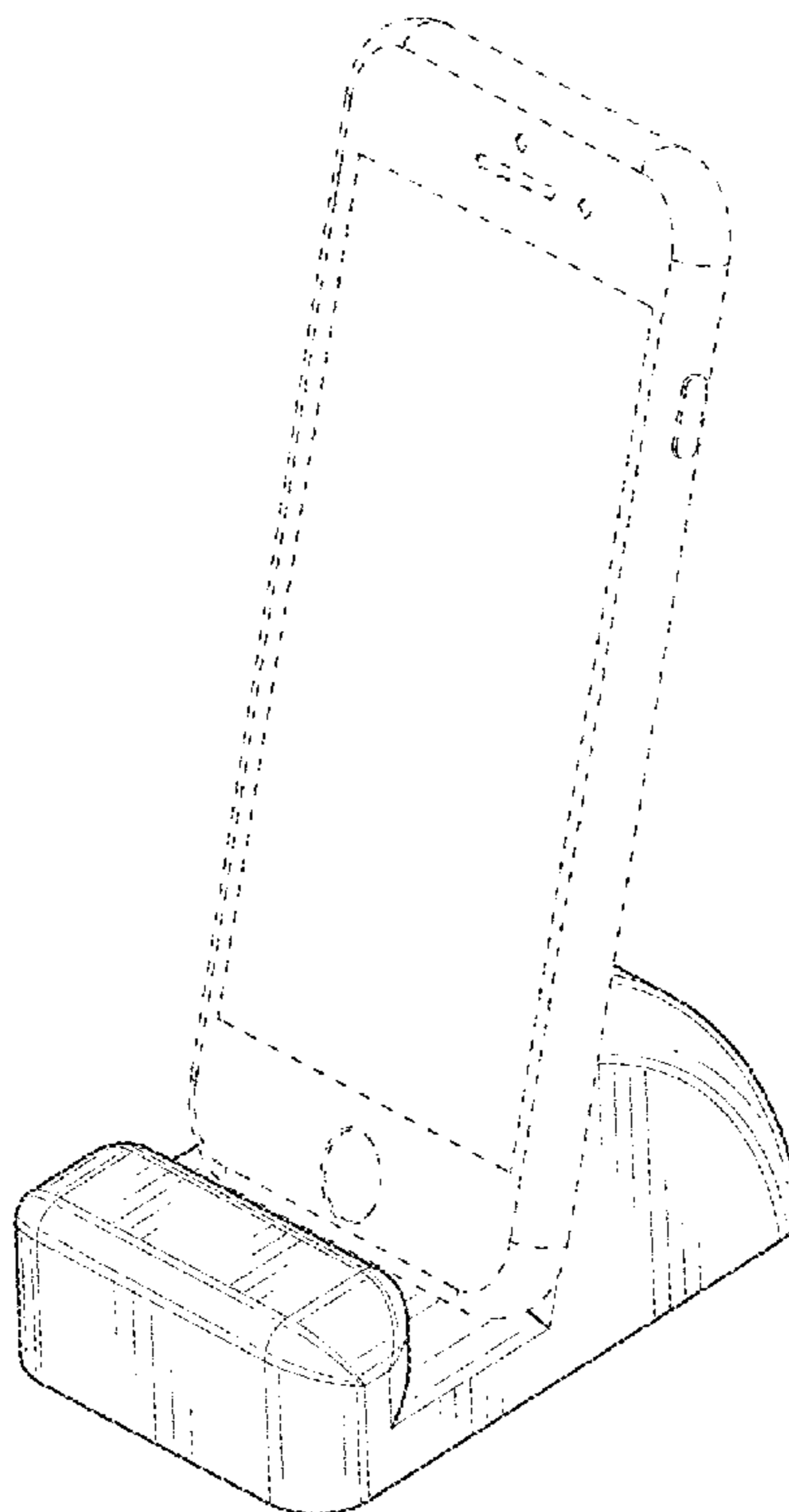
(57) **CLAIM**

The ornamental design for an electronic device support, as shown and described.

**DESCRIPTION**

FIG. 1 is a front view of an electronic device support showing my new design;  
FIG. 2 is a rear view of the electronic device support;  
FIG. 3 is a right side view of the electronic device support;  
FIG. 4 is a left side view of the electronic device support;  
FIG. 5 is a top view of the electronic device support;  
FIG. 6 is a bottom view of the electronic device support; and,  
FIG. 7 is a top front side perspective view of the electronic device support.  
The broken lines in FIG. 7 are illustrative of environmental structure forming no part of the claimed design.

**1 Claim, 7 Drawing Sheets**



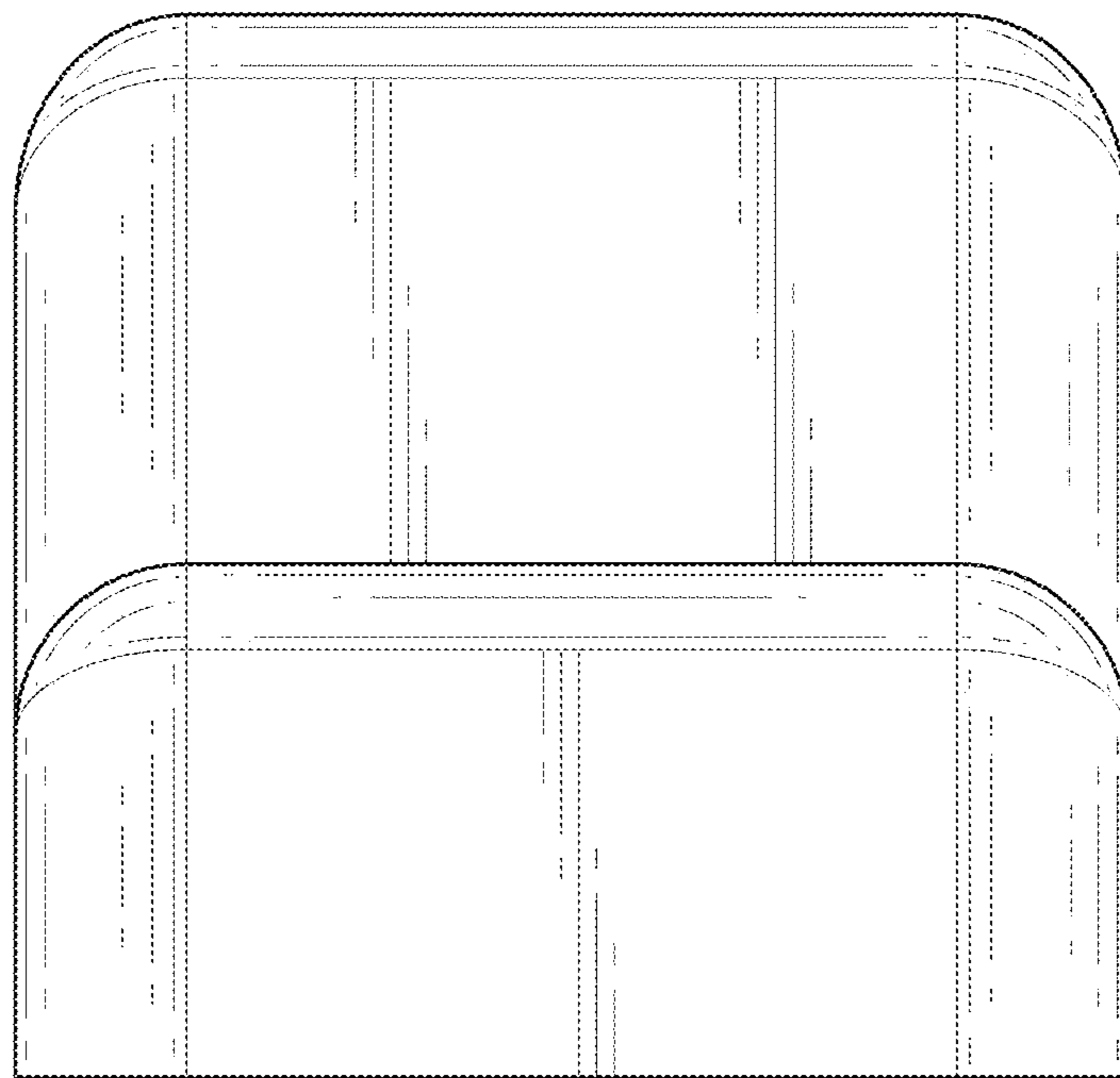


FIG. 1

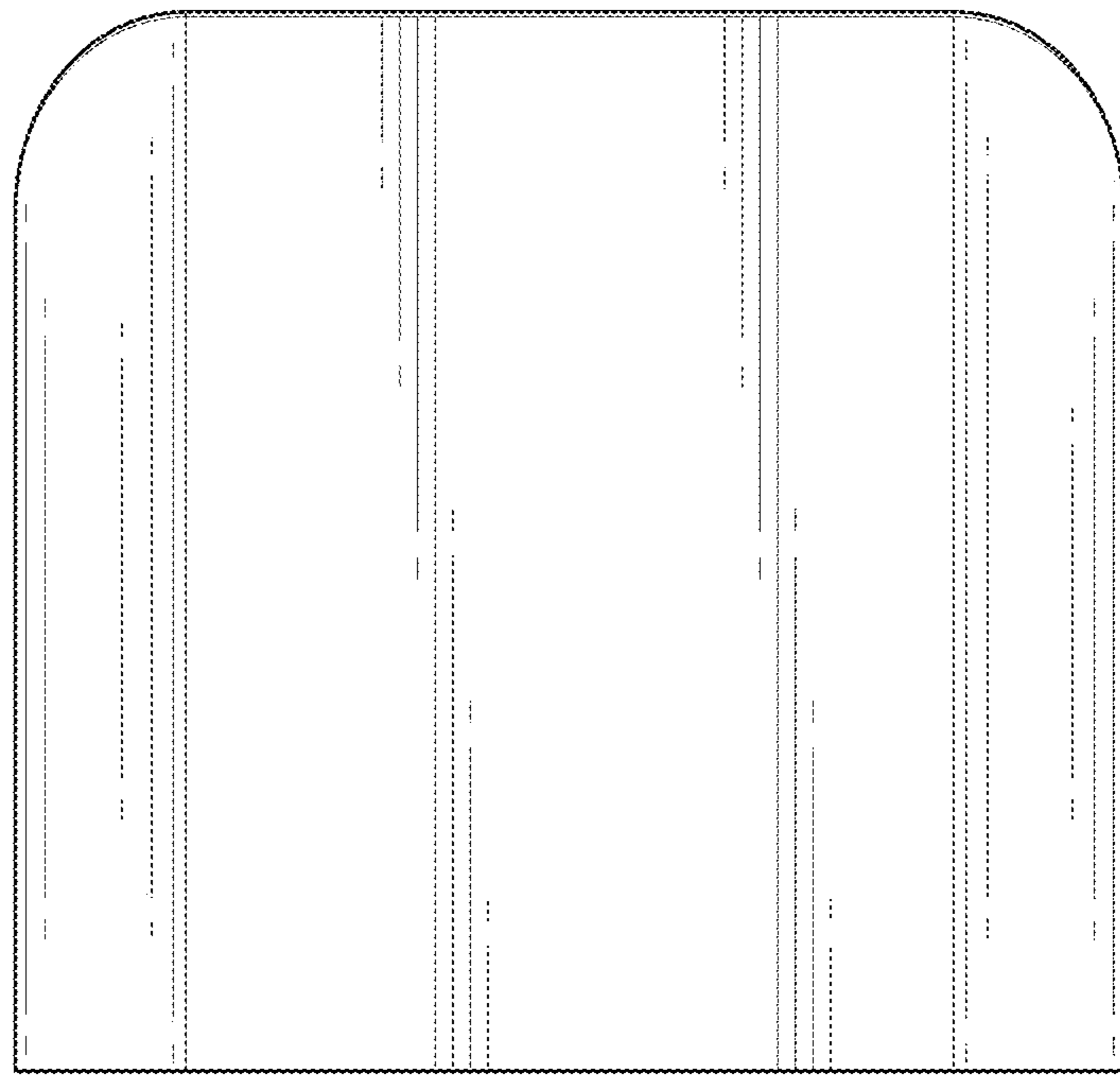


FIG. 2

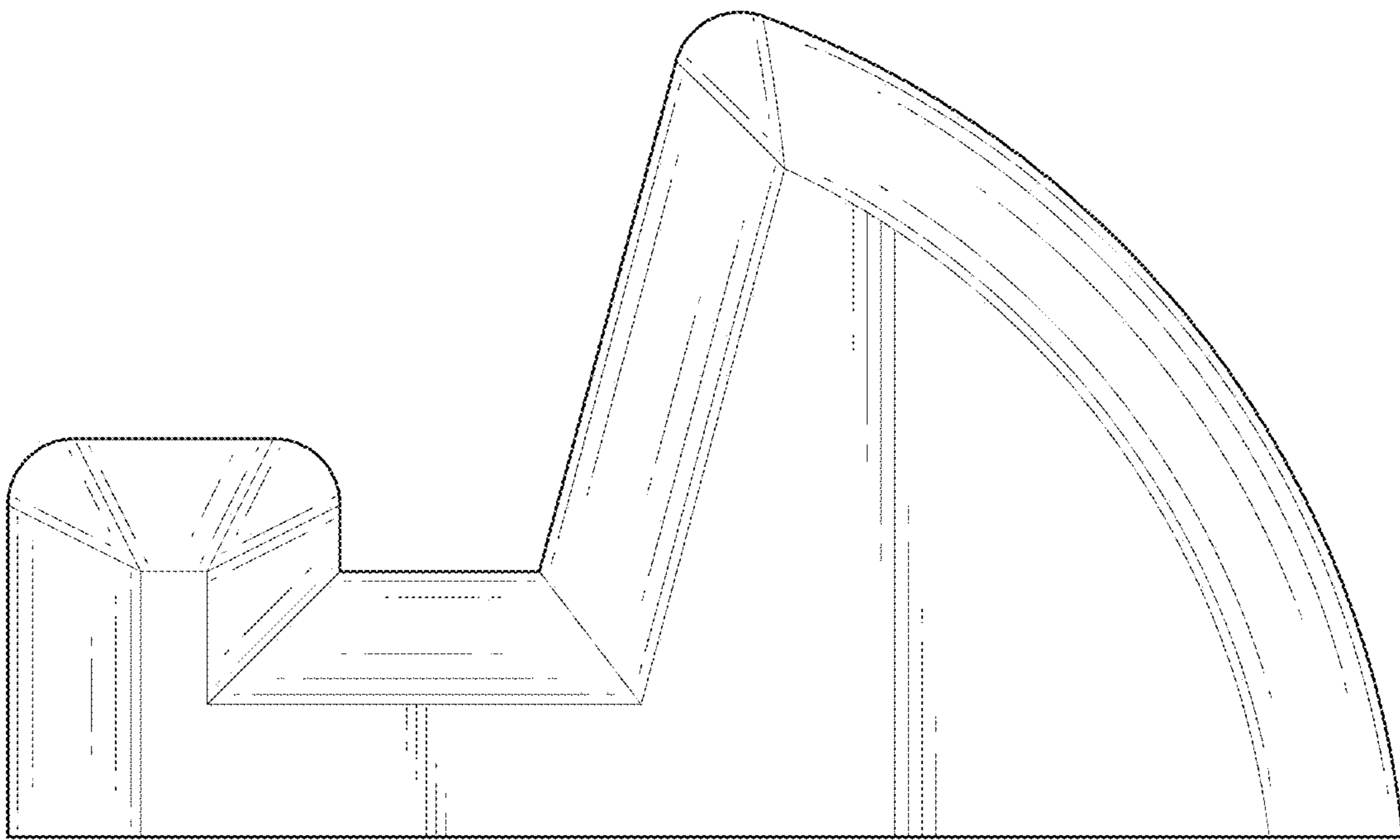


FIG. 3

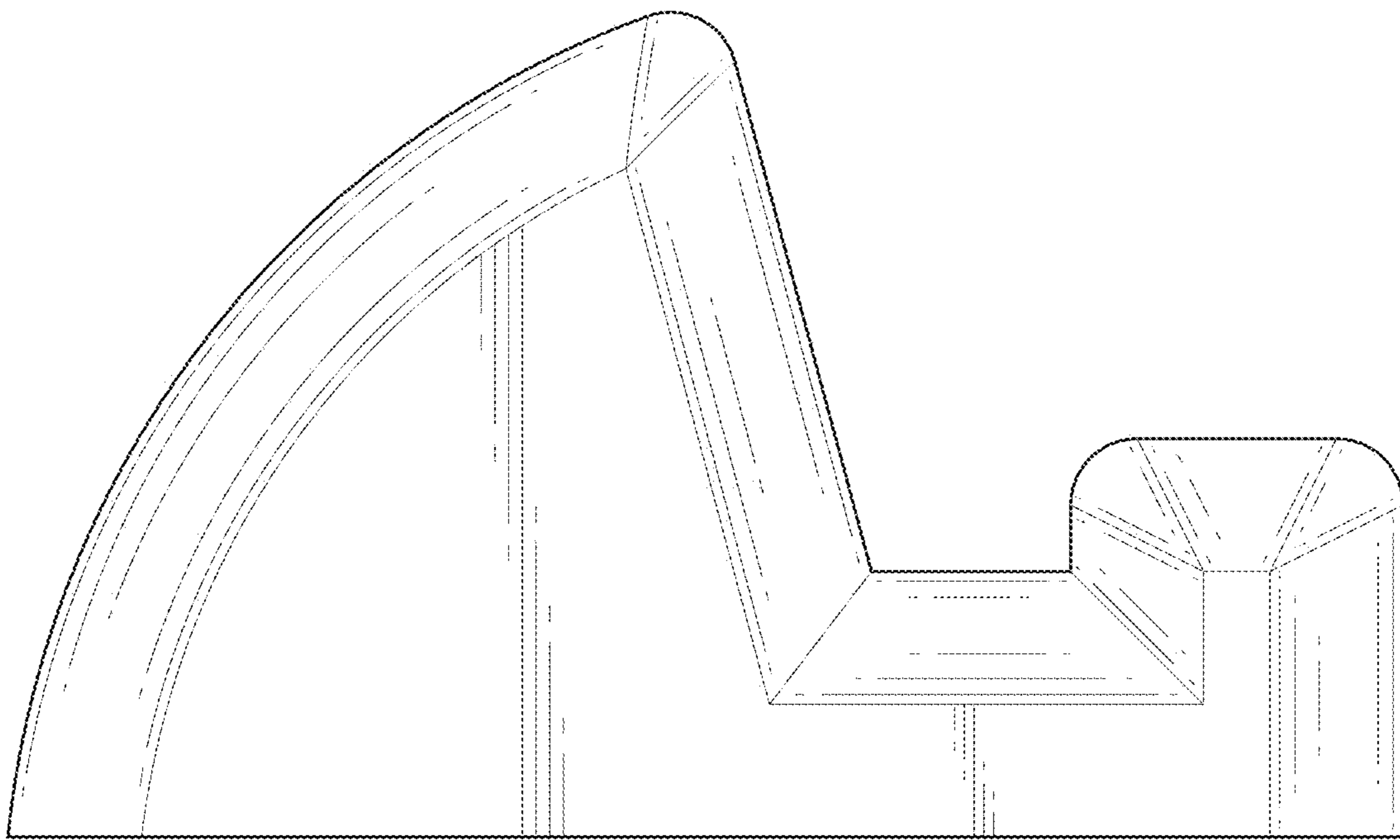


FIG. 4

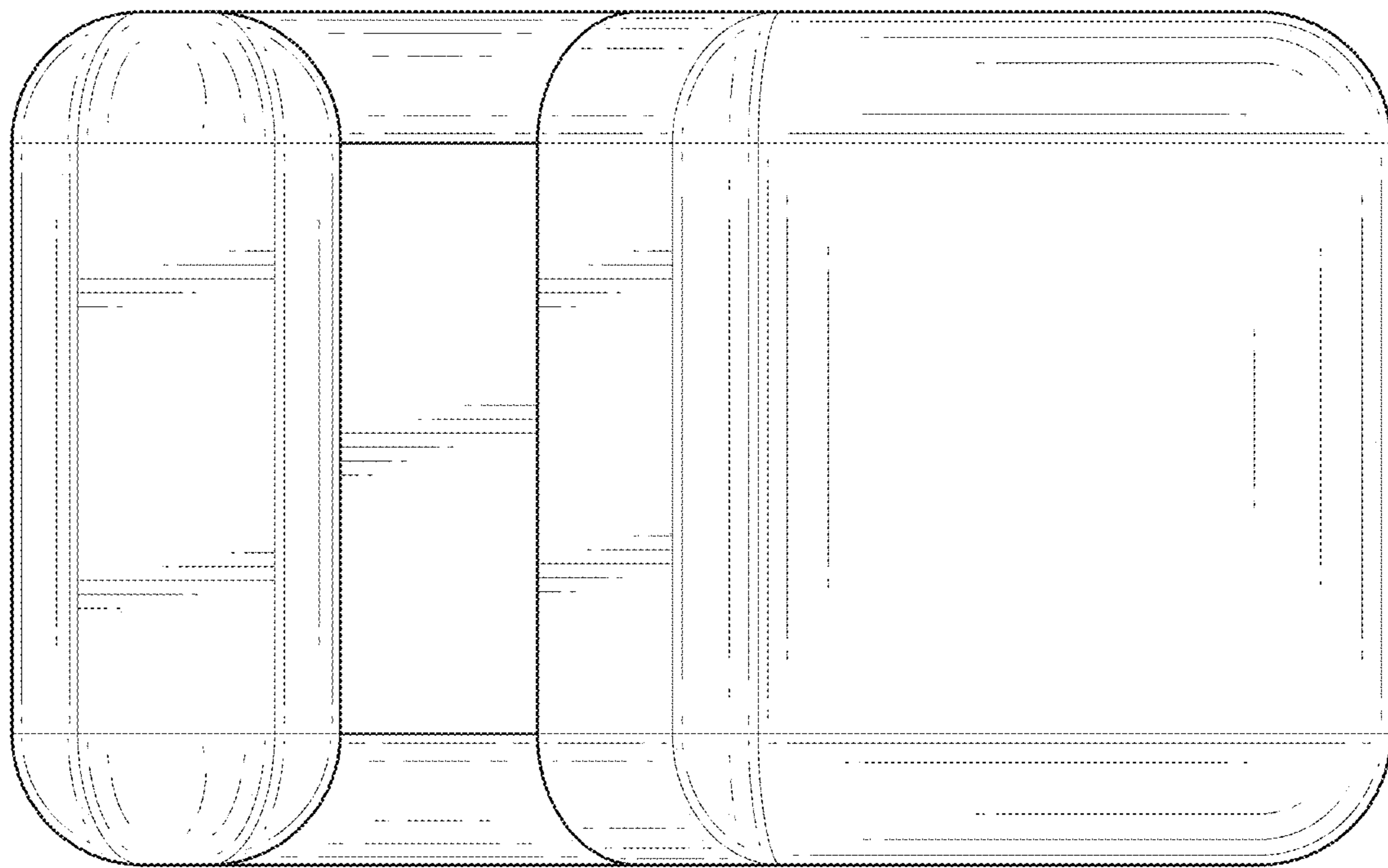


FIG. 5

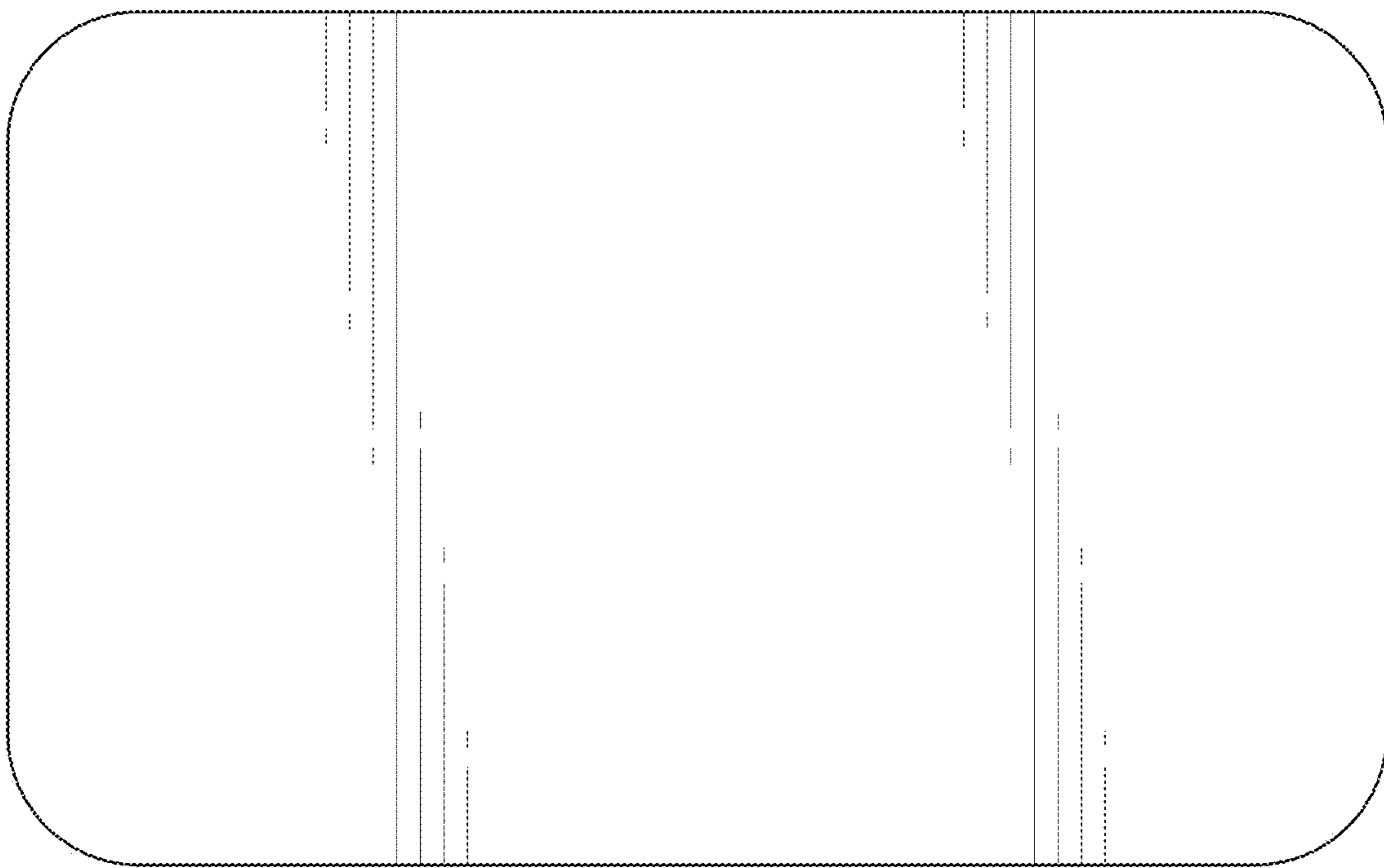


FIG. 6



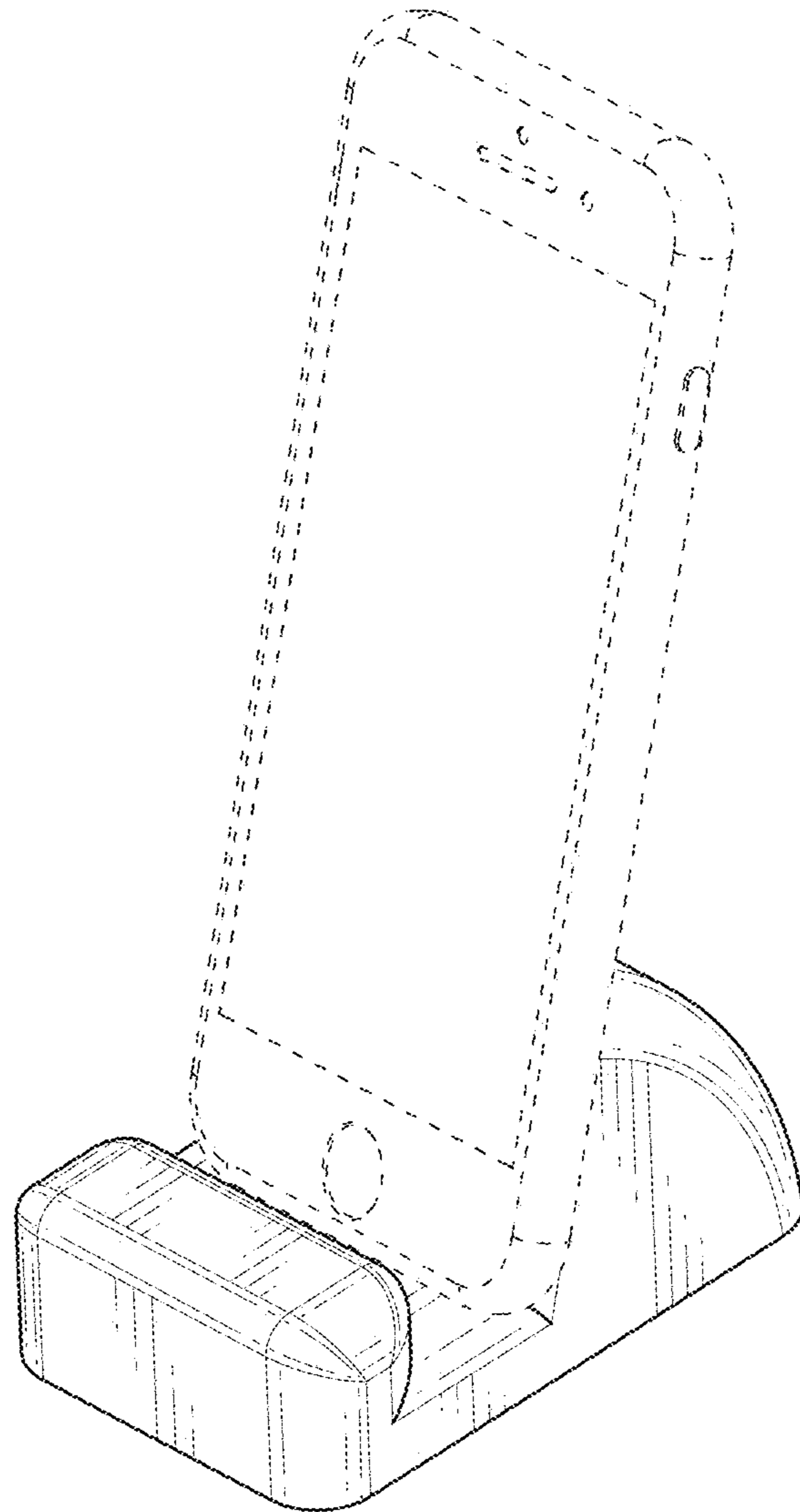


FIG. 7