



US00D940725S

(12) **United States Design Patent**
Jia

(10) **Patent No.:** **US D940,725 S**
(45) **Date of Patent:** **** Jan. 11, 2022**

(54) **COMPUTER BRACKET**

(71) Applicant: **SWIFF TECHNOLOGY CO., LTD.**,
Shenzhen (CN)

(72) Inventor: **He Jia**, Guangdong (CN)

(**) Term: **15 Years**

(21) Appl. No.: **29/752,738**

(22) Filed: **Sep. 29, 2020**

(30) **Foreign Application Priority Data**

Sep. 11, 2020 (CN) 202010952717.1
Sep. 11, 2020 (CN) 202021990711.5

(51) **LOC (13) Cl.** **08-07**

(52) **U.S. Cl.**
USPC **D14/447**

(58) **Field of Classification Search**
USPC D14/447, 432, 434, 439, 440, 451, 452,
D14/457, 239, 253; D8/363, 373, 380;
D6/406.3, 406.4, 406.5, 406.6; D12/415;
D13/108
CPC A47B 21/04; A47B 2097/006; A47B
2097/005; A47B 2023/049; A45C
2011/002; A45C 2011/003; F16M
2200/00; F16M 13/00
See application file for complete search history.

(56) **References Cited**

U.S. PATENT DOCUMENTS

D589,964 S * 4/2009 Heggland D14/434
D674,805 S * 1/2013 Vincent D14/447

D834,028 S * 11/2018 Wu D14/447
D903,689 S * 12/2020 Zheng D14/447
D906,347 S * 12/2020 Yang D14/447
D907,640 S * 1/2021 Huang D14/447
D907,644 S * 1/2021 Li D14/447
D920,338 S * 5/2021 Chen D14/447
D923,631 S * 6/2021 Chen D14/447
D923,632 S * 6/2021 Li D14/447
D927,498 S * 8/2021 Wang D14/447
D928,790 S * 8/2021 Hong D14/447
D930,004 S * 9/2021 van Hooft D14/447

* cited by examiner

Primary Examiner — Angela J Lee

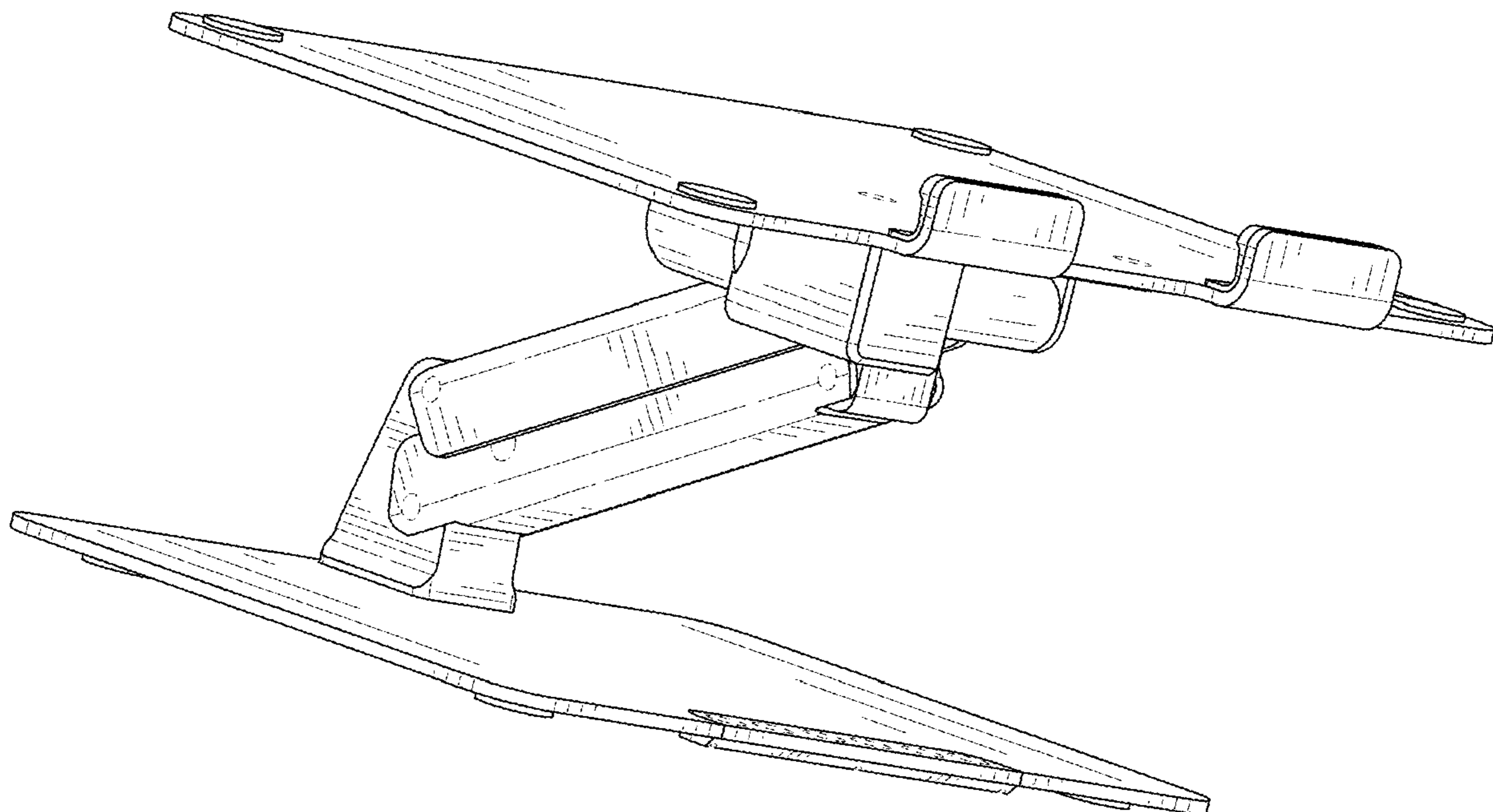
(57) **CLAIM**

The ornamental design for a computer bracket, as shown and described.

DESCRIPTION

FIG. 1 is a front and top perspective view of a computer bracket, showing my new design;
FIG. 2 is a rear and bottom perspective view thereof;
FIG. 3 is a front elevational view thereof;
FIG. 4 is a rear elevational view thereof;
FIG. 5 is a left side devotional view thereof;
FIG. 6 is a right side elevational view thereof;
FIG. 7 is a top plan view thereof; and,
FIG. 8 is a bottom plan view thereof.
The broken lines in the figures illustrate portions of the article that form no part of the claimed design.

1 Claim, 8 Drawing Sheets



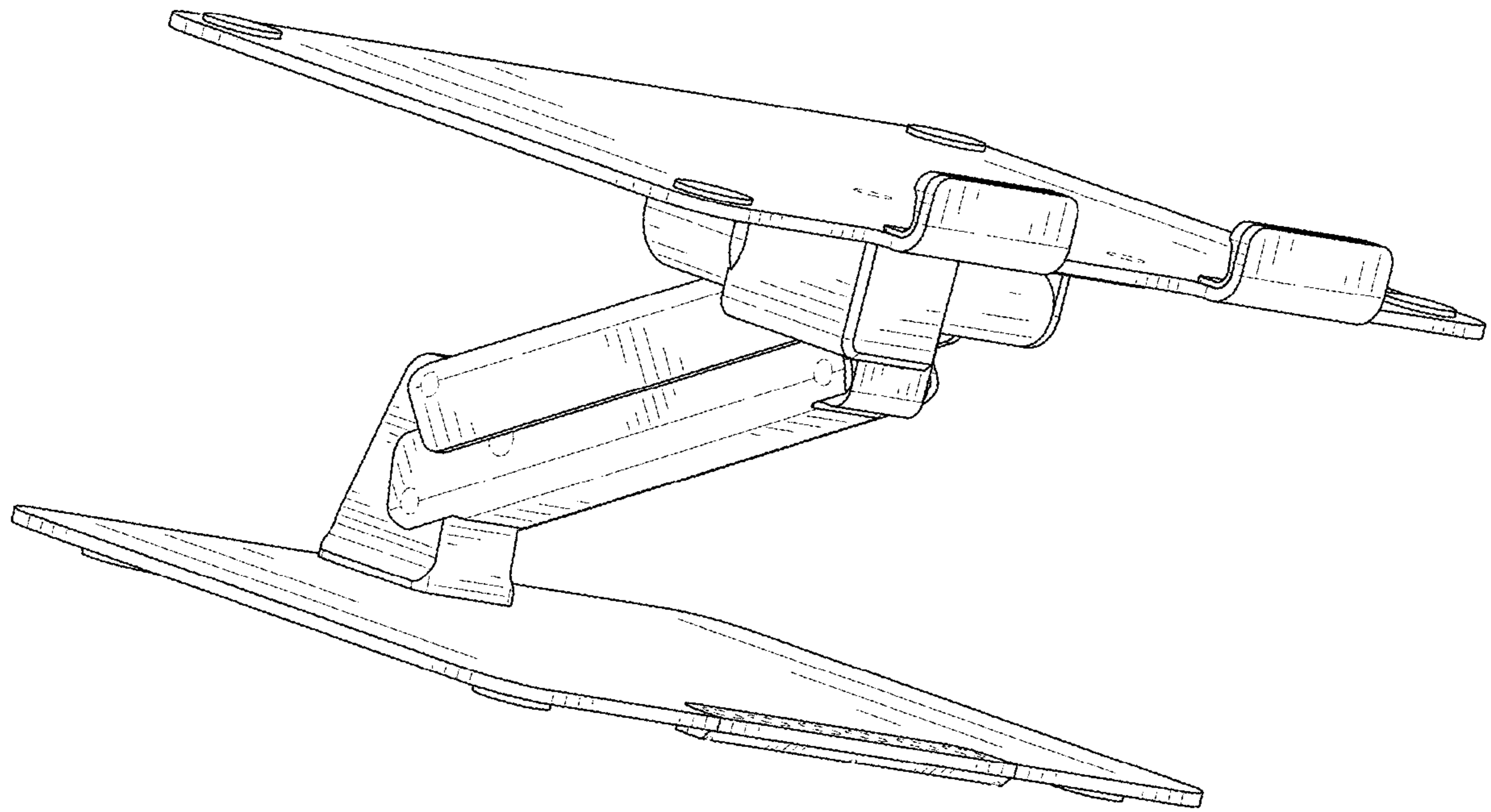


FIG. 1

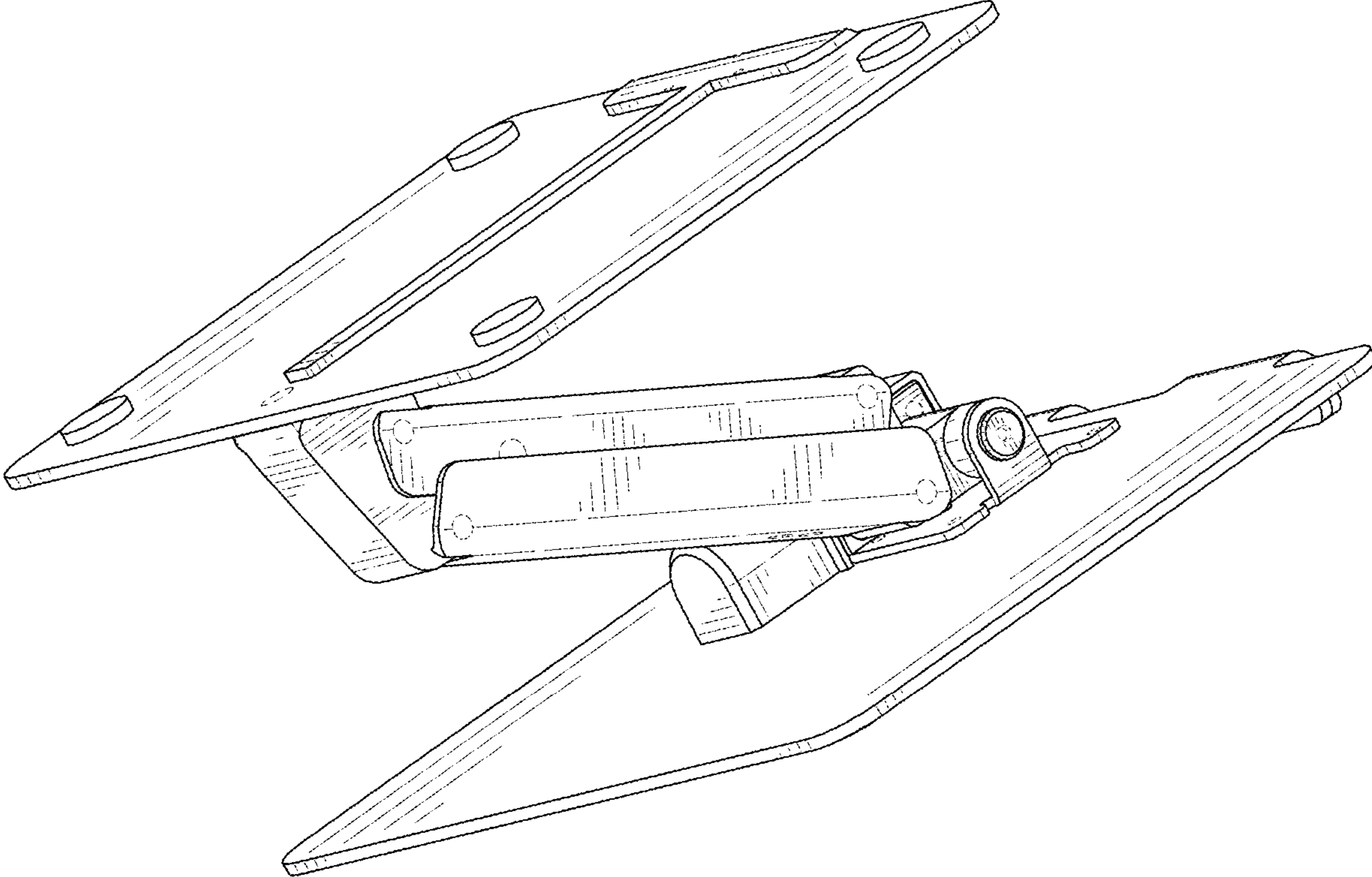


FIG. 2

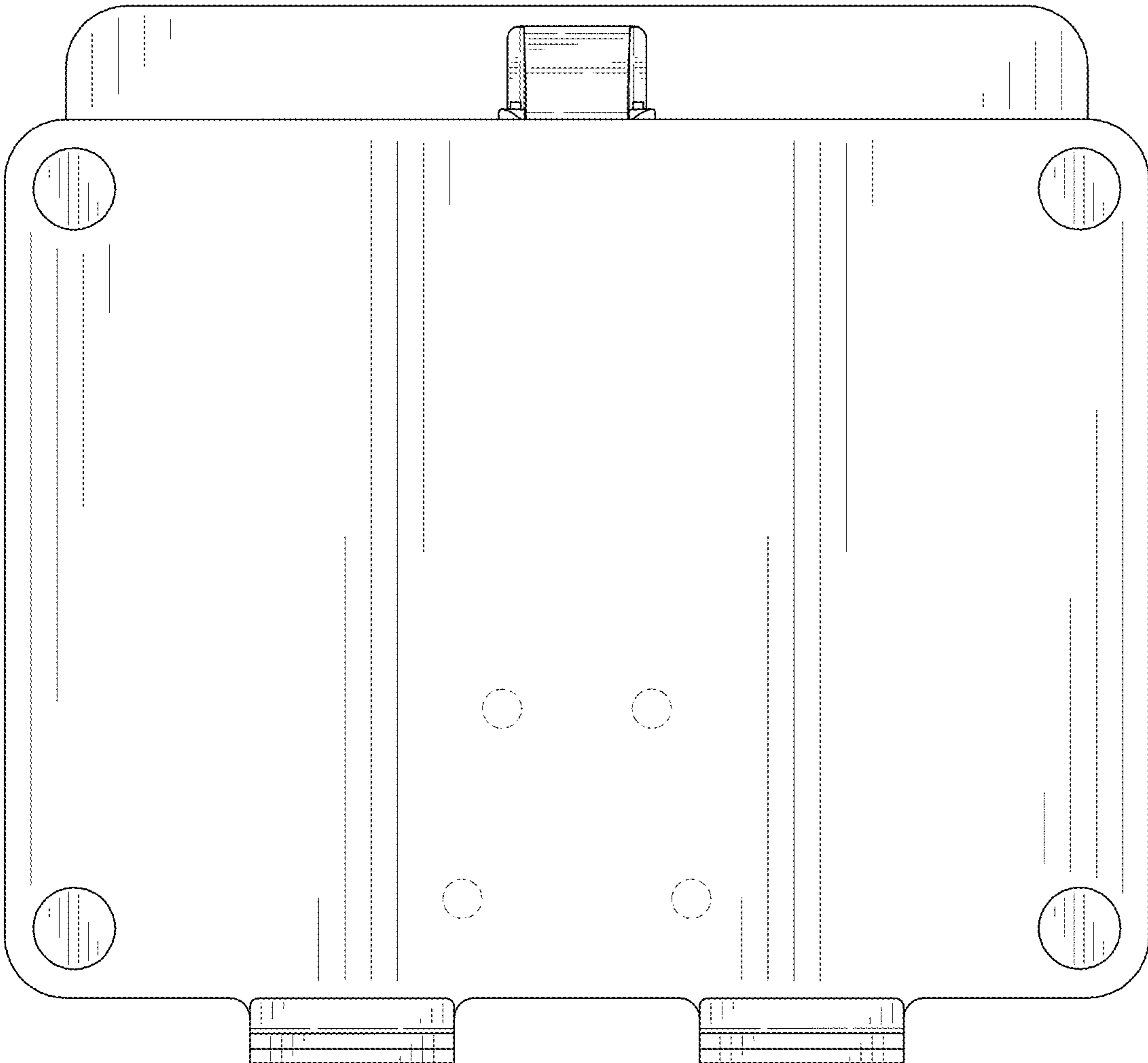


FIG. 3

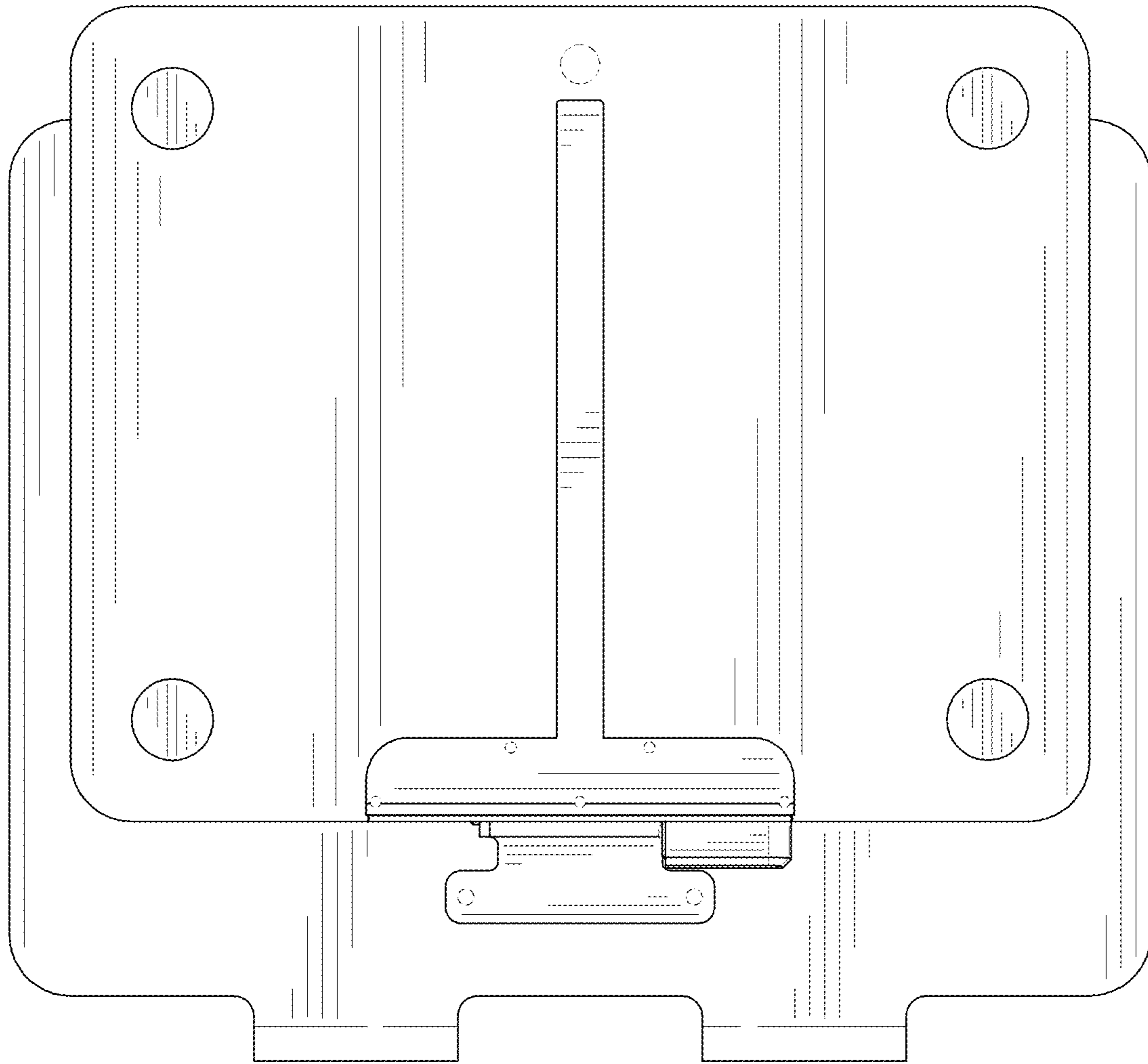


FIG. 4

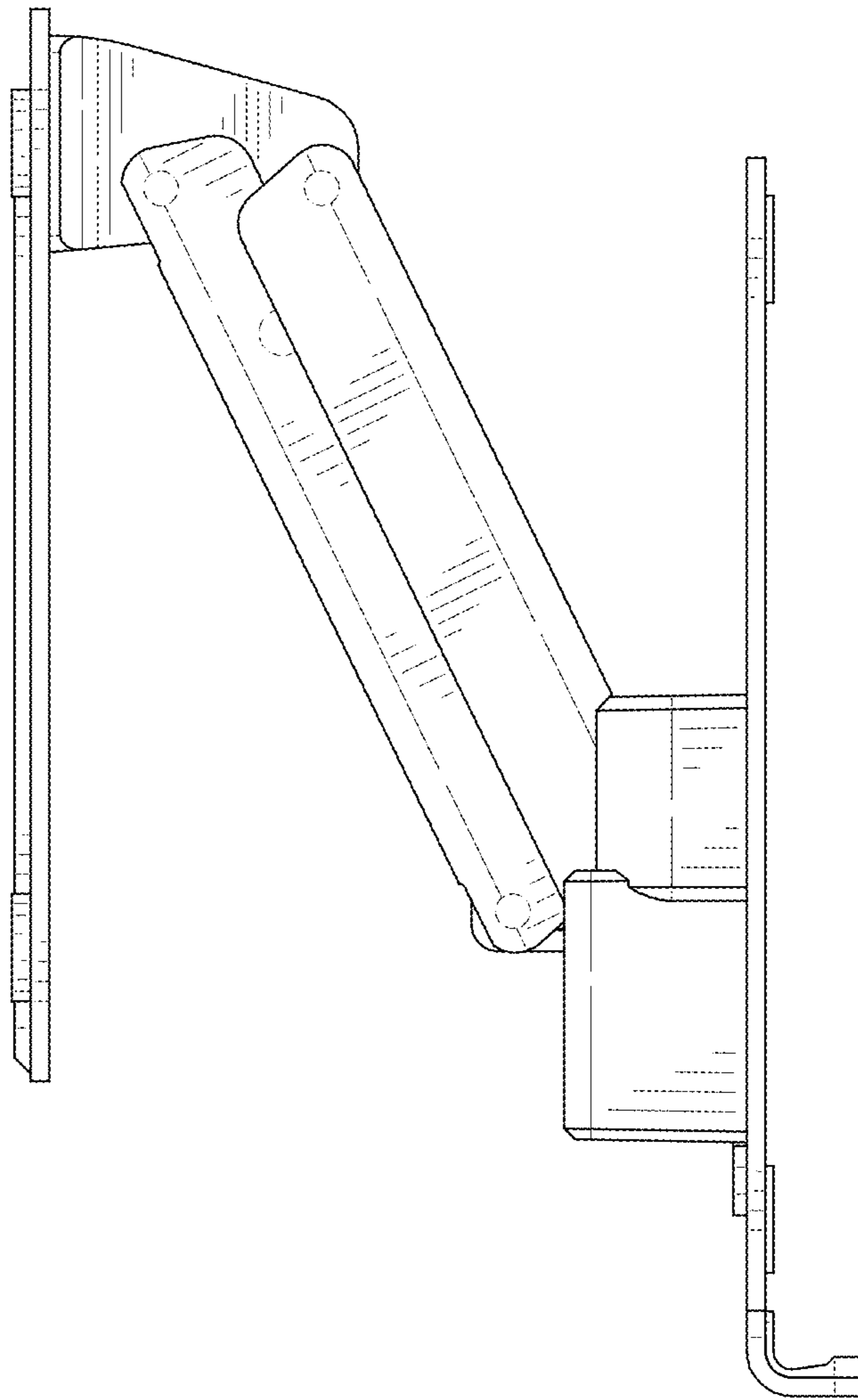


FIG. 5

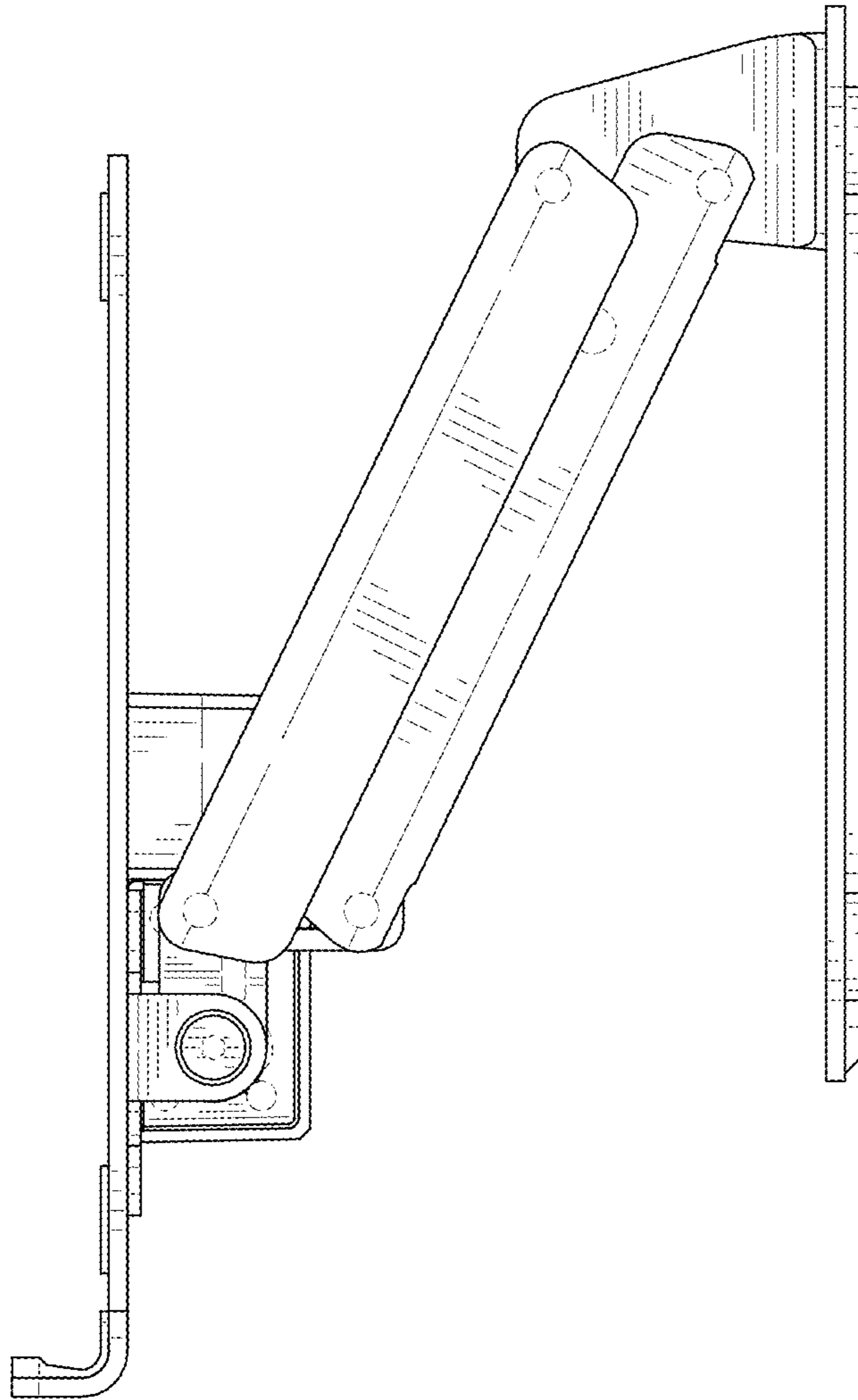


FIG. 6

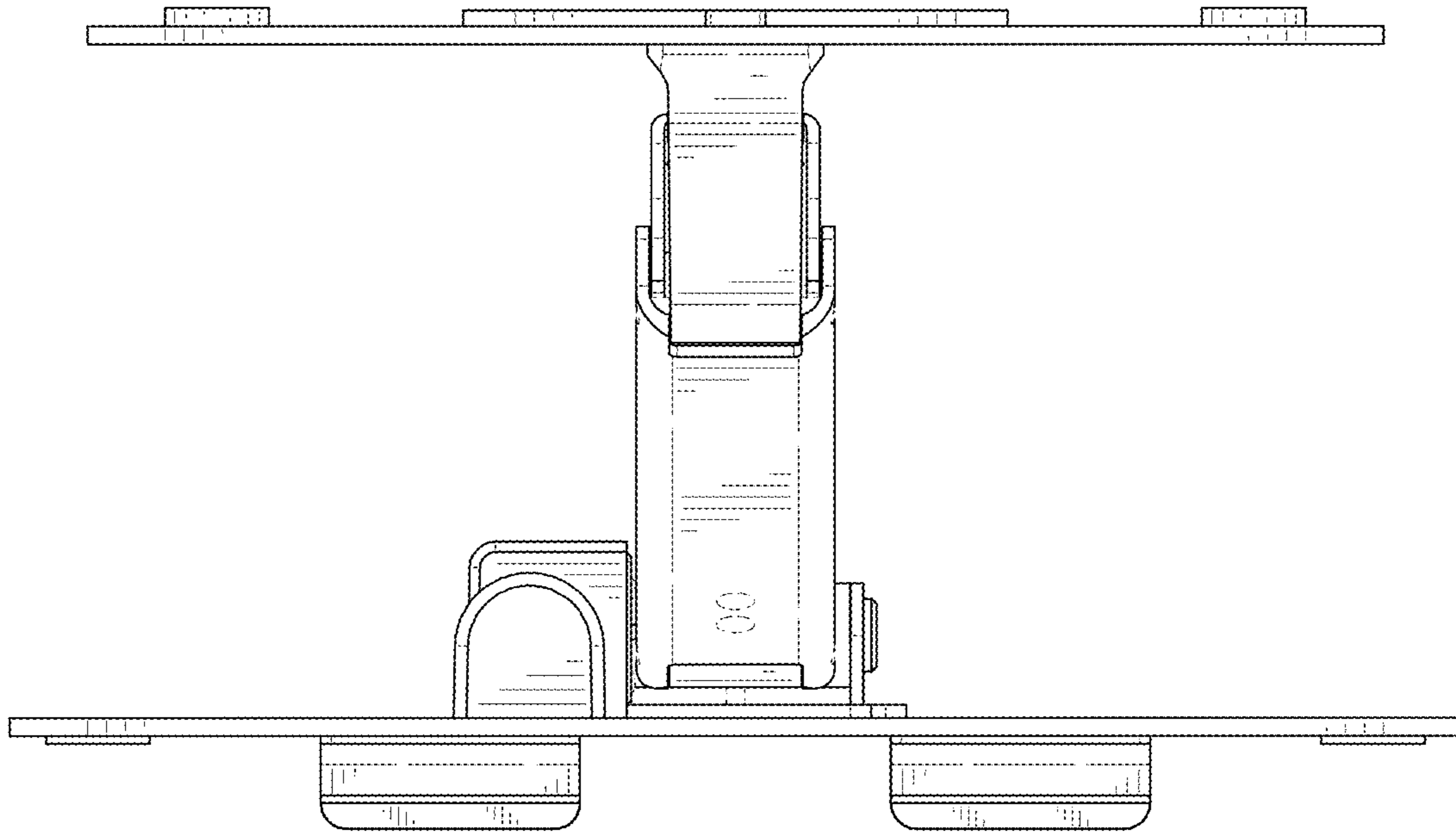


FIG. 7

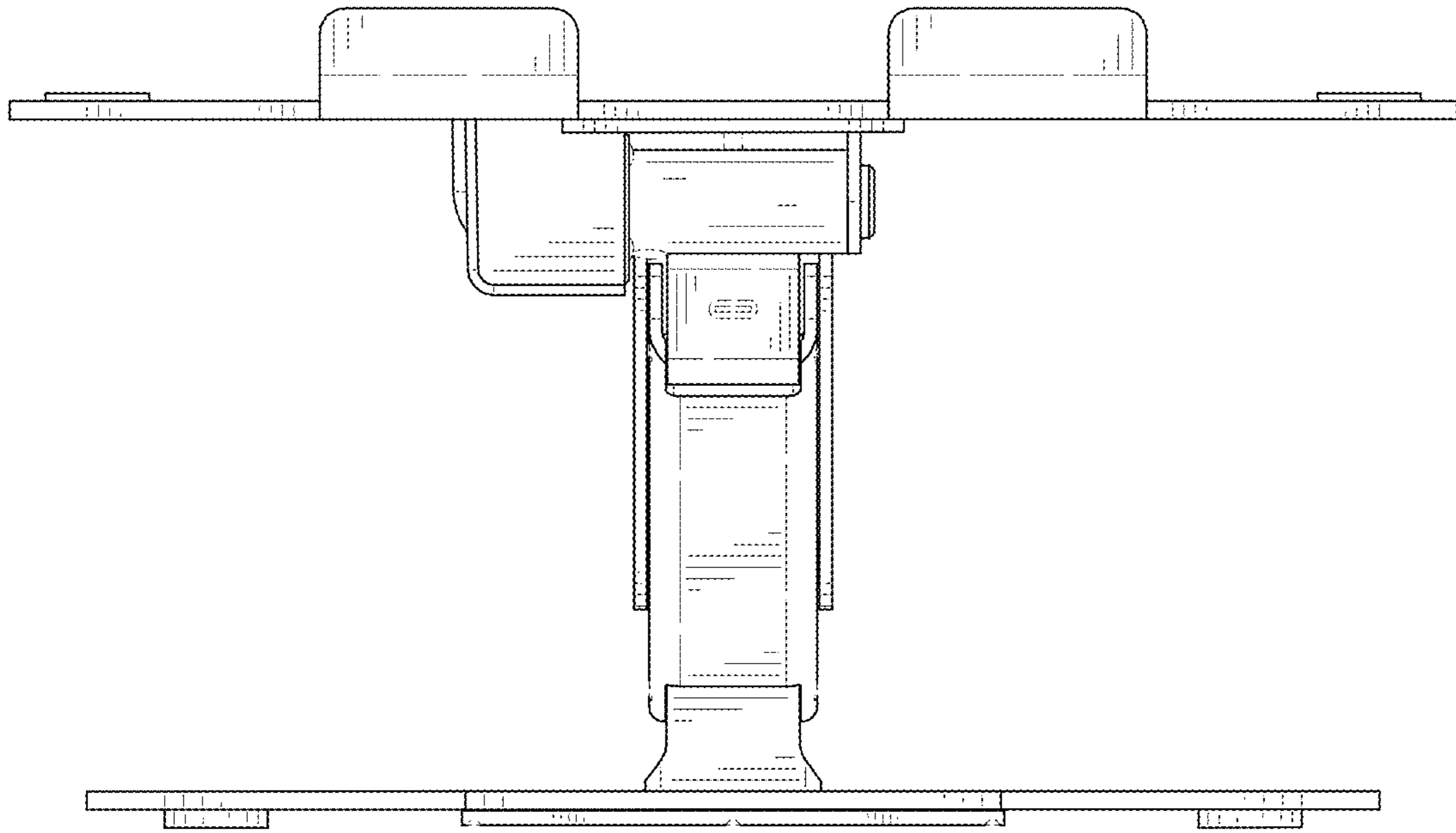


FIG. 8