



US00D940723S

(12) **United States Design Patent**  
**Cheng**

(10) **Patent No.:** **US D940,723 S**  
(45) **Date of Patent:** **\*\* Jan. 11, 2022**

(54) **CASE FOR ELECTRONIC DEVICE WITH MULTI-ANGLE STAND**

(71) Applicant: **Fintie LLC**, Hilliard, OH (US)

(72) Inventor: **Nai Chu Cheng**, Hilliard, OH (US)

(73) Assignee: **FINTIE LLC**, Hilliard, OH (US)

(\*\*) Term: **15 Years**

(21) Appl. No.: **29/741,119**

(22) Filed: **Jul. 9, 2020**

(51) **LOC (13) Cl.** ..... **14-02**

(52) **U.S. Cl.**  
USPC ..... **D14/440**

(58) **Field of Classification Search**  
USPC .... D14/440, 447, 250, 315; 206/45.23, 320,  
206/45.2; 361/679.55; 294/25; 224/218  
CPC ... G06F 1/1628; G06F 1/1626; A47B 23/044;  
H04B 1/3888

See application file for complete search history.

(56) **References Cited**

**U.S. PATENT DOCUMENTS**

4,259,568 A 3/1981 Dynesen  
5,375,076 A 12/1994 Goodrich et al.  
5,383,138 A 1/1995 Motoyama et al.  
(Continued)

**FOREIGN PATENT DOCUMENTS**

CN 2645409 Y 9/2004  
JP 2009253232 A 10/2009

**OTHER PUBLICATIONS**

Axis Case for iPad from Javo Edge Intl. LLC, at least as early as Jul. 8, 2010.

(Continued)

*Primary Examiner* — Cynthia R Underwood  
(74) *Attorney, Agent, or Firm* — Standley Law Group LLP

(57) **CLAIM**

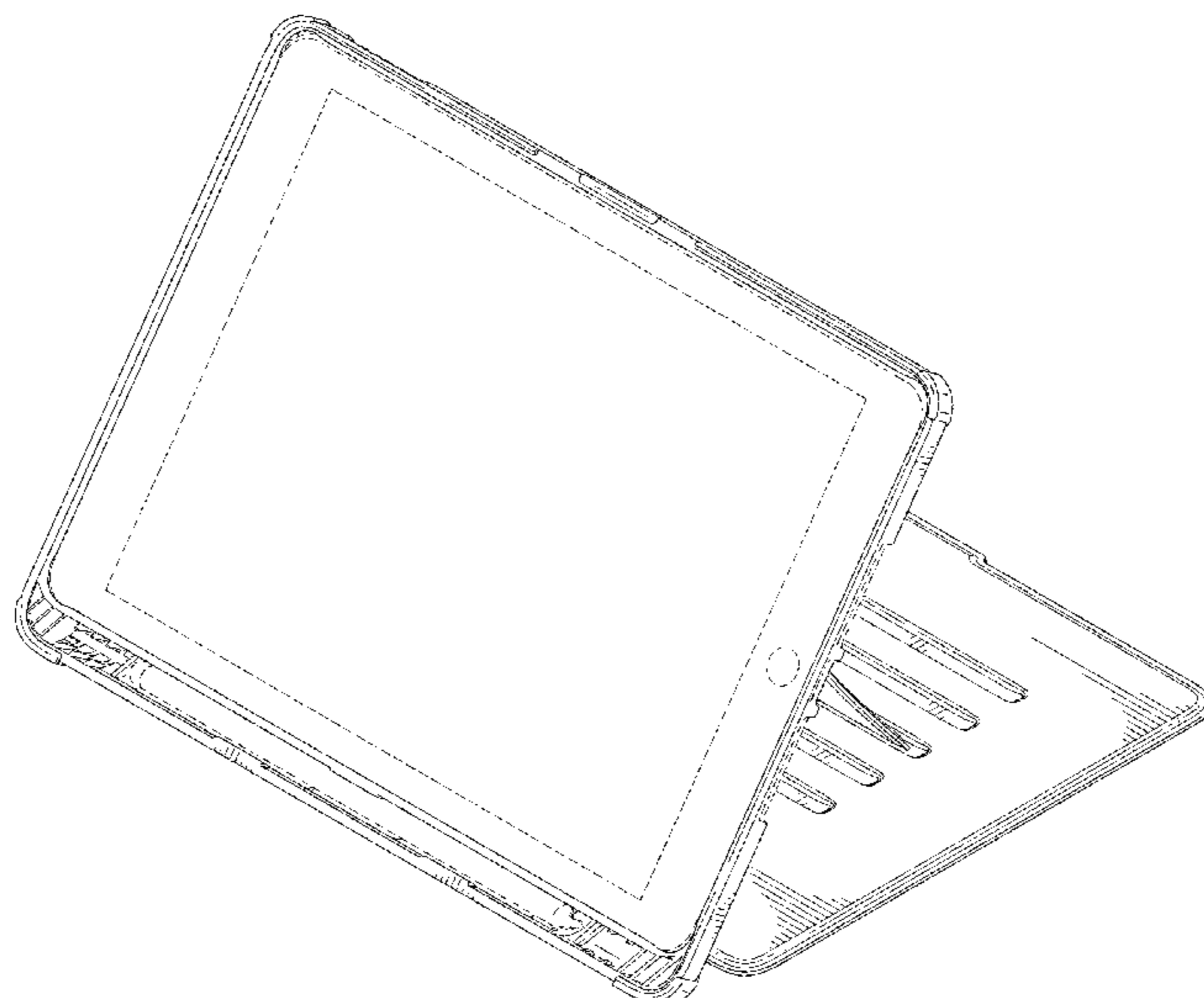
The ornamental design for a case for electronic device with multi-angle stand, as shown and described.

**DESCRIPTION**

FIG. 1 is a front perspective view of a case for electronic device with multi-angle stand shown in a first configuration of an open position;  
FIG. 2 is a front elevation view thereof, in the first configuration of an open position;  
FIG. 3 is a rear elevation view thereof, in the first configuration of an open position;  
FIG. 4 is a right-side elevation view thereof, in the first configuration of an open position;  
FIG. 5 is a left-side elevation view thereof, in the first configuration of an open position;  
FIG. 6 is a top plan view thereof, in the first configuration of an open position;  
FIG. 7 is a bottom plan view thereof, in the first configuration of an open position;  
FIG. 8 is a rear perspective view thereof, in the first configuration of an open position;  
FIG. 9 is a front perspective view thereof, shown in a second configuration of an open position with electronic device and stylus included;  
FIG. 10 is a right-side elevation view thereof, in the second configuration of an open position;  
FIG. 11 is a front perspective view thereof, shown in a third configuration of an open position with electronic device and stylus included;  
FIG. 12 is a right-side elevation view thereof, in the third configuration of an open position; and,  
FIG. 13 is a rear perspective view thereof, in a closed position.

The broken lines represent portions of the invention and an electronic device and stylus that form no part of the claim.

**1 Claim, 13 Drawing Sheets**



(56)

References Cited

U.S. PATENT DOCUMENTS

D385,264 S	10/1997	Schindler et al.	D752,593 S	3/2016	Diebel
D386,171 S	11/1997	Tague	D753,648 S	4/2016	Shyu
7,042,712 B2	5/2006	Ghosh et al.	9,307,062 B2	4/2016	Kim
7,281,698 B2	10/2007	Patterson, Jr.	D764,472 S	8/2016	Corcoran
D597,052 S	7/2009	Kim	D765,085 S *	8/2016	Moore ..... D14/440
D611,253 S	3/2010	Lown et al.	D765,662 S	9/2016	Kang
D620,001 S	7/2010	Reed	D770,458 S	11/2016	Corcoran
7,925,312 B2	4/2011	Takagi et al.	D772,880 S	11/2016	Corcoran
D645,251 S	9/2011	Lee	9,489,054 B1	11/2016	Sumsion
D649,144 S	11/2011	Fathollahi	D773,470 S	12/2016	Akana
8,230,992 B2	7/2012	Law et al.	D779,485 S	2/2017	Akana
D667,831 S	9/2012	Stravitz	9,578,941 B2	2/2017	MacLachlan
D668,661 S	10/2012	Norfolk	D784,350 S	4/2017	Li
8,282,060 B2	10/2012	Fan	D786,853 S	5/2017	Friedland
D672,353 S	12/2012	Liu	D787,497 S	5/2017	Friedland
D676,448 S	2/2013	Gorman et al.	D789,342 S	6/2017	Sirichai
D676,449 S	2/2013	Probst et al.	D789,937 S	6/2017	Zhang
8,382,059 B2	2/2013	Le Gette et al.	D791,754 S *	7/2017	Armstrong ..... D14/250
D677,668 S	3/2013	Phillips et al.	D792,887 S	7/2017	Zhang
D678,886 S	3/2013	Heckler	D794,626 S	8/2017	Armstrong
D681,951 S	5/2013	Phillips et al.	D795,264 S	8/2017	Wright et al.
D682,839 S	5/2013	Sampson et al.	9,717,314 B2	8/2017	Idehara
D685,358 S	7/2013	Armstrong	D803,222 S	11/2017	Cheng
D685,786 S	7/2013	Seoc	D804,490 S *	12/2017	Wei ..... D14/447
D689,056 S	9/2013	Li	D806,082 S	12/2017	Armstrong
D690,704 S	10/2013	Padilla et al.	D807,363 S	1/2018	Hallier
D691,144 S	10/2013	Peters et al.	D807,365 S	1/2018	Liu
D694,246 S	11/2013	Park et al.	D807,892 S	1/2018	Wang
D694,759 S	12/2013	Chang	D808,394 S	1/2018	Lakraa
D696,256 S	12/2013	Piedra	D808,395 S	1/2018	Fenton
D696,669 S	12/2013	Akana	D811,390 S	2/2018	Kim
D696,864 S	1/2014	Phillips et al.	D811,411 S	2/2018	Moore
D700,611 S	3/2014	Boldetti	D819,038 S	5/2018	Dieble
D703,672 S	4/2014	Kim et al.	D819,603 S	6/2018	Pearce
D705,785 S *	5/2014	Wang ..... D14/447	D820,839 S	6/2018	Akana
D706,783 S	6/2014	Almodova	D822,674 S	7/2018	Zhu
8,746,449 B2	6/2014	Gallagher et al.	D822,675 S	7/2018	Zhu
D709,509 S	7/2014	Kim	D825,571 S	8/2018	Shannon, III
8,783,458 B2	7/2014	Gallagher et al.	D829,722 S	10/2018	Kim
D711,886 S	8/2014	Kerawala et al.	D832,269 S	10/2018	Cheng
8,800,937 B1	8/2014	Lee et al.	D832,270 S	10/2018	Cheng
D712,412 S	9/2014	Bleau et al.	D832,271 S	10/2018	Cheng
D712,413 S	9/2014	Fukai	10,117,505 B1	11/2018	Alvarez
D715,052 S	10/2014	Fair	10,139,861 B2	11/2018	Gallagher et al.
D715,785 S	10/2014	Jacob	D837,219 S	1/2019	Gao
D719,169 S	12/2014	McBroom	D838,275 S *	1/2019	Nyholm ..... D14/440
D720,355 S	12/2014	Akana et al.	D845,305 S	4/2019	Xu
8,905,231 B2	12/2014	Couch, III	D846,550 S	4/2019	Feng
D722,057 S	2/2015	Schoenith et al.	D846,551 S	4/2019	Feng
8,960,421 B1	2/2015	Diebel	D846,552 S	4/2019	Feng
D723,568 S	3/2015	Kim	D846,553 S	4/2019	Feng
D724,090 S	3/2015	Kim	D848,409 S	5/2019	Feng
D724,092 S	3/2015	Zangari	D848,410 S	5/2019	Schiro
D727,916 S	4/2015	Melmon	D850,455 S	6/2019	Cheng
D727,917 S	4/2015	Yeo	D851,649 S	7/2019	Tan
D727,919 S	4/2015	Melmon et al.	D857,023 S	8/2019	Hyun
D729,252 S	5/2015	Smith et al.	D857,700 S *	8/2019	Zeng ..... D14/447
D729,253 S	5/2015	Nyholm	10,389,398 B1	8/2019	Garcia
D729,256 S	5/2015	Feng	D868,071 S	11/2019	Liu
D733,150 S	6/2015	Sirichai	D868,072 S	11/2019	Lei
D733,152 S	6/2015	Sirichai	D868,788 S	12/2019	Weng
D734,340 S	7/2015	Kim	D870,116 S	12/2019	Lei
9,095,194 B2	8/2015	Hassett	D871,415 S	12/2019	Lin
9,110,630 B2 *	8/2015	Cakir ..... G06F 1/1628	D872,093 S	1/2020	Xu
9,170,611 B2	10/2015	Gallagher et al.	D874,466 S	2/2020	Lei
D743,170 S	11/2015	Akana et al.	D881,895 S	4/2020	Liu
D744,489 S	12/2015	Sirichai	D883,986 S	5/2020	Akana et al.
D744,492 S	12/2015	Lin	D883,989 S	5/2020	Cheng
D745,525 S *	12/2015	Bates ..... D14/440	D884,710 S	5/2020	Hyun
9,227,763 B2	1/2016	Gengler	D885,399 S	5/2020	Chen
D749,069 S	2/2016	Senoff	D886,109 S *	6/2020	Li ..... D14/440
D749,083 S	2/2016	Senoff	D886,829 S *	6/2020	Cheng ..... D14/447
D750,089 S	2/2016	Langhein	D887,415 S	6/2020	Claudepierre et al.
D750,632 S	3/2016	Diebel	D888,718 S	6/2020	Xu
D752,052 S	3/2016	Park	D888,719 S	6/2020	Moore
			D889,474 S	7/2020	Akana et al.
			D892,126 S	8/2020	Kim et al.
			D892,128 S	8/2020	Chen
			D892,803 S	8/2020	Armstrong et al.



(56)

References Cited

U.S. PATENT DOCUMENTS

D893,497 S 8/2020 Li  
 D897,346 S 9/2020 Claudepierre et al.  
 D900,114 S 10/2020 Tang  
 D900,115 S \* 10/2020 Xu ..... D14/440  
 D901,512 S 11/2020 Chen  
 D903,684 S 12/2020 Lee et al.  
 D904,413 S \* 12/2020 Feng ..... D14/440  
 D906,338 S \* 12/2020 Hyun ..... D14/440  
 D906,340 S 12/2020 Akana et al.  
 D907,044 S 1/2021 Cheng  
 D909,391 S 2/2021 Cheng  
 D910,641 S 2/2021 Wu  
 D912,060 S 3/2021 Zhu  
 D912,063 S 3/2021 Yan  
 D913,293 S 3/2021 Feng  
 D921,637 S \* 6/2021 Cheng ..... D14/440  
 D922,393 S \* 6/2021 Nana ..... D14/447  
 D923,630 S \* 6/2021 Lu ..... D14/447  
 D928,788 S \* 8/2021 Kang ..... D14/440  
 D930,002 S 9/2021 Zhou  
 2001/0009500 A1 7/2001 Selker  
 2003/0213886 A1 11/2003 Gilbert  
 2005/0213298 A1 9/2005 Doherty et al.  
 2007/0057140 A1 3/2007 Liou  
 2007/0177344 A1 8/2007 Hsia  
 2007/0254729 A1 11/2007 Freund  
 2008/0029412 A1 2/2008 Ho  
 2008/0167095 A1 7/2008 Kim  
 2008/0302687 A1 \* 12/2008 Sirichai ..... A45C 11/00  
 2009/0017883 A1 1/2009 Lin  
 2009/0159763 A1 6/2009 Kim  
 2009/0178938 A1 7/2009 Palmer  
 2009/0194209 A1 8/2009 De Filippis  
 2009/0201254 A1 8/2009 Rais  
 2010/0230301 A1 9/2010 Fellig  
 2010/0294909 A1 11/2010 Hauser  
 2010/0300909 A1 12/2010 Hung  
 2011/0227463 A1 9/2011 Hou  
 2011/0266194 A1 11/2011 Bau  
 2011/0284599 A1 11/2011 Sternick  
 2011/0290687 A1 12/2011 Han  
 2011/0297566 A1 12/2011 Gallagher  
 2012/0012483 A1 1/2012 Fan  
 2012/0044638 A1 2/2012 Mongan et al.

2012/0075799 A1 3/2012 Pollex  
 2012/0103855 A1 5/2012 Gaddis, II et al.  
 2012/0140396 A1 6/2012 Zelif  
 2012/0194448 A1 8/2012 Rothkopf  
 2013/0088431 A1 4/2013 Ballagas et al.  
 2013/0140194 A1 6/2013 Han  
 2013/0223005 A1 8/2013 Smith et al.  
 2013/0233762 A1 9/2013 Balaji  
 2013/0264459 A1 10/2013 McCosh  
 2014/0139989 A1 5/2014 Mori et al.  
 2014/0274215 A1 9/2014 Del Toro et al.  
 2014/0291175 A1 10/2014 Chung  
 2014/0291177 A1 10/2014 Ko et al.  
 2015/0001105 A1 1/2015 Nyholm et al.  
 2015/0041341 A1 2/2015 Marshall et al.  
 2015/0065208 A1 3/2015 Balaji et al.  
 2015/0083615 A1 3/2015 Lay et al.  
 2015/0151887 A1 6/2015 Huang  
 2015/0237979 A1 8/2015 Huang  
 2015/0263776 A1 9/2015 Shyu et al.  
 2015/0266610 A1 9/2015 Melmon et al.  
 2015/0280768 A1 10/2015 Huang  
 2015/0282354 A1 10/2015 Spollen et al.  
 2015/0293601 A1 10/2015 Gu  
 2015/0296060 A1 10/2015 Gu  
 2015/0296068 A1 10/2015 Chin  
 2016/0011628 A1 1/2016 Sato  
 2016/0018854 A1 1/2016 Yu et al.  
 2016/0187937 A1 6/2016 Ahee

OTHER PUBLICATIONS

JAVOedge Axis iPad Case for the iPad, JAVOedge, Jul. 8, 2010, youtube.com.  
 JAVOedge Fiber Axis iPad Case Review, Pat David, Aug. 13, 2010, patdavid.net.  
 Nanovision MIMO 710-S USB LCD display gets folding travel case/stand, Chris Davies, Aug. 4, 2009, slashgear.com.  
 EU Design Registration No. 002447318-0001, Apple Inc., Registered Apr. 15, 2014.  
 EU Design Registration No. 002447318-0002, Apple Inc., Registered Apr. 15, 2014.  
 EU Design Registration No. 002447318-0003, Apple Inc., Registered Apr. 15, 2014.  
 EU Design Registration No. 002447318-0004, Apple Inc., Registered Apr. 15, 2014.

\* cited by examiner

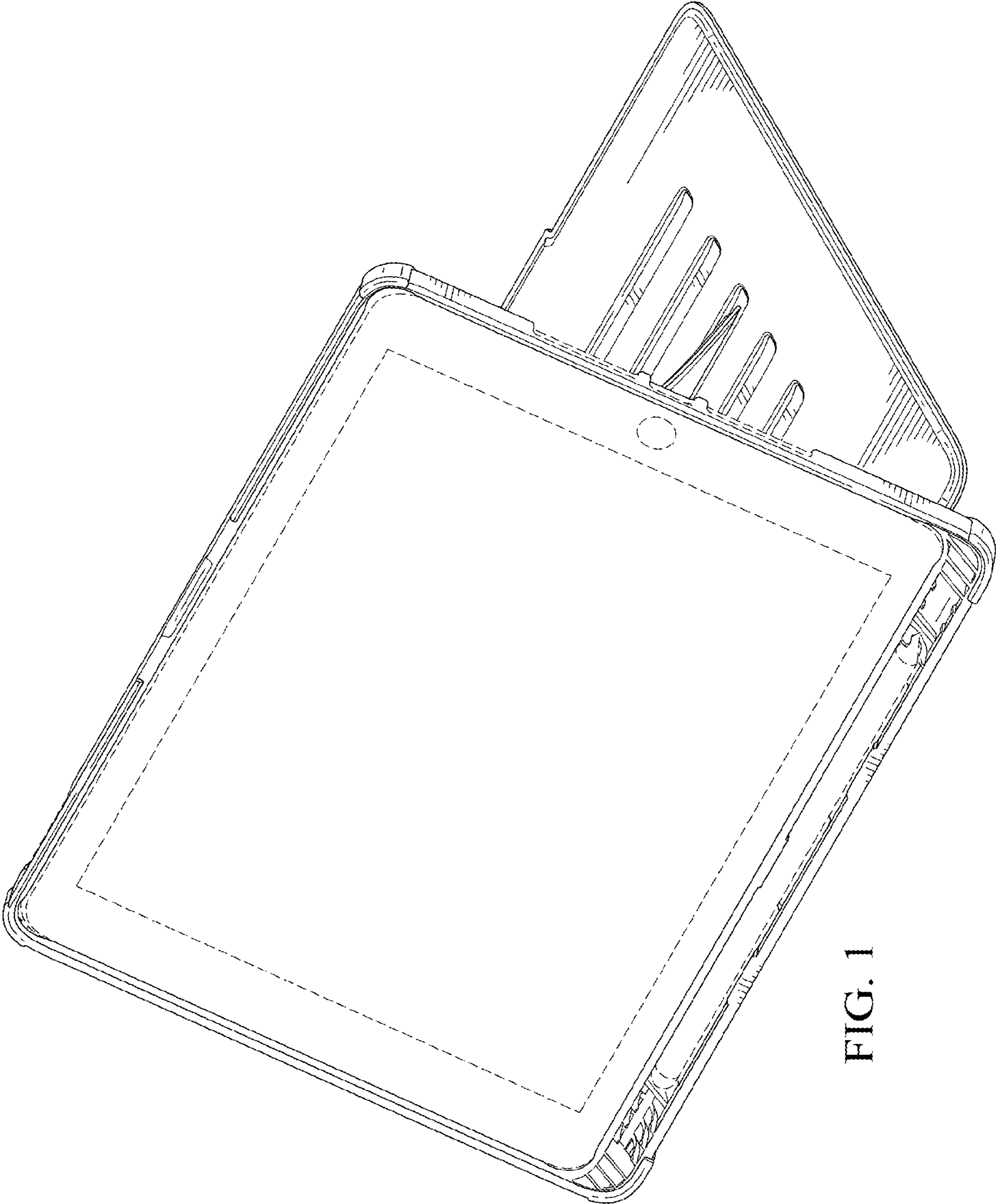


FIG. 1

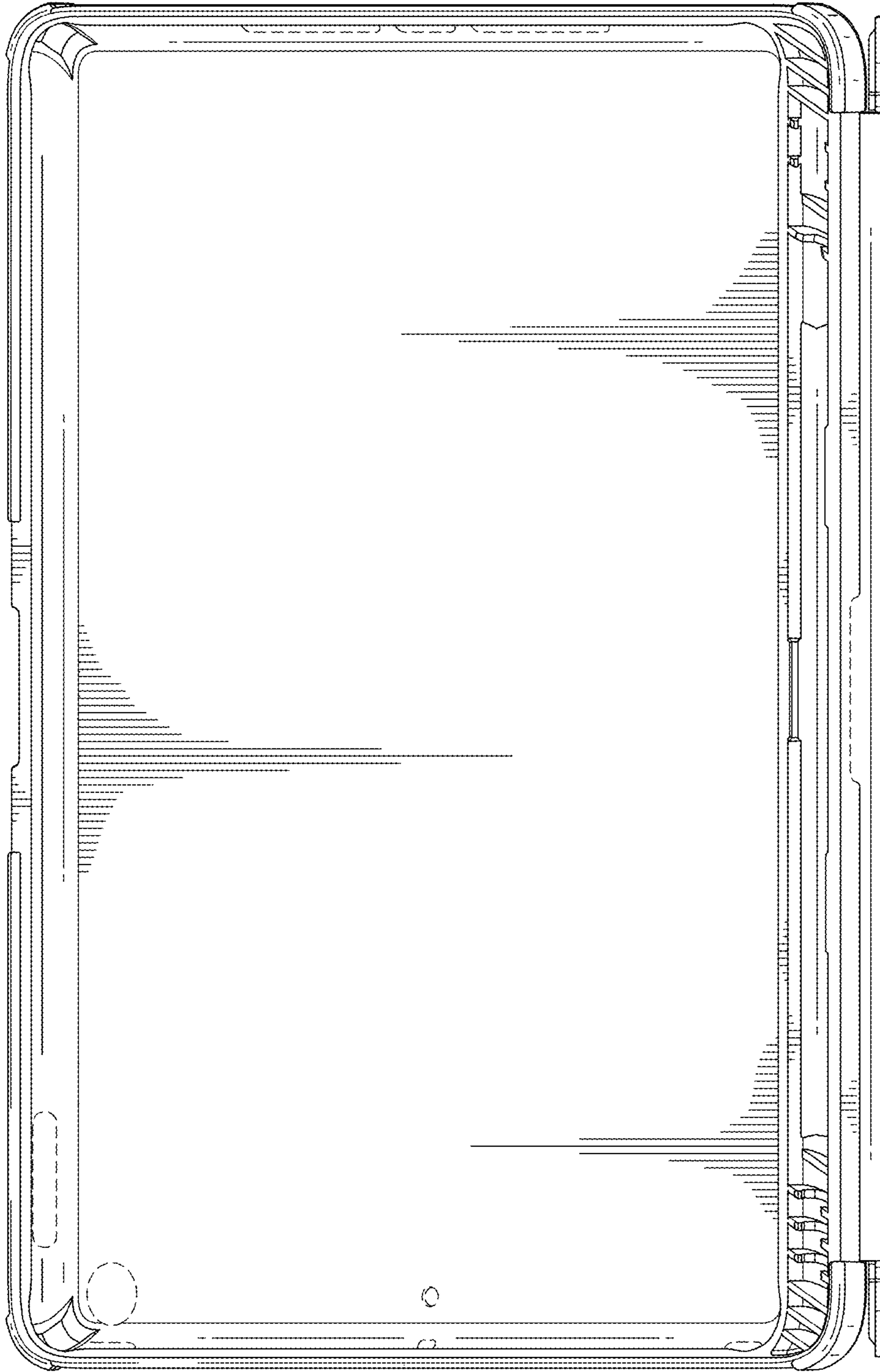


FIG. 2



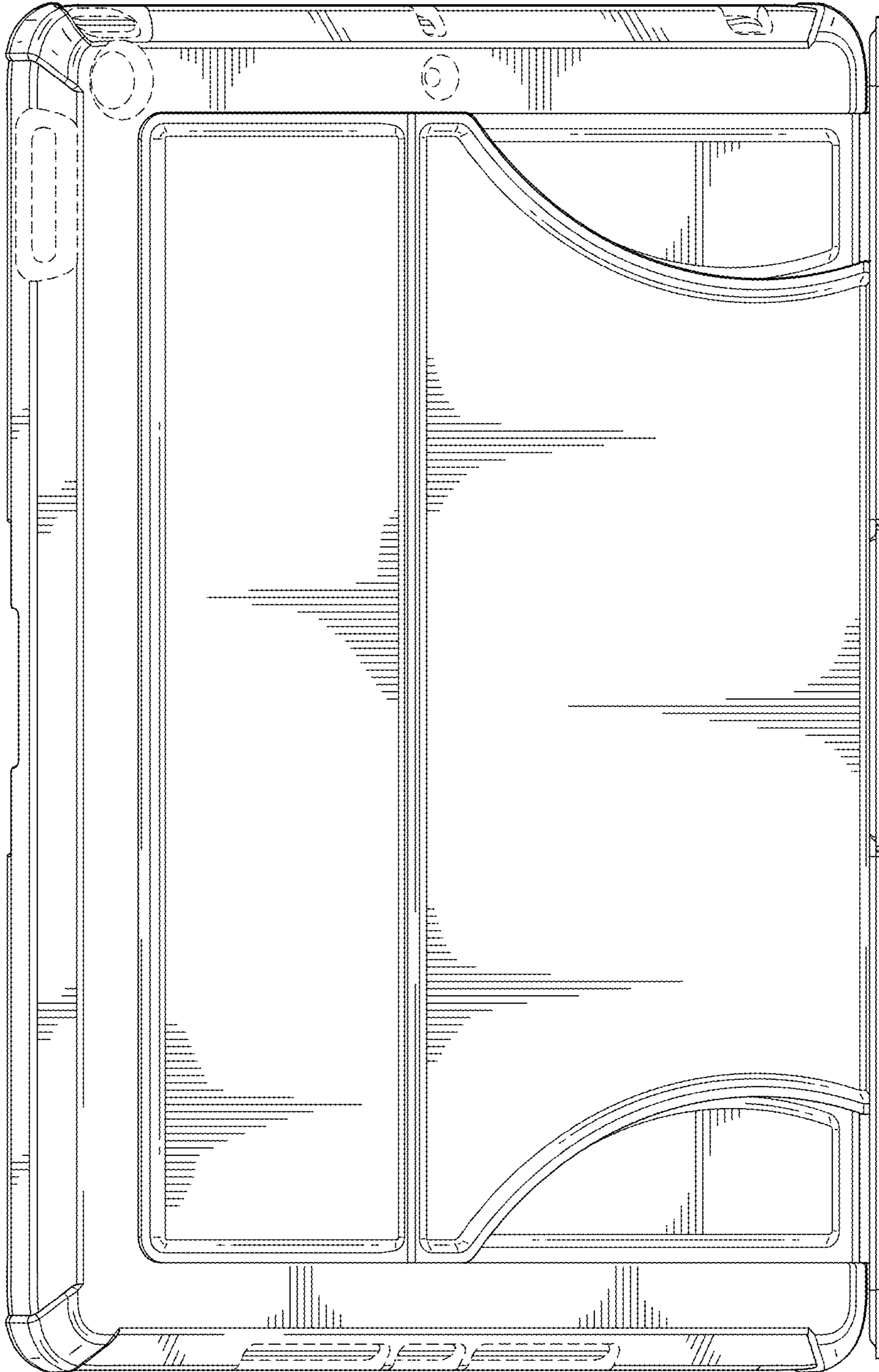


FIG. 3

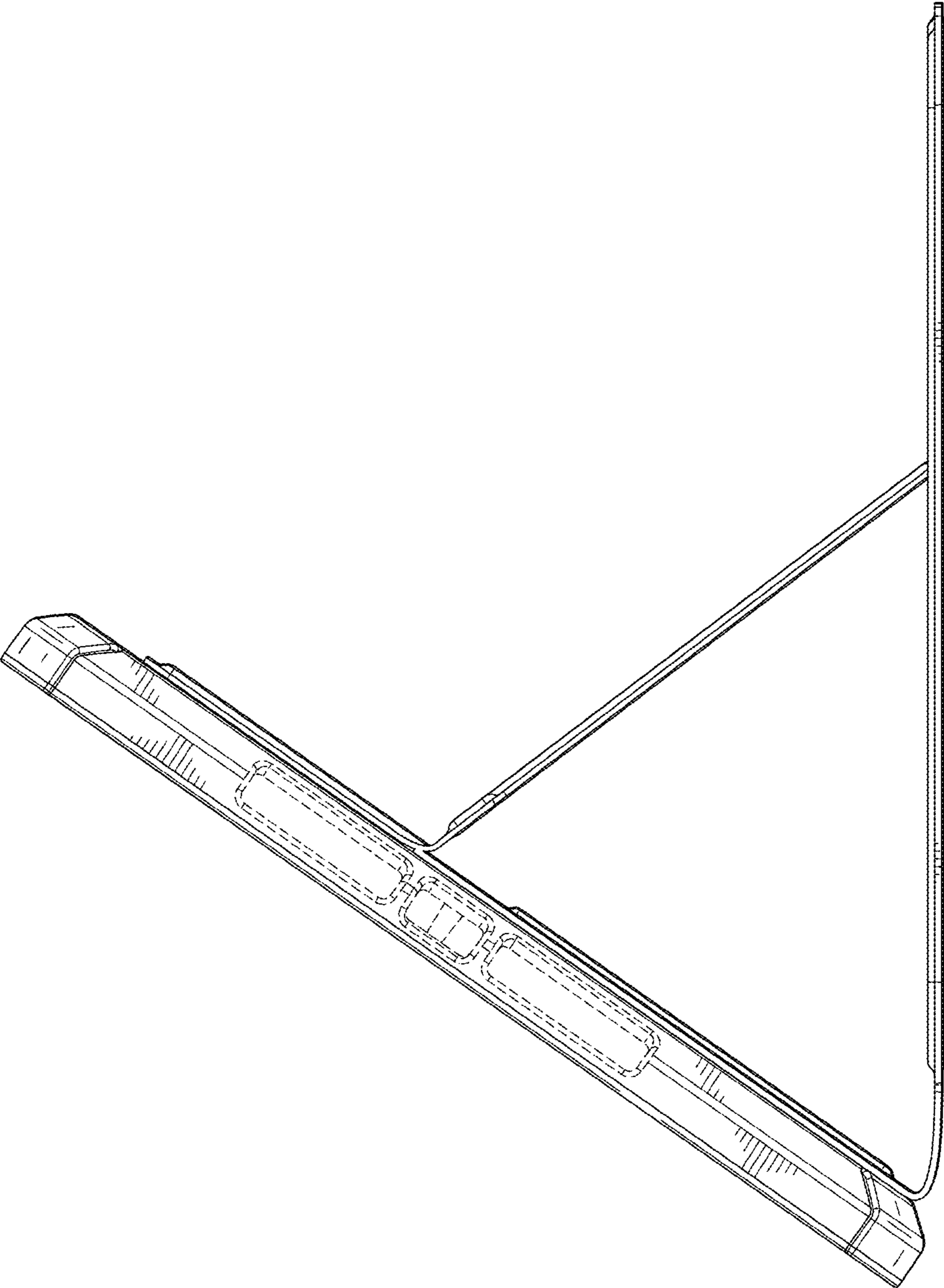


FIG. 4

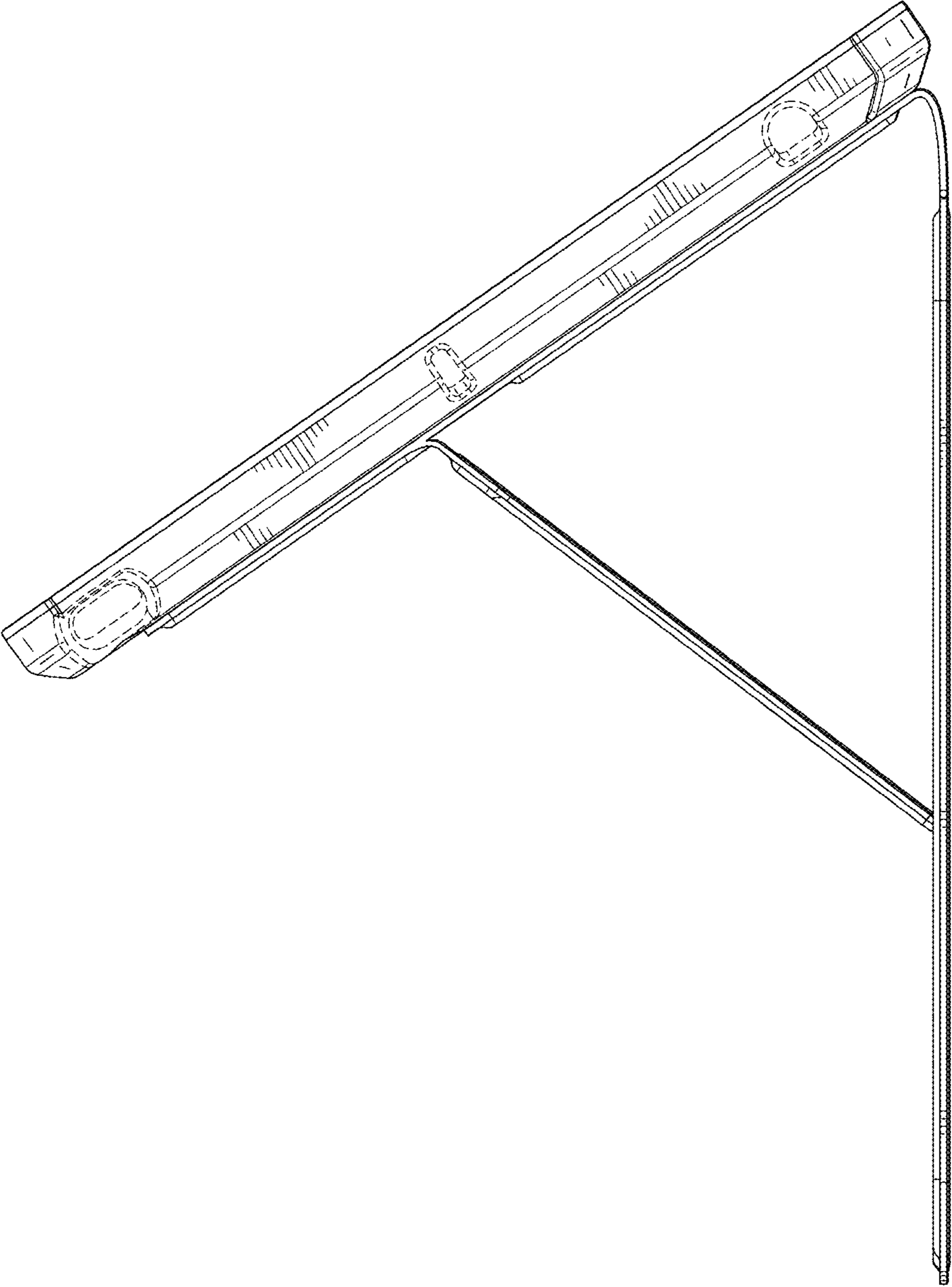


FIG. 5



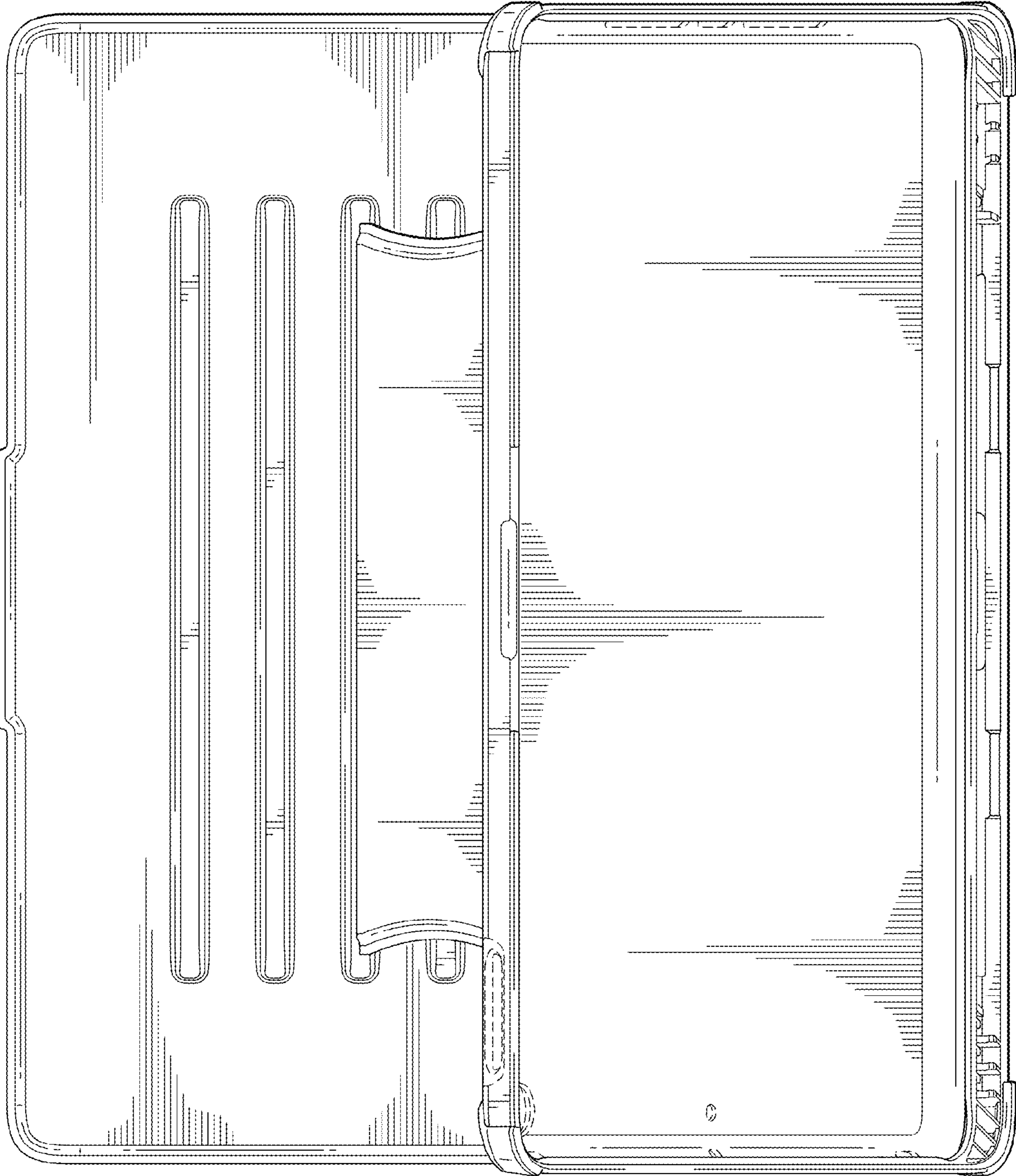


FIG. 6

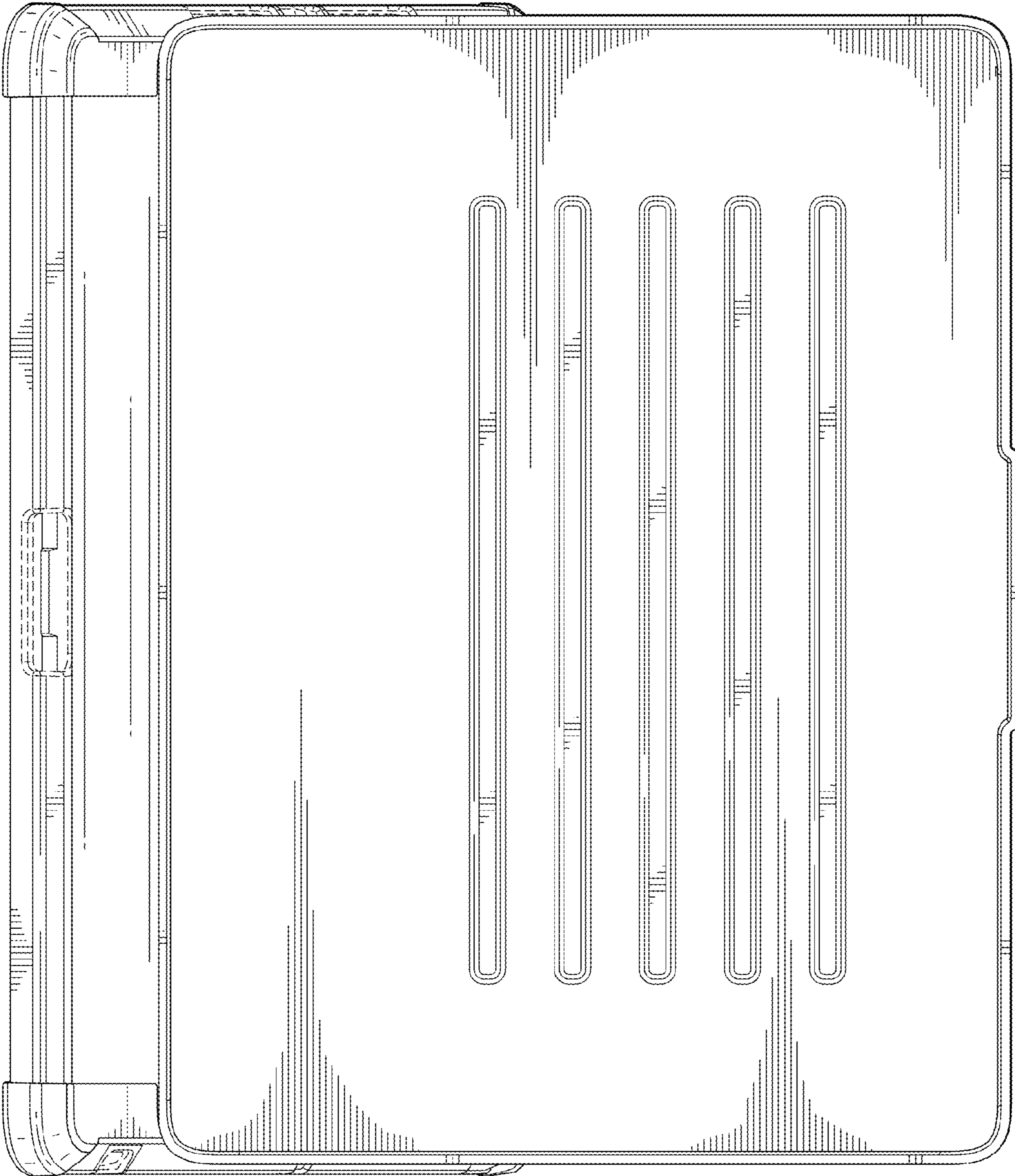


FIG. 7

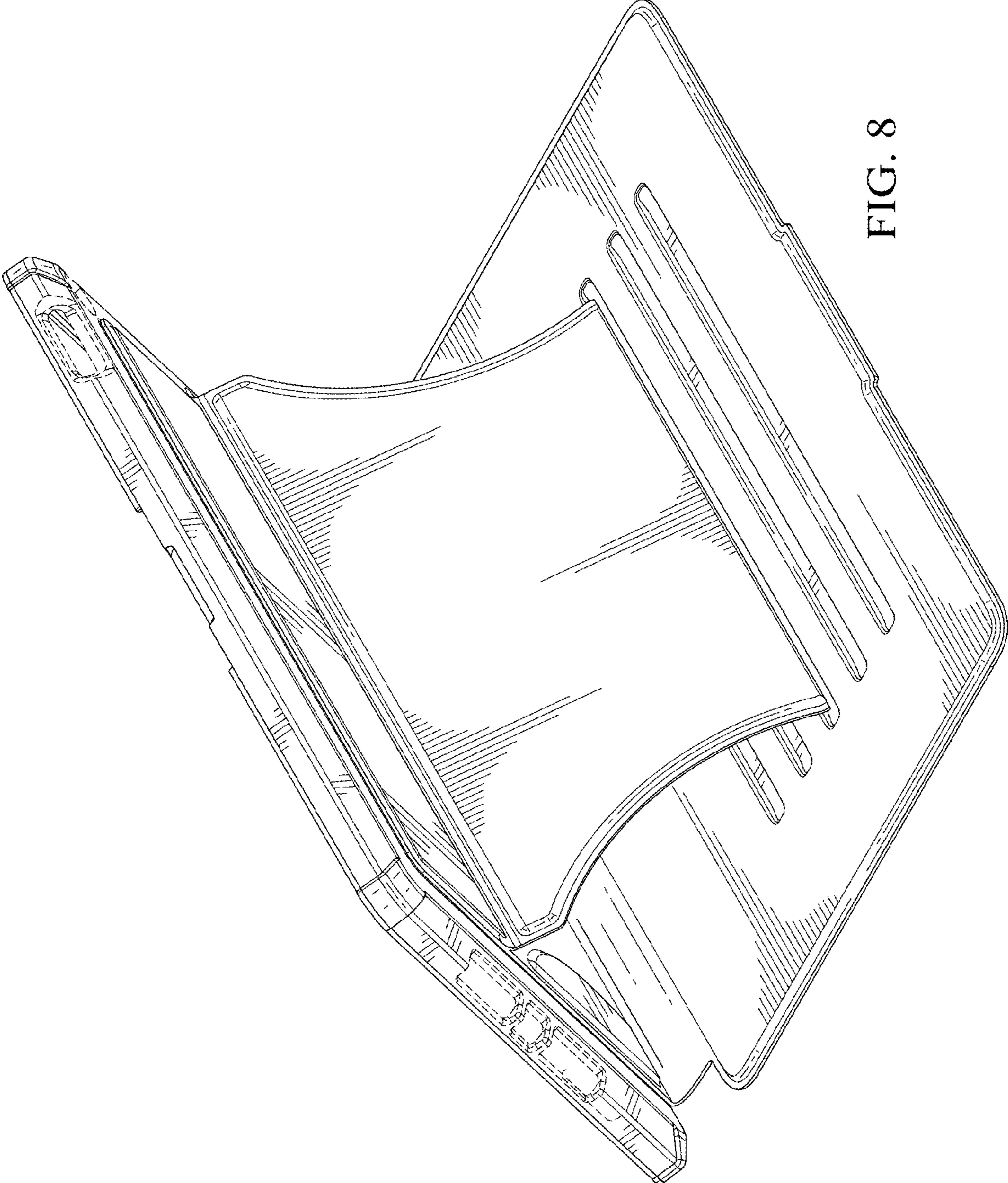


FIG. 8



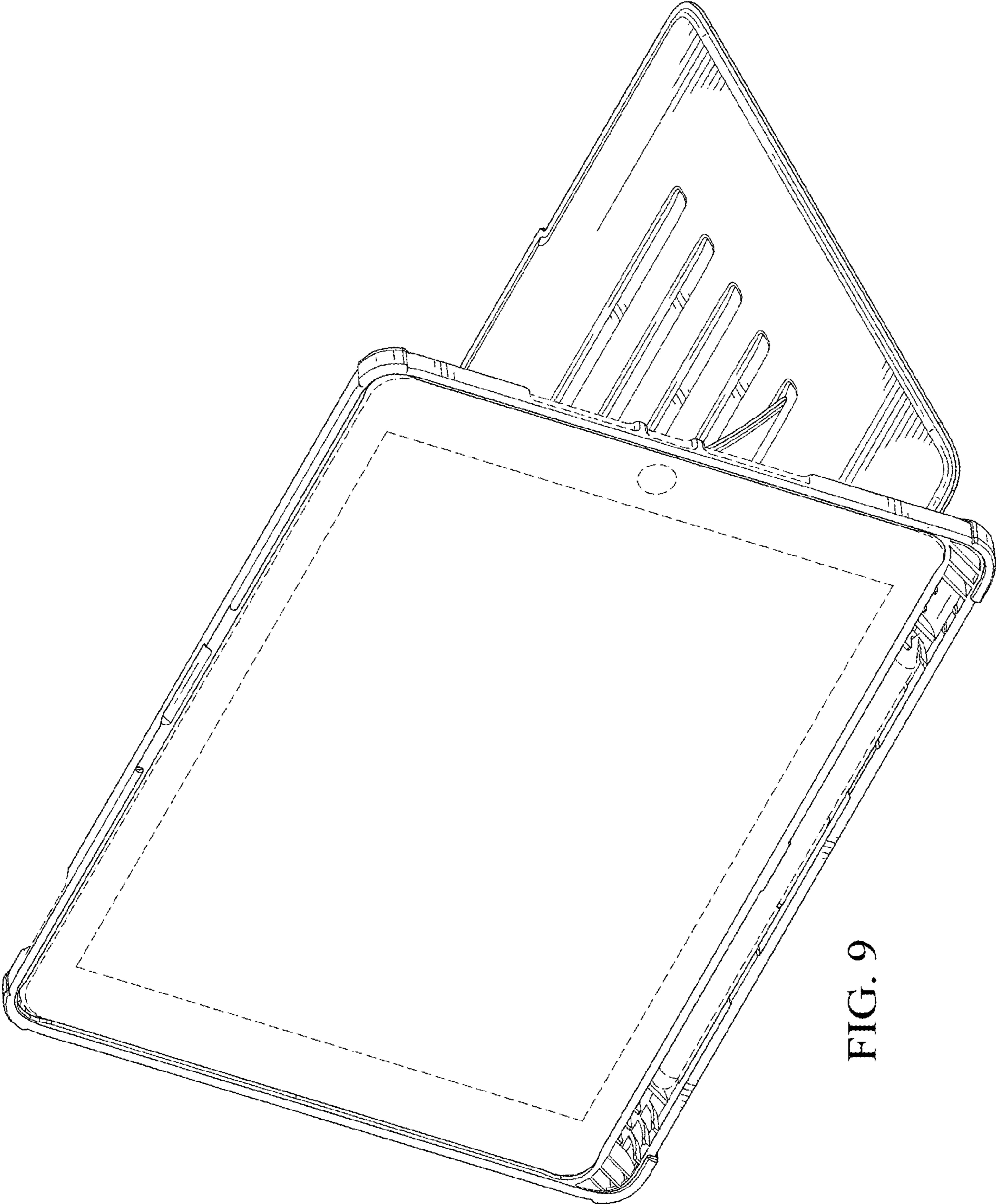


FIG. 9

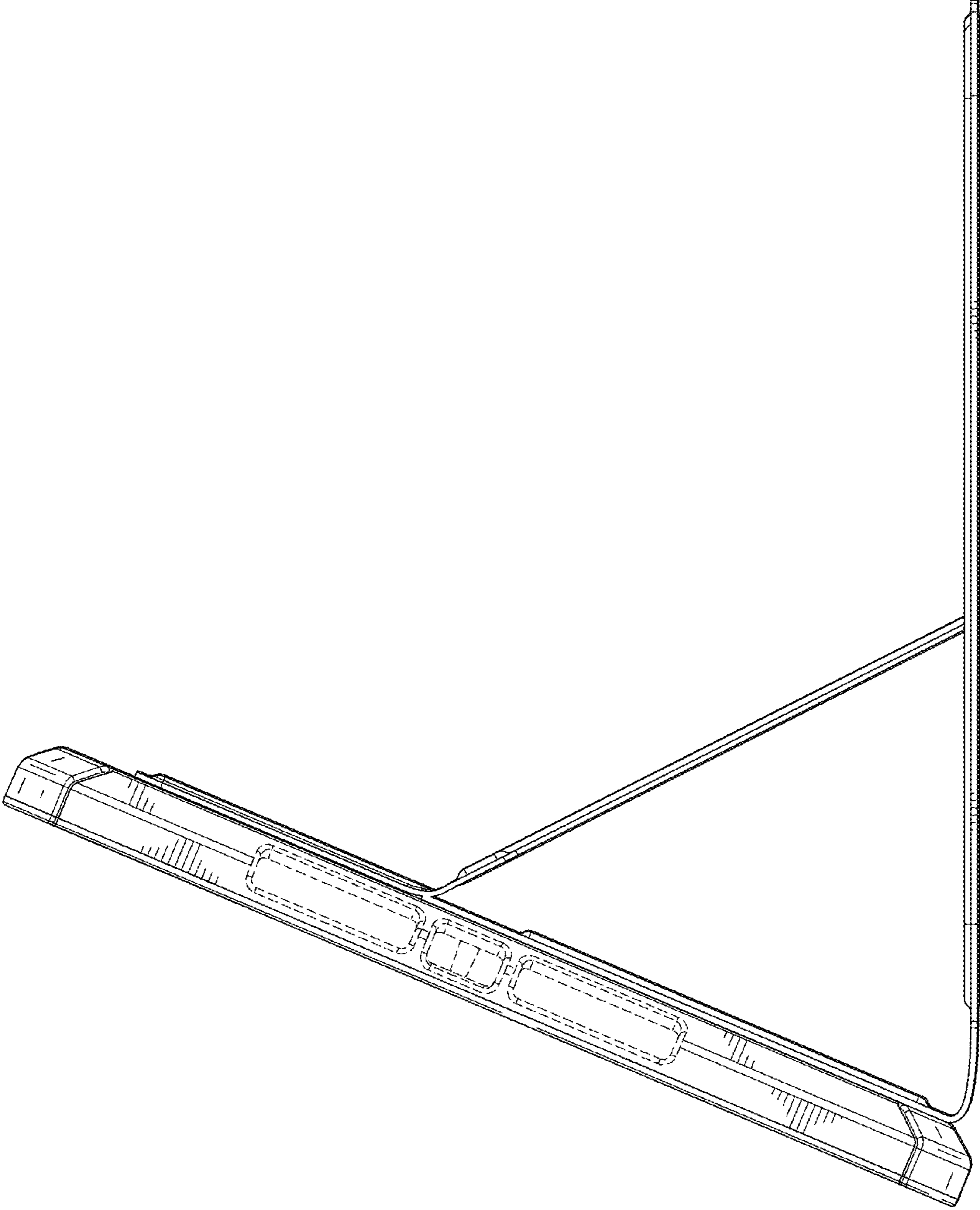


FIG. 10

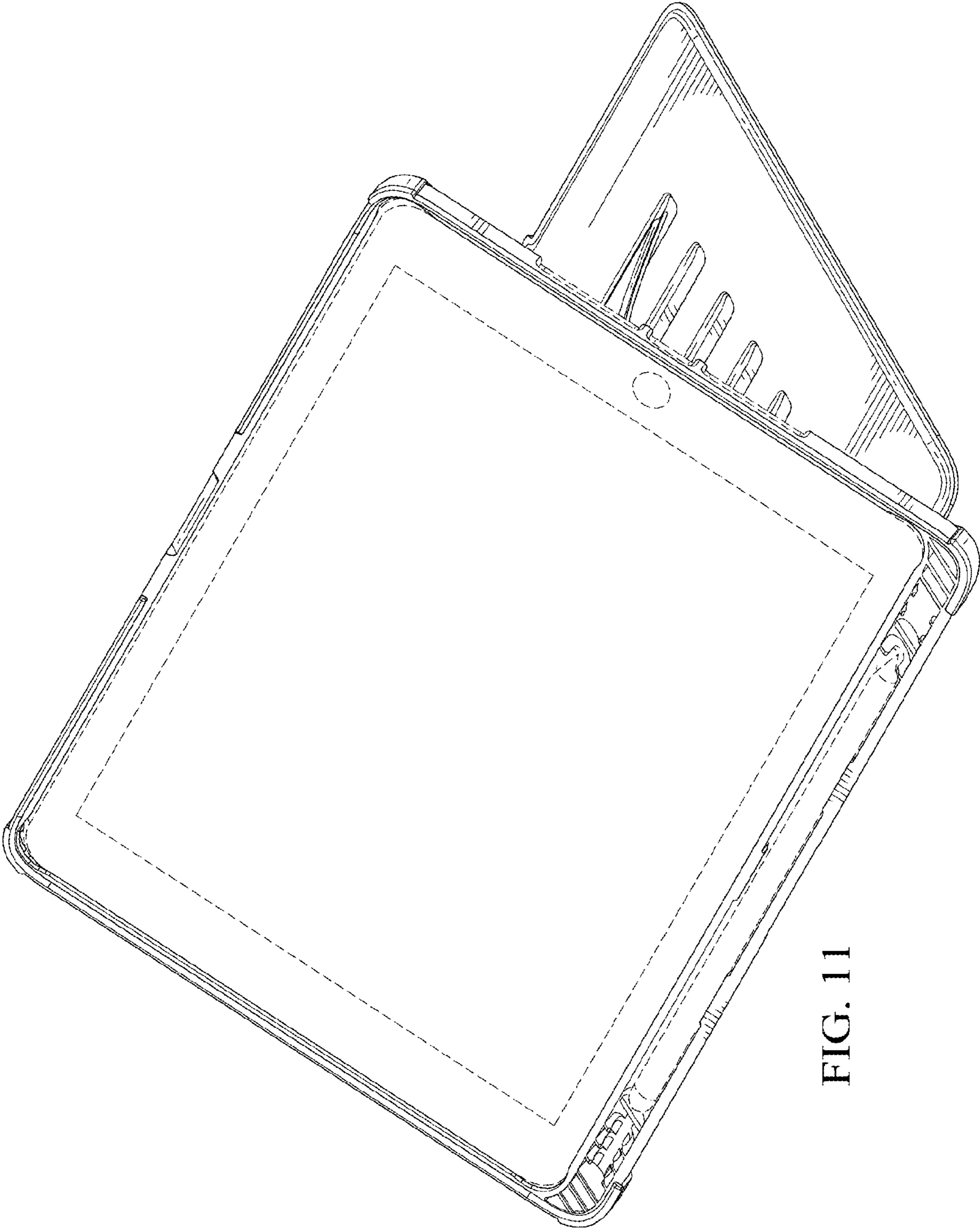


FIG. 11



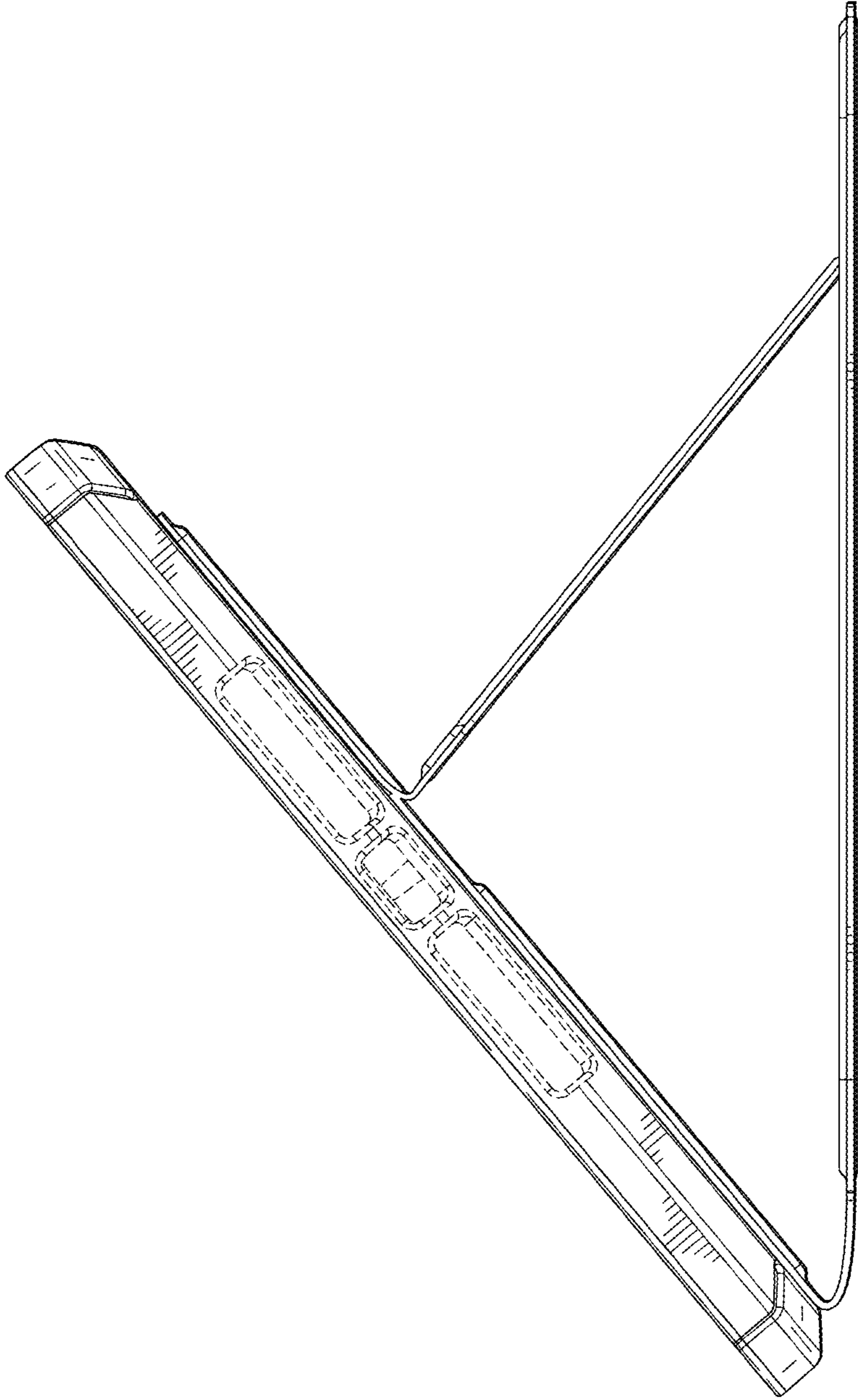


FIG. 12

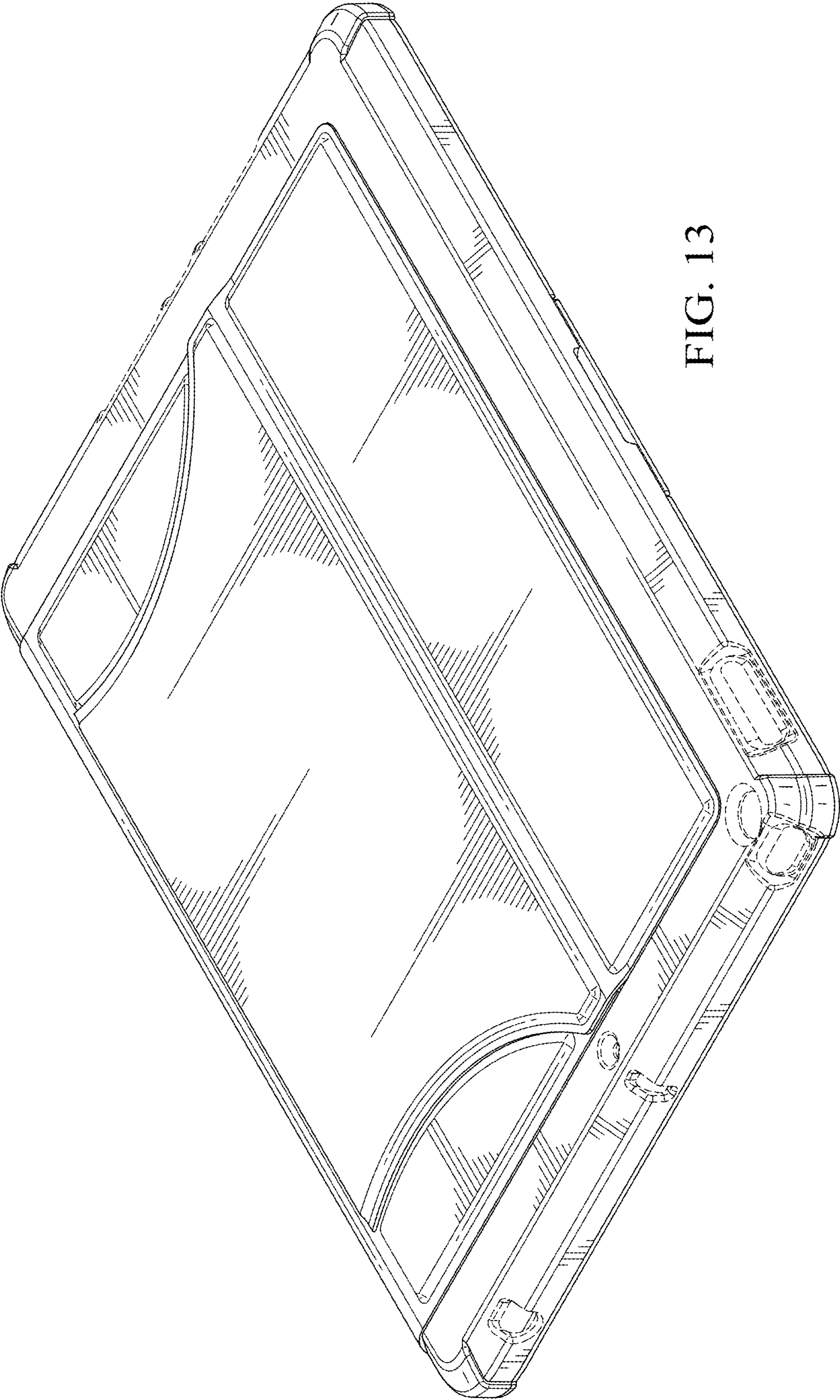


FIG. 13