



US00D940720S

(12) **United States Design Patent**
Gustaveson, II

(10) **Patent No.:** **US D940,720 S**

(45) **Date of Patent:** **** Jan. 11, 2022**

(54) **MIC BLOCK WITH LEASH HOLE**

D342,262 S 12/1993 Hester
D371,508 S 7/1996 Sagol
D390,423 S 2/1998 Stivender
5,801,919 A 9/1998 Griencewic
(Continued)

(71) Applicant: **C-SLIDE HOLDINGS, LLC**, Lehi,
UT (US)

(72) Inventor: **Ronald Glen Gustaveson, II**, Lehi, UT
(US)

(73) Assignee: **C-SLIDE HOLDINGS, LLC**, Lehi,
UT (US)

(**) Term: **15 Years**

(21) Appl. No.: **29/661,940**

(22) Filed: **Aug. 31, 2018**

Related U.S. Application Data

(63) Continuation-in-part of application No. 15/752,652,
filed on Feb. 14, 2018, now Pat. No. 10,374,349.

(51) **LOC (13) Cl.** **14-02**

(52) **U.S. Cl.**
USPC **D14/439**

(58) **Field of Classification Search**

USPC D14/356, 432-434, 453, 454, 511, 203.8,
D14/209.1, 238.1, 240, 125; 439/638,
439/928, 105, 502; 710/303, 304;
361/679.41, 679.55, 679.56; D13/110,
D13/133, 146

CPC ... H04L 12/2832; H04L 12/2838; G06F 3/00;
G06F 5/00; G06F 13/14

See application file for complete search history.

(56) **References Cited**

U.S. PATENT DOCUMENTS

D160,448 S 10/1950 Waite
D189,894 S 3/1961 Lang
D219,714 S 1/1971 Crestin-Billet
D261,236 S * 10/1981 Williams D9/435
D273,227 S 3/1984 Wilkinson et al.
5,057,038 A 10/1991 Bowen et al.

FOREIGN PATENT DOCUMENTS

CN 202587686 U 12/2012

OTHER PUBLICATIONS

Ex Parte Quayle Action for U.S. Appl. No. 29/473,247 dated Aug.
5, 2014.

(Continued)

Primary Examiner — Austin Murphy

(74) *Attorney, Agent, or Firm* — Workman Nydegger

(57) **CLAIM**

The ornamental design for a mic block with leash hole, as
shown and described.

DESCRIPTION

FIG. 1 is a front top right perspective view of the mic block
with leash hole;

FIG. 2 is a rear top left perspective view thereof;

FIG. 3 is a front elevational view thereof;

FIG. 4 is a left elevation view thereof;

FIG. 5 is a right elevation view thereof;

FIG. 6 is a rear elevation view thereof;

FIG. 7 is a top plan view thereof;

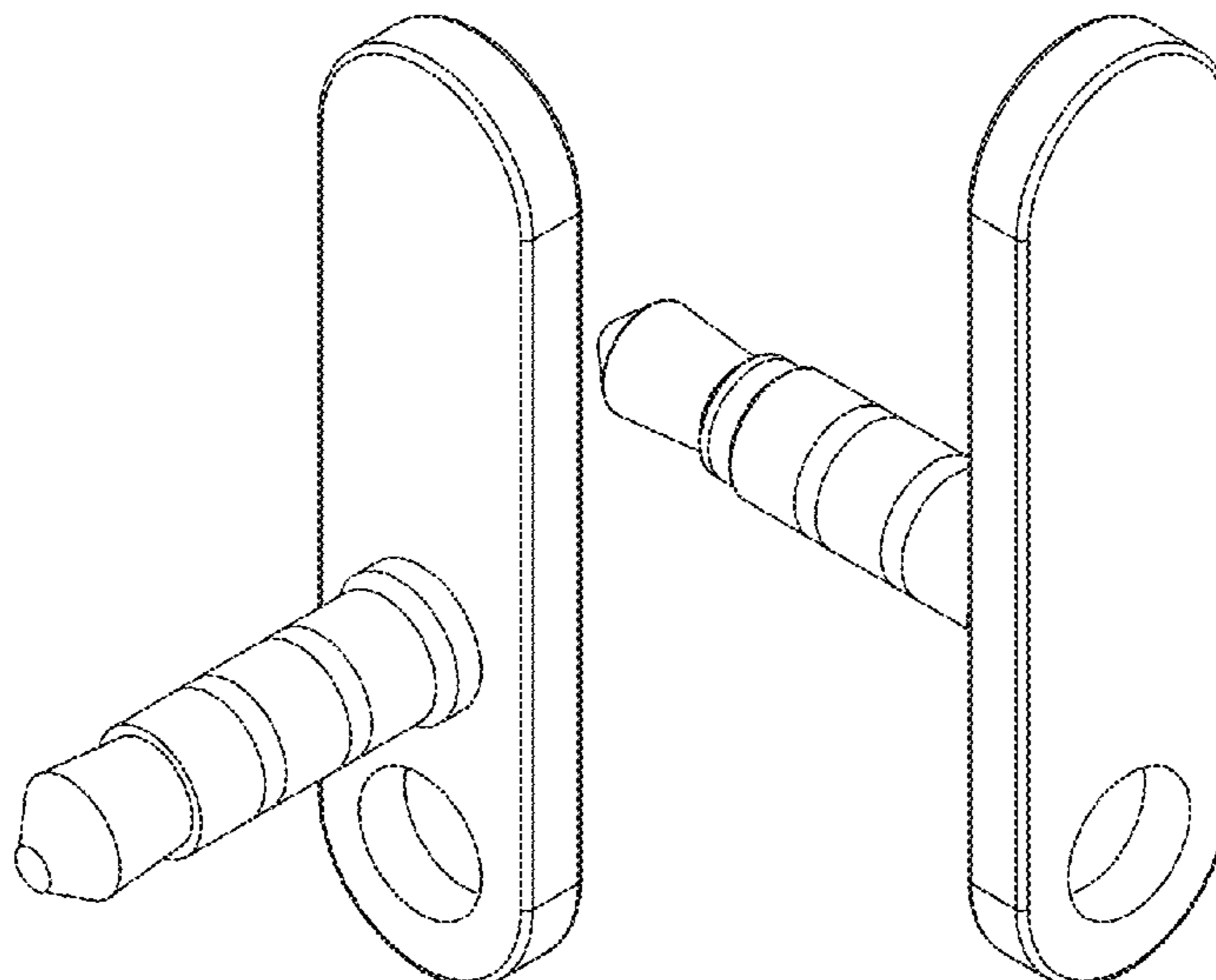
FIG. 8 is a bottom plan view thereof;

FIG. 9 is a rear elevation view of the mic block with leash
hole having a leash threaded therethrough during use; and,

FIG. 10 is a perspective view of the mic block with leash
hole having a leash threaded therethrough during use.

The broken lines shown in the drawings are included to
illustrate environment portions of the mic block with leash
that form no part of the claimed design.

1 Claim, 3 Drawing Sheets



(56)

References Cited

U.S. PATENT DOCUMENTS

D405,050 S 2/1999 Lee
 6,019,521 A 2/2000 Manning et al.
 D425,540 S * 5/2000 Hubbell 396/426
 D435,547 S 12/2000 Reed
 6,224,268 B1 5/2001 Manning
 6,406,313 B1 6/2002 Victor
 D464,329 S * 10/2002 Mainiero D13/169
 D475,348 S 6/2003 D'Addario
 6,572,276 B1 6/2003 Theis
 6,618,259 B1 9/2003 Hood et al.
 D498,787 S 11/2004 Nelms
 6,812,958 B1 11/2004 Silvester
 D501,111 S 1/2005 Lan
 6,994,561 B2 2/2006 Pepe
 7,061,536 B2 6/2006 Cha
 D532,240 S 11/2006 Pressier
 D532,640 S 11/2006 Pressier
 7,239,806 B2 7/2007 Chen
 D550,159 S 9/2007 Kawanobe
 7,431,983 B2 10/2008 Amano
 7,435,018 B2 10/2008 Huang
 7,438,486 B2 10/2008 Ho
 7,520,687 B2 4/2009 Tsai
 D592,596 S 5/2009 Kolton
 7,563,040 B2 7/2009 Tsai
 7,581,893 B2 9/2009 Miramontes
 D611,333 S 3/2010 Sanders
 7,677,815 B2 3/2010 Garcia
 D628,774 S 12/2010 Sykes
 D633,507 S 3/2011 Nelson
 D638,526 S 5/2011 Newman
 7,964,259 B2 6/2011 Koshu
 7,973,856 B2 7/2011 Lee
 D643,457 S 8/2011 DeLong
 D645,022 S 9/2011 Lee
 D650,408 S 12/2011 Kim
 D659,403 S 5/2012 Lerman
 8,242,924 B2 8/2012 Huang
 D669,112 S 10/2012 Gustaveson
 D672,312 S 12/2012 Lee
 8,353,715 B1 1/2013 Zhou
 8,471,956 B2 6/2013 Fortman
 8,496,390 B2 7/2013 Ohuchi
 D702,637 S 4/2014 Rayner
 D703,149 S 4/2014 Lee
 D708,248 S 7/2014 Son
 D708,657 S 7/2014 Gustaveson
 8,780,205 B2 7/2014 Boutell
 D714,220 S 9/2014 Izen
 D714,852 S 10/2014 Levesque
 D718,803 S 12/2014 Smith
 D720,382 S 12/2014 Szarawarski
 D721,396 S 1/2015 Gustaveson
 D726,806 S 4/2015 Demars
 D727,848 S 4/2015 Burgett
 D736,158 S 8/2015 Rayner
 D737,217 S 8/2015 Leidolt
 D740,773 S 10/2015 Bang
 D745,469 S 11/2015 Farnum
 9,197,850 B2 11/2015 Koberling
 D749,555 S 2/2016 Poon
 9,305,538 B2 4/2016 Tyson
 9,307,129 B2 4/2016 Oh
 D755,720 S 5/2016 Dobler
 D756,443 S 5/2016 Ju
 D759,644 S 6/2016 Penn
 D759,645 S 6/2016 Penn
 D760,677 S 7/2016 Tsushima
 D763,843 S 8/2016 Gustaveson
 D764,474 S 8/2016 Penn
 9,411,379 B2 8/2016 Rinner et al.
 9,465,276 B2 10/2016 Jonsson
 D782,562 S 3/2017 Gustaveson
 9,761,998 B2 9/2017 De et al.
 9,829,770 B1 11/2017 Gustaveson

9,854,142 B2 12/2017 Freeze
 D807,947 S 1/2018 Gustaveson
 D808,457 S * 1/2018 Gustaveson, II D16/237
 D810,089 S 2/2018 Kuo
 D810,180 S * 2/2018 Gustaveson, II G03B 11/041
 D16/237
 D816,149 S 4/2018 Dalton
 10,070,021 B1 9/2018 Rolle
 D836,154 S * 12/2018 Gustaveson, II D16/237
 D837,279 S * 1/2019 Penn D16/237
 D839,946 S 2/2019 De Vries
 D849,123 S 5/2019 Gustaveson, II
 D861,696 S * 10/2019 Gustaveson, II G06F 21/85
 D14/439
 2003/0015446 A1 1/2003 Talbot
 2005/0068423 A1 3/2005 Bear et al.
 2007/0025725 A1 2/2007 Yen
 2007/0242948 A1 10/2007 Miramontes
 2008/0041125 A1 2/2008 Poppe
 2008/0100713 A1 5/2008 Liu
 2009/0252487 A1 10/2009 Matsumoto
 2009/0284635 A1 11/2009 Sung
 2010/0102979 A1 4/2010 Huang
 2010/0166414 A1 7/2010 Zhang et al.
 2011/0051335 A1 3/2011 Han
 2011/0058255 A1 3/2011 Weiss
 2011/0115924 A1 5/2011 Yu
 2011/0182029 A1 7/2011 Wu
 2012/0108088 A1 5/2012 Peng et al.
 2012/0229700 A1 9/2012 Hsiung
 2012/0289069 A1 11/2012 Chueh et al.
 2013/0088639 A1 4/2013 Mundt
 2014/0119718 A1 5/2014 Oh
 2014/0130555 A1 5/2014 Clark
 2014/0157839 A1 6/2014 Theobald
 2014/0198439 A1 7/2014 De Pietro
 2014/0220269 A1 8/2014 Ogufere
 2015/0009399 A1 1/2015 Jonsson
 2015/0015777 A1 1/2015 Osbourne
 2015/0059251 A1 3/2015 Rinner
 2015/0163385 A1 6/2015 Haddad
 2015/0229746 A1 8/2015 Bergin
 2015/0311941 A1 10/2015 Sorrentino
 2015/0320167 A1 11/2015 Nguyen
 2016/0049979 A1 2/2016 Grouwstra
 2016/0088264 A1 3/2016 Freeze
 2016/0105598 A1 4/2016 Zeira
 2016/0142594 A1 5/2016 Luttrell
 2016/0161830 A1 6/2016 Gonzalez
 2016/0294118 A1 10/2016 Ahn
 2016/0323491 A1 11/2016 Al Marzouqi
 2017/0146795 A1 5/2017 Pahlitzsch
 2017/0329206 A1 11/2017 Perkey
 2018/0059510 A1 3/2018 Gustaveson
 2018/0123631 A1 5/2018 Hessabi
 2018/0140196 A1 5/2018 Khosravi Simchi

OTHER PUBLICATIONS

Notice of Allowance for U.S. Appl. No. 29/520,343 dated Jun. 29, 2016.
 Notice of Allowance for U.S. Appl. No. 29/548,560 dated Nov. 17, 2016.
 Webcam Cover Black. [online] Published date unknown. Retrieved on Oct. 28, 2016 from <URL:http://thewebcamcovers.com/shop/webcamcover-black/>.
 Restriction Requirement in U.S. Appl. No. 29/564,477 dated May 16, 2017.
 PM: Webcam—Cover des Start-ups Privoo ab Juli im Handel. [online] published date Apr. 24, 2017. Retrieved on Apr. 29, 2017 from <URL:http://unternehmen-heute.de/news.php?newsid=426363>.
 Swivel Webcam Cover silver.[online] published date unknown. Retrieved on Apr. 29, 2017 from ,URL:http://www.intraco.nl/en/verkoop-andere-producten/swivel-webcam-cover-silver/>.
 Early Spyslide 1-Pack Indiegogo Price. [online] published date unknown. Retrieved on Apr. 29, 2017 from <URL:https://spyfy.com/product/spyslide-webcam-cover-1-pack-indiegogo/?lang=en>.

(56)

References Cited

OTHER PUBLICATIONS

Office Action in U.S. Appl. No. 15/433,151 dated Jul. 11, 2017.

Ex Parte Quayle Action for U.S. Appl. No. 29/585,474 mailed on Jul. 13, 2017.

Ex Parte Quayle Action for U.S. Appl. No. 29/567,669 mailed on Jul. 12, 2017.

Webcamcover 2.0 black. [online] Oublished date unknown. Retrieved on Jun. 12, 2017 from <URL:https://thewebcamcovers.com/product/webcamcover-2-0-black/>.

“Screen Cleaner Pad for Mobile Phones AllAccessories”, Publish Date: Sep. 12, 2011, Access Date: Sep. 26, 2017 from <https://www.youtube.com/watch?v=7TFo1-ceBUw>.

“DigiClean Plus Microfiber Screen Cleaners”, Publish Date: Aug. 30, 2011, Access Date: Sep. 26, 2017, from <https://www.youtube.com/watch?v=LWFp8Z-fzA>.

“DigiClean Plus Mobile Phone Screen Cleaner / Wipe Stickers”, Publish Date: Jun. 29, 2012, Access Date: Sep. 26, 2017, from <https://www.youtube.com/watch?v=EHK9UWFUGa0>.

Promotional Peep Black Webcam Cover for Smartphones. Online, published date unknown. Retrieved on Feb. 22, 2018 from URL: http://www.promo-brand.co.uk/products/technology-and-gadgets/computer-accessories/147-Promotional%20Peep%20Black%20Webcam%20Cover/promotional-peep-black-webcam-cover-for-smartphones-tablets-and-law.

Webcam cover—Heart. Online, published date unknown. Retrieved on Feb. 22, 2018 from URL: http://www.colormotion.com.hk/colormotion-household-webcam-covers/1152-webcam-cover-heart.html.

Restriction Requirement for U.S. Appl. No. 29/596,617 dated Apr. 2, 2018.

Non-Final Office Action for U.S. Appl. No. 15/806,033 dated May 15, 2018.

Notice of Allowance for U.S. Appl. No. 29/661,937 dated Nov. 15, 2018.

Notice of Allowance for U.S. Appl. No. 29/612,937 dated Nov. 23, 2018.

Non-Final Office Action for U.S. Appl. No. 29/634,481 dated Nov. 29, 2018.

Delock USB Port Blocker for USB a female/lock & protect any free USB ports. Amazon [online]. Delock [retrieved Apr. 2, 2019] URL: <https://www.amazon.com/Delock-Blocker-female-protect-ports/dp/B018C5E-SCK/ref=sr_1_50?s=electronics&ie=UTF8&qid=1546023019&sr=1-50&keywords=USB+port+lock>.

Entry Level USB Port Lock (Purple): 10 Pack. Amazon [online]. Smart Keeper [retrieved Apr. 2, 2019] URL: <https://www.amazon.com/Entry-Level-Port-Lock-Purple/dp/B07H5T217S/ref=sr_1_4?s=electronics&ie=UTF8&qid=1546024540&sr=1-4&keywords=smart+keeper+usb+por- t+lock>.

Entry Level USB Port Lock Key (Dark Blue). Amazon [online]. Smart Keeper [retrieved Apr. 2, 2019] URL: <https://www.amazon.com/Entry-Level-Port-Lock-Dark/dp/B07H374DDK/ref=sr_1_6?s=electronics&ie=UTF8&qid=1546024540&sr=1-6&keywords=smart+keeper+usb+por- t+lock>.

International Search Report for application PCT/US18/17483 dated Apr. 20, 2018.

Kensington USB Port Lock with Blockers, K67913WW. Amazon [online]. Kensington [retrieved Apr. 2, 2019] URL: <https://www.amazon.com/Kensington-Port-Lock-Blockers-K67913WW/dp/B018-E0L00Q/ref=sr_1_8?s=electronics&ie=UTF8&qid=1546022183&sr=1-8&keywords=port+lock>.

Lindy 10xRJ45 Port Blocker with Key 40470. Amazon [online]. Lindy [retrieved Apr. 2, 2019] URL: <https://www.amazon.com/Lindy-RJ45-Port-Blocker-40470/dp/B00F3VBND4/ref=sr_1_26?s=electronics&ie=UTF8&qid=1546022995&sr=1-26&keywords=USB+port+lock>.

Lindy RJ45 port lock (10 pieces) with key Color: Green. Amazon [online]. LINDY-USA [retrieved Apr. 2, 2019] URL: <https://www.amazon.com/LINDY-RJ45-port-pieces-Color/dp/B00Y35L79Q/ref=sr_1_108?s=electronics&ie=UTF8&qid=1546024209&sr=1-108&keywords=port+loc- k> -.

Lindy USB C 3 Port Lock Kit—4 X Locks with Key 40459. Raru [online]. [retrieved Apr. 2, 2019] URL: <https://raru.co.za/electronics/5789604-lindy-usb-c-3-port-lock-kit-4-x-locks-with-key>-.

Lindy USB Port Blocker—Pack of 4, Blue (40452). Amazon [online]. Lindy [retrieved Apr. 2, 2019] URL: <https://www.amazon.com/Lindy-USB-Port-Blocker-40452/dp/B00012JWJA/ref=sr_1_3?s=electronics&ie=UTF8&qid=1546024367&sr=1-3&keywords=USB+port+lock>.

NTW NL-PBK50-RD Locking RJ45 Port/Dust Blocker with Color Coded Keys. Amazon [online]. NTW [retrieved Apr. 2, 2019] URL: <https://www.amazon.com/NTW-NL-PBK50-RD-Locking-Blocker-Color/dp/B00KO-NIQHC/ref=sr_1_3?s=electronics&ie=UTF8&qid=1546022183&sr=1-3&keywords=port+lock>.

PadJack USB Port Blocker and Lock. Amazon [online], PadJack Inc. [retrieved Apr. 2, 2019] URL: <https://www.amazon.com/PadJack-USB-Port-Blocker-Lock/dp/B01BG9N910/ref=sr_1_21?s=electronics&ie=UTF8&qid=1546022995&sr=1-21&keywords=USB+port+lock>.

Secumate USB Port Locks. SecuPlusShop [online]. [retrieved Apr. 2, 2019] URL: <https://www.secuplus-shop.nl/en/secumate-usb-port-locks.html>-.

USB Port Lock/Blocker. Shopclues [online]. [retrieved Apr. 2, 2019]. URL: <http://shredatta-security-peripherals.shopclues.com/usb-port-lock-blocker.html?>.

Non-Final Office Action for U.S. Appl. No. 29/634,480 dated Jan. 4, 2019.

Non-Final Office Action for U.S. Appl. No. 15/806,033 dated Dec. 4, 2018.

2017 WebCam Shutter Magnet Slider Plastic Camera Cover for Web Laptop iPad PC Mac Tablet Privacy 2pcs in pack. Amazon [online]. WeiYou [retrieved on Mar. 22, 2019] <URL: https://www.amazon.com/WebCam-Shutter-Magnet-Plastic-Privacy/dp/B0783Q9ZJN/ref=sr_1_779?s=pc&ie=UTF8&qid=1545868517&sr=1-779&keywords=webcam+cover>.

Webcam Cover 0.7mm Thin—Magnet Slider Camera Cover—Protects Your Privacy, Stops Webcam Spying, Fits Smartphone Laptops Macbooks PCs Tablets and All-in-one desktops (Silver(2pack)). Amazon [online]. sunshot [retrived Mar. 22, 2019] <URL: https://www.amazon.com/Webcam-Cover-0-7mm-Thin-All/dp/B0749DC118/ref=sr_1_108?s=pc&ie=UTF8&qid=1545866311&sr=1-108&keywords=webcam+cover>.

Webcam Cover—Black Metal Magnet Slider—for Laptops Macbooks PCs Tablets Smartphones TV, for Privacy and Security against Cam Hacks by Unitedtime (Black Metal 2 Pack). Amazon [online]. Unitedtime [retrived Mar. 22, 2019] <URL: https://www.amazon.com/Webcam-Cover-Black-Magnet-Slider/dp/B076KN9W4P/ref=sr_1_66_sspa?s=pc&ie=UTF8&qid=1545866239&sr=1-66-spons&keywords=webcam+cover&psc=1>.

XBERSTAR 3pcs Silver Webcam Camera Protector Cover Slider Shield for Notebook Laptop Tablet iPhone Android Smartphones (Black). Amazon [online]. XYBERSTAR [retrieved on Mar. 22, 2019]<URL: https://www.amazon.com/XBERSTAR-Protector-Notebook-Android-Smartphones/dp/B077PRKM2W/ref=sr_1_41?ie=UTF8&qid=1545969524&sr=8-41&keywords=magnet+webcam+cover>.

Webcam Cover Slide 0.027in Ultra Thin Metal Magnet Web Camera Cover for MacBook Pro Laptops Smartphone Mac PC Tablets for Echo Spot Show Protecting Your Privacy Security Black(3 Packs). Amazon [online]. Cimkiz [retrived on Mar. 22, 2019] <URL: https://www.amazon.com/0-027in-MacBook-Smartphone-Protecting-Security/dp/B077ZT29P2/ref=sr_1_5?s=pc&ie=UTF8&qid=1545865796&sr=1-5&keywords=webcam+cover>.

GURMORE Webcam Cover Slider, 0.027In Ultra Thin Metal Magnet Black Web Camera Cover for Laptops Smartphone MacBook Pro PCs Tablets Protecting Your Privacy and Security Against Cam Hacks. Amazon [online]. GURMORE [retrieved on Mar. 22, 2019] <URL: https://www.amazon.com/GURMORE-Slider%EF%BC%8C0-027In-Smartphone-Protecting-Security/dp/B07B9WJKFN/ref=sr_1_74?s=pc&ie=UTF8&qid=1545866239&sr=1-74&keywords=webcam+cover>.

Webcam Cover, Web Camera Cover Rotate for Laptop Desktop Tablet Smartphone MacBook Pro iMac iPhone Notebook Computer,Protect Your Privacy and Security, Strong 3M Adhesive

(56)

References Cited

OTHER PUBLICATIONS

Webcam Cover (Black). Amazon [online]. AOGE [retrieved on Mar. 22, 2019] <URL: https://www.amazon.com/Smartphone-Notebook-Computer-Security-Adhesive/dp/B07F3Y7R4R/ref=sr_1_100?s=pc&ie=UTF8&qid=1545866311&sr=1-100&keywords=webcam+cover>.

Webcam Cover Slider Slim Thin Laptop Camera Cover Suitable for Mac Desktop iMac iPad iPhone Smartphone Protect Your Privacy Prime. Amazon [online]. MorganProducts [retrieved on Mar. 22, 2019] <URL: https://www.amazon.com/Suitable-Desktop-Smartphone-Protect-Privacy/dp/B07H4LYRZM/ref=sr_1_43?s=pc&ie=UTF8&qid=1545866180&sr=1-43&keywords=webcam+cover>.

“Webcam Cover | Black Slider (1 Pack) Laptop Camera Cover Slide | Protects Computer & Smartphone Camera Against Hackers Swiss Made Webcam Slider | Web Cam Blocker. Amazon [online]. ProTech Privacy [retrieved Mar. 22, 2019] <URL: https://www.amazon.com/Protects-Computer-Smartphone-Against-Webcam/dp/B018N0LCNM/ref=sr_1_1_sspa?ie=UTF8&qid=1545855356&sr=8-1-spons&keywords=twist+webcam+cover&psc=1>”.

Webcam Cover, Amarto 3 pack Web Camera Cover Slide for Laptop, Desktop, PC, Macbook Pro, iMac, Mac Mini, Computer, Smartphone, protecting Privacy and Security, Strong Adhesive (Black). Amazon [online]. Amarto [retrieved on Mar. 22, 2019] <URL: https://www.amazon.com/RECOMMENDED-Macbook-Internet-Security-Privacy/dp/B07BT1HYVP/ref=sr_1_42?s=pc&ie=UTF8&qid=1545866180&sr=1-42&keywords=webcam+cover>.

Webcam Cover by imluckyies, Slide Metal Camera Cover for MacBook Pro, Laptop, Mac, PC, iPhone[2 Pack]. Amazon [online]. imluckyies [retrieved on Mar. 22, 2019] <URL: https://www.amazon.com/Webcam-impluckyies-Camera-MacBook-Laptop/dp/B07C24NBGL/ref=sr_1_150_sspa?s=pc&ie=UTF8&qid=1545867637&sr=1-150-spons&keywords=webcam+cover&psc=1>.

My MIC Audio Blocker—Blocks Audio Hacking on Computers, Tablets and Smart Phones, Easy Carry Key Chain. Amazon [online] MySpyBlocker [retrieved Jun. 12, 2019] <URL: https://www.amazon.com/My-MIC-Audio-Blocker-Computers/dp/B07CZ12WKL/ref=sr_1_4?ie=UTF8&qid=1545861541&sr=8-4&keywords=mic+block>.

Mic-Lock Microphone Blocker (5 Pack)—Signal Blocking Device (3.5mm) for Laptops, Smartphones, Tablets, and Desktop Computers—Data Security, Privacy Protection, Counter Surveillance Equipment. Amazon [online]. Mic-Lock [retrieved Jun. 12, 2019] <URL: https://www.amazon.com/Mic-Lock-Microphone-Blocker-Pack-Surveillance/dp/B076CSLB5H/ref=sr_1_3?ie=UTF8&qid=1545861541&sr=8-3&keywords=mic+block>.

Laptop Camera Cover Protection Webcam Cover Slide+Mic Lock Sound Blocker Anti-Eavesdropping for Laptop Macbook iPad Desktop Computer PC iPhone Cellphone—Protect Your Privacy Security Strong Adhesive. Amazon [online]. Luckyiren [retrieved Jun. 12, 2019] <URL: https://www.amazon.com/Protection-Anti-Eavesdropping-Macbook-Computer-Cellphone-Protect/dp/B07FMMVGGM/ref=sr_1_6?ie=UTF8&qid=1545861541&sr=8-6&keywords=mic+block>.

UKCOCO Mic Audio Blocker, 3 Pack Metal Blocks Audio Hacking on Computers, Tablets and Smart Phones. Amazon [online] UKCOCO

{retrieved Jun. 12, 2019} <URL: https://www.amazon.com/UKCOCO-Blocker-Hacking-Computers-Tablets/dp/B07JZ3JVWY/ref=sr_1_14?ie=UTF8&qid=1545861541&sr=8-14&keywords=mic+block>.

Mic-Lock with SOUNDPASS Microphone Blocker (1 Pack)—Signal Blocking Device 3.5mm for Laptops, Smartphones & Desktop Computers Security, Privacy, Counter-Surveillance—Hear Music No Eavesdropping. Amazon [Online]. Mic Lock [retrieved Jun. 12, 2019] <URL: https://www.amazon.com/Mic-Lock-GEN2-Microphone-Blocker-Pack/dp/B07H4WGLPN/ref=sr_1_19?ie=UTF8&qid=1545861541&sr=8-19&keywords=mic+block>.

Hemoblo 3Pcs MIC Audio Blocker Metal Blocks Audio Hacking on Computers, Tablets and Smart Phones. Amazon [online] Hemoblo [retrieved Jun. 12, 2019] <URL: https://www.amazon.com/Hemoblo-Blocker-Hacking-Computers-Tablets/dp/B07JZ93KN2/ref=sr_1_15?ie=UTF8&qid=1545861541&sr=8-15&keywords=mic+block>.

Sunshot Sound Blocker Anti-eavesdropping | Laptop Webcam Camera Cover Protection for Phone Laptop Tablet | Mic Blocker Lock Your Sound, Webcam cover Stops Webcam Spying(1 Mic Blocker + 2 Webcam cover). Amazon [online] sunshot [retrieved Jun. 12, 2019] <URL: https://www.amazon.com/sunshot-Blocker-Anti-eavesdropping-Laptop-Protection/dp/B07J4YSHK5/ref=sr_1_7?ie=UTF8&qid=1545861541&sr=8-7&keywords=mic%2Bblock&th=1>.

Privise Original Microphone Blocker • Microphone Lock • Protection Against Audio Hacking • Laptop, Tablet, Smartphone • 1pc. Amazon [online] Privise [retrieved Jun. 12, 2019] <URL: https://www.amazon.com/Privise-Original-Microphone-Protection-Smartphone/dp/B07L1QYVYF/ref=sr_1_13?ie=UTF8&qid=1545863297&sr=8-13&keywords=mic+blocker>.

Screen Capture from YouTube video clip entitled “Nope—Sound Blocker and Webcam Cover,” 4 pages, uploaded on Aug. 19, 2017. [retrieved Jun. 12, 2019] <URL: <https://www.youtube.com/watch?v=wNBZIQAHc38>>.

Nope—Webcam Cover + Sound Blocker, [online] Kickstarter [retrieved Jun. 12, 2019] <URL: <https://www.kickstarter.com/projects/bungajungle/nope-sound-blocker-and-webcam-cover>>.

Notice of Allowance for U.S. Appl. No. 29/385,909 dated Aug. 29, 2012.

“<http://webcamcovers.blogspot.com/2012/09/c-slide-webcam-cover-patent-reeives.html> Company Release: Sep. 18, 2012 Retrieved on: Feb. 26, 2014”.

“http://www.amazon.com/Webcam-Cover-Laptops-Pad-Devices/dp/B004ZOXS6/ref=sr_1_2?s=electronics&ie=UTF8&qid=1393520771&sr=1-2&keywords=webcam+covers Available on Amazon beginning May 3, 2011 Retrieved on: Feb. 26, 2014”.

“http://www.ebay.com/itm/Webcam-Cover-also-known-as-webcam-shutter-webcam-shutter-fits-all-laptops-/160917145450#ht_2076wt_1358 On E-Bay beginning Jan. 26, 2012 Retrieved on: Feb. 26, 2014”.

Notice of Allowance for U.S. Appl. No. 29/433,900 dated Mar. 10, 2014.

* cited by examiner

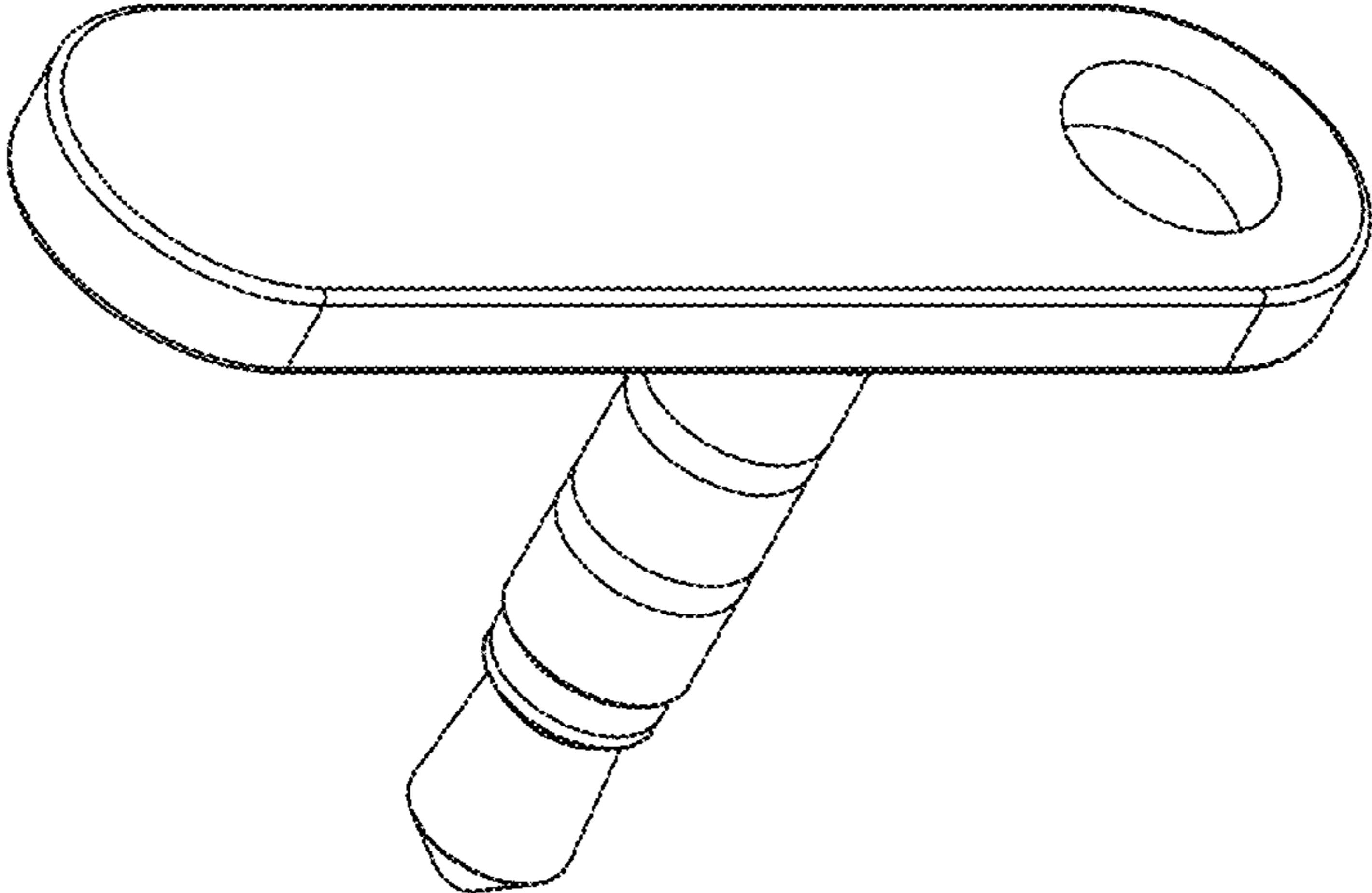


FIG. 2

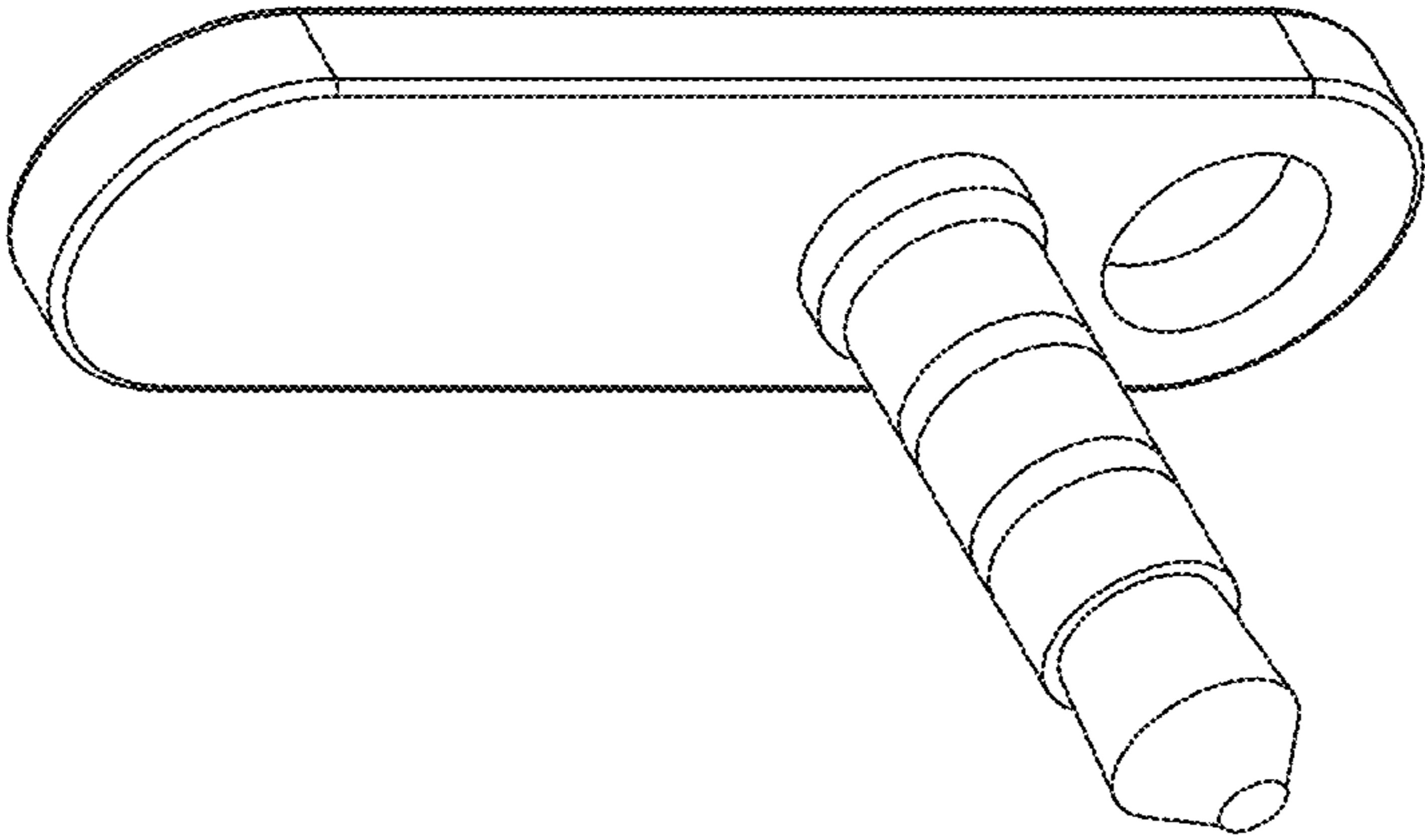


FIG. 1

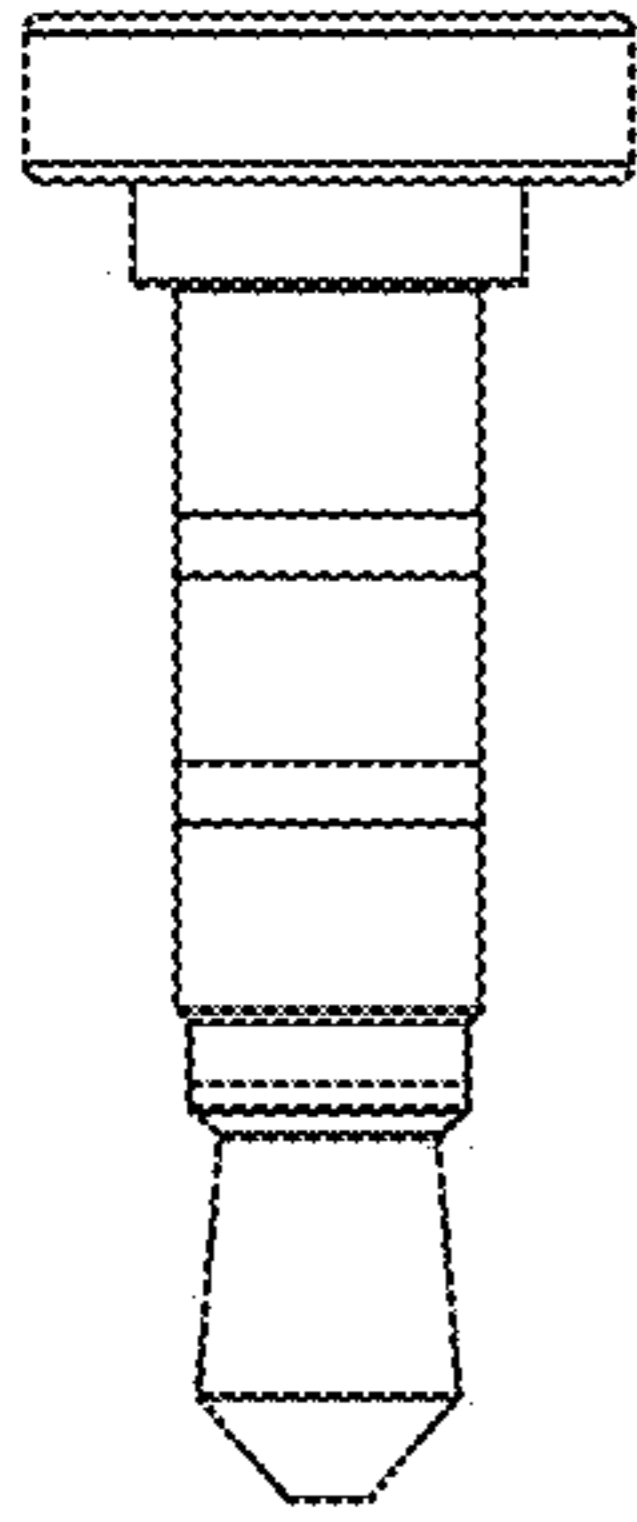


FIG. 7

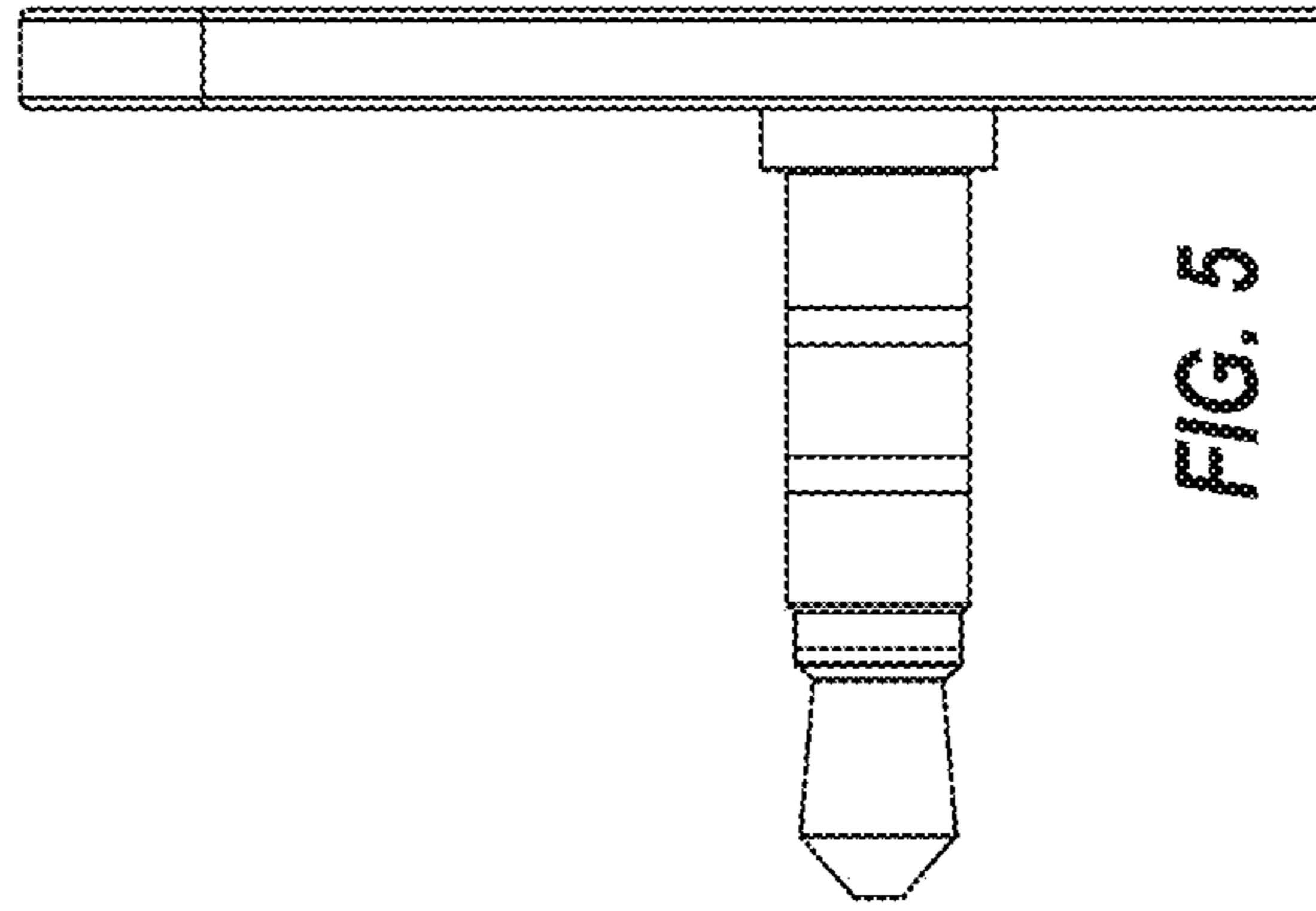


FIG. 5

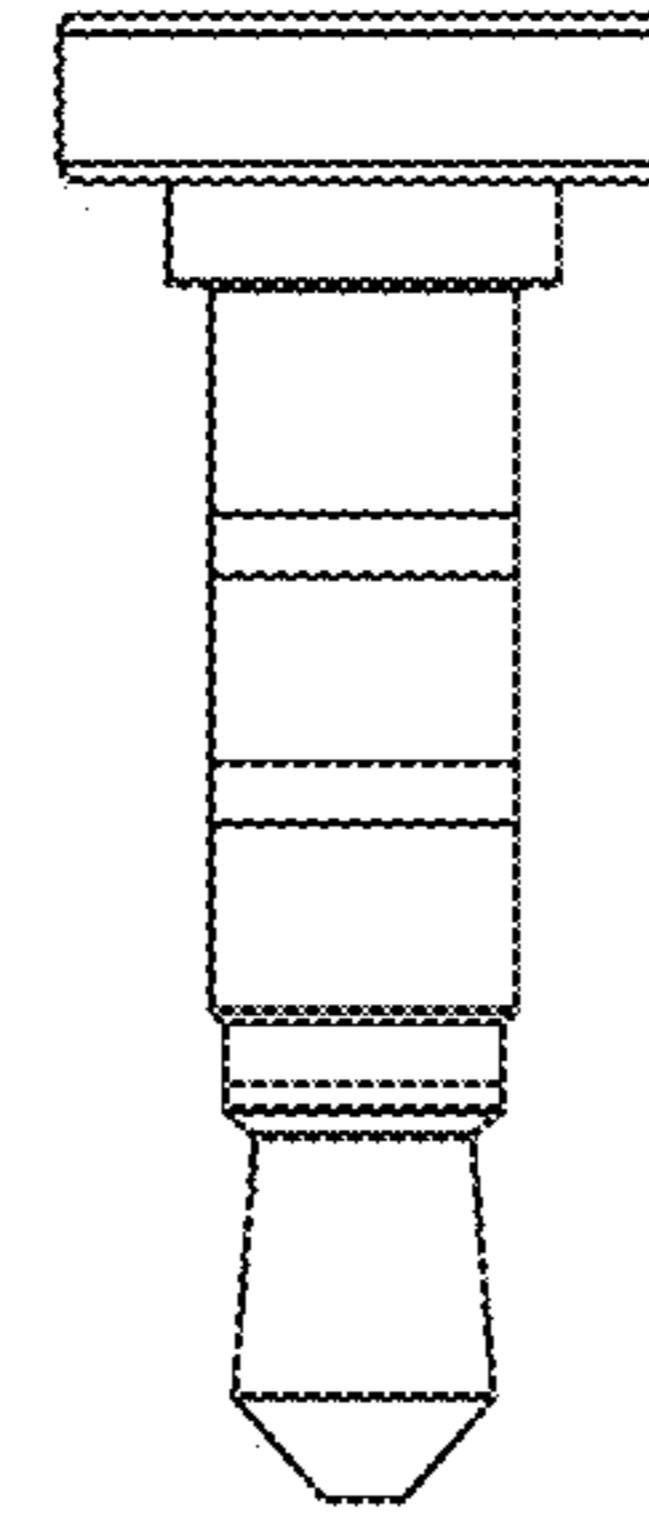


FIG. 8

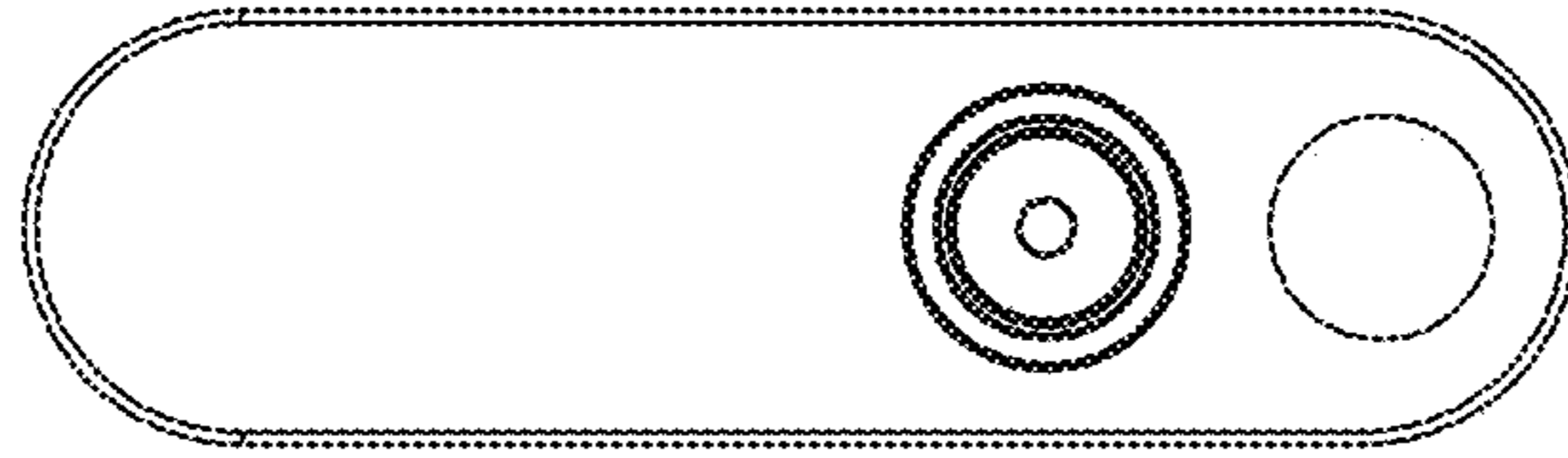


FIG. 3

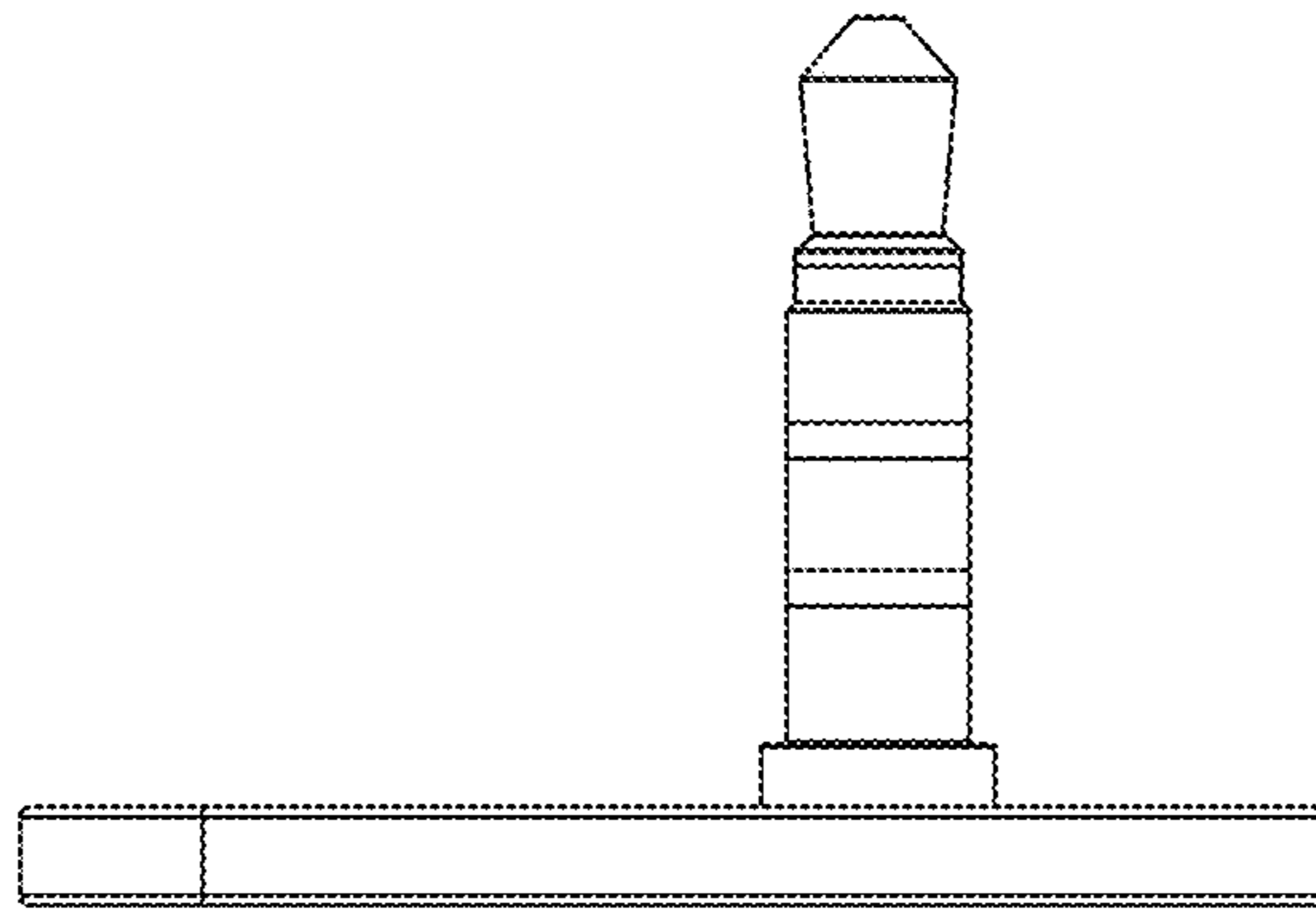


FIG. 4



FIG. 6

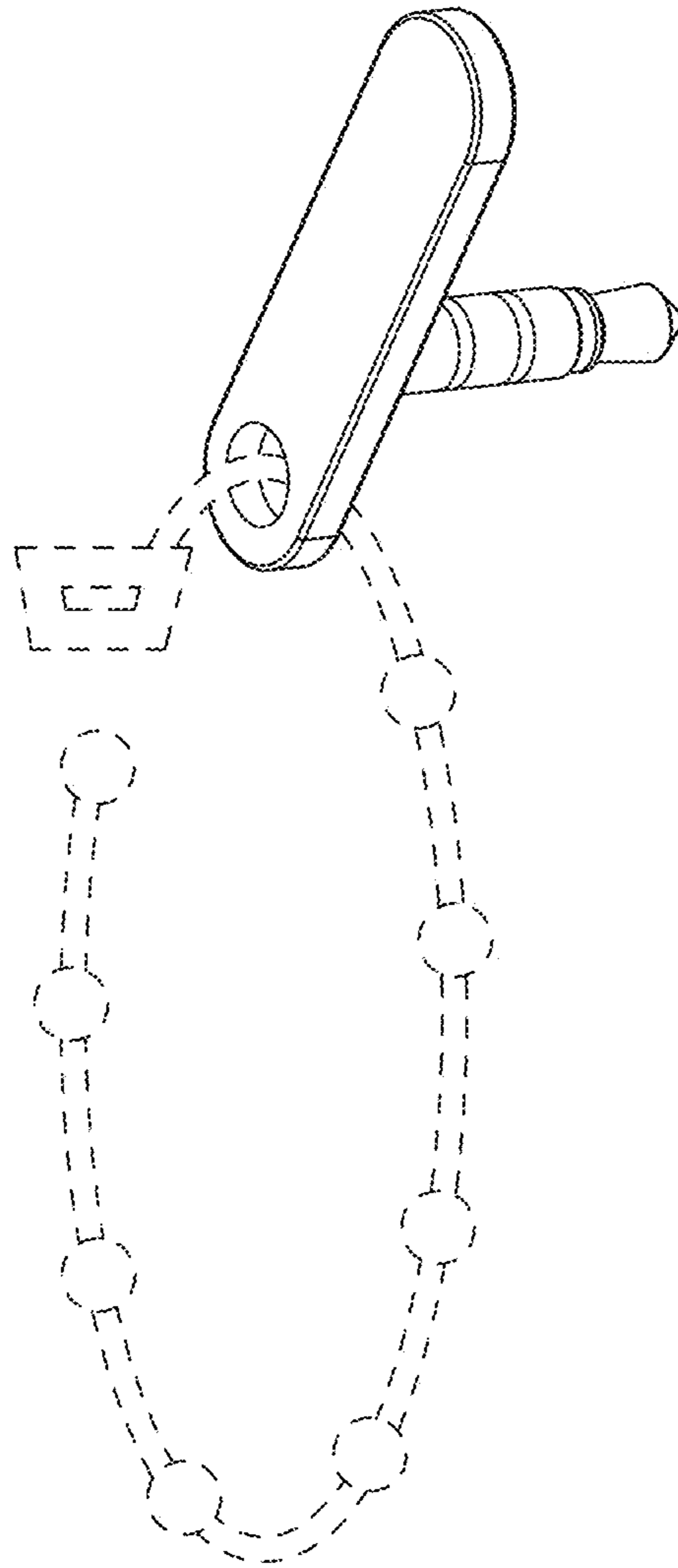


FIG. 10

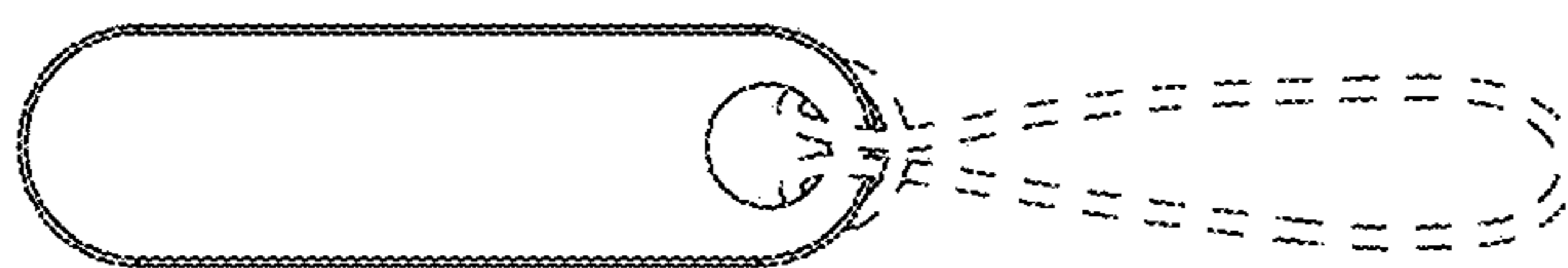


FIG. 9