



US00D940714S

(12) **United States Design Patent**
Zou

(10) **Patent No.:** **US D940,714 S**
(45) **Date of Patent:** **** Jan. 11, 2022**

(54) **DISK NIB FOR TOUCH PEN**

(71) Applicant: **Xi Zou**, Yueyang (CN)

(72) Inventor: **Xi Zou**, Yueyang (CN)

(**) Term: **15 Years**

(21) Appl. No.: **29/747,867**

(22) Filed: **Aug. 26, 2020**

(51) **LOC (13) Cl.** **14-02**

(52) **U.S. Cl.**
USPC **D14/411**

(58) **Field of Classification Search**
USPC D14/372, 496, 432, 371, 125, 126, 129,
D14/299, 411; D16/300-342; 351/158,
351/153, 144; 345/7-9, 905; 455/344;
348/115, 53, 121, 739
CPC G02B 27/017; G06F 3/016; G06F 3/033;
G06F 3/0317; G06F 3/03545; G06F
3/041; G06K 9/222
See application file for complete search history.

(56) **References Cited**

U.S. PATENT DOCUMENTS

D487,746 S * 3/2004 Fitch D14/411
8,368,670 B2 * 2/2013 Liang G06F 3/0393
345/179

D717,302 S * 11/2014 DeSerio D14/411
D744,486 S * 12/2015 Arai D14/411
9,298,285 B2 * 3/2016 Mohindra G06F 3/0418
D772,876 S * 11/2016 Akana D14/411
D788,109 S * 5/2017 Kuan-her D14/411
D826,230 S * 8/2018 Peterson D14/411
D826,231 S * 8/2018 Akana D14/411
D851,087 S * 6/2019 Nishizawa D14/411
D854,014 S * 7/2019 Akana D14/411
D862,726 S * 10/2019 Mehregany D24/224
D897,341 S * 9/2020 Kamiyama D14/411

* cited by examiner

Primary Examiner — Austin Murphy

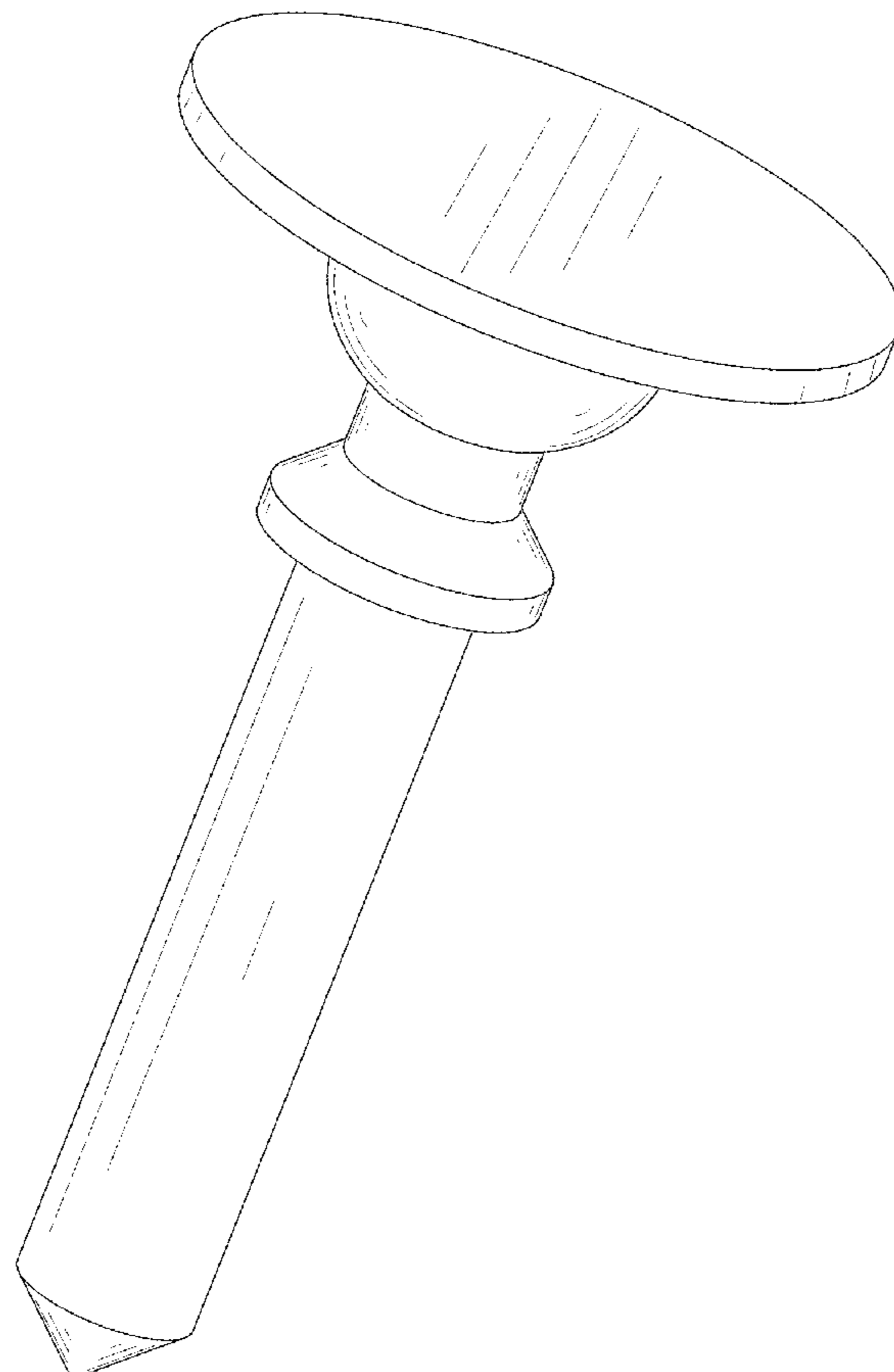
(57) **CLAIM**

The ornamental design for a disk nib for touch pen, as shown and described.

DESCRIPTION

FIG. 1 is a first perspective view of a disk nib for touch pen showing my new design;
FIG. 2 is a second perspective view thereof;
FIG. 3 is a front view thereof;
FIG. 4 is a back view thereof;
FIG. 5 is a left side view thereof;
FIG. 6 is a right side view thereof;
FIG. 7 is a top view thereof; and,
FIG. 8 is a bottom view thereof.

1 Claim, 8 Drawing Sheets



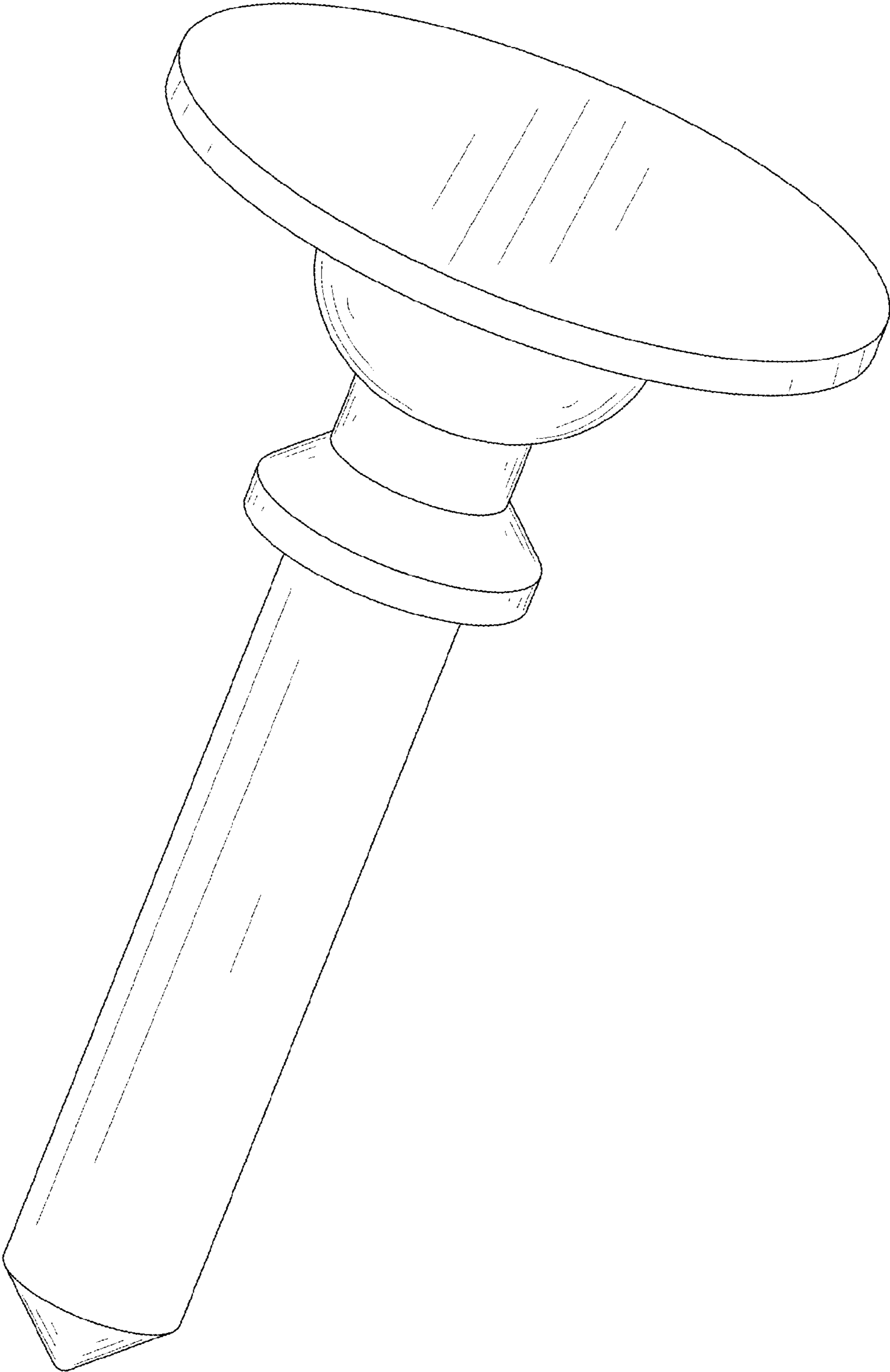


FIG. 1

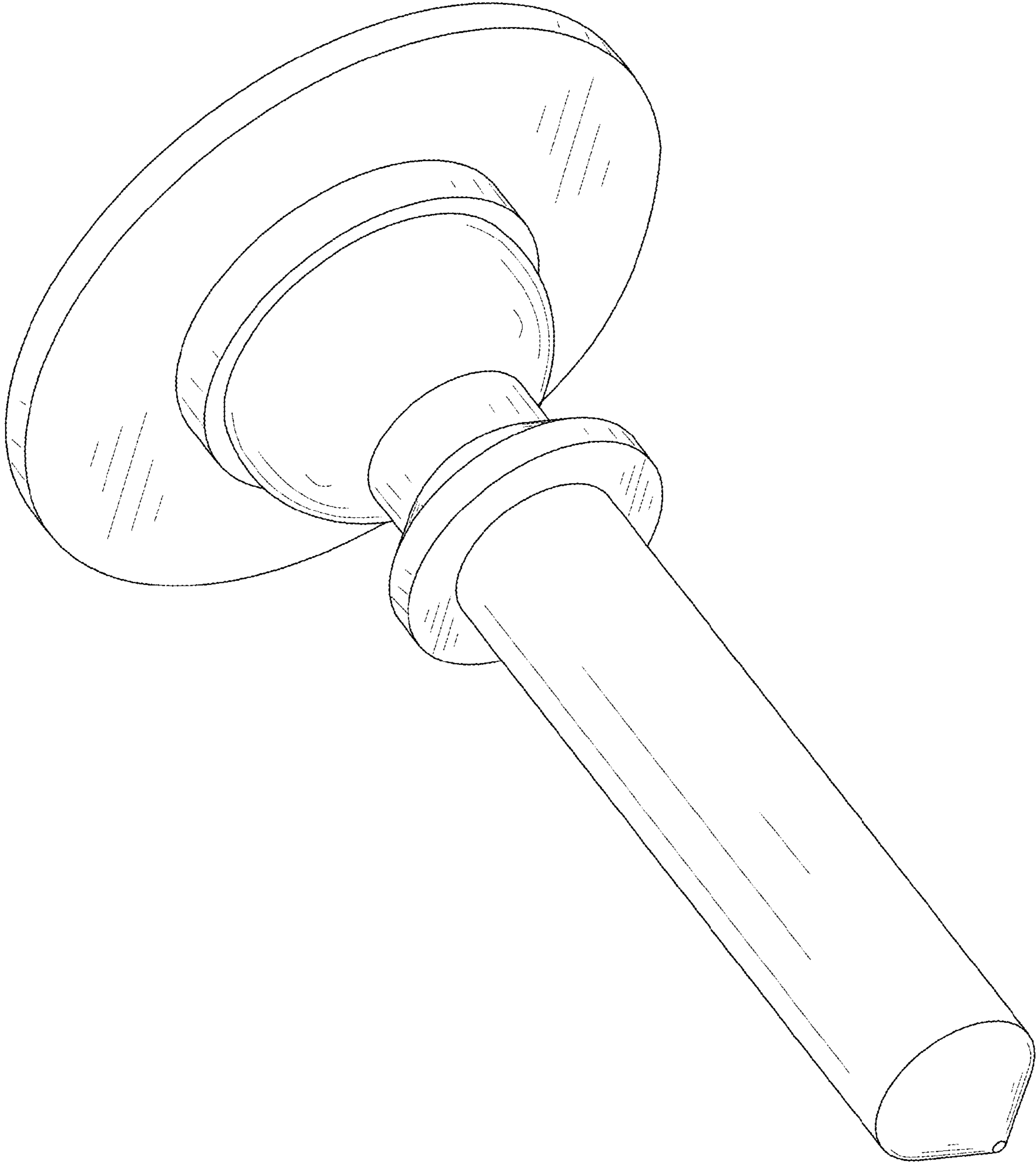


FIG. 2

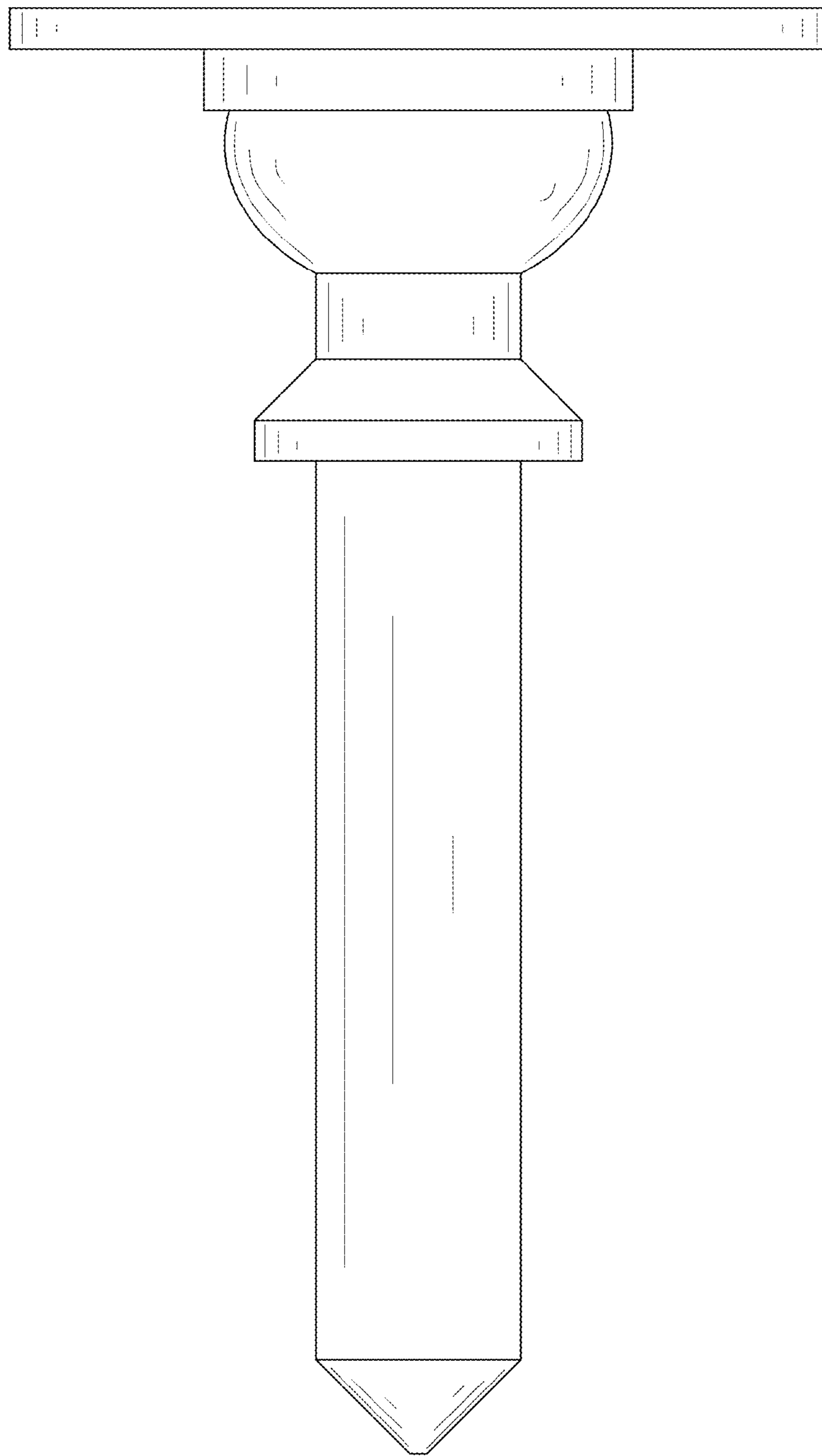


FIG. 3

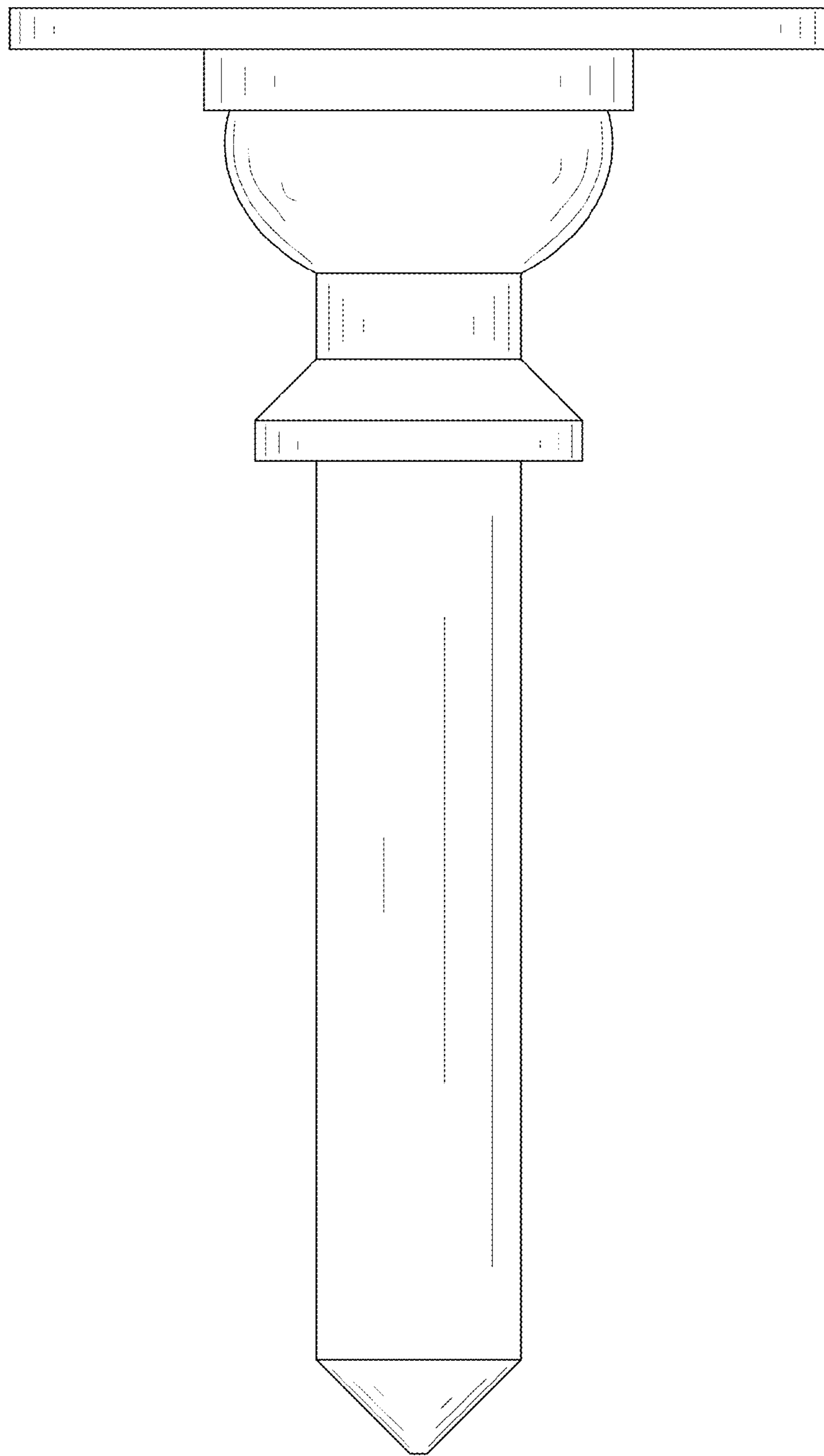


FIG. 4

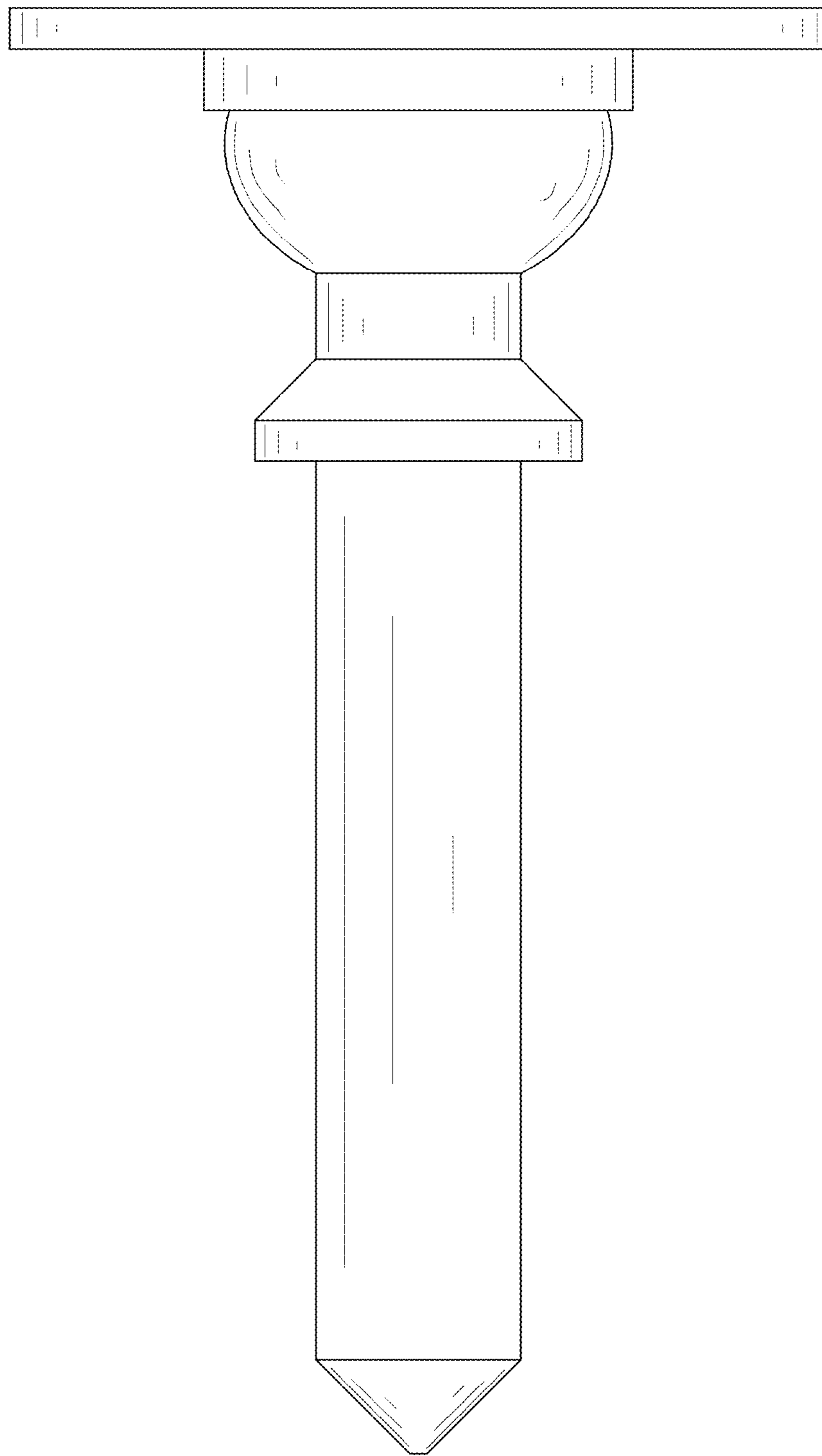


FIG. 5

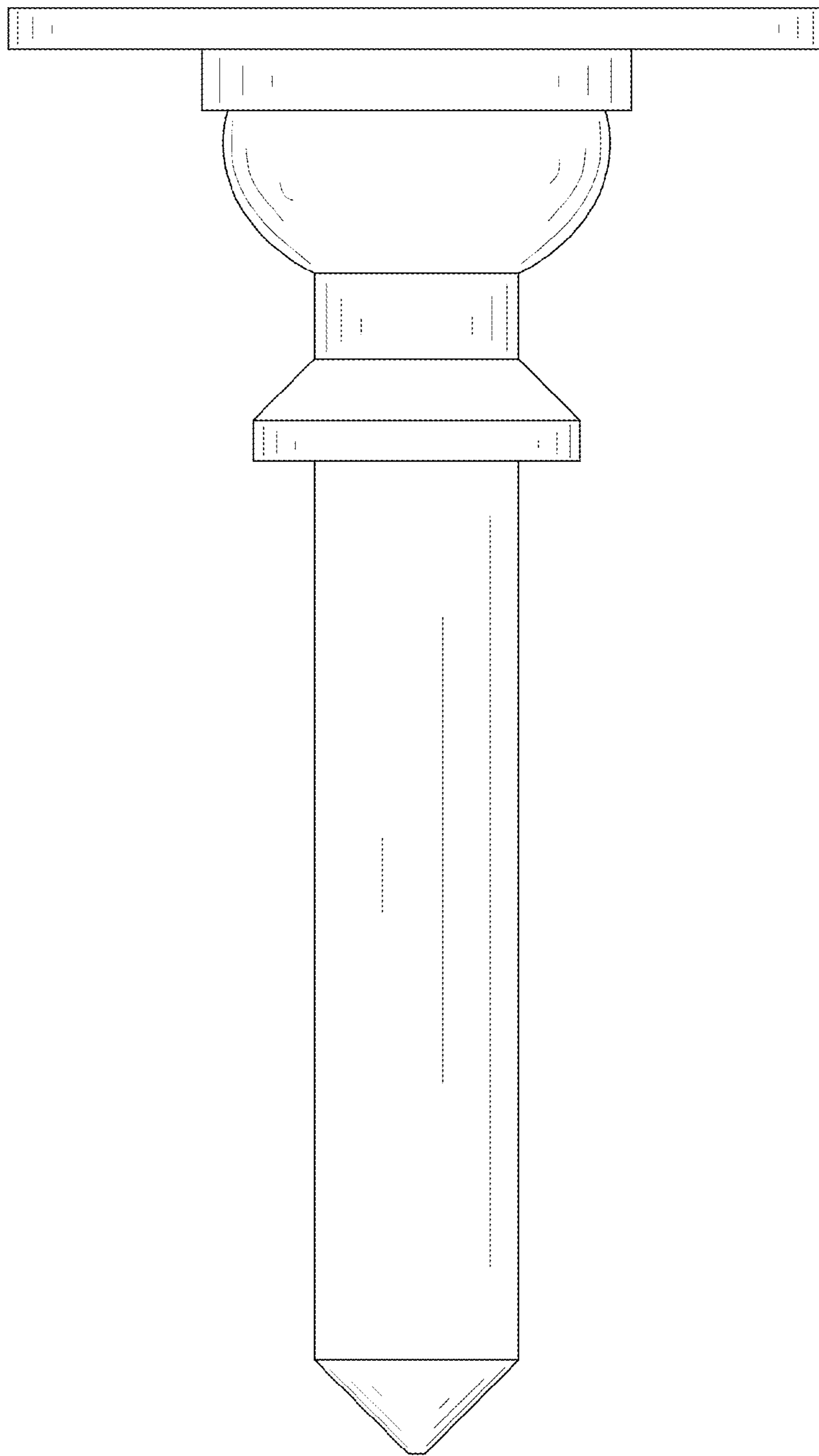


FIG. 6

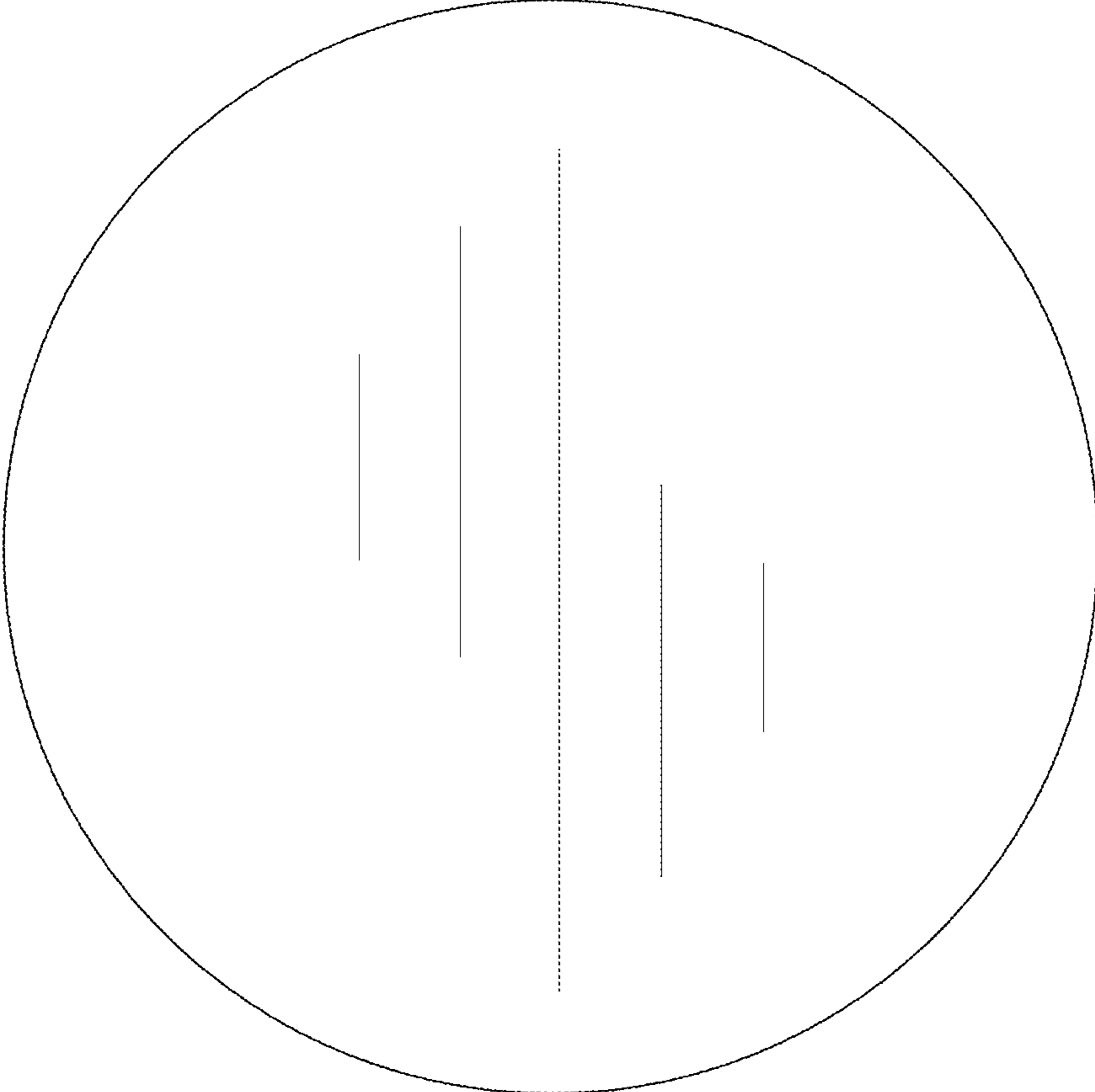


FIG. 7

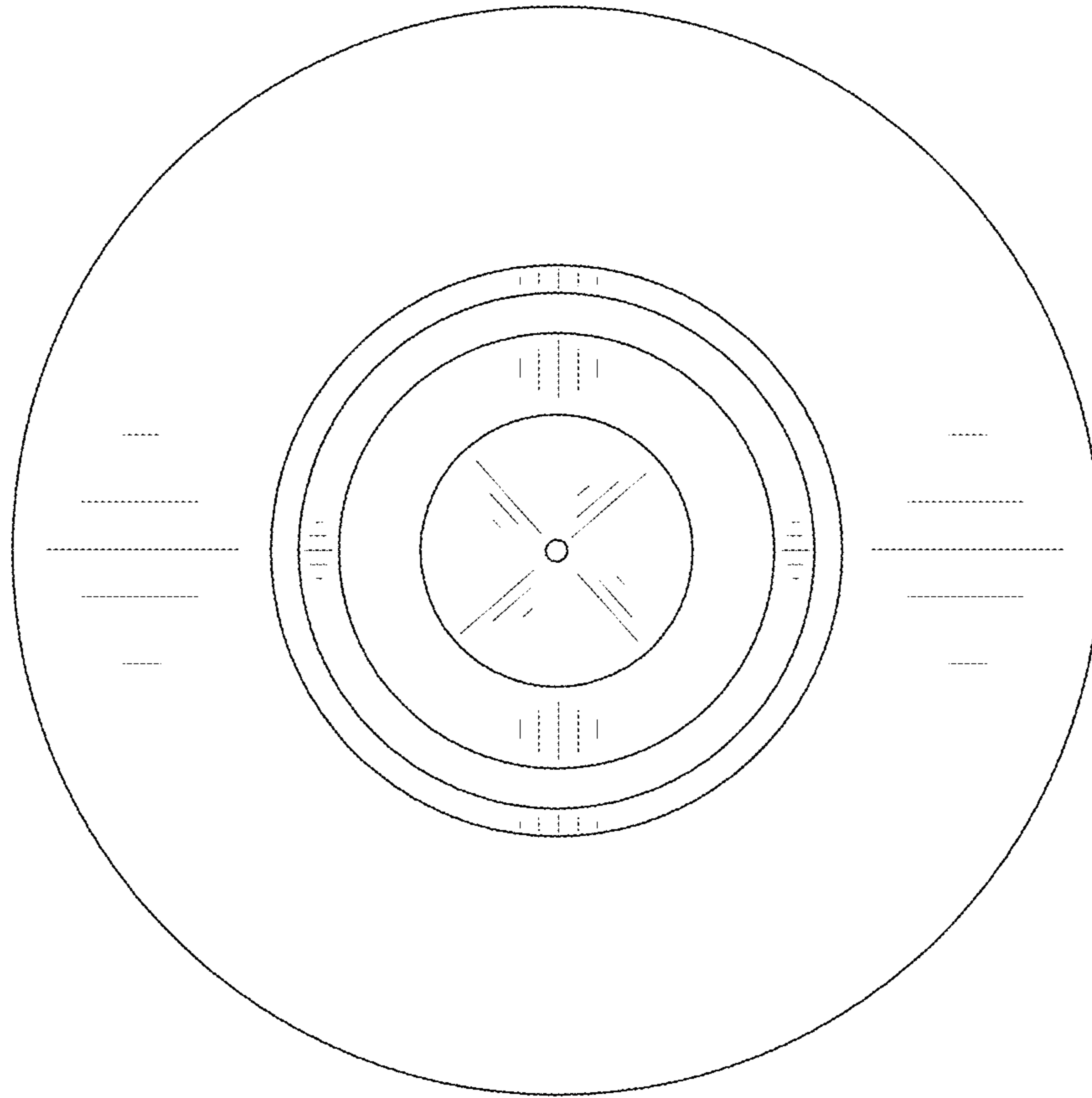


FIG. 8