



US00D940713S

(12) **United States Design Patent** (10) **Patent No.:** **US D940,713 S**
Osaki et al. (45) **Date of Patent:** **** Jan. 11, 2022**

(54) **KEYBOARD** 7,171,498 B2 * 1/2007 Tu G06F 3/0236
710/73
(71) Applicant: **Microsoft Corporation**, Redmond, WA (US) D540,807 S 4/2007 DeMaio et al.
D546,828 S 7/2007 O'Neil et al.
(Continued)

(72) Inventors: **Go Osaki**, Shenzhen (CN); **Min Fang**, Shenzhen (CN); **Simon Cameron Dearsley**, Bellevue, WA (US)

FOREIGN PATENT DOCUMENTS

CN 301867381 * 3/2012
CN 304437903 * 1/2018
CN 305472440 * 12/2019

(73) Assignee: **Microsoft Corporation**, Redmond, WA (US)

OTHER PUBLICATIONS

(**) Term: **15 Years**

Bluetooth Keyboard, Microsoft, Microsoft.com, author unlisted, published on Oct. 20, 2019 per wayback machine © 2021 Microsoft, online, site visited Mar. 11, 2021. Available at URL: <https://www.microsoft.com/en-us/p/microsoft-bluetooth-keyboard/919v6qb80zg3?activetab=pivot:overviewtab> (Year: 2019).*

(21) Appl. No.: **29/704,823**

(22) Filed: **Sep. 6, 2019**

(51) **LOC (13) Cl.** **14-02**

(52) **U.S. Cl.**
USPC **D14/392**

(58) **Field of Classification Search**
USPC D14/247, 315-327, 331-333, 338, D14/345-347, 387, 390-401, 406, 429, D14/447, 455-457, 459-461; D18/1-2, D18/4.1-4.6, 7, 11, 12.2, 52; D21/324, D21/409
CPC B41J 5/00; B41J 5/10; B41J 5/12; G06F 3/021; G06F 3/0216; G06F 3/0219; G06F 3/02

See application file for complete search history.

(Continued)

Primary Examiner — Holly E Thurman
Assistant Examiner — Altaira J Swangin
(74) *Attorney, Agent, or Firm* — Banner & Witcoff, Ltd.

(57) **CLAIM**

The ornamental design for a keyboard, as shown and described.

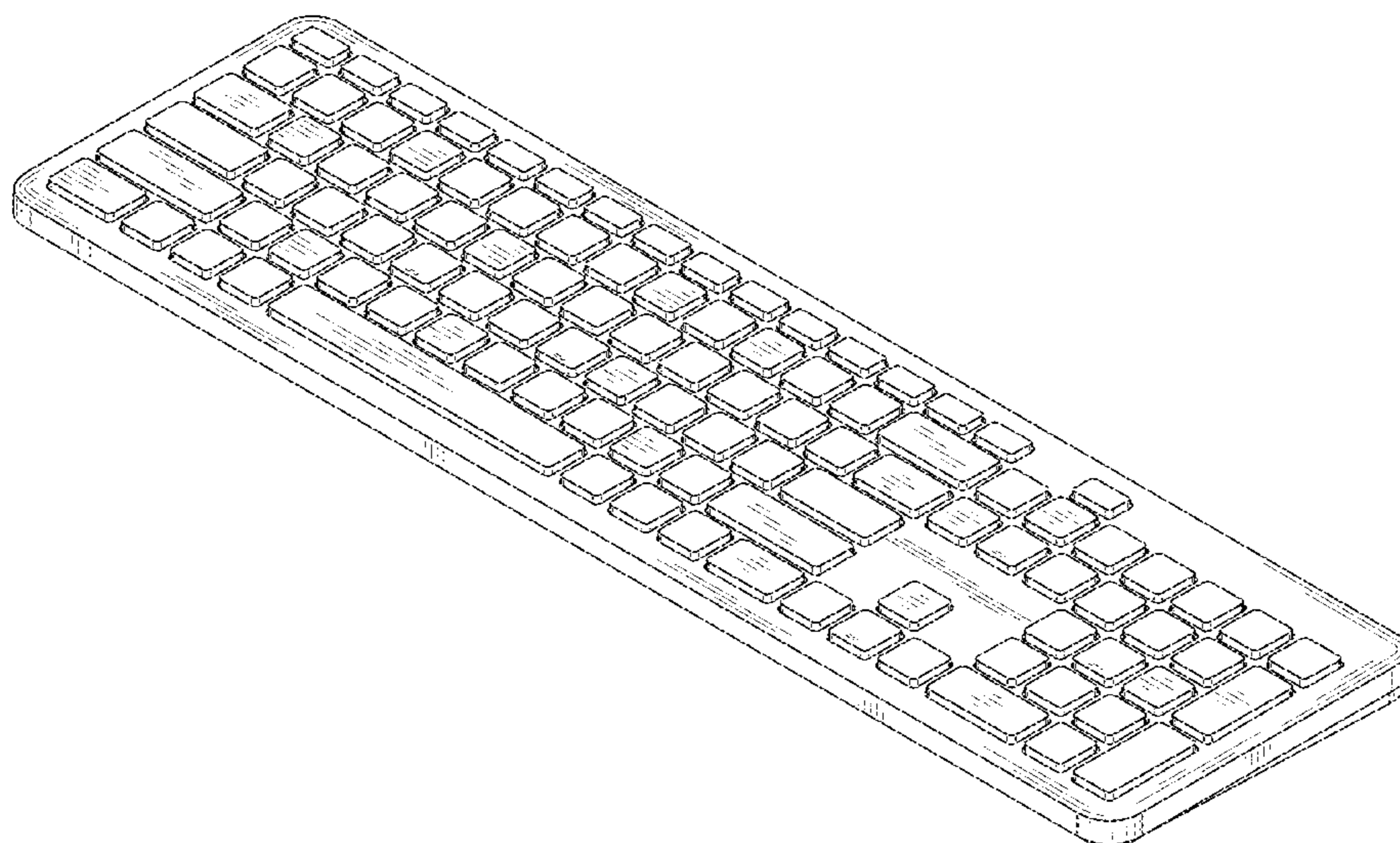
DESCRIPTION

FIG. 1 is a top front perspective view of a keyboard showing our new design;
FIG. 2 is a front view thereof;
FIG. 3 is a rear view thereof;
FIG. 4 is a right side view thereof;
FIG. 5 is a left side view thereof;
FIG. 6 is a top view thereof;
FIG. 7 is a bottom view thereof; and,
FIG. 8 is a bottom rear perspective view thereof.
The broken lines in the drawings depict portions of the keyboard that form no part of the claimed design.

(56) **References Cited**
U.S. PATENT DOCUMENTS

D330,199 S * 10/1992 Mendel D14/396
D443,615 S * 6/2001 Kirchner D14/396
D450,056 S 11/2001 Ledbetter et al.
D451,516 S 12/2001 Hayes
D468,320 S 1/2003 Jones et al.
D471,196 S * 3/2003 Goto D14/392
D481,731 S * 11/2003 Goto D14/392
D482,362 S * 11/2003 Goto D14/392
D497,913 S 11/2004 Jones et al.

1 Claim, 6 Drawing Sheets



(56)

References Cited

U.S. PATENT DOCUMENTS

D546,829 S 7/2007 O'Neil et al.
 D546,831 S 7/2007 O'Neil et al.
 D547,759 S 7/2007 DeMaio et al.
 D551,229 S 9/2007 DeMaio et al.
 D554,121 S 10/2007 Fisher et al.
 D590,397 S 4/2009 O'Neill et al.
 D597,544 S 8/2009 Chatterjee et al.
 D598,918 S 8/2009 Kim et al.
 D599,350 S 9/2009 O'Neil et al.
 D601,563 S 10/2009 Kujawski
 D601,568 S 10/2009 Kujawski
 D604,736 S * 11/2009 Andre D14/392
 D606,073 S 12/2009 O'Neil et al.
 D619,577 S 7/2010 Kujawski
 D626,127 S 10/2010 Odell et al.
 D629,403 S 12/2010 Raken et al.
 D633,497 S 3/2011 Reed et al.
 D695,292 S * 12/2013 Dumont D14/392
 D695,293 S * 12/2013 Dumont D14/392
 D721,365 S 1/2015 Kim et al.
 D721,366 S 1/2015 Kim et al.
 D721,367 S 1/2015 Kim et al.
 D721,368 S 1/2015 Kim et al.
 D721,369 S 1/2015 Kim et al.
 8,941,991 B2 * 1/2015 Guo G06F 1/1667
 361/679.59
 D724,589 S * 3/2015 Ozolins D14/392
 D735,719 S * 8/2015 Ozolins D14/392
 D735,720 S * 8/2015 Ozolins D14/392
 D748,633 S 2/2016 Yang et al.
 D760,226 S 6/2016 Bailey et al.
 D773,472 S 12/2016 Bailey et al.
 D779,488 S 2/2017 Chen et al.
 D790,544 S 6/2017 Chen et al.
 D794,023 S * 8/2017 Morgan D14/392
 D798,299 S * 9/2017 Raken D14/392
 D879,097 S * 3/2020 Chan D14/392
 D882,571 S * 4/2020 Tong D14/392
 D909,373 S * 2/2021 Chan D14/392
 D909,374 S * 2/2021 Chan D14/392

2002/0051957 A1* 5/2002 Schwarzkopf G09B 13/04
 434/227
 2007/0291443 A1* 12/2007 Cheng G06F 3/0202
 361/679.08
 2011/0122066 A1* 5/2011 Liu G06F 3/0202
 345/168
 2011/0140934 A1* 6/2011 Ho G06F 3/0202
 341/22
 2011/0274475 A1* 11/2011 Hung G06F 3/0224
 400/484
 2012/0039650 A1* 2/2012 Cvek G06F 3/021
 400/472
 2012/0250328 A1* 10/2012 Huang H01H 13/83
 362/280
 2013/0181906 A1* 7/2013 Guo G06F 3/0208
 345/169
 2020/0150777 A1* 5/2020 Lin H01H 13/85
 2021/0018988 A1* 1/2021 Crawford G06F 3/04886

OTHER PUBLICATIONS

90XB0430 BKM0U0 W5000 Wireless Keyboard, Asus, amazon.de, published by Asus, first available on Jun. 13, 2018 © 1996-2021, Amazon.com, Inc., online, site visited Mar. 11, 2021. Available at URL: <https://www.amazon.de/-/en/90XB0430-BKM0U0-W5000-Wireless-Keyboard-Mouse-German-Layout/dp/B07DVG12QJ> (Year: 2018).*

AK3.3 Wireless Keyboard, Ajazz, vk.com, author unlisted, published on Nov. 20, 2018 © not listed, online, site visited Mar. 11, 2021. Available at URL: <https://vk.com/@mysku.reviews-ultratonkaya-blutuz-klaviatura-ajazz-ak33-106-klavish-v-alum> (Year: 2018).*

“Office Action Issued in Indian Patent Application No. 327545-001”, dated Mar. 18, 2020, 2 Pages.

“Office Action Issued in Indian Patent Application No. 327547-001”, dated Mar. 20, 2020, 2 Pages.

“Office Action Issued in Indian Patent Application No. 327544-001”, dated Apr. 30, 2020, 2 Pages.

* cited by examiner

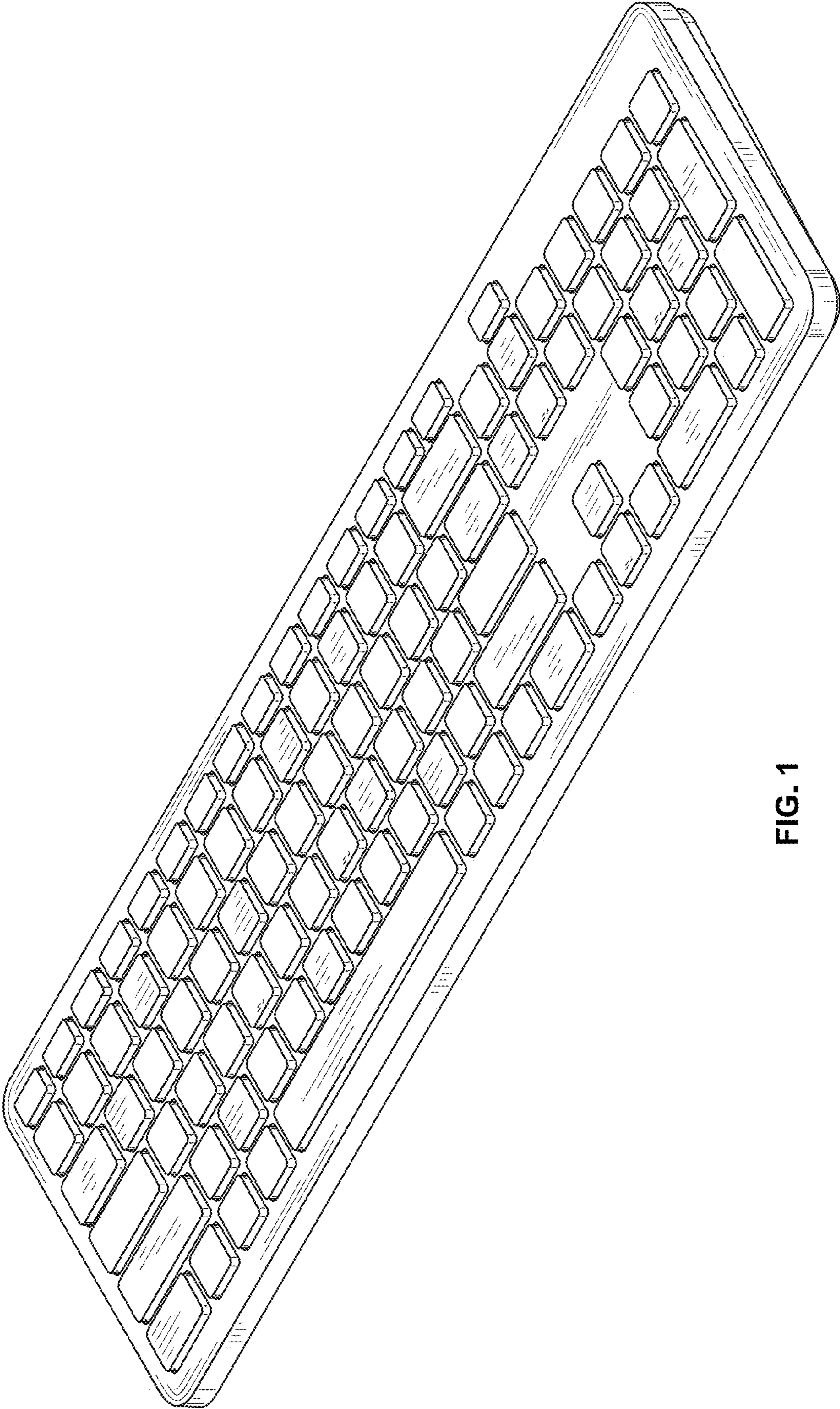


FIG. 1

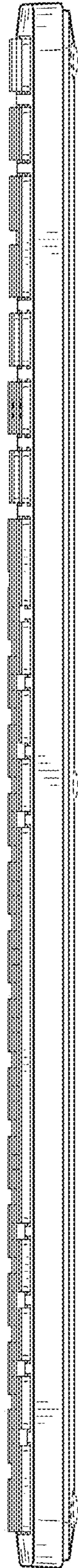


FIG. 2

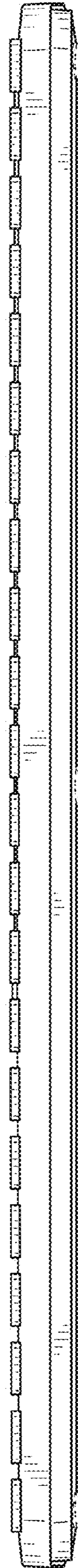


FIG. 3

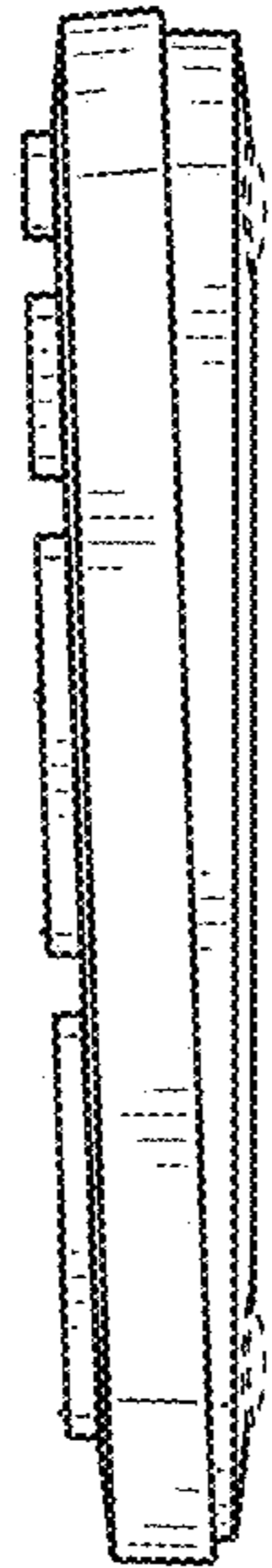


FIG. 4

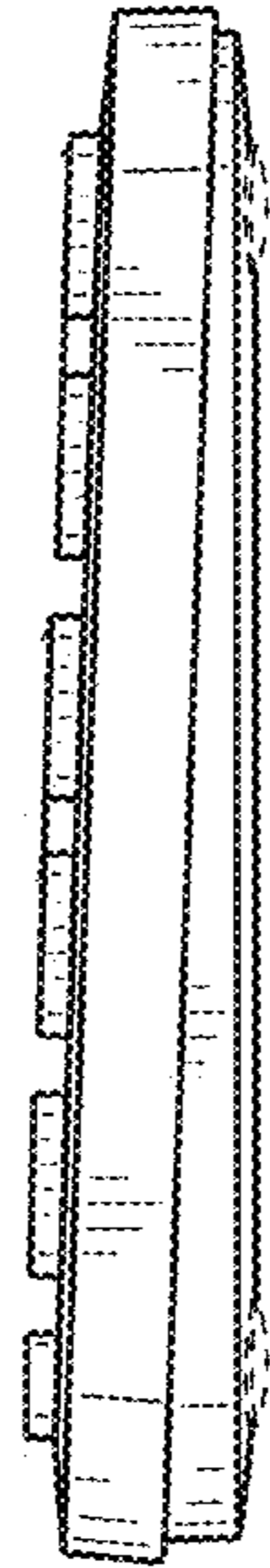


FIG. 5

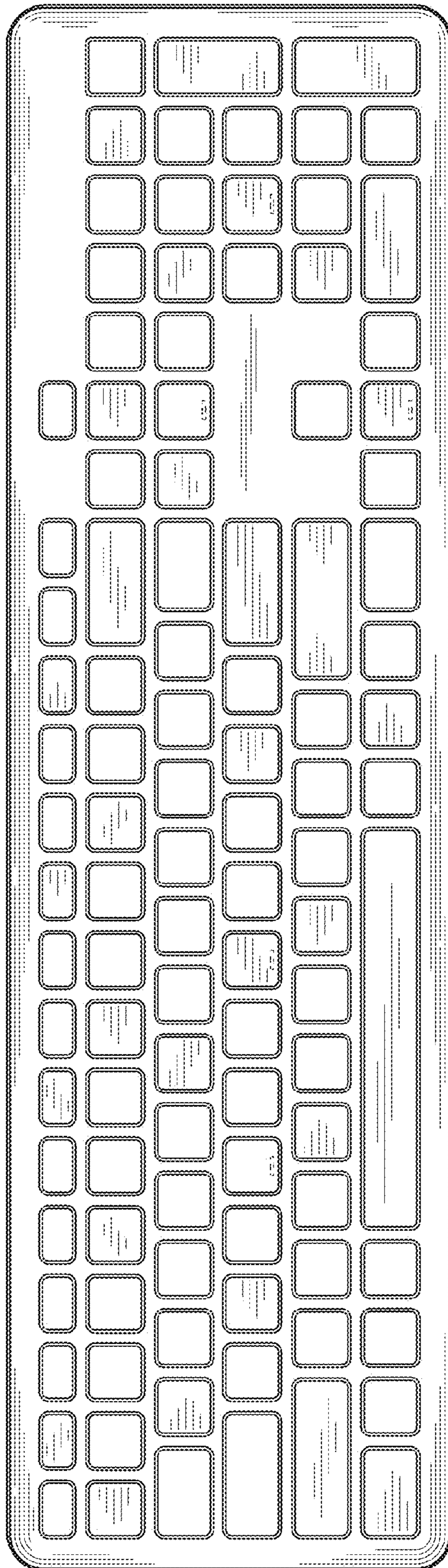


FIG. 6

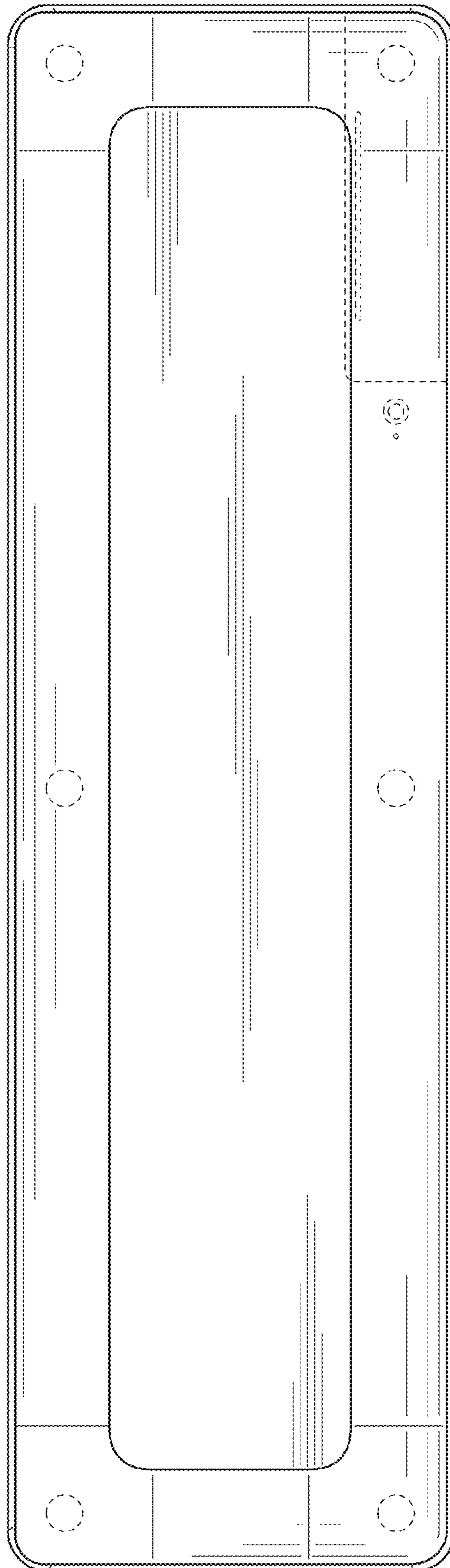


FIG. 7

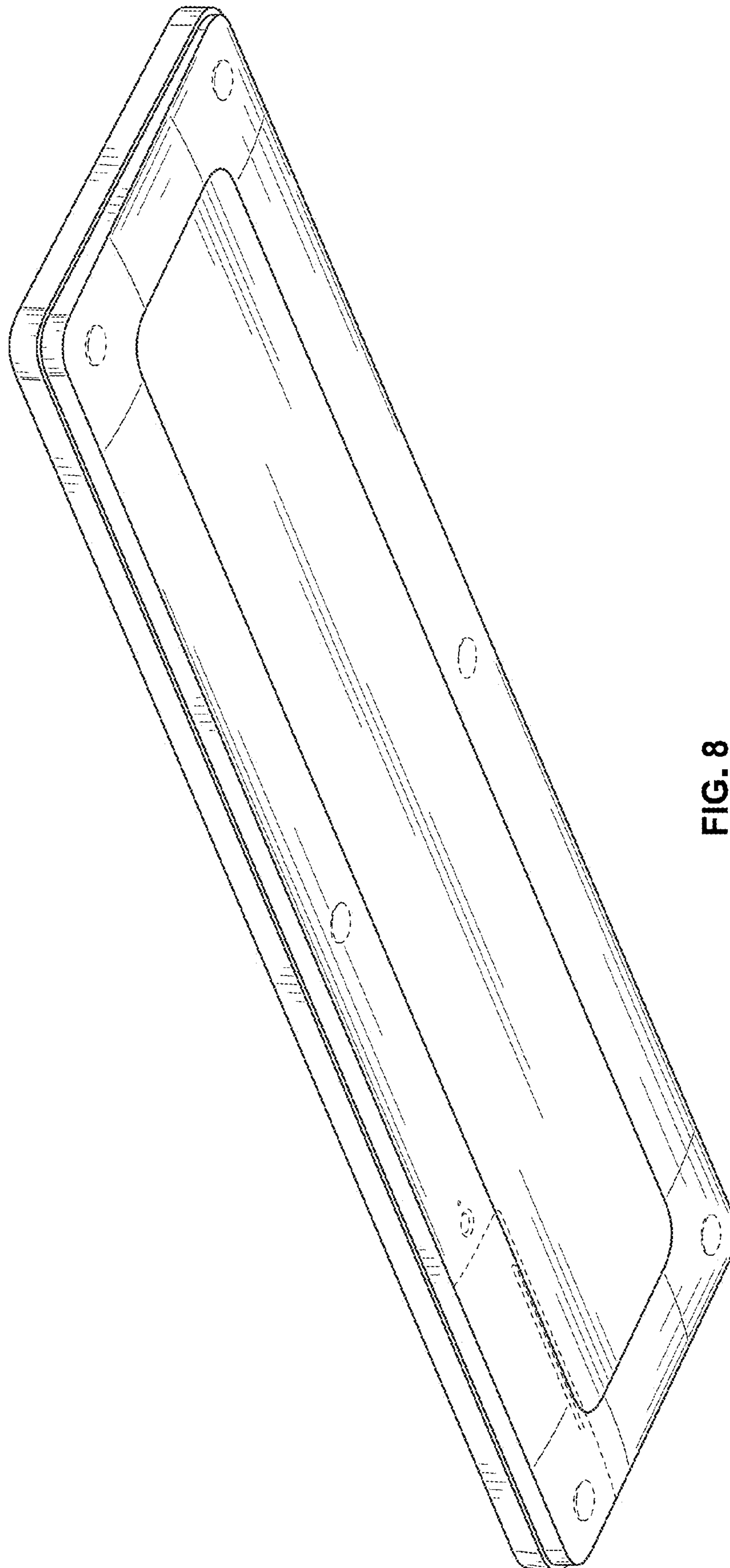


FIG. 8