



US00D940712S

(12) **United States Design Patent**
Hsu

(10) **Patent No.:** **US D940,712 S**
(45) **Date of Patent:** **** Jan. 11, 2022**

(54) **INDOOR ACCESS POINT**
(71) Applicant: **AMBIT MICROSYSTEMS**
(SHANGHAI) LTD., Shanghai (CN)
(72) Inventor: **Yi-Heng Hsu**, New Taipei (TW)
(73) Assignee: **AMBIT MICROSYSTEMS**
(SHANGHAI) LTD., Shanghai (CN)

D736,207 S * 8/2015 Bousfield D14/385
D838,271 S * 1/2019 Kaneko D14/384
D849,005 S * 5/2019 Bierach D14/383
D855,613 S * 8/2019 Kaiya D14/383
D859,409 S * 9/2019 Tsujikawa D14/383
D859,410 S * 9/2019 Tsujikawa D14/383
D864,200 S * 10/2019 Holman, IV D14/384
D892,114 S * 8/2020 Siminoff D14/383

* cited by examiner

(**) Term: **15 Years**

Primary Examiner — Austin Murphy

(21) Appl. No.: **29/724,754**

(74) *Attorney, Agent, or Firm* — ScienBiziP, P.C.

(22) Filed: **Feb. 19, 2020**

(57) **CLAIM**

(51) **LOC (13) Cl.** **14-02**

The ornamental design for an indoor access point, as shown and described.

(52) **U.S. Cl.**
USPC **D14/383**

(58) **Field of Classification Search**
USPC D14/356–358, 383–385, 420, 426, 427,
D14/432–439, 447, 453, 454, 217, 253,
D14/299, 307; D13/107, 108, 133, 146,
D13/147, 152, 154, 156, 158, 162, 162.1,
D13/168, 173, 177, 102; 235/441, 451,
235/492, 380, 439, 375; 361/679.31, 600,
361/679.01, 679.02
CPC G07C 9/00103; G07C 9/00039; G07C
9/00904; G06K 5/00; G06K 7/01
See application file for complete search history.

DESCRIPTION

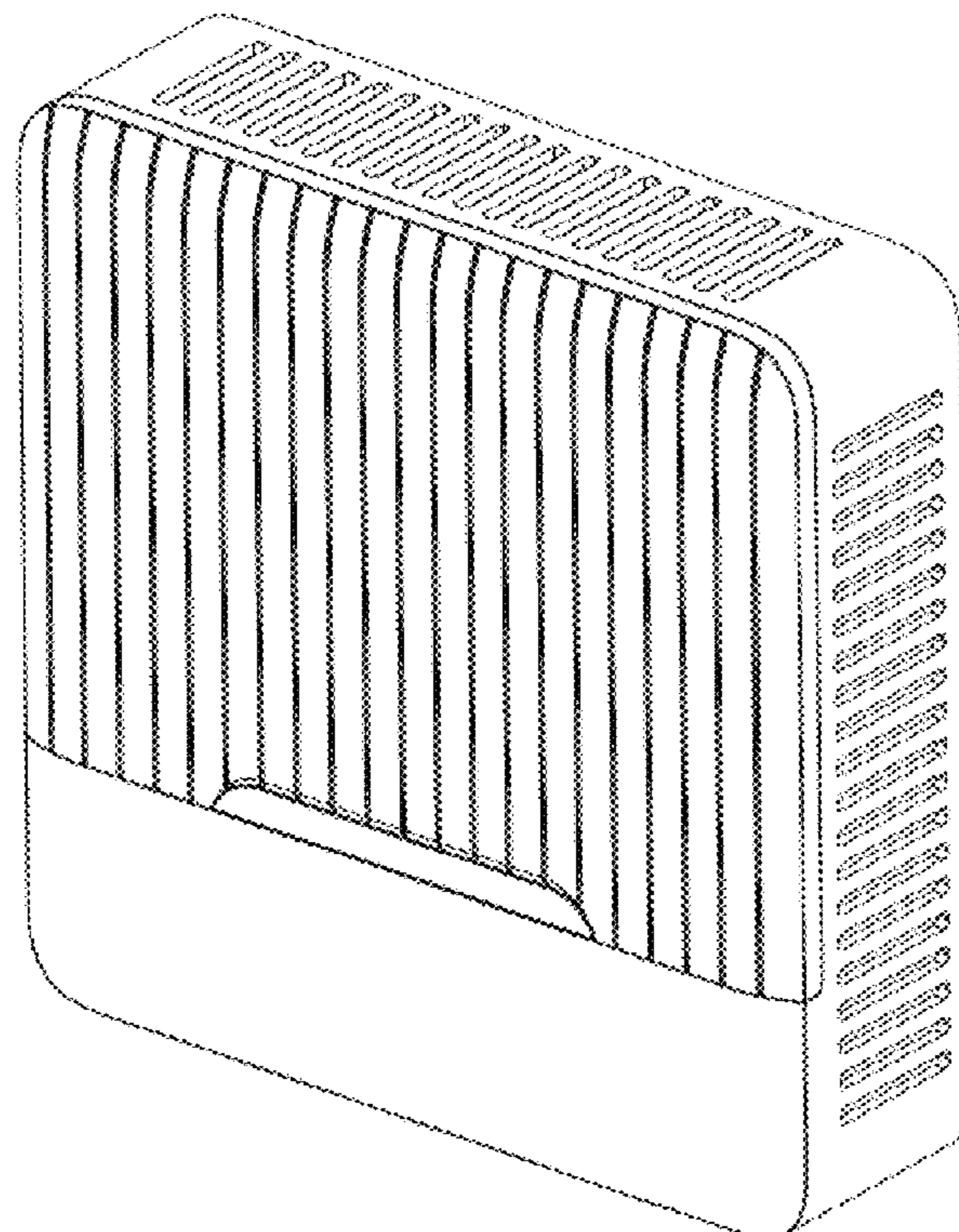
FIG. 1 is a perspective view 1 of an indoor access point;
FIG. 2 is another perspective view 2 of the indoor access
point;
FIG. 3 is a front elevational view thereof;
FIG. 4 is a rear elevational view thereof;
FIG. 5 is a left side elevational view thereof;
FIG. 6 is a right side elevational view thereof;
FIG. 7 is a top plan view thereof;
FIG. 8 is a bottom plan view thereof;
FIG. 9 is a rear perspective view of an indoor access point
with mounting bracket; and,
FIG. 10 is a rear perspective view of an indoor access point
with stand.

(56) **References Cited**

U.S. PATENT DOCUMENTS

D699,614 S * 2/2014 Ke D10/106.95
D719,862 S * 12/2014 Fiedler D10/106.95

1 Claim, 10 Drawing Sheets



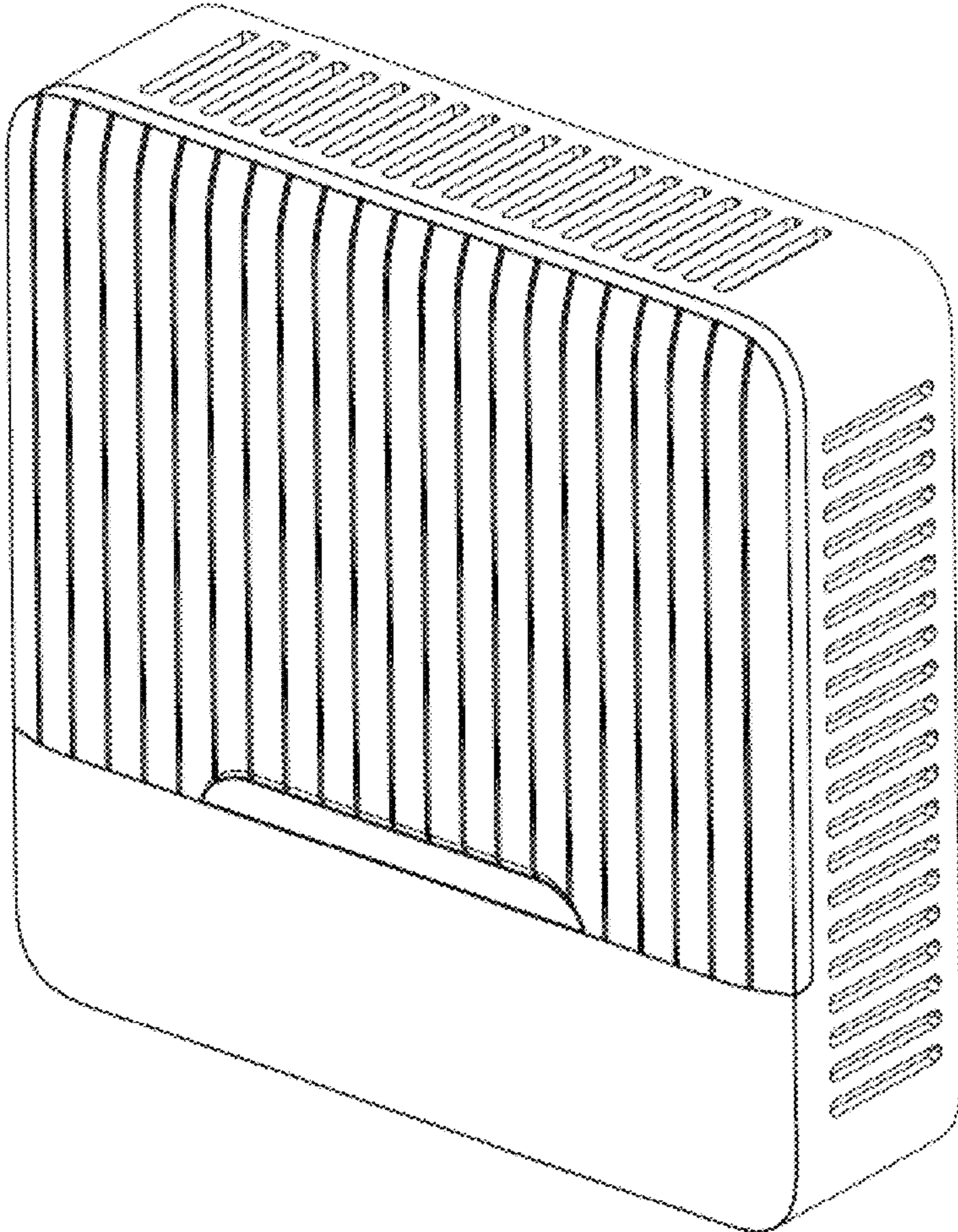


FIG. 1

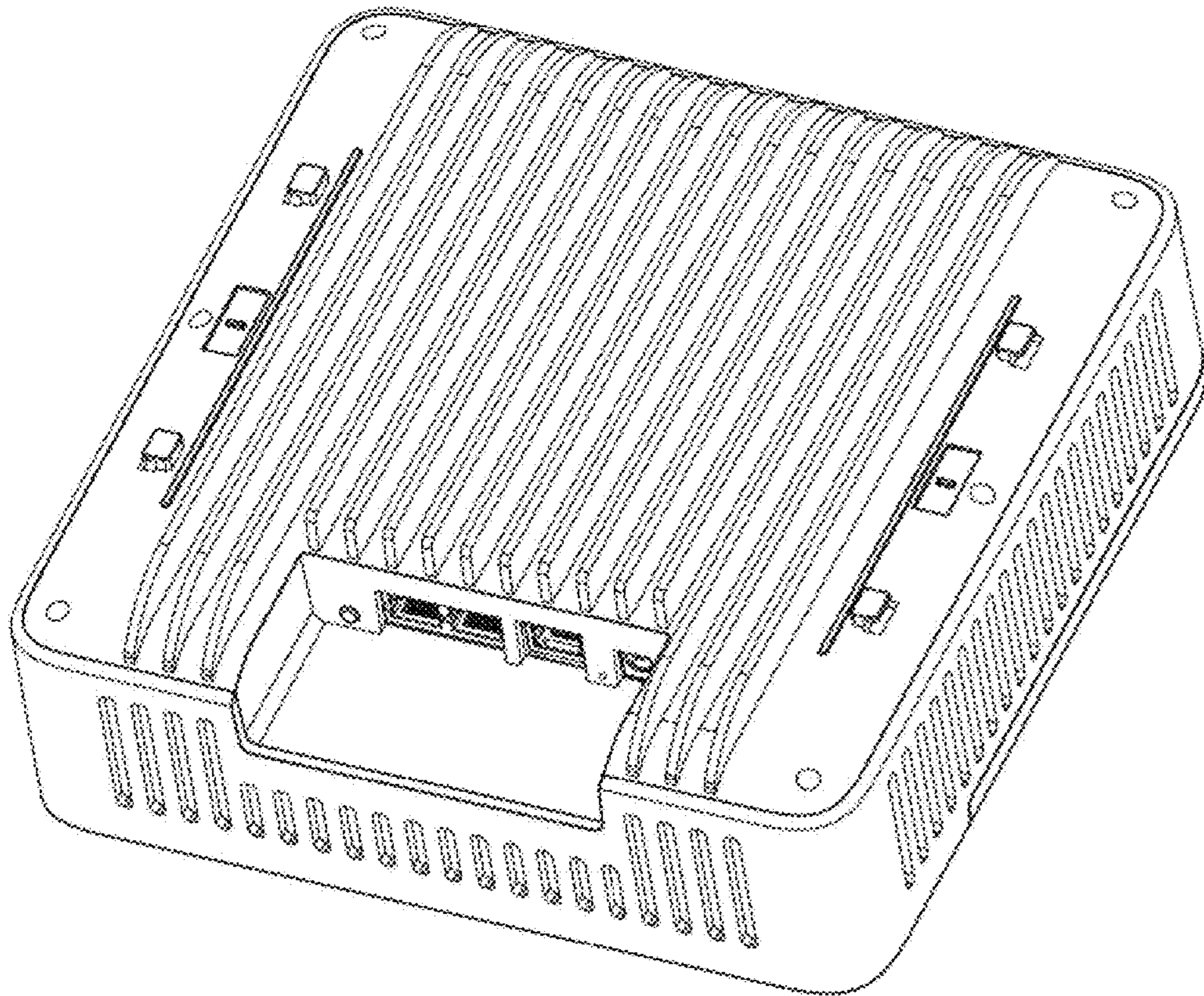


FIG. 2

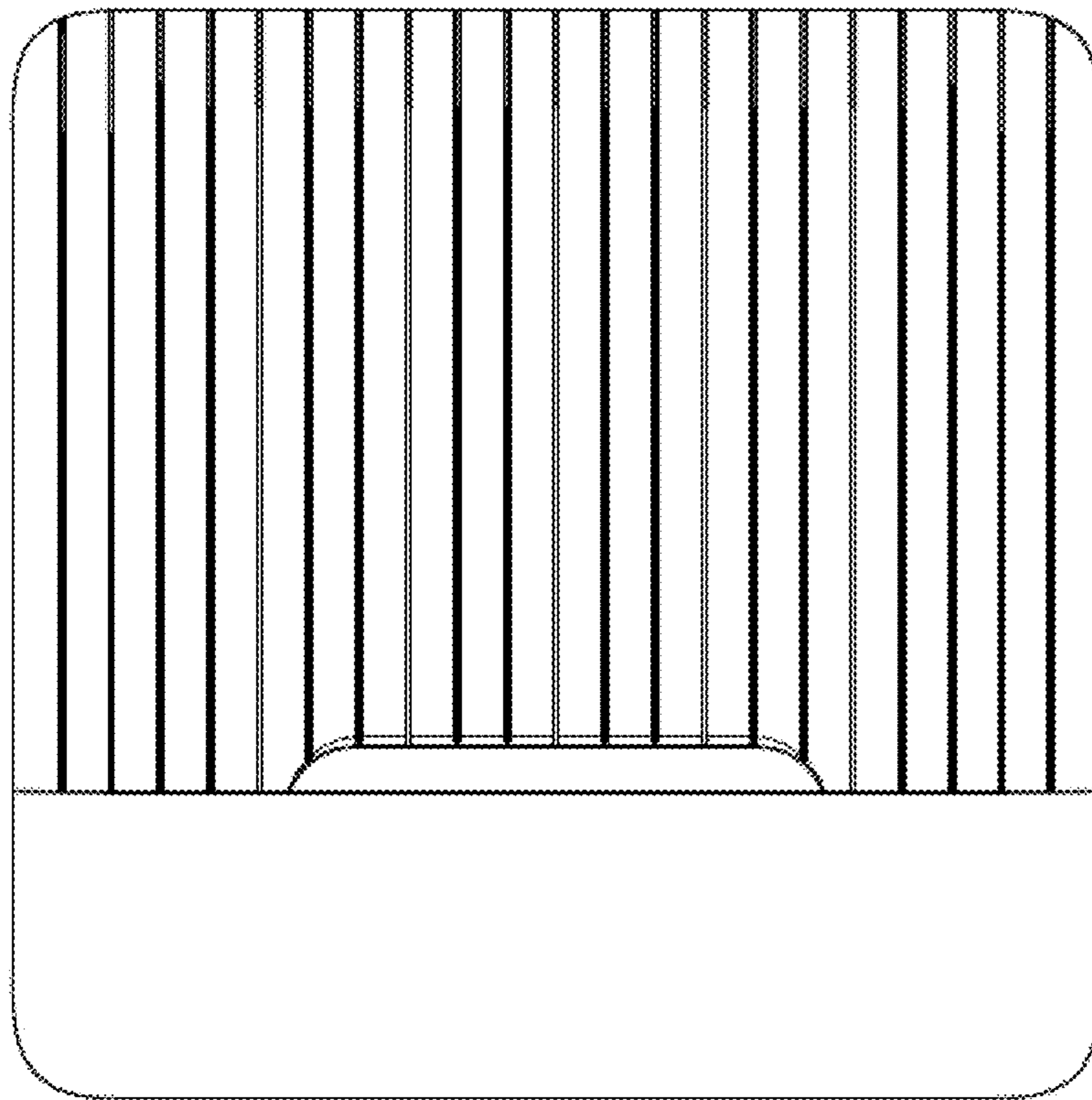


FIG. 3

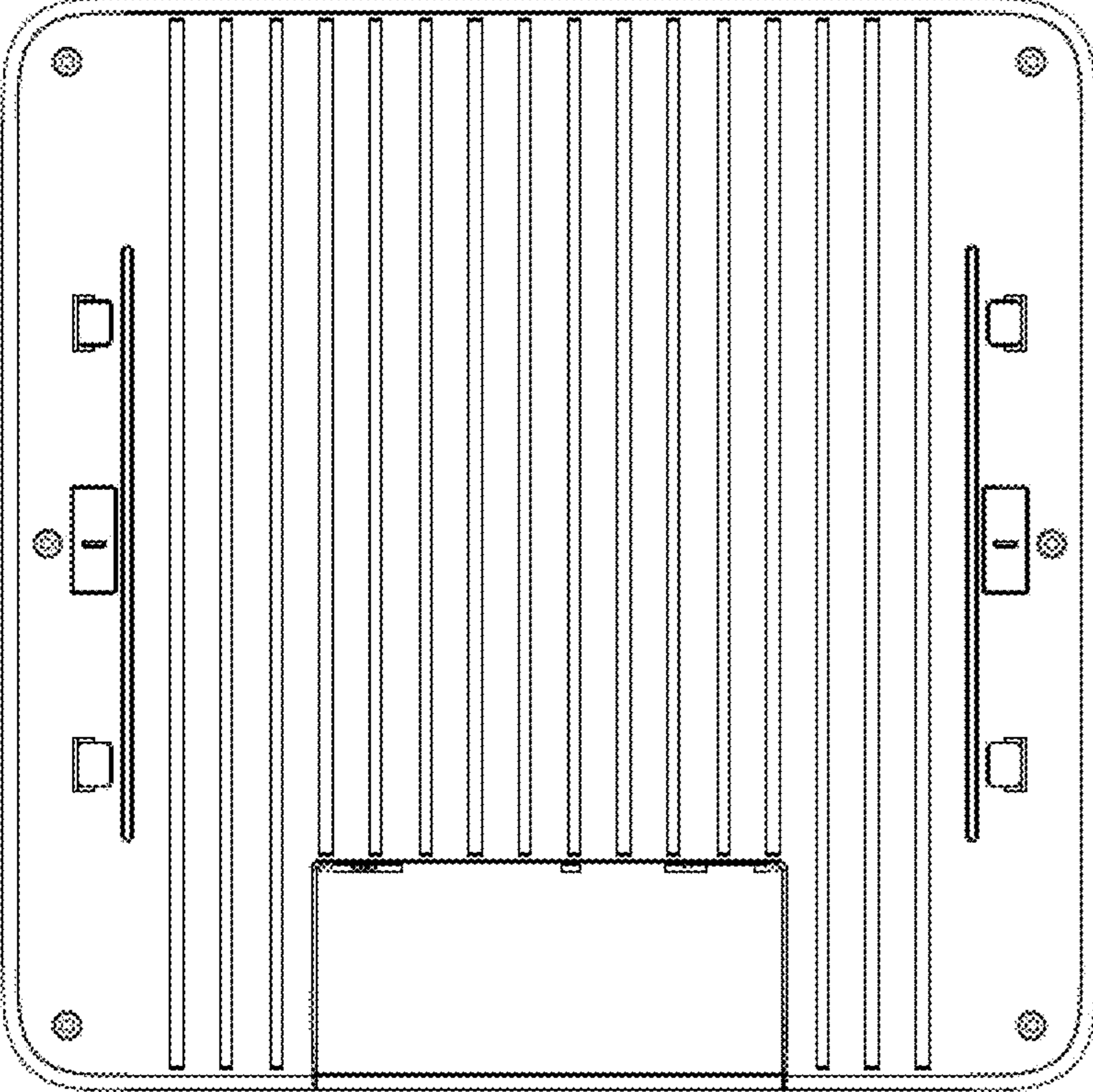


FIG. 4

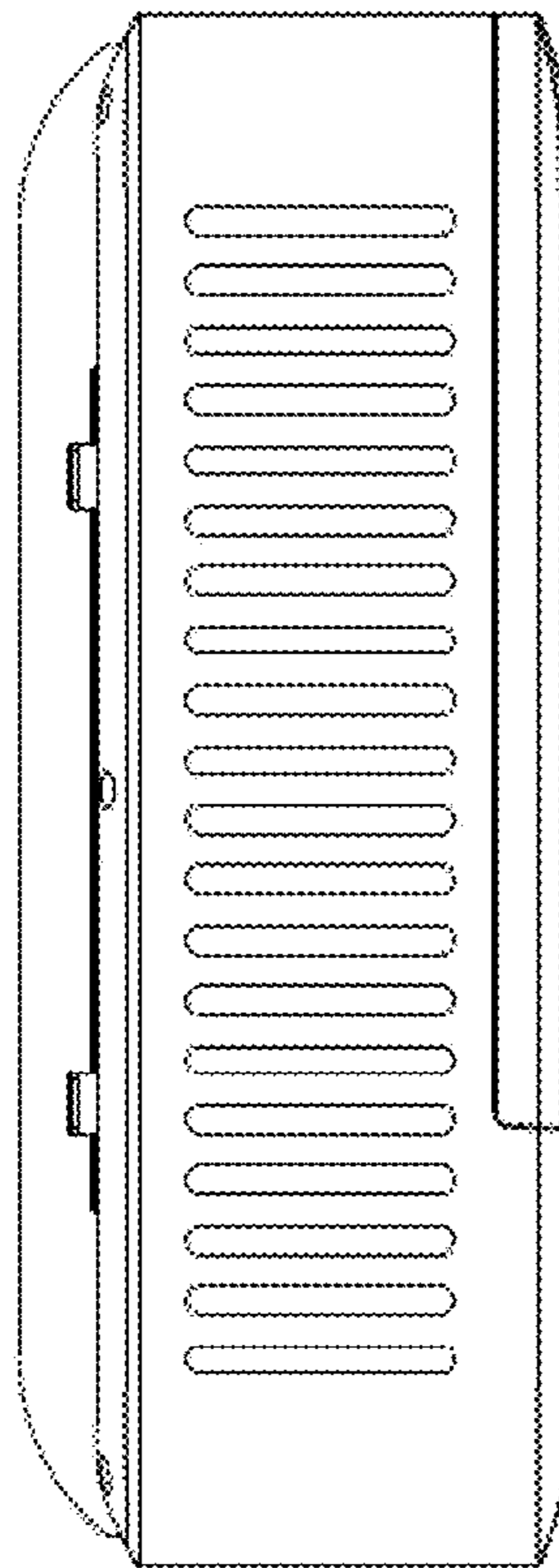


FIG. 5

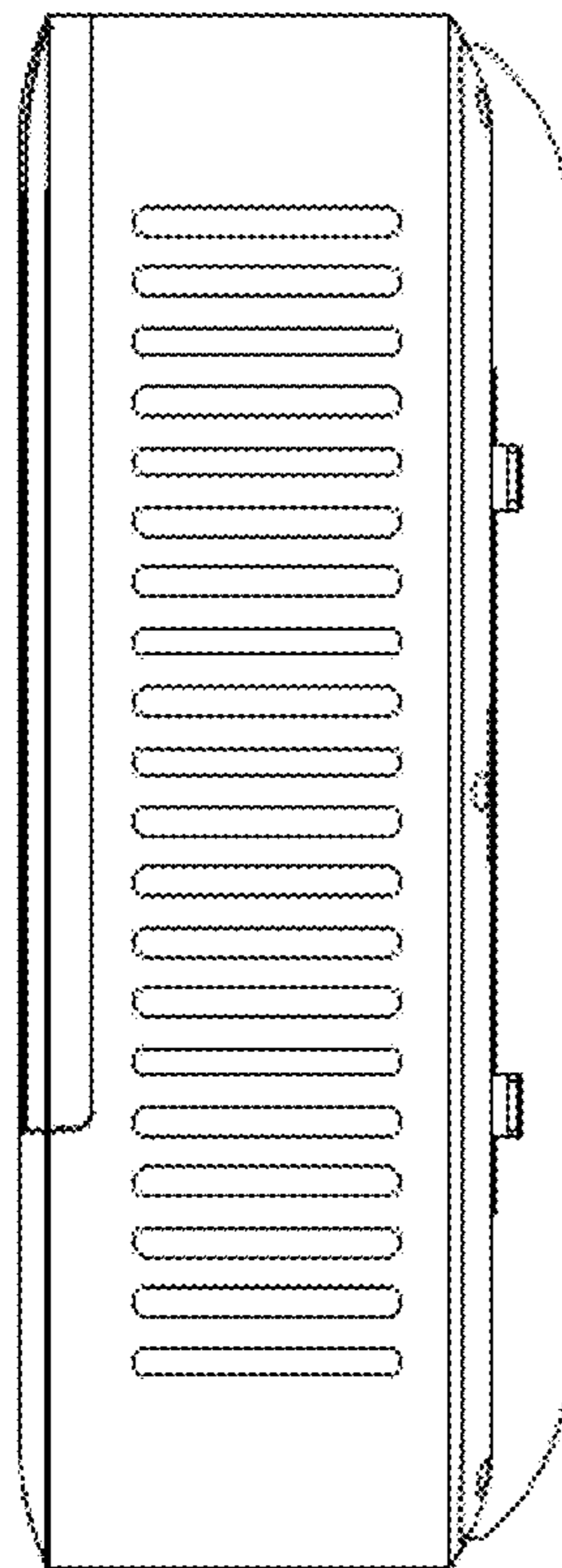


FIG. 6

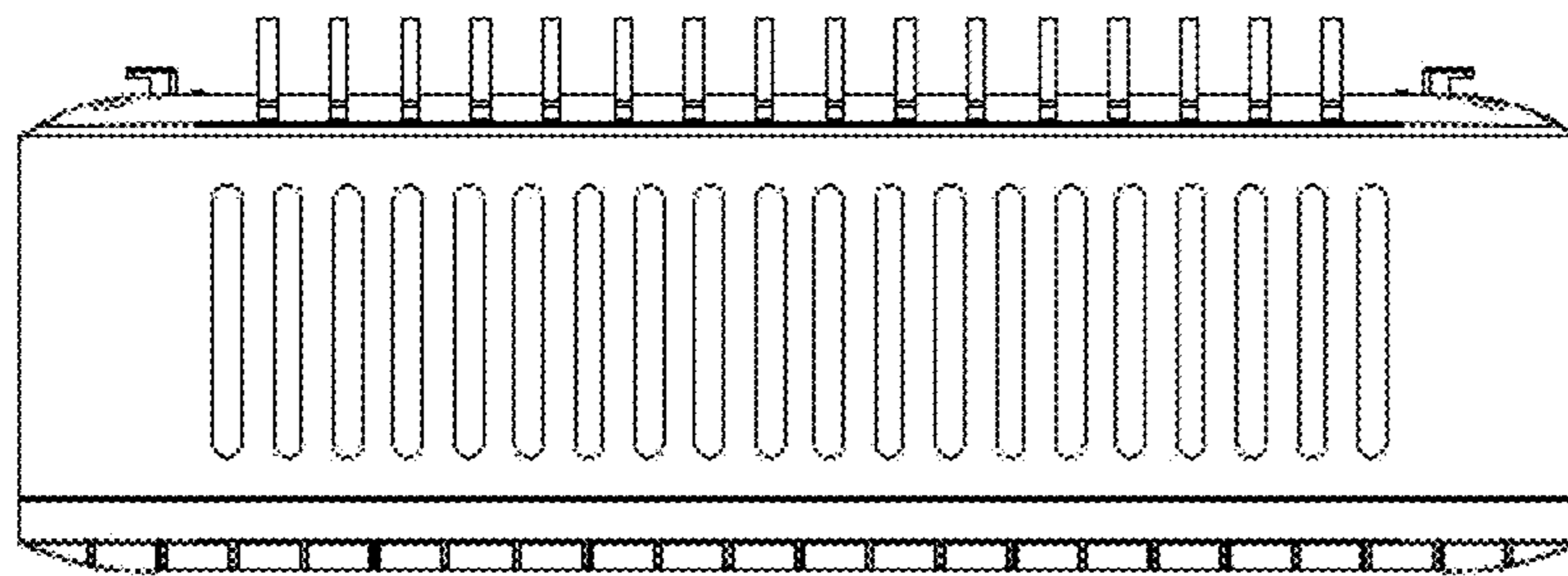


FIG. 7

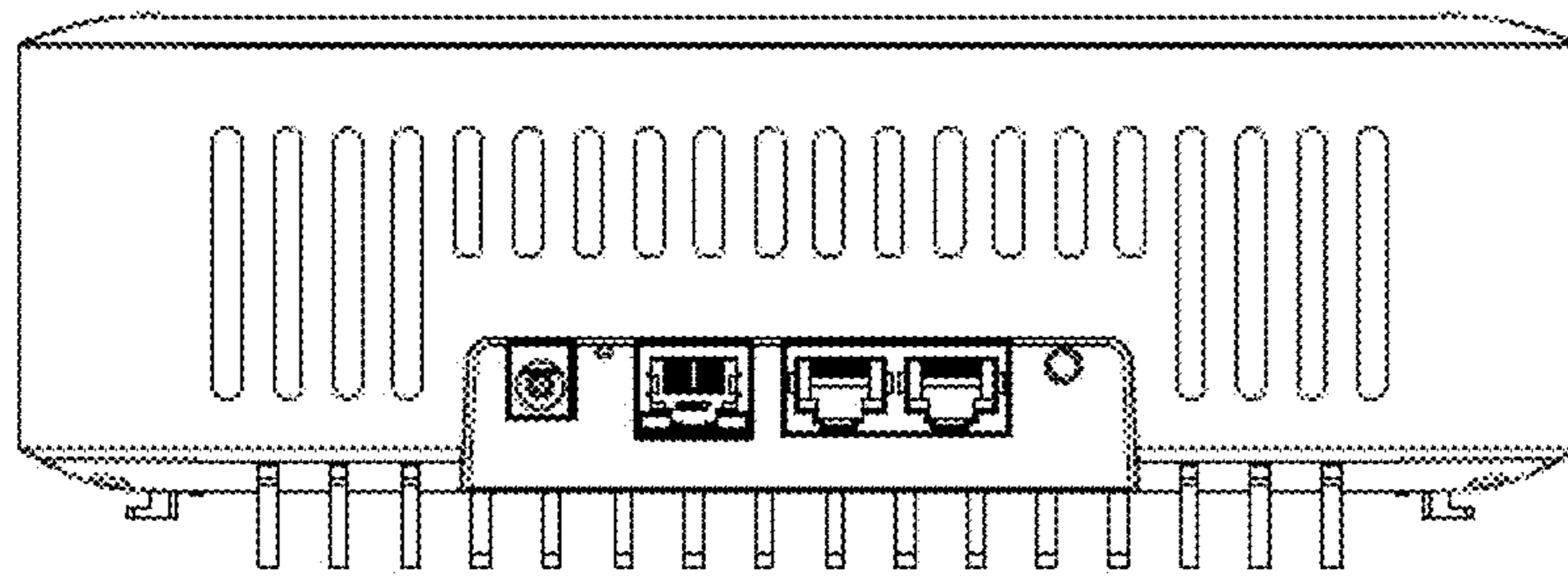


FIG. 8

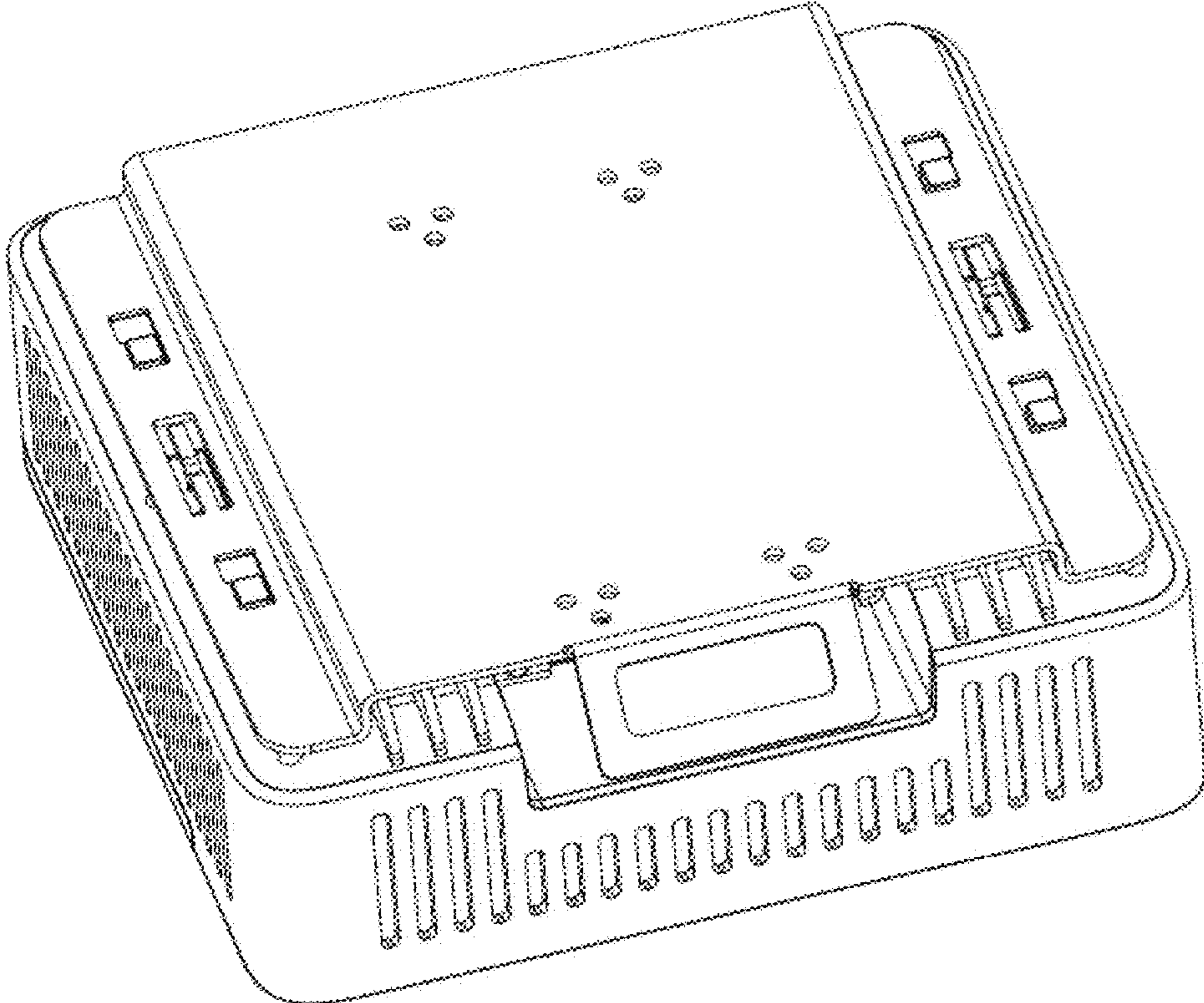


FIG. 9

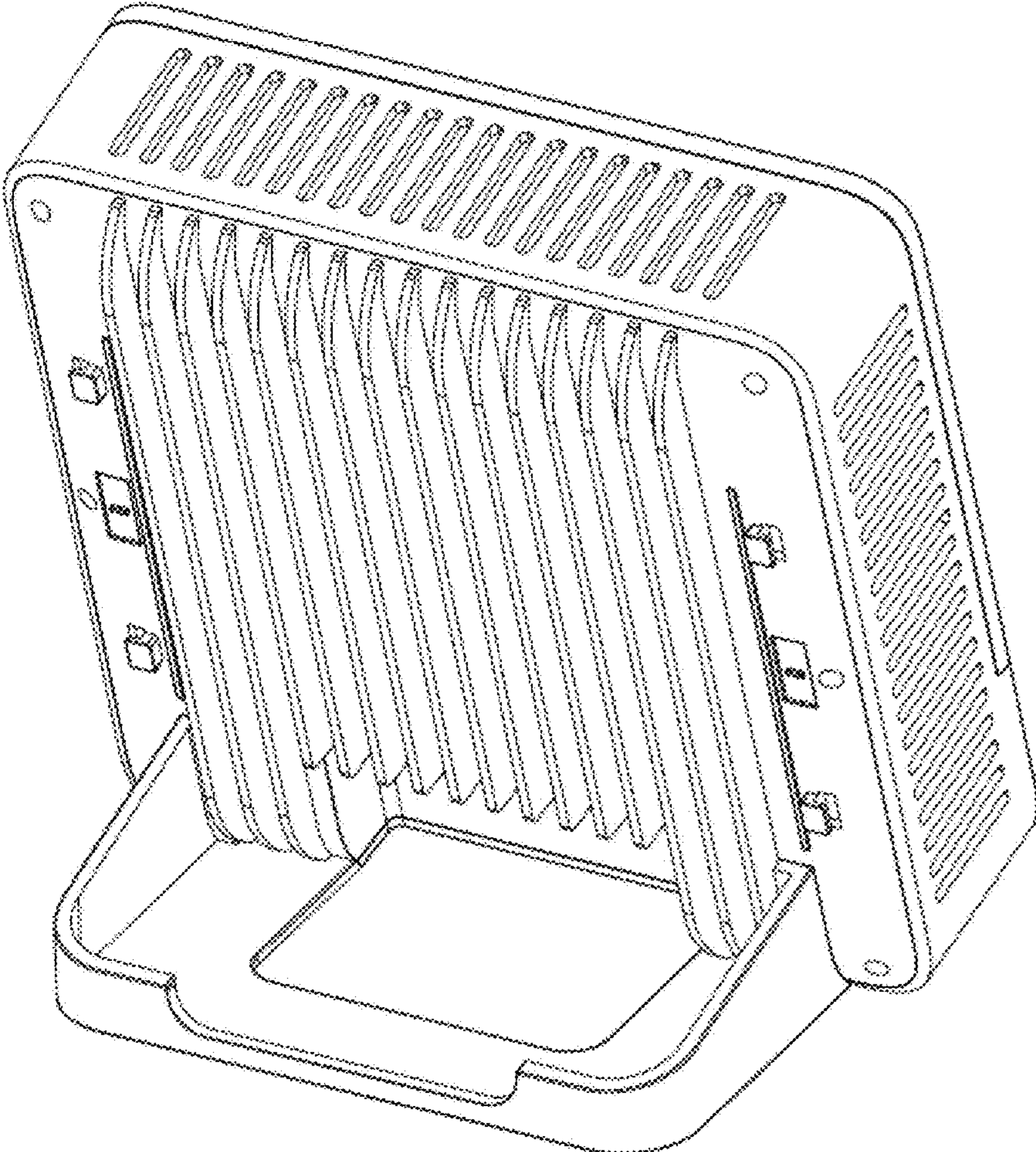


FIG. 10