



US00D940711S

(12) **United States Design Patent**
Mitchell

(10) **Patent No.:** **US D940,711 S**
(45) **Date of Patent:** **** Jan. 11, 2022**

(54) **CYBERNETIC COMPUTER ENCLOSURE**
(71) Applicant: **Miles Anthony Nyagol Mitchell**, New York, NY (US)
(72) Inventor: **Miles Anthony Nyagol Mitchell**, New York, NY (US)
(73) Assignee: **Miles Anthony Nyagol Mitchell**, New York, NY (US)

D867,362 S *	11/2019	Chou	D14/372
D882,568 S *	4/2020	Park	D14/372
D883,980 S *	5/2020	Chen	D14/372
D898,738 S *	10/2020	Denhez	D14/372
D914,020 S *	3/2021	Wei	D14/372
D916,702 S *	4/2021	Newsom	D14/372
D917,476 S *	4/2021	Zhang	D14/372
D918,904 S *	5/2021	Jackson	D14/372
D925,529 S *	7/2021	Morris	D14/372

(**) Term: **15 Years**

* cited by examiner

(21) Appl. No.: **29/745,849**

Primary Examiner — Austin Murphy

(22) Filed: **Aug. 10, 2020**

(51) **LOC (13) Cl.** **14-02**

(52) **U.S. Cl.**
USPC **D14/372**

(58) **Field of Classification Search**
USPC D14/372, 496, 432, 371, 125, 126, 129, D14/299; D16/300-342; 351/158, 153, 351/144; 345/7-9, 905; 455/344; 348/115, 53, 121, 739
CPC G02B 27/017; G02B 27/0158; G02B 27/0161; G02B 27/0181; G02B 27/0185; G02B 27/0189

See application file for complete search history.

(56) **References Cited**

U.S. PATENT DOCUMENTS

D807,358 S *	1/2018	Huang	D14/372
D865,764 S *	11/2019	Miller	D14/372

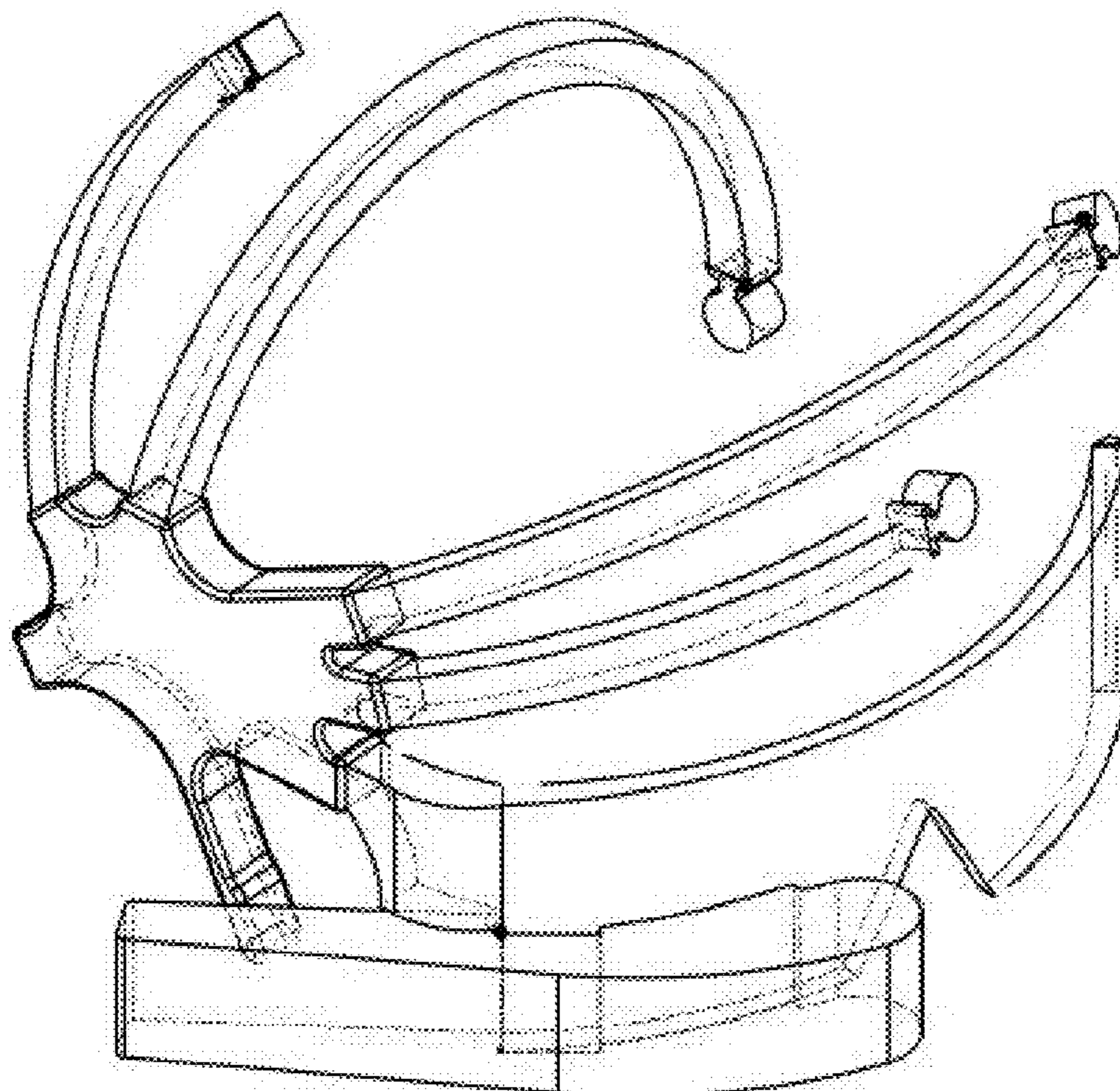
(57) **CLAIM**

The ornamental design for a cybernetic computer enclosure, as shown.

DESCRIPTION

FIG. 1 is a frontal orthogonal view of the cybernetic computer enclosure showing my new design; FIG. 2 is a supplemental frontal, orthogonal view thereof; FIG. 3 is a supplemental frontal view thereof; FIG. 4 is a supplemental rear, orthogonal view thereof; FIG. 5 is a supplemental side view thereof; FIG. 6 is a supplemental side view thereof; and, FIG. 7 is a supplemental rear, orthogonal view thereof.

1 Claim, 7 Drawing Sheets



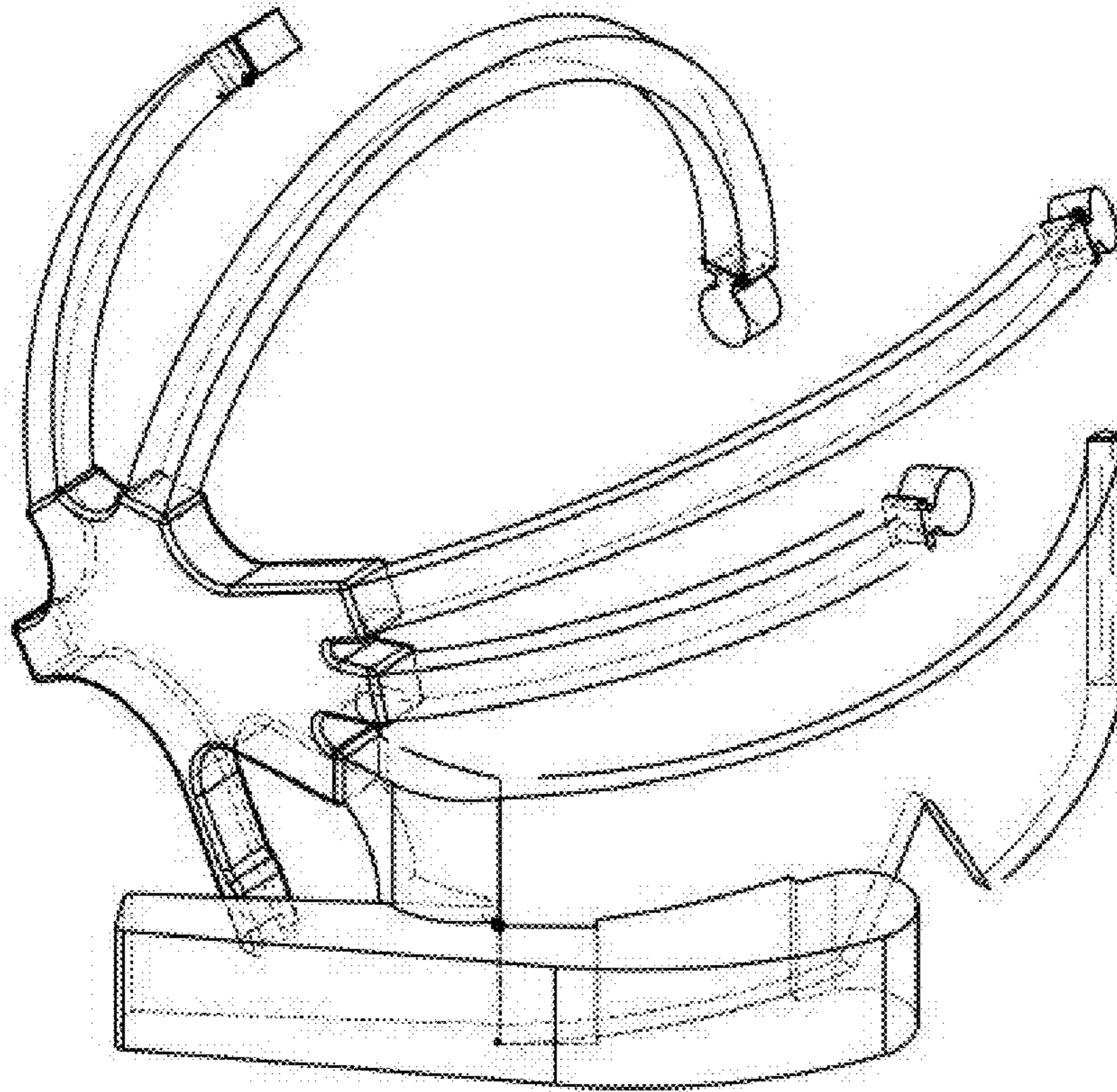


Fig. 1

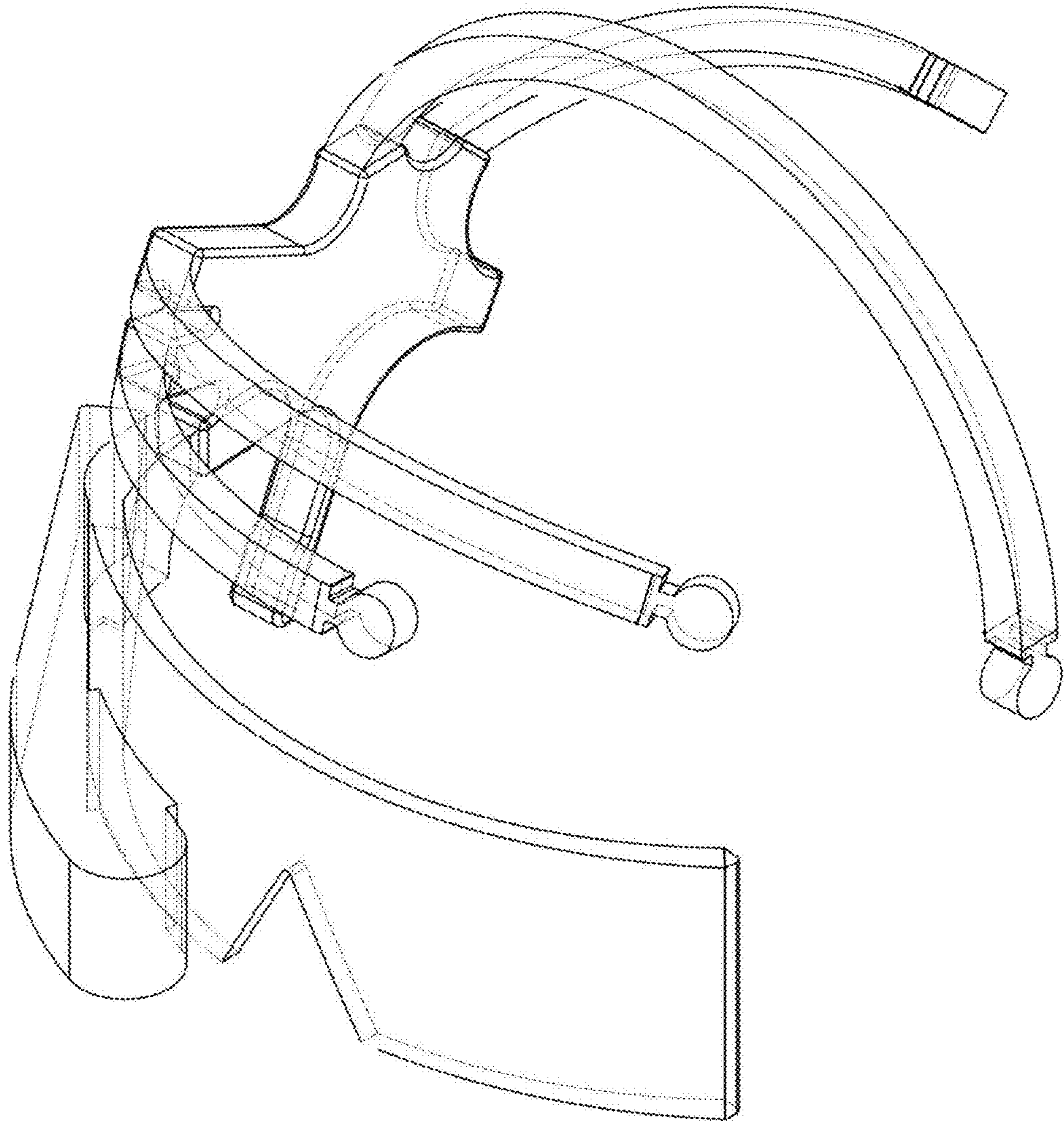


Fig. 2

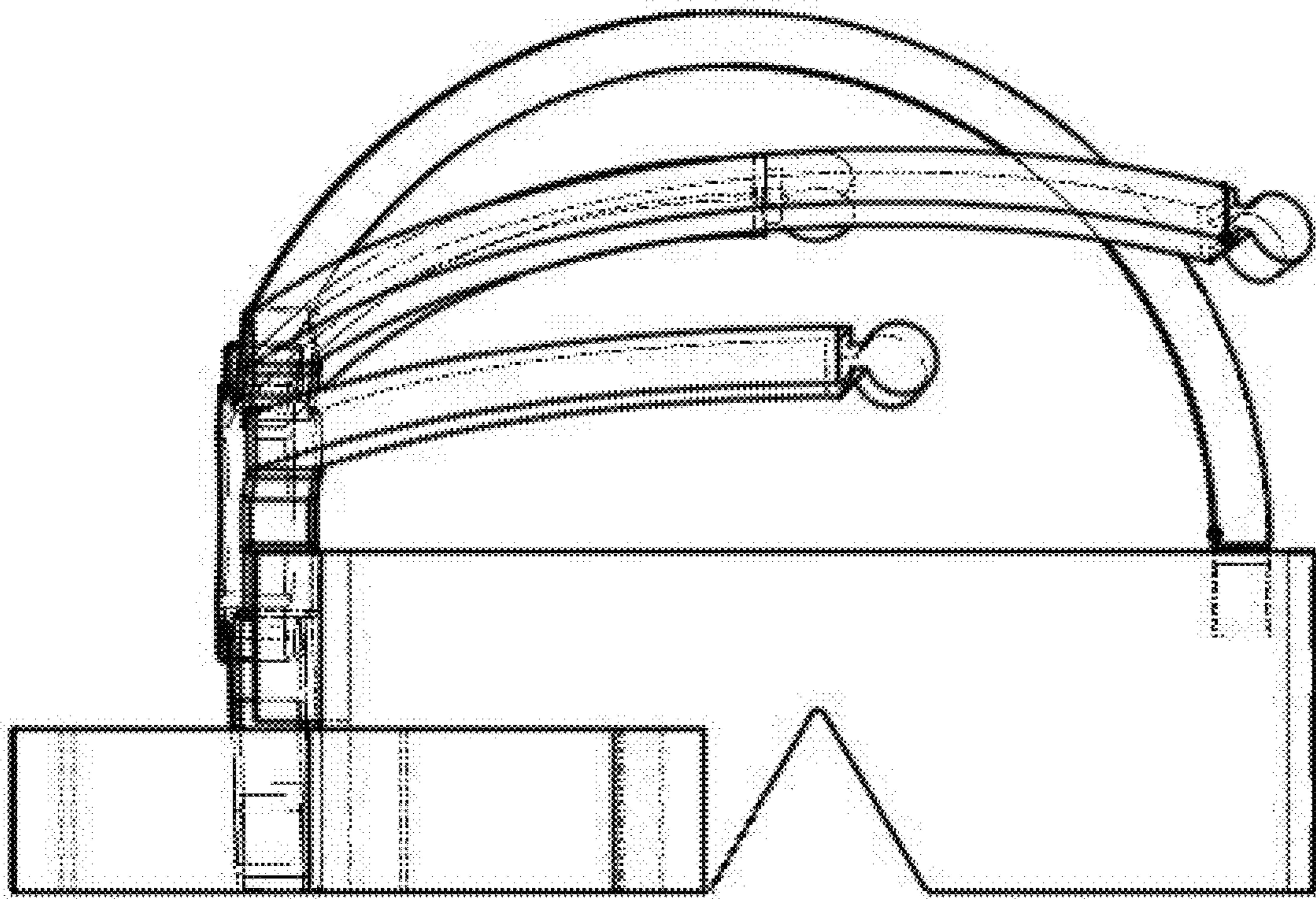


Fig. 3

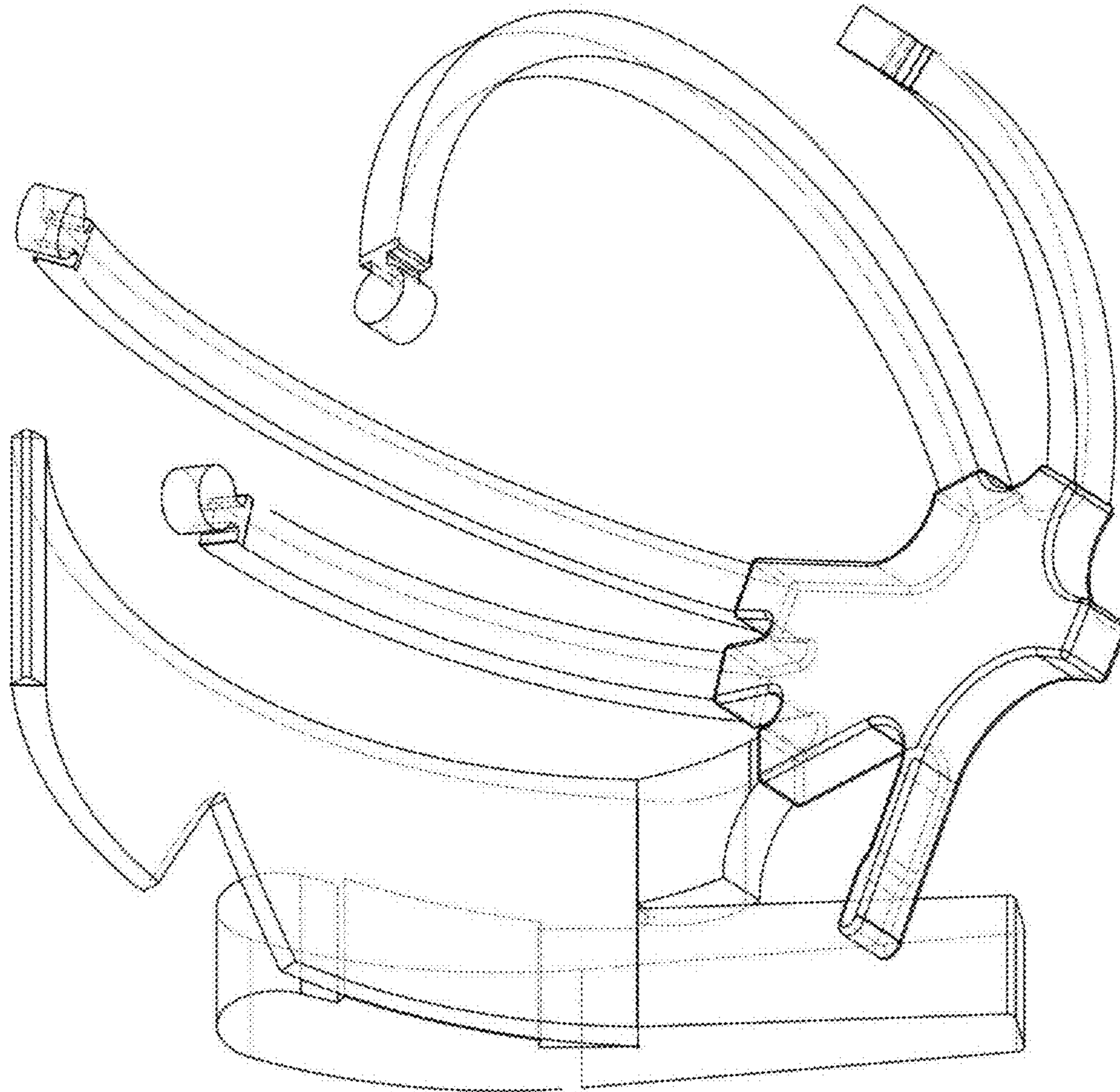


Fig. 4

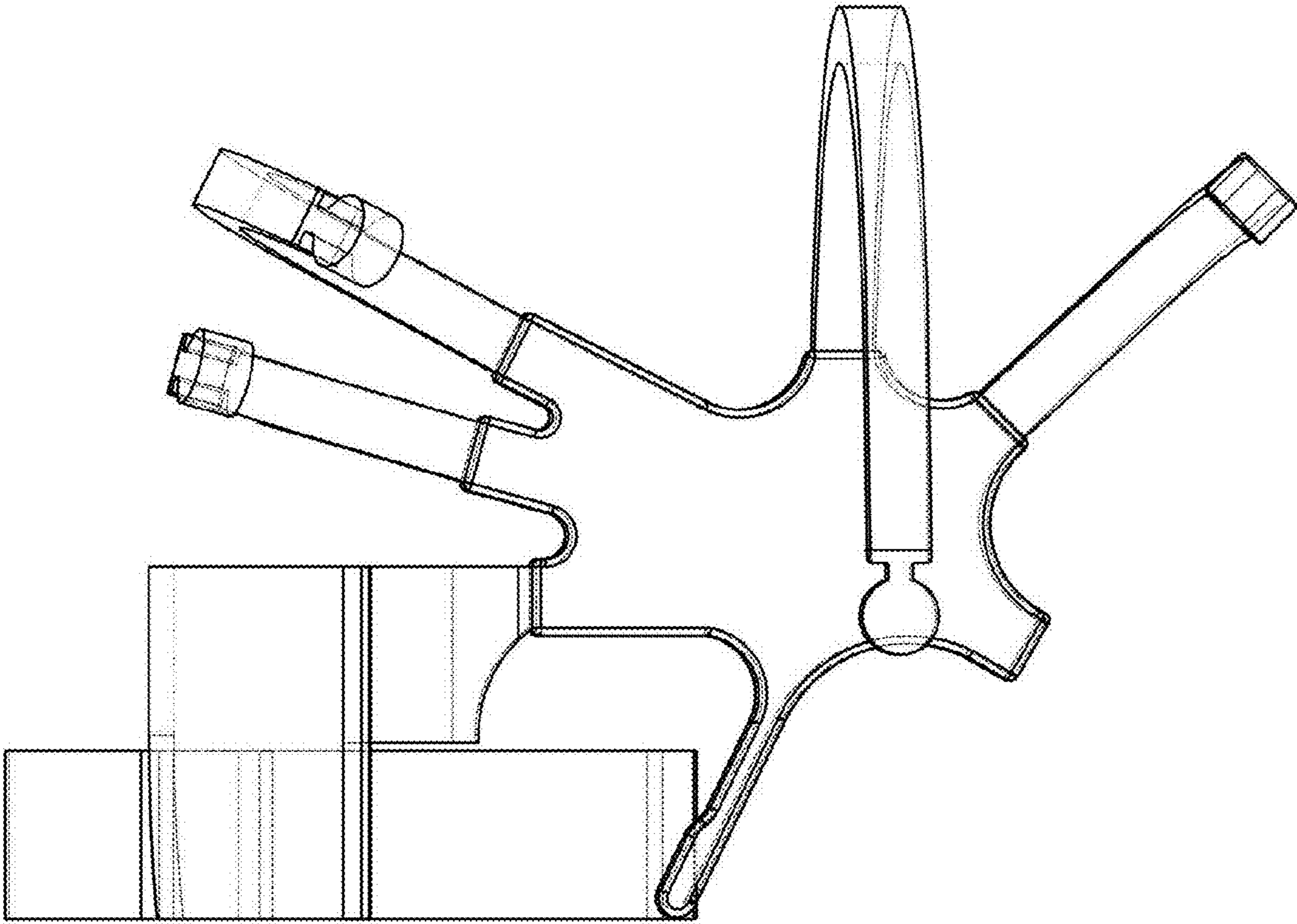


Fig. 5

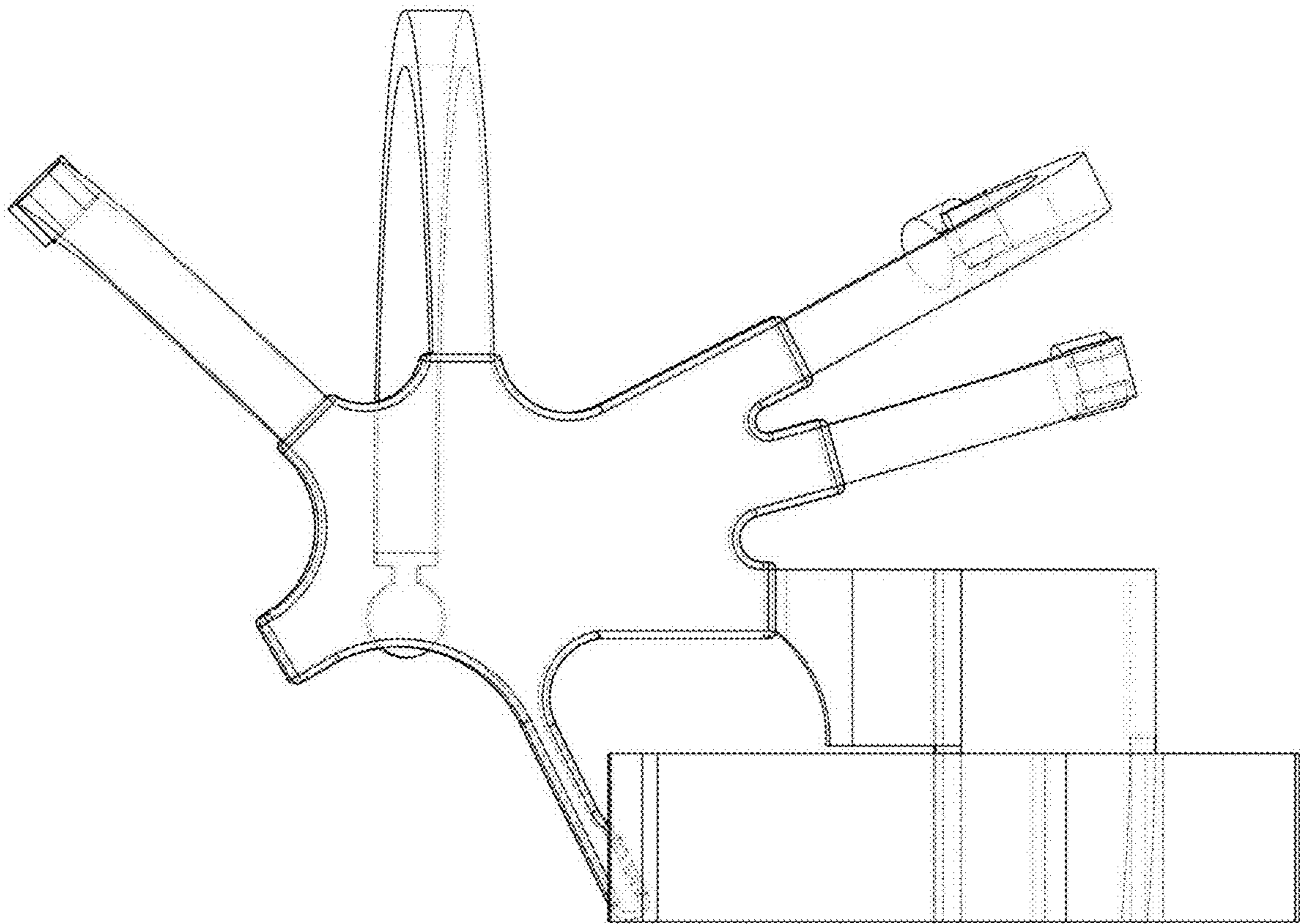


Fig. 6

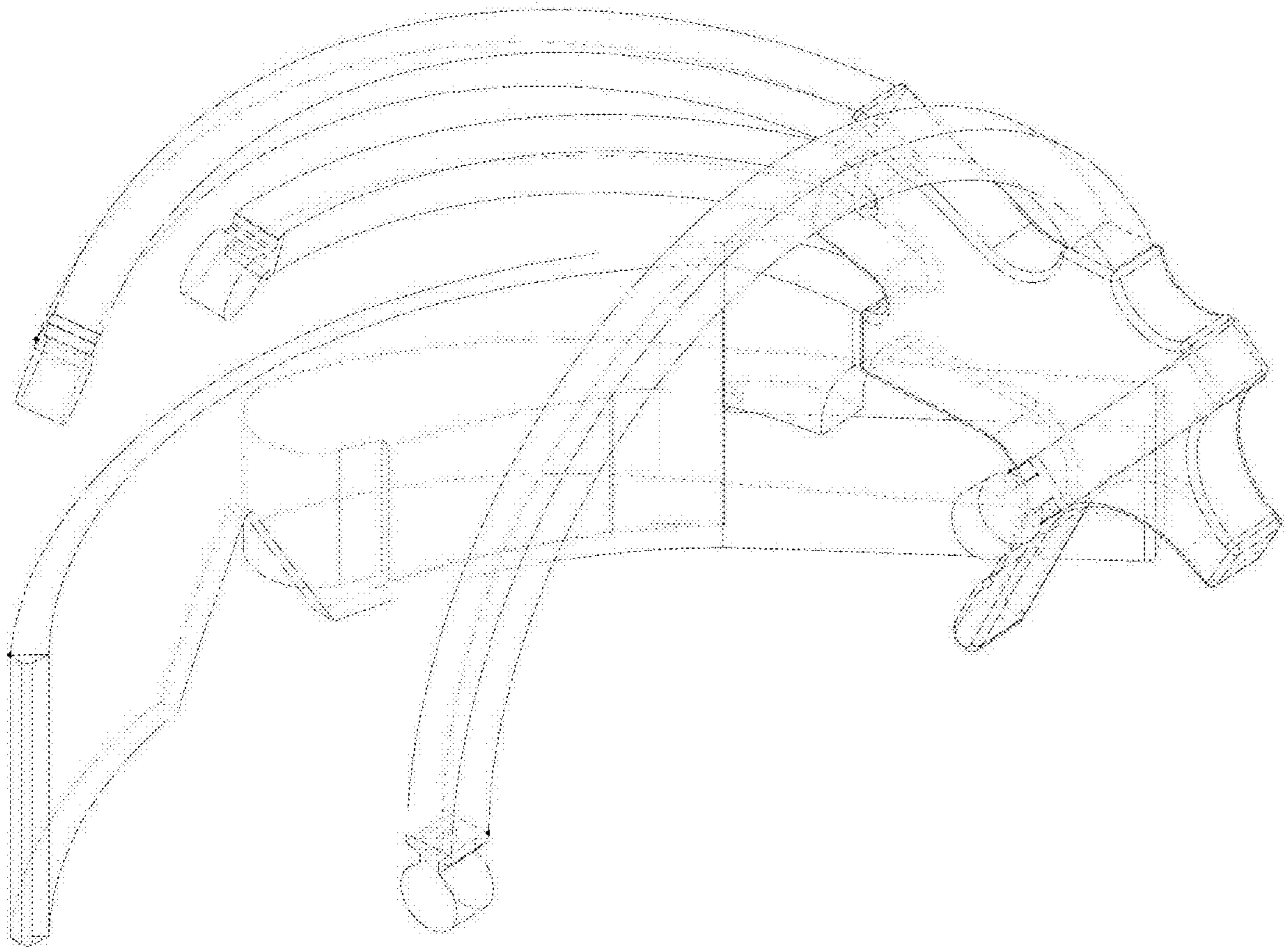


Fig. 7