

US00D940710S

(12) **United States Design Patent**
Takagi et al.

(10) **Patent No.:** **US D940,710 S**
(45) **Date of Patent:** **** Jan. 11, 2022**

(54) **HEAD MOUNTED DISPLAY**

(71) Applicant: **SEIKO EPSON CORPORATION,**
Tokyo (JP)

(72) Inventors: **Masayuki Takagi,** Azumino (JP);
Kazuya Kamakura, Matsumoto (JP)

(73) Assignee: **SEIKO EPSON CORPORATION,**
Tokyo (JP)

(**) Term: **15 Years**

(21) Appl. No.: **29/733,996**

(22) Filed: **May 8, 2020**

(30) **Foreign Application Priority Data**

Nov. 13, 2019 (JP) 2019-025234

(51) **LOC (13) Cl.** **14-02**

(52) **U.S. Cl.**
USPC **D14/372**

(58) **Field of Classification Search**
USPC D14/372, 496, 432, 371, 125, 126, 129,
D14/299; D16/300-342; 351/158, 153,
351/144; 345/7-9, 905; 455/344;
348/115, 53, 121, 739
CPC G02B 27/017; G02B 27/0158; G02B
27/0161; G02B 27/0181; G02B 27/0185;
G02B 27/0189

See application file for complete search history.

(56) **References Cited**

U.S. PATENT DOCUMENTS

D793,391 S 8/2017 Nakagawa et al.
D826,227 S * 8/2018 Iritani D14/372

D836,629 S * 12/2018 Maffucci D14/372
10,261,322 B2 * 4/2019 Takagi G02B 27/0172
D861,683 S * 10/2019 Chou D14/372
D863,299 S * 10/2019 Jacobsen D14/372
D881,878 S * 4/2020 Lau D14/372
10,645,374 B2 * 5/2020 Takeda H04N 13/383
D887,408 S * 6/2020 Green D14/372
D905,779 S * 12/2020 Jeon D16/208
10,873,742 B2 * 12/2020 Takeda G02B 27/0103
D912,667 S * 3/2021 Yuan D14/372
11,099,398 B2 * 8/2021 Takagi G02B 27/0172

* cited by examiner

Primary Examiner — Austin Murphy

(57) **CLAIM**

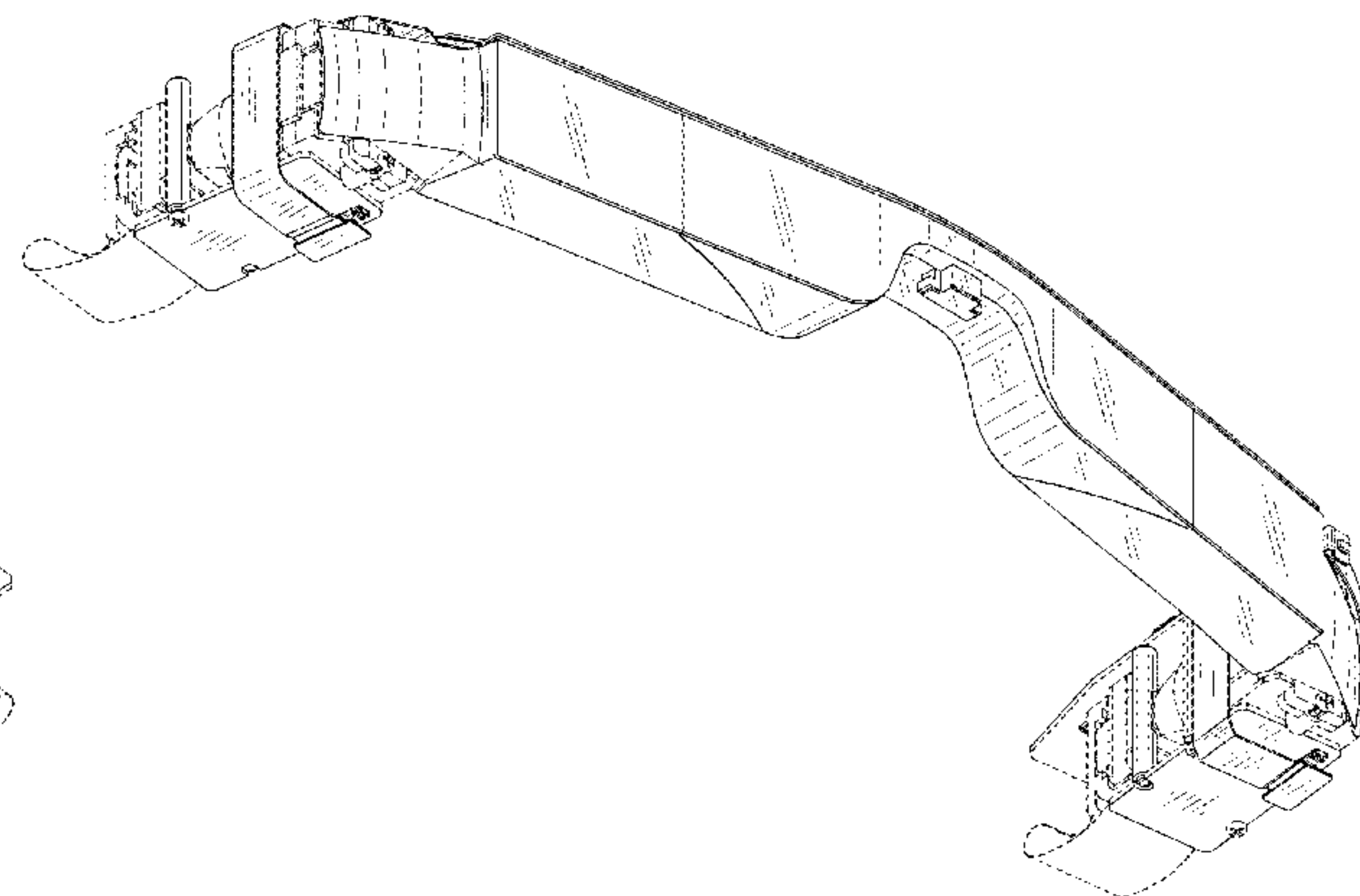
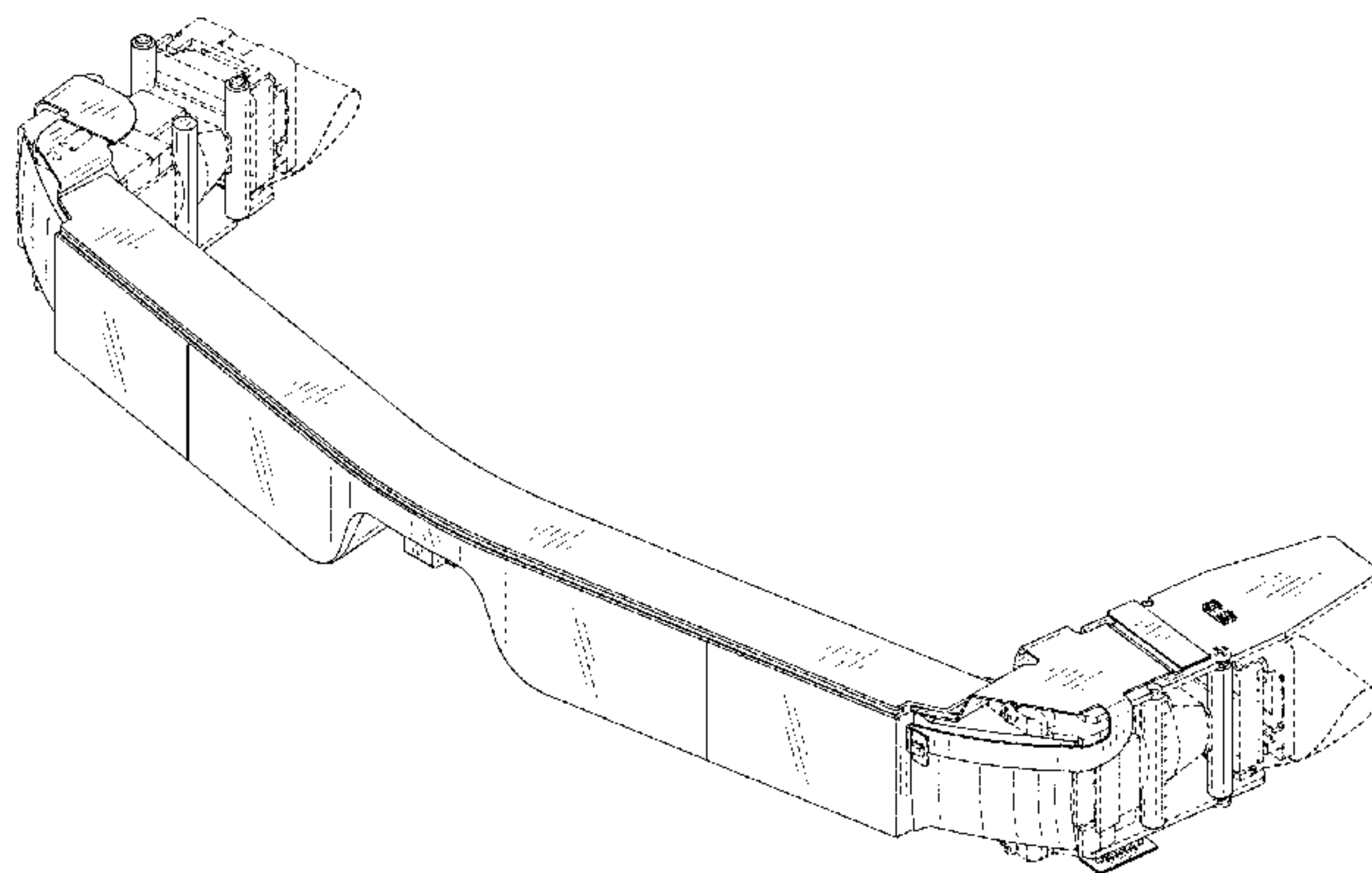
The ornamental design for a head mounted display, as shown and described.

DESCRIPTION

FIG. 1 is a front, top and right side perspective view of a head mounted display showing our new design;
FIG. 2 is a front, bottom and left side perspective view thereof;
FIG. 3 is a rear, top and left side perspective view thereof;
FIG. 4 is a front view thereof;
FIG. 5 is a rear view thereof;
FIG. 6 is a top plan view thereof;
FIG. 7 is a bottom plan view thereof;
FIG. 8 is a right side view thereof; and,
FIG. 9 is a left side view thereof.

The broken lines illustrate portions of the head mounted display that form no part of the claimed design. The oblique line shading shown in the drawings indicates translucent parts. No claim is made to any elements inside the translucent parts.

1 Claim, 7 Drawing Sheets



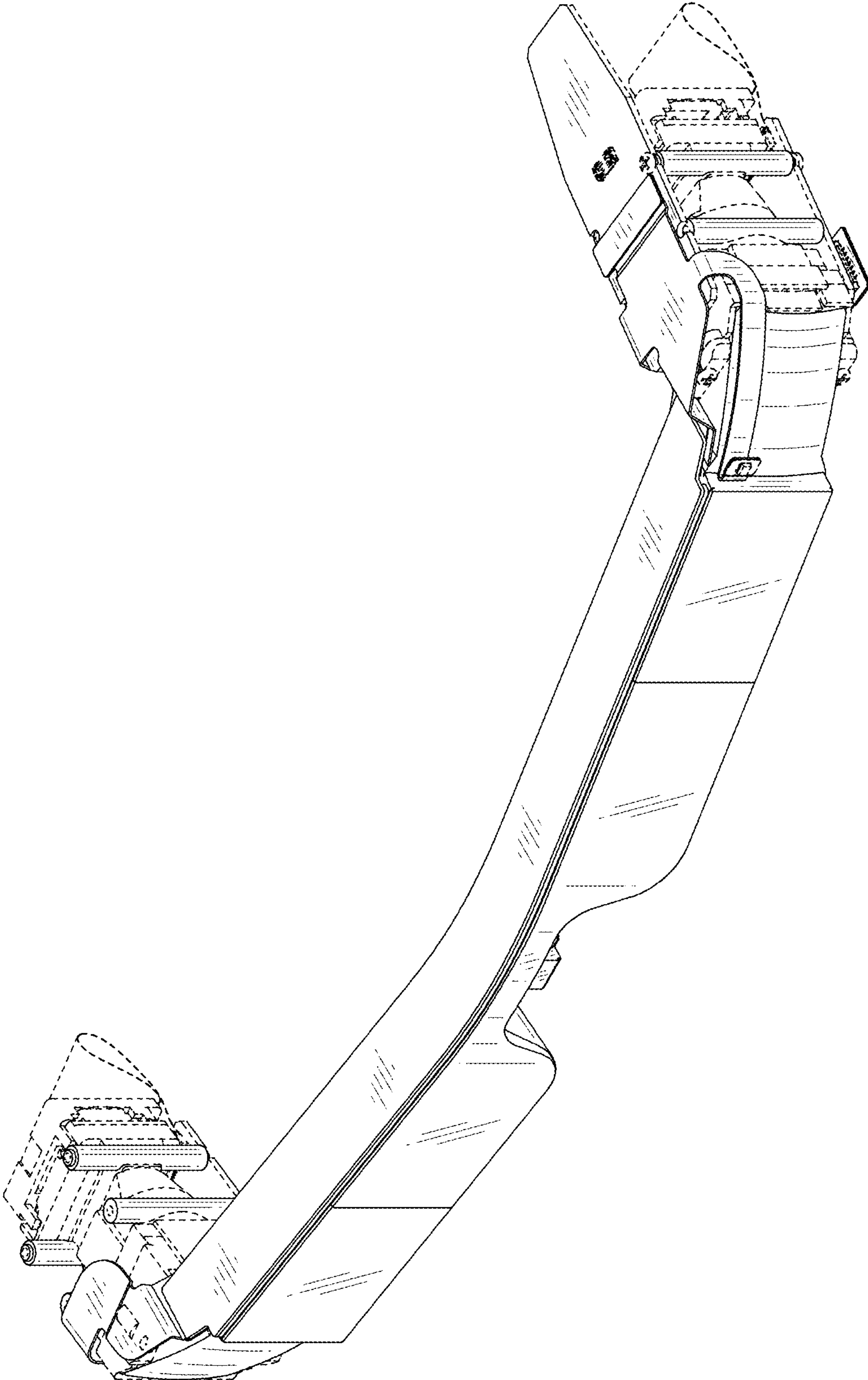


FIG.1

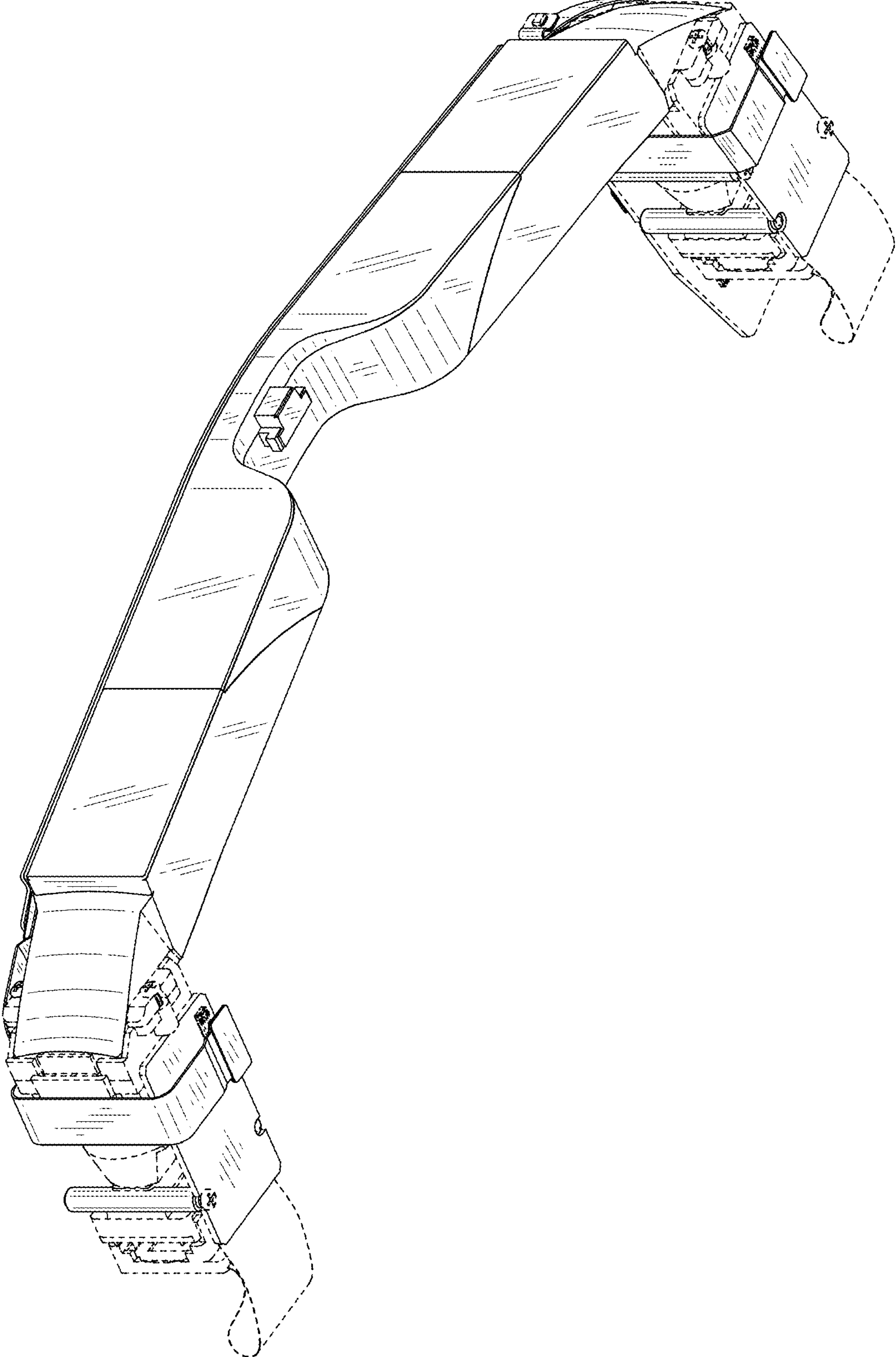


FIG.2

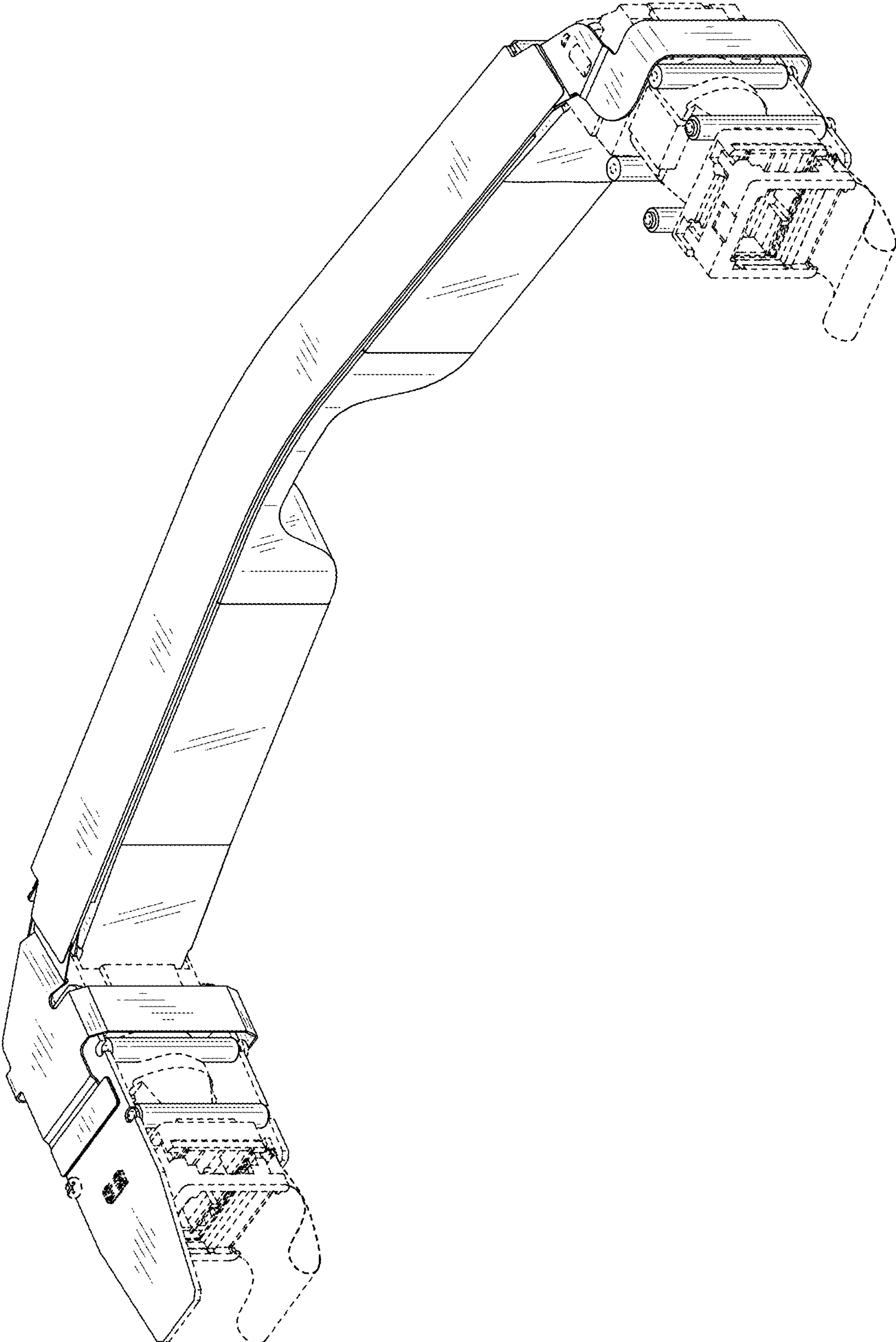


FIG.3

FIG.4

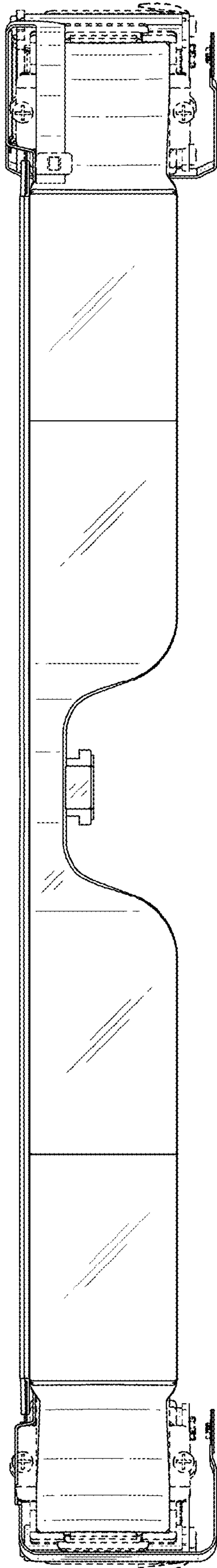
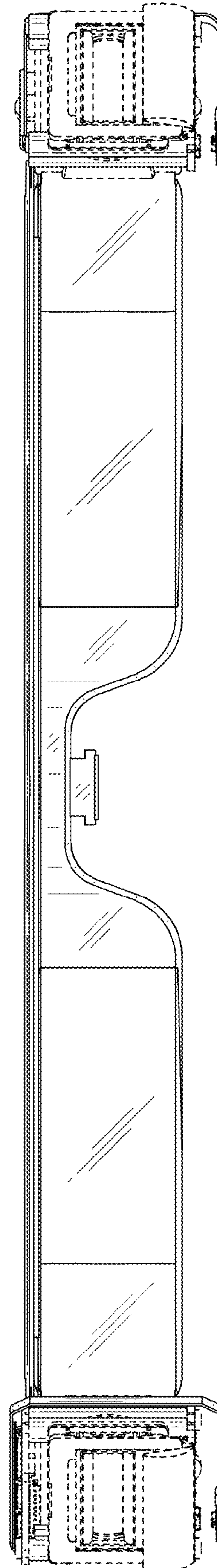


FIG.5



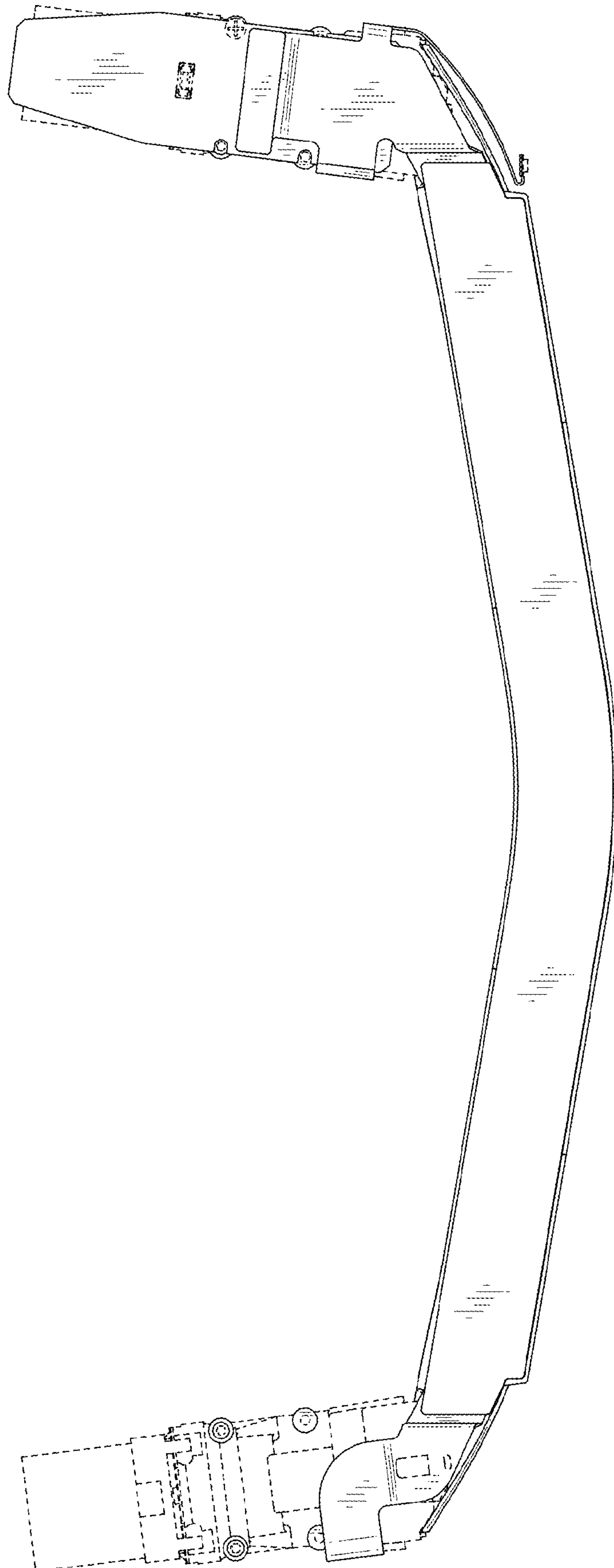


FIG. 6

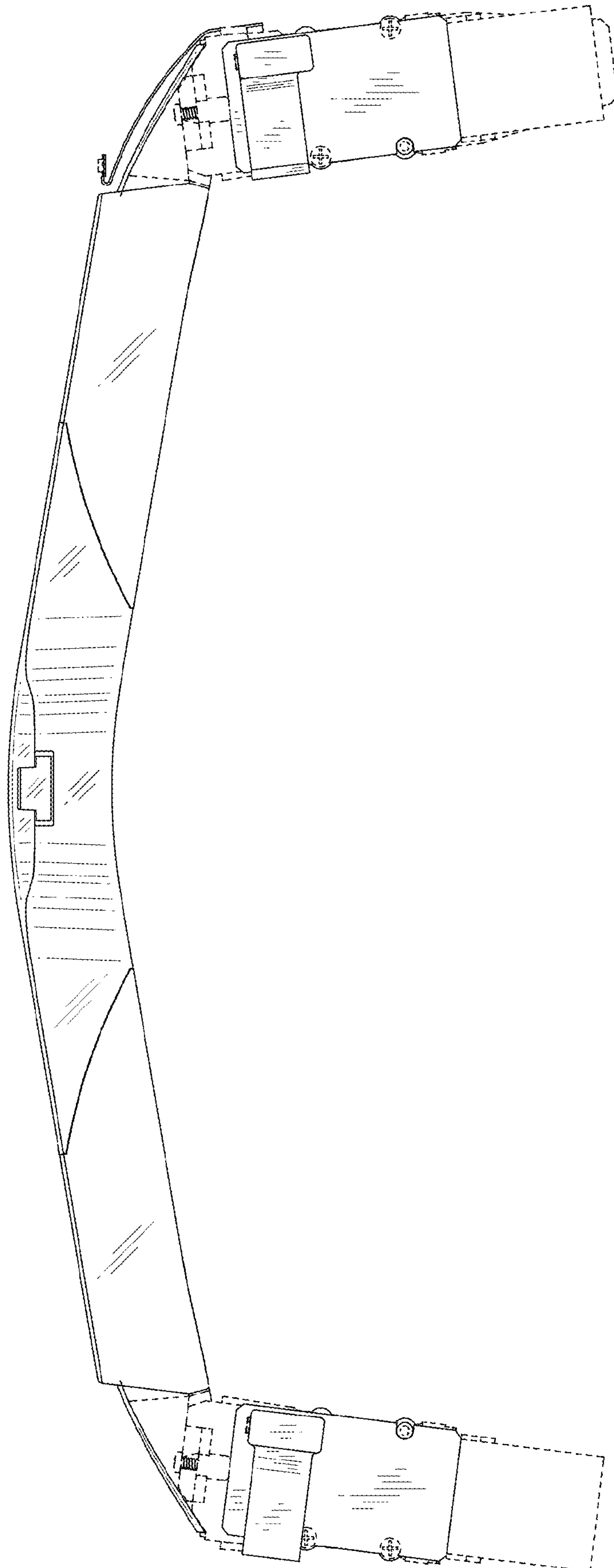


FIG.7

FIG.8

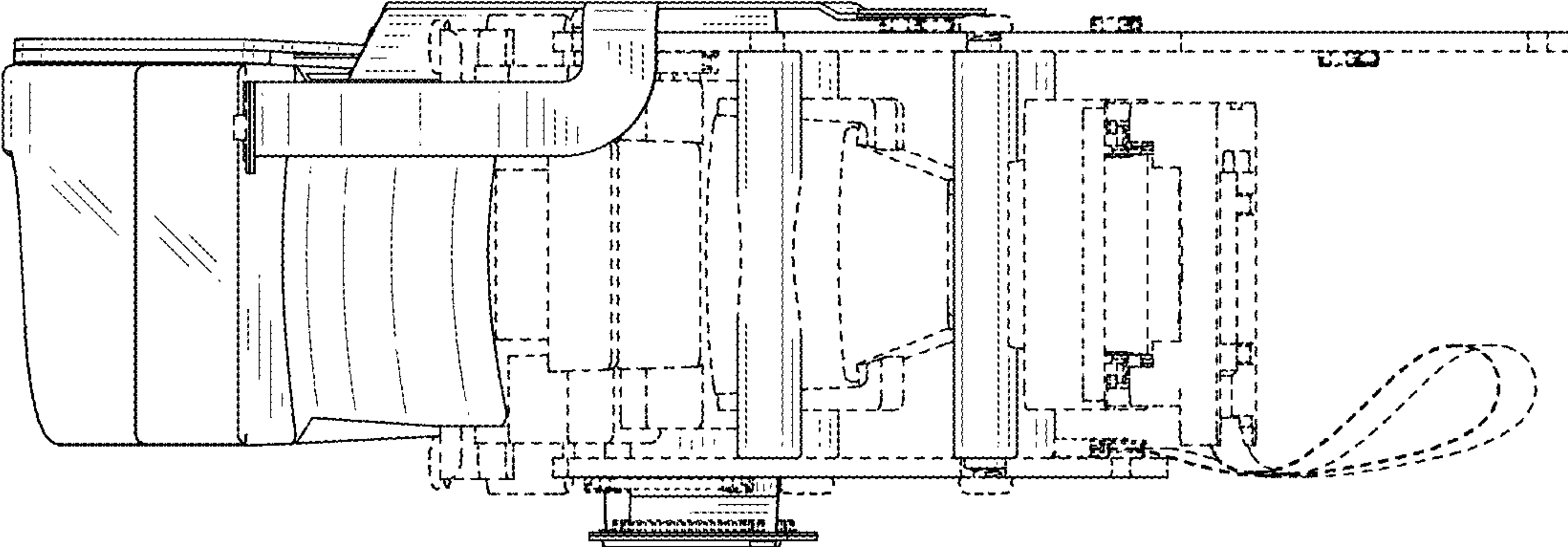


FIG.9

