



US00D940704S

(12) **United States Design Patent**  
**Weng**

(10) **Patent No.:** **US D940,704 S**  
(45) **Date of Patent:** **\*\* Jan. 11, 2022**

(54) **CASING WITH BAND FOR WRIST WEARABLE DEVICE**

H04M 1/6058; Y02B 60/1217; A44C 5/0007; A44C 5/0015; A44C 5/0023; A44C 5/0084

(71) Applicant: **SHENZHEN GUANGYIPENG TECHNOLOGY CO., LTD**, Shenzhen (CN)

See application file for complete search history.

(72) Inventor: **Jie Weng**, Shenzhen (CN)

(56) **References Cited**

(73) Assignee: **SHENZHEN GUANGYIPENG TECHNOLOGY CO., LTD**, Shenzhen (CN)

U.S. PATENT DOCUMENTS

(\*\*) Term: **15 Years**

D418,429 S \* 1/2000 Goto ..... D10/30  
D672,265 S \* 12/2012 Pulli ..... D10/128  
D913,812 S \* 3/2021 Horii ..... D10/39  
2011/0309116 A1\* 12/2011 Shindo ..... A44B 11/24  
224/164  
2020/0310352 A1\* 10/2020 Yasuda ..... G04B 37/225

(21) Appl. No.: **29/732,440**

\* cited by examiner

(22) Filed: **Apr. 24, 2020**

*Primary Examiner* — Samantha Q Lawrence  
*Assistant Examiner* — Holly M Rodriguez

(51) **LOC (13) Cl.** ..... **14-02**

(52) **U.S. Cl.**  
USPC ..... **D14/344; D10/32**

(57) **CLAIM**

The ornamental design for a casing with band for wrist wearable device, as shown and described.

(58) **Field of Classification Search**

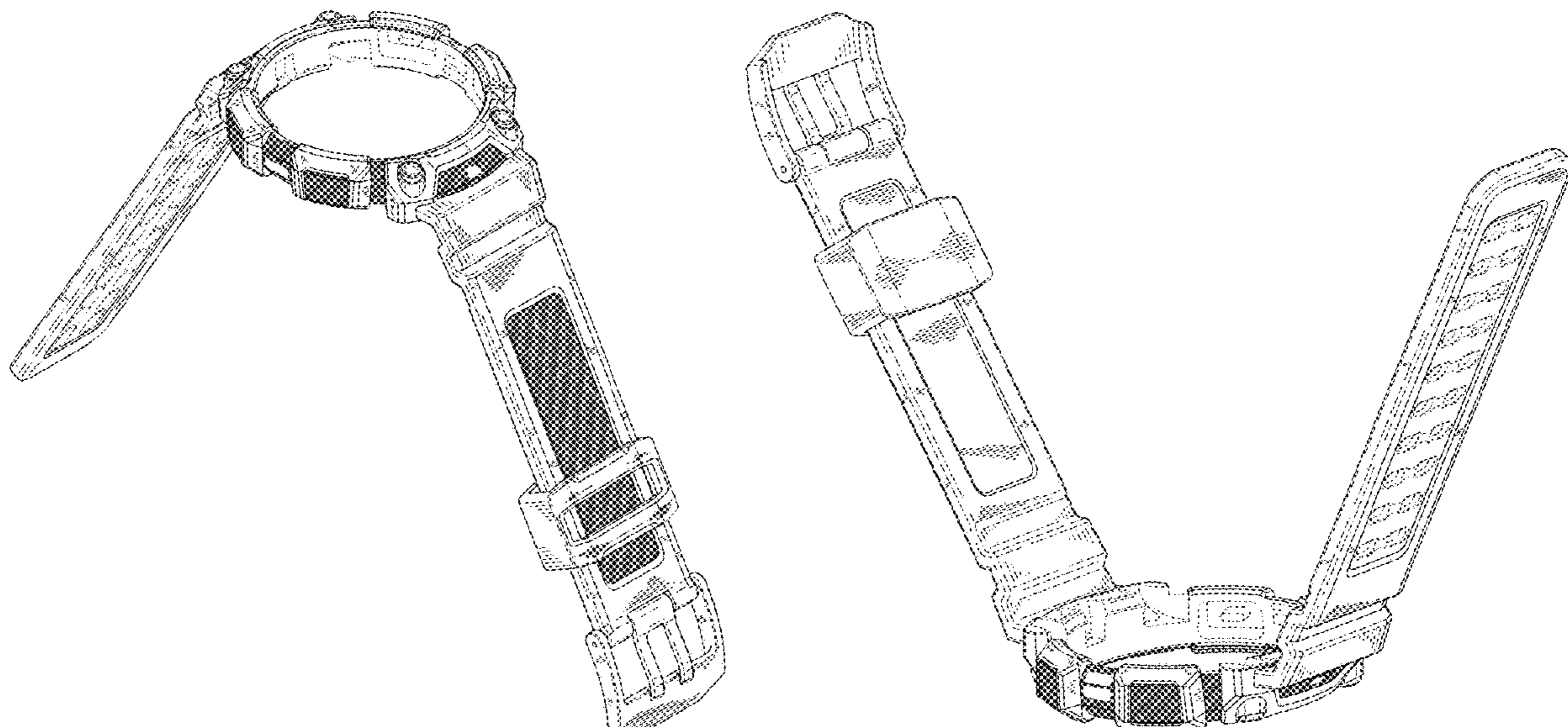
**DESCRIPTION**

USPC ... D14/126–130, 138, 138 R, 144, 300, 341, D14/344, 358, 388, 485–495, 218; D10/30–39, 40, 41, 46, 70, 79, 98, 106.5, D10/106.6, 106.92, 106.94, 114.6, 123, D10/125–128, 131; D11/1–4, 26, 40–41, D11/93, 94, 78.1, 79, 86; D24/167–169, D24/186–187, 164; D21/324–329  
CPC ..... A41D 1/002; A41D 19/0034; G06F 1/08; G06F 1/10; G06F 1/14; G06F 1/1626; G06F 1/1628; G06F 1/163; G06F 1/1635; G06F 1/3203; G06F 1/1613; G06F 2200/1633; G06F 3/0488; G06F 3/04886; G06F 3/044; G06F 3/0412; G06F 3/0416; G06F 1/3215; G06F 2203/04102; G06Q 20/10; G06Q 20/12; G06Q 20/108; G06Q 20/145; H04B 1/3833; H04B 1/385; H04B 1/3888; H04M 1/02; H04M 1/03; H04M 1/04; H04M 1/05; H04M 1/667;

FIG. 1 is a perspective view of a casing with band for wrist wearable device showing my new design; FIG. 2 is another perspective view thereof; FIG. 3 is a front view thereof; FIG. 4 is a rear view thereof; FIG. 5 is a left side view thereof; FIG. 6 is a right side view thereof; FIG. 7 is a top view thereof; FIG. 8 is a bottom view thereof; and, FIG. 9 is an enlarged view of the encircled portion 9 in FIG. 7.

The broken lines in the drawings illustrate portions of the casing with band for wrist wearable device which form no part of the claimed design.

**1 Claim, 9 Drawing Sheets**



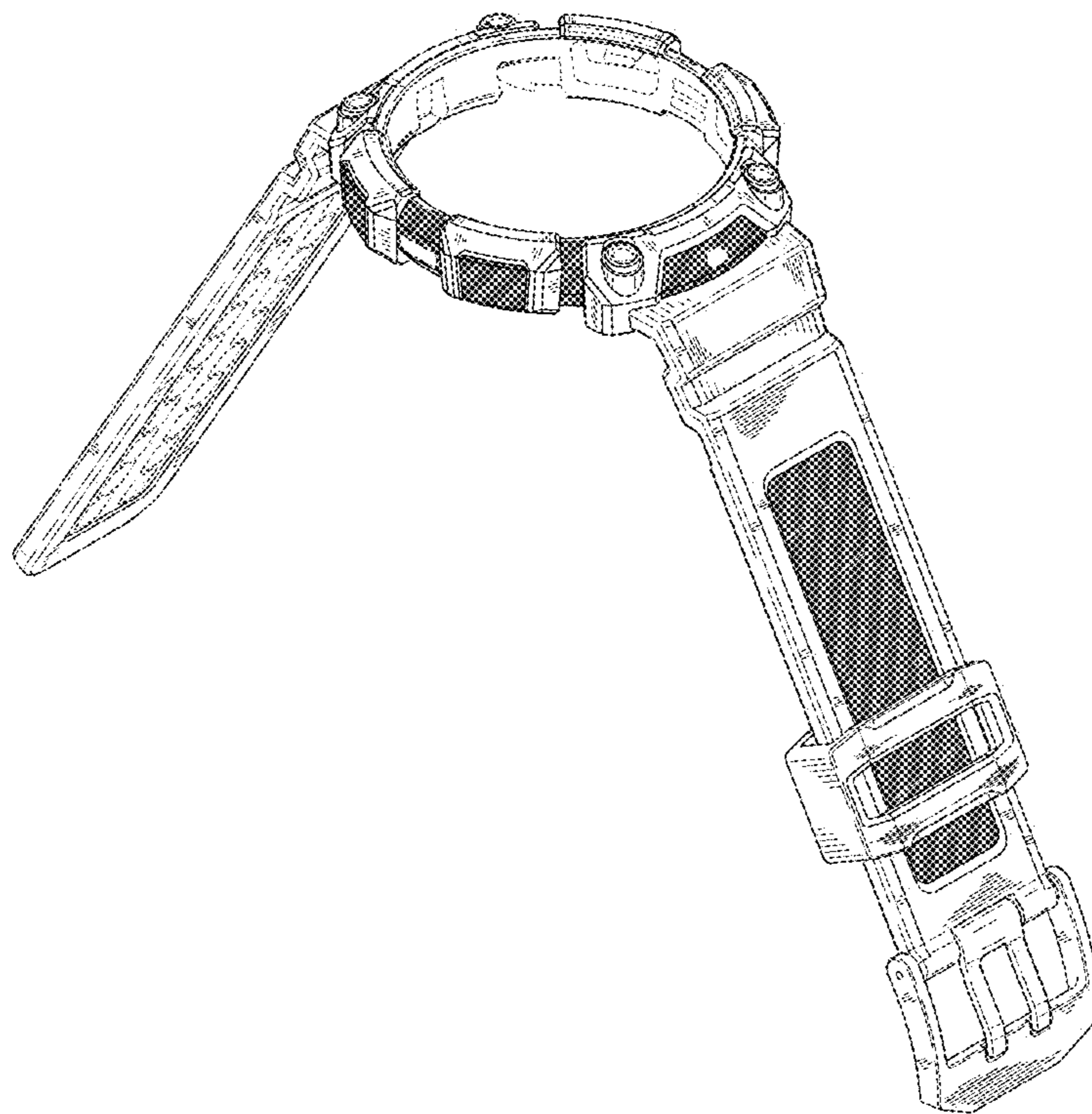


Fig. 1

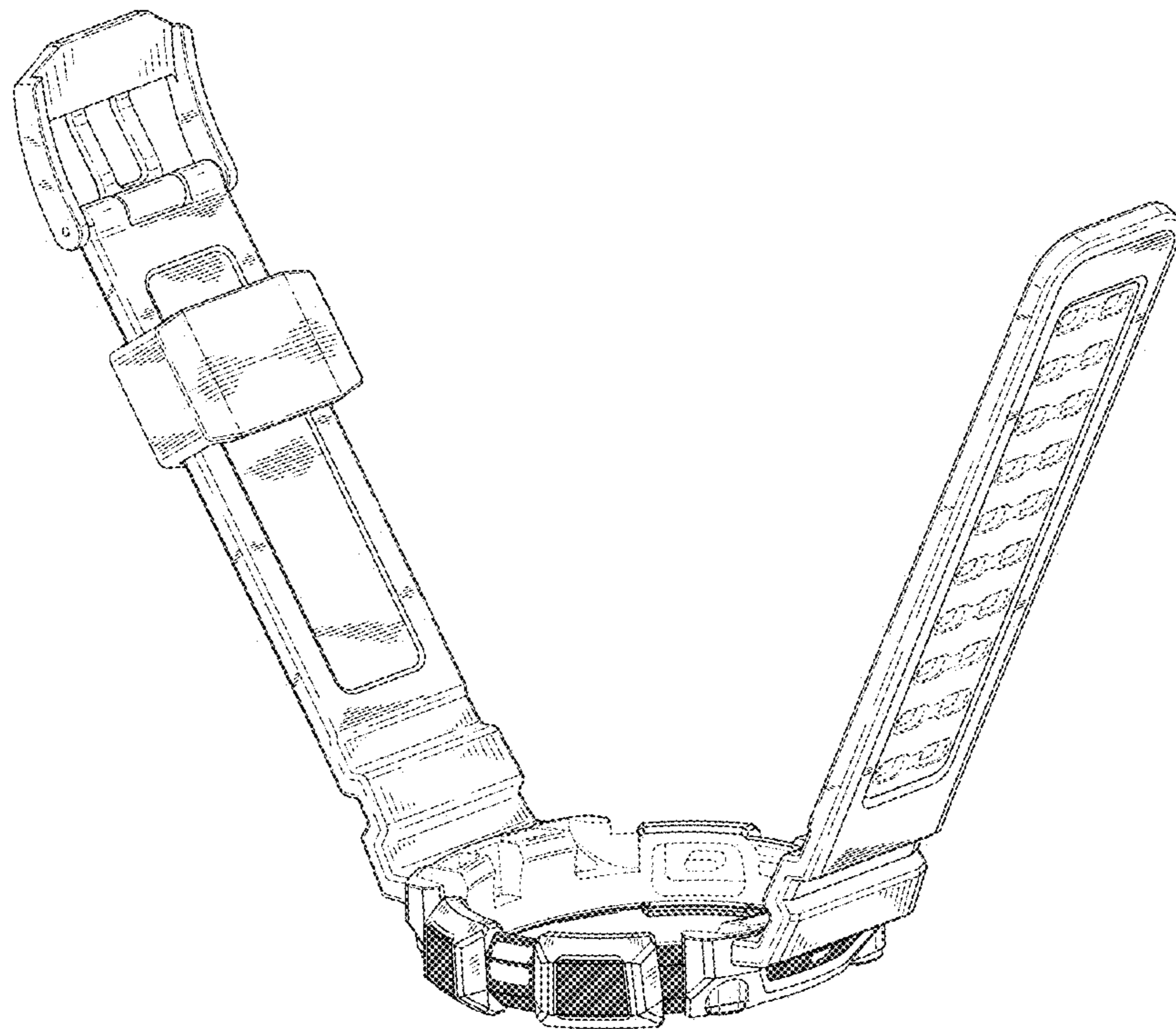


Fig. 2

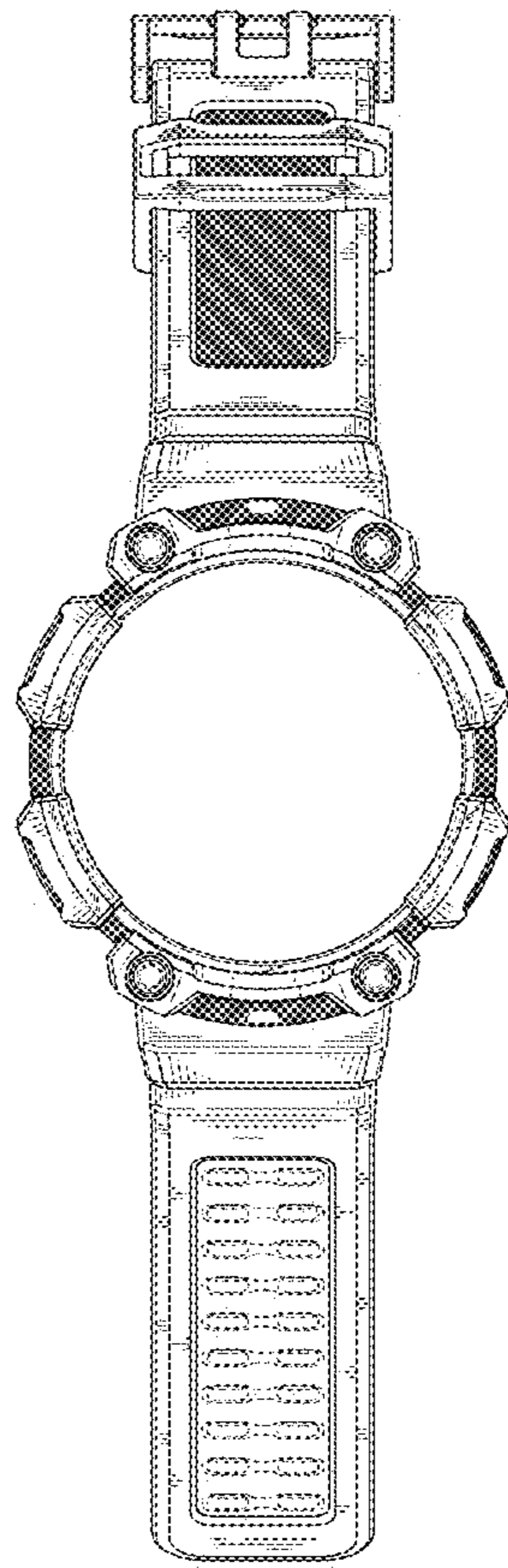


Fig. 3

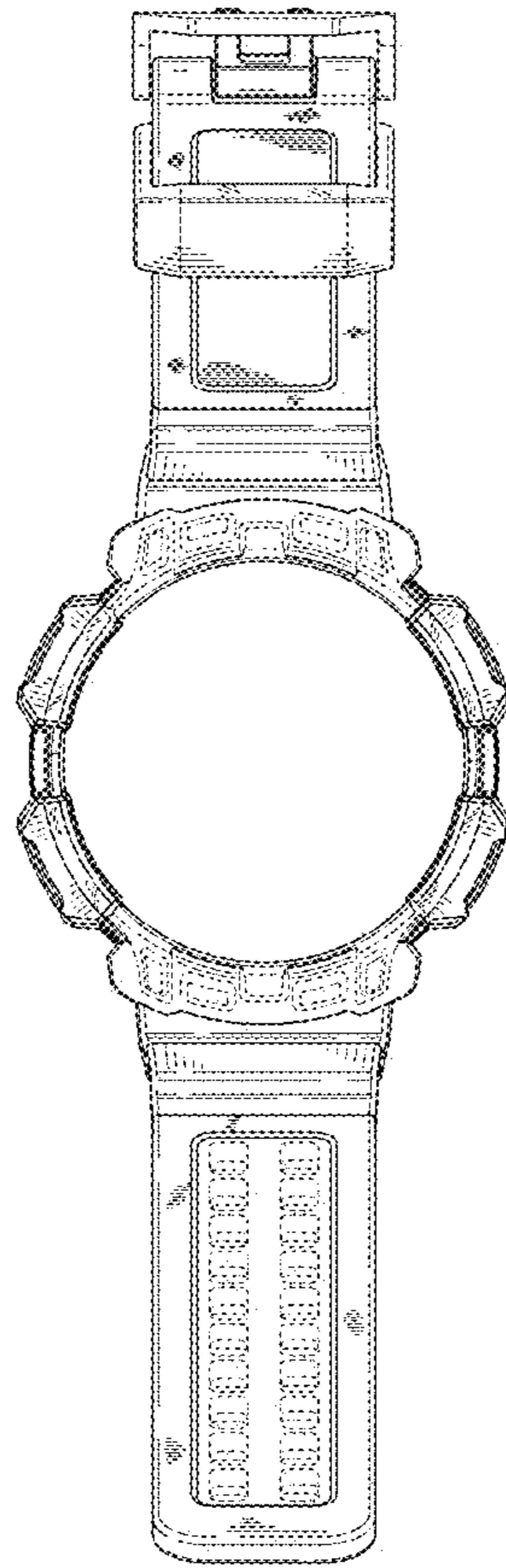


Fig. 4

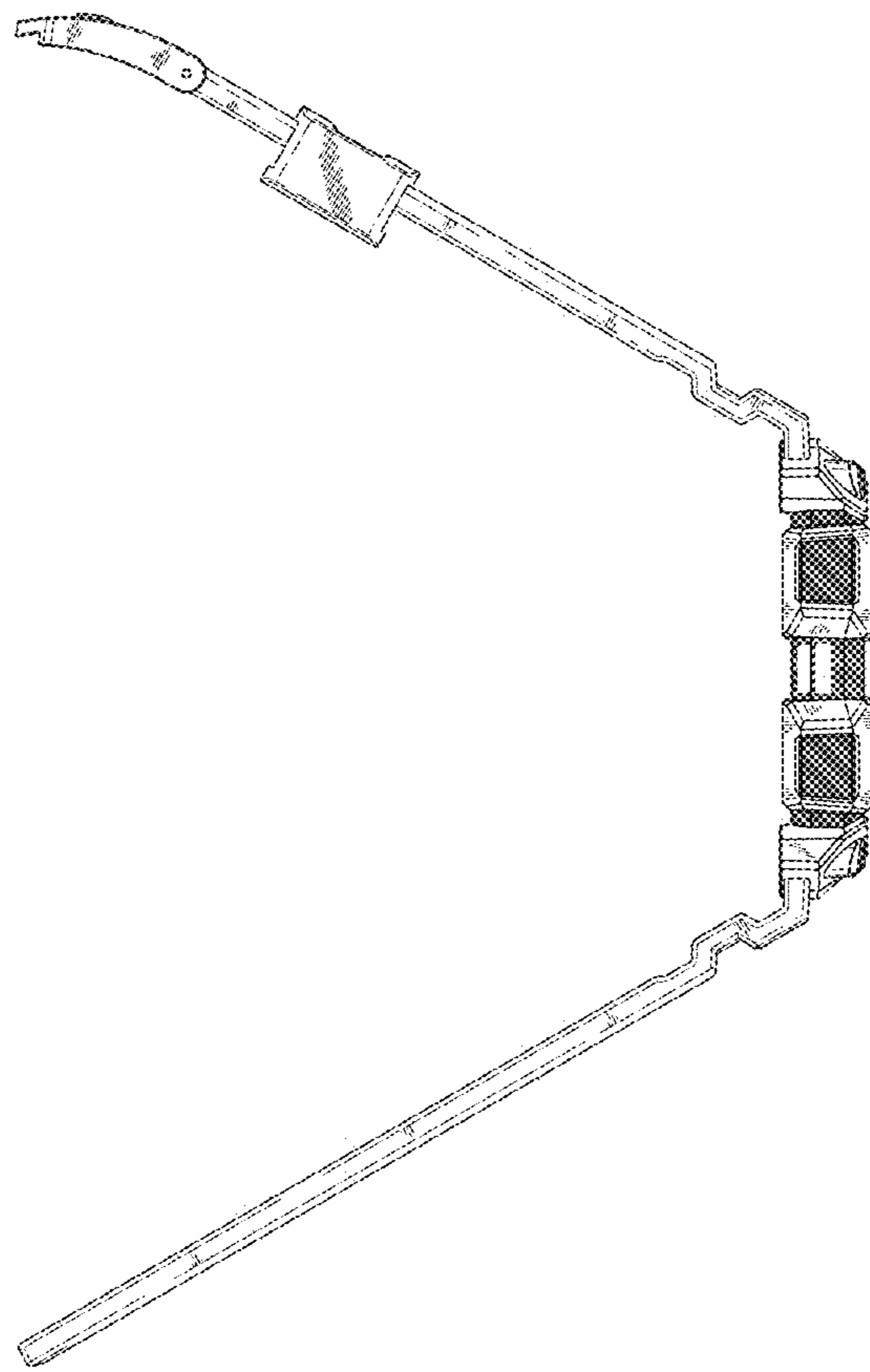


Fig. 5

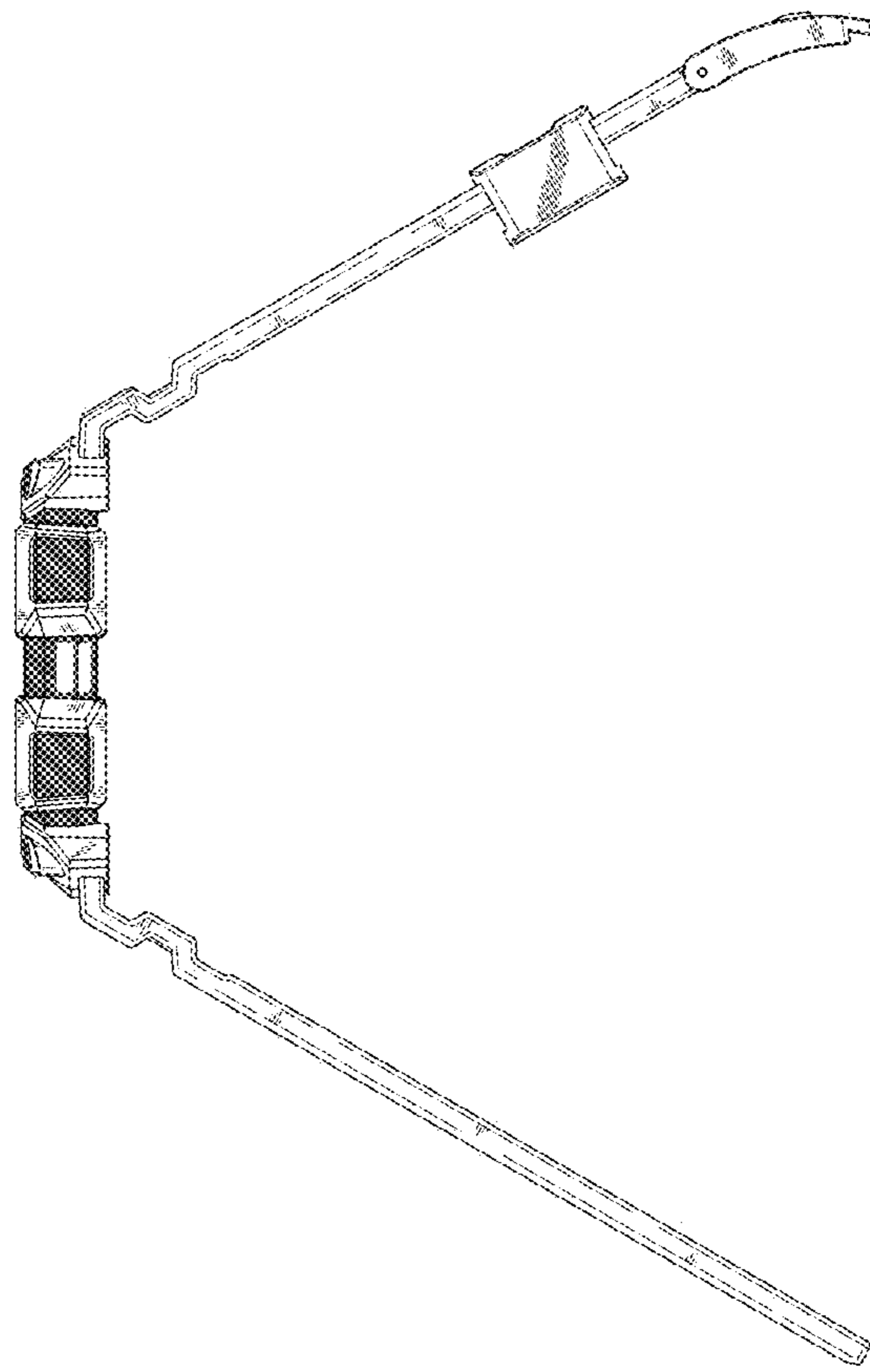


Fig. 6

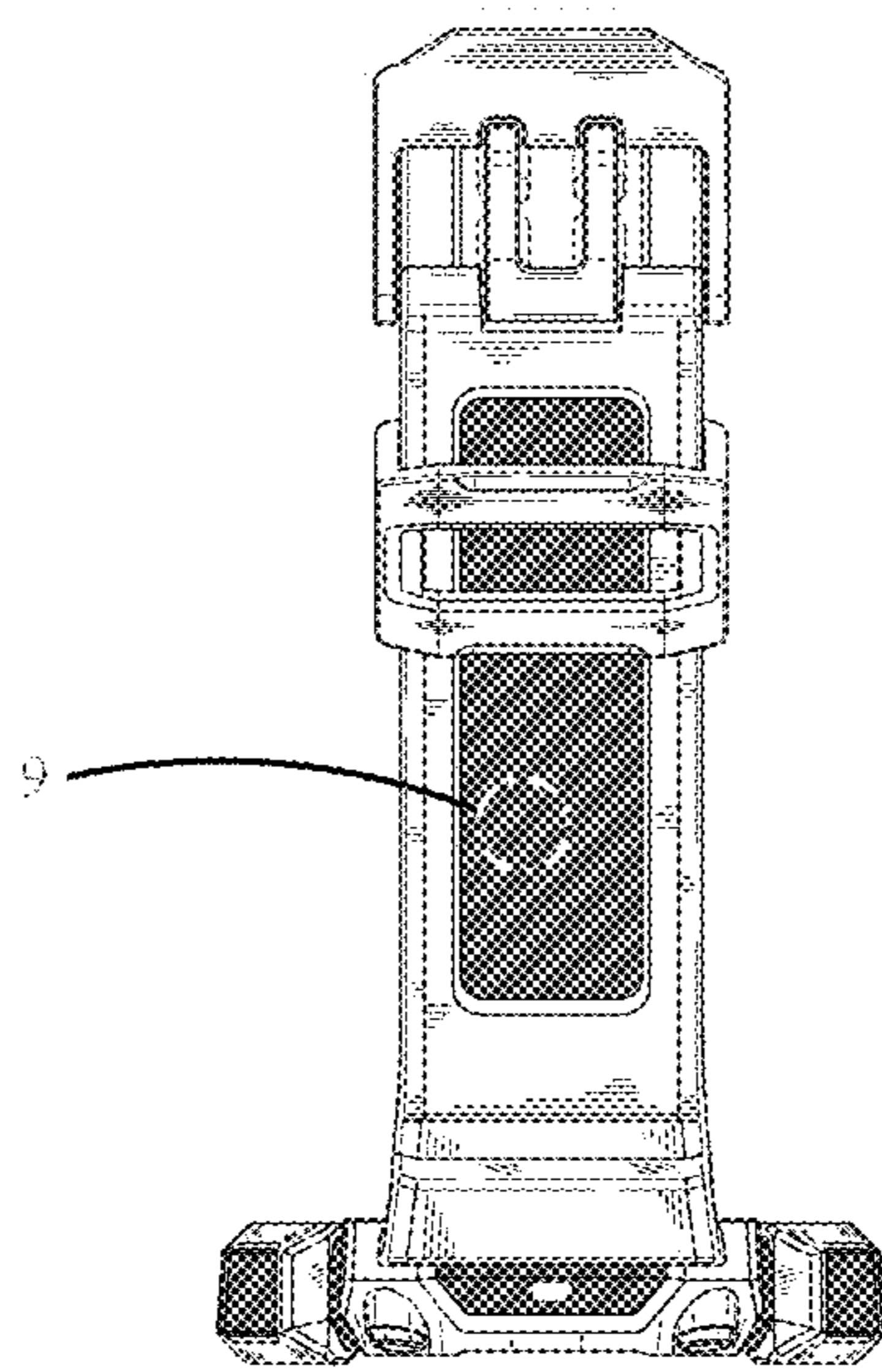


Fig. 7



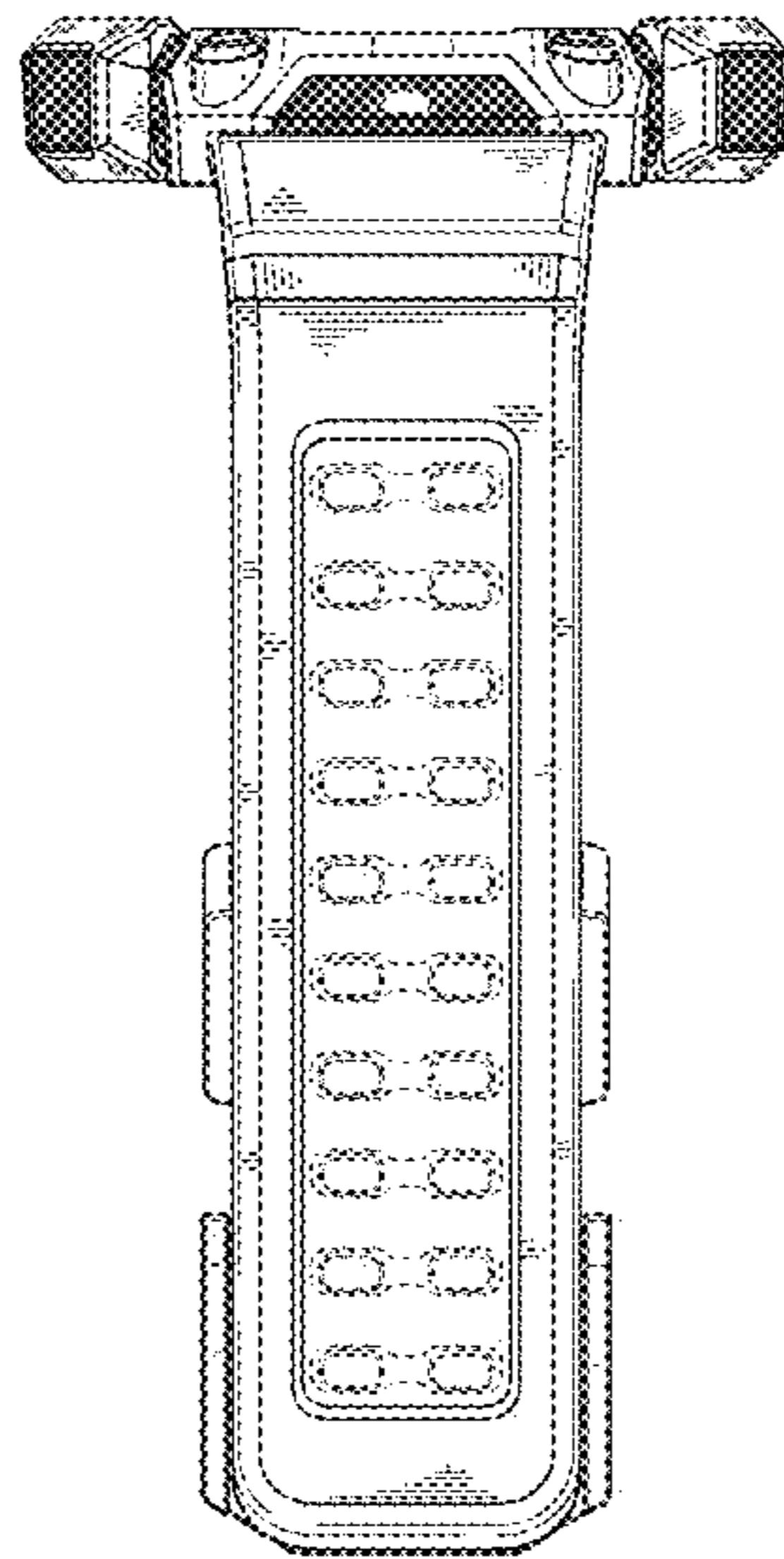


Fig. 8

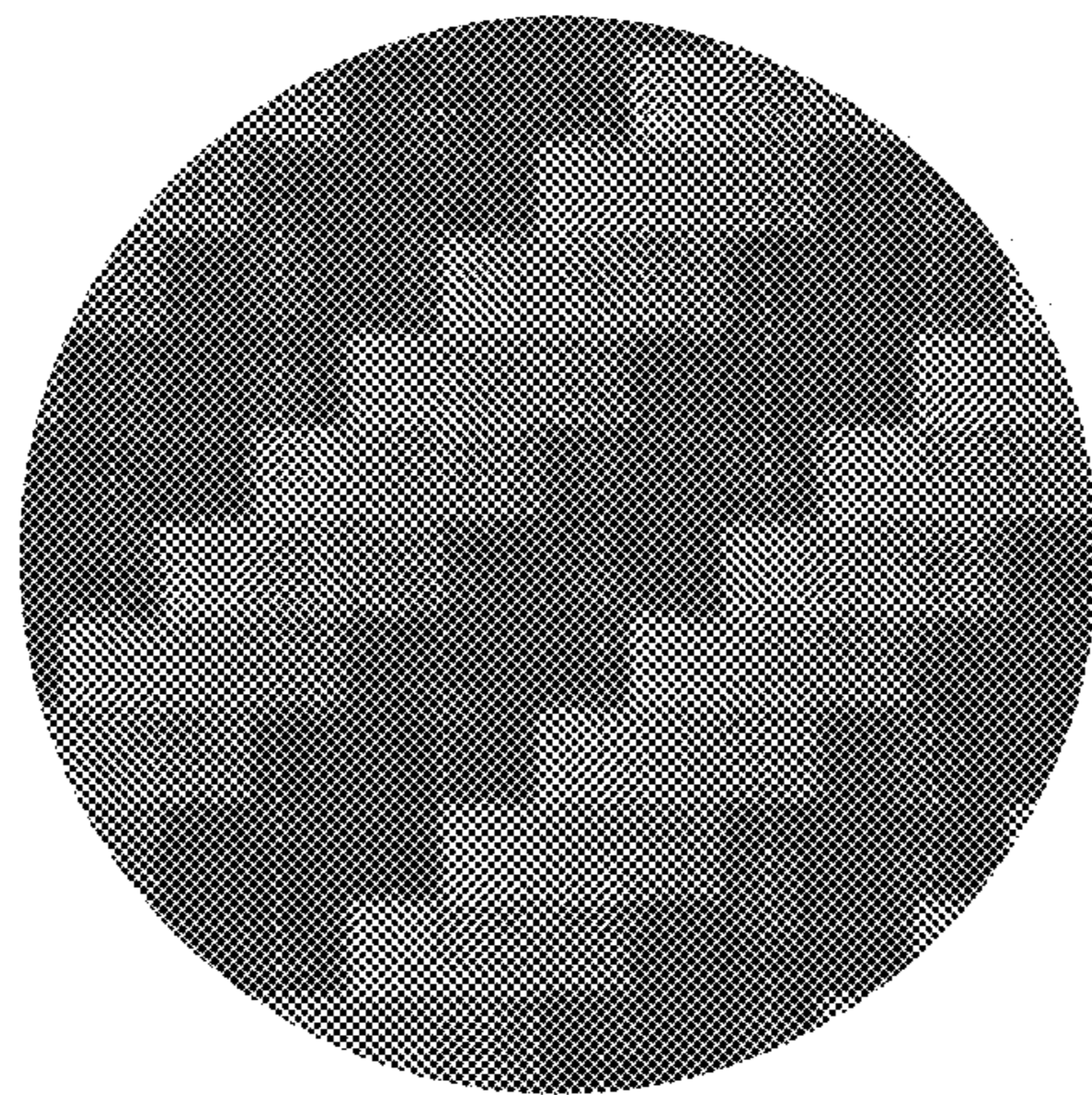


Fig. 9