



US00D940703S

(12) **United States Design Patent**  
**Solberg et al.**

(10) **Patent No.:** **US D940,703 S**  
(45) **Date of Patent:** **\*\* Jan. 11, 2022**

- (54) **TABLET COMPUTER**
- (71) Applicant: **REMARKABLE AS**, Oslo (NO)
- (72) Inventors: **Mats Herding Solberg**, Oslo (NO);  
**Magnus Haug Wanberg**, Oslo (NO)
- (73) Assignee: **REMARKABLE AS**, Oslo (NO)
- (\*\*) Term: **15 Years**
- (21) Appl. No.: **29/799,690**
- (22) Filed: **Jul. 15, 2021**

**Related U.S. Application Data**

- (63) Continuation of application No. 29/714,194, filed on Nov. 21, 2019, now Pat. No. Des. 928,145.
- (51) **LOC (13) Cl.** ..... **14-02**
- (52) **U.S. Cl.**  
USPC ..... **D14/341**
- (58) **Field of Classification Search**  
USPC ..... D14/341, 388-389, 371, 374, 420, 426,  
D14/129-130, 315-318, 342-347, 496;  
D21/324, 329; D24/186; D10/104.4, 50,  
D10/65, 74  
CPC ..... G06F 1/16; G06F 1/1632; G06F 1/1616;  
G06F 1/1626; G06F 1/1658; G06F  
1/1688; G06F 1/1613; G06F 2200/1633;  
G06F 3/0488; G06F 3/04886; G06F  
3/044; G06F 3/0412; G06F 3/0416;  
H01M 10/44; H05K 7/1465; A45C  
2011/002; A45C 2011/003; H04B 1/3888;  
H04M 1/185  
See application file for complete search history.

(56) **References Cited**

**U.S. PATENT DOCUMENTS**

- D645,465 S \* 9/2011 Lin ..... D14/341
- D689,482 S \* 9/2013 Akana ..... D14/341
- D702,229 S \* 4/2014 Lim ..... D14/341
- D705,775 S 5/2014 Canizares et al.

- D711,371 S \* 8/2014 Chen ..... D14/341
- D750,621 S 3/2016 Loor Canizares et al.
- D786,238 S \* 5/2017 Roberts ..... D14/341
- D795,249 S 8/2017 Wall et al.
- D801,330 S 10/2017 Morgan
- D804,470 S \* 12/2017 Hallar ..... D14/341
- D807,348 S 1/2018 Wang et al.
- D810,075 S 2/2018 Liu
- D810,745 S \* 2/2018 Luo ..... D14/389
- D835,097 S 12/2018 Morgan
- D839,266 S 1/2019 Chang et al.

(Continued)

**OTHER PUBLICATIONS**

Kozlowski, M. "The Remarkable 2 Will be Released in June for \$399." GoodEReader.com, 10 pages, Mar. 17, 2020, [Online] [Retrieved Oct. 27, 2020], Retrieved from the Internet <URL:https://goodereader.com/blog/electronic-readers/the-remarkable-2-will-be-released-in-june-for-399>.

(Continued)

*Primary Examiner* — Samantha Q Lawrence  
*Assistant Examiner* — Holly M Rodriguez  
(74) *Attorney, Agent, or Firm* — Fenwick & West LLP

(57) **CLAIM**

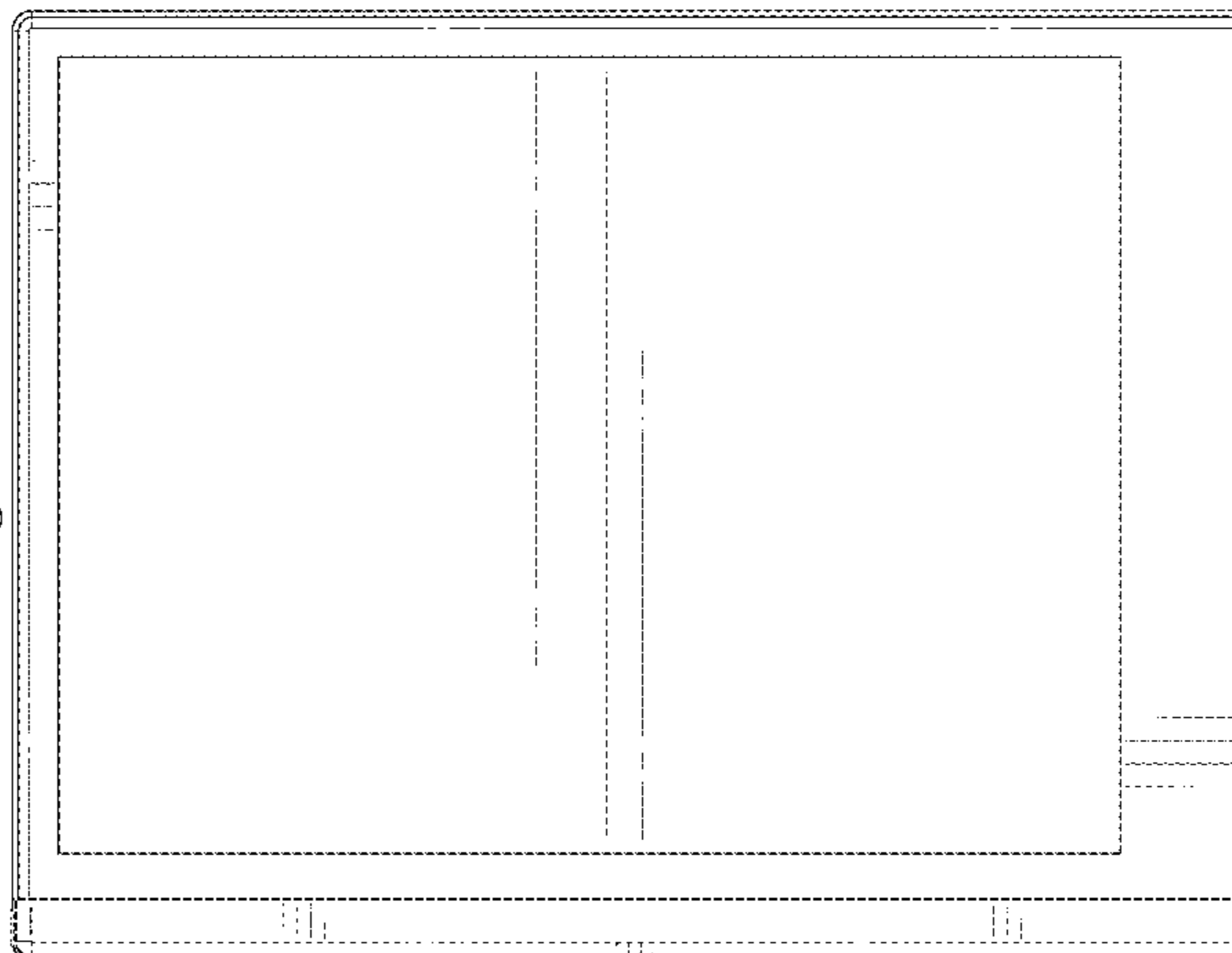
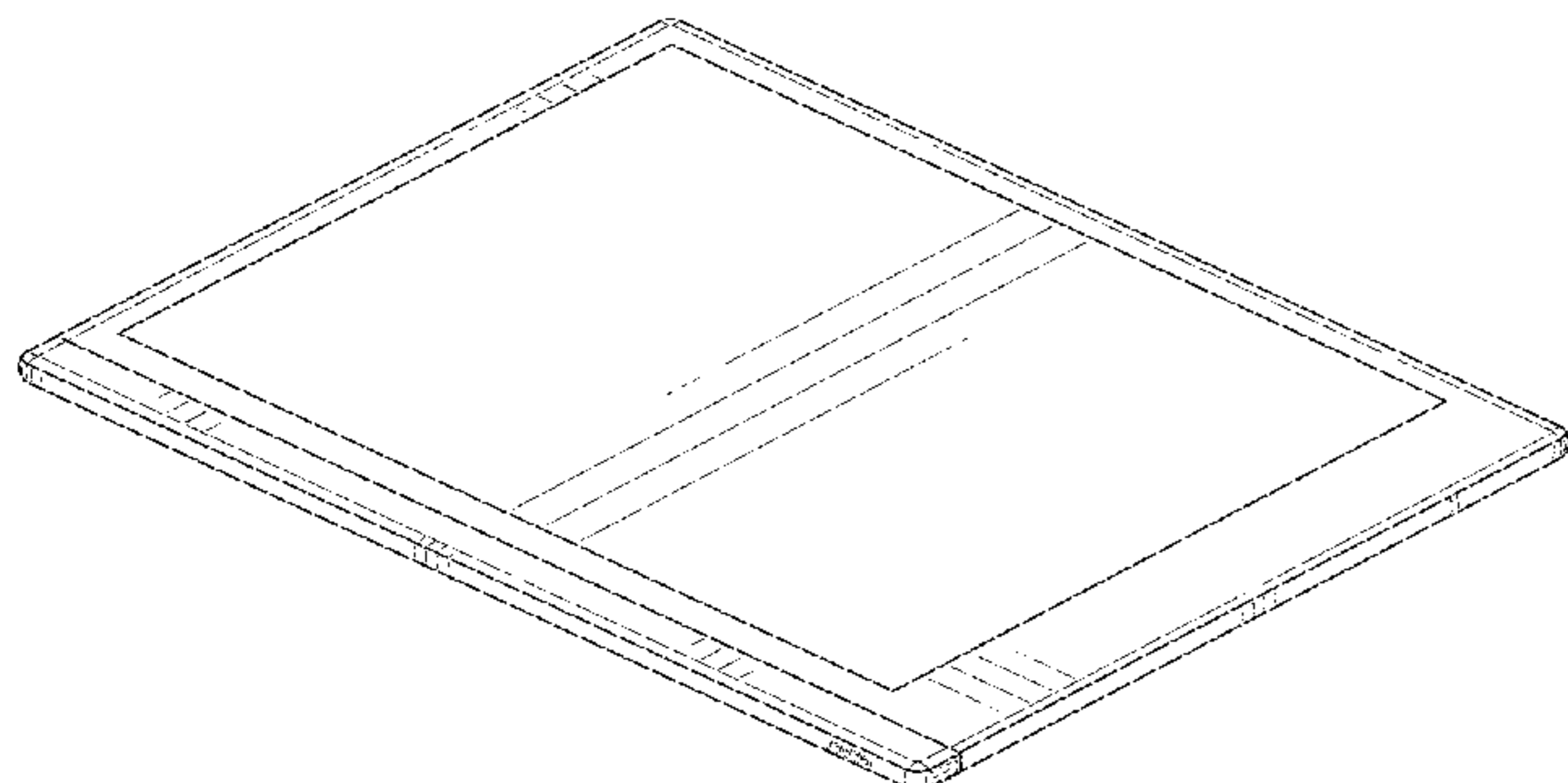
The ornamental design for a tablet computer, as shown and described.

**DESCRIPTION**

FIG. 1 is a front and left perspective view of a tablet computer;  
FIG. 2 is a front view thereof;  
FIG. 3 is a rear view thereof;  
FIG. 4 is a top view thereof;  
FIG. 5 is a bottom view thereof;  
FIG. 6 is a right view thereof; and,  
FIG. 7 is a left view thereof.

The broken lines in the drawings illustrate portions of the tablet computer that form no part of the claimed design.

**1 Claim, 7 Drawing Sheets**



(56)

**References Cited**

U.S. PATENT DOCUMENTS

D842,852 S	3/2019	Kim et al.	
D852,794 S *	7/2019	Huebner .....	D14/341
D856,322 S	8/2019	Huebner	
D867,452 S	11/2019	Morris	
D901,486 S *	11/2020	Moon .....	D14/341
D928,145 S *	8/2021	Solberg .....	D14/341
D928,146 S *	8/2021	Solberg .....	D14/341
2003/0034960 A1 *	2/2003	Li .....	G06F 3/046 345/179

OTHER PUBLICATIONS

Lenovo. "Lenovo Tab E 10 1" Android Tablet 2GB." Amazon.com, 13 pages, first available Feb. 8, 2019, [Online] [Retrieved Feb. 25, 2021], Retrieved from the Internet <URL:https://www.amazon.com/Lenovo-Tab-Android-Tablet-2GB/dp/B07NJK69YN>.

United States Office Action, U.S. Appl. No. 29/763,845, filed Mar. 4, 2021, eight pages.

United States Office Action, U.S. Appl. No. 29/714,194, filed Jan. 14, 2021, six pages.

\* cited by examiner

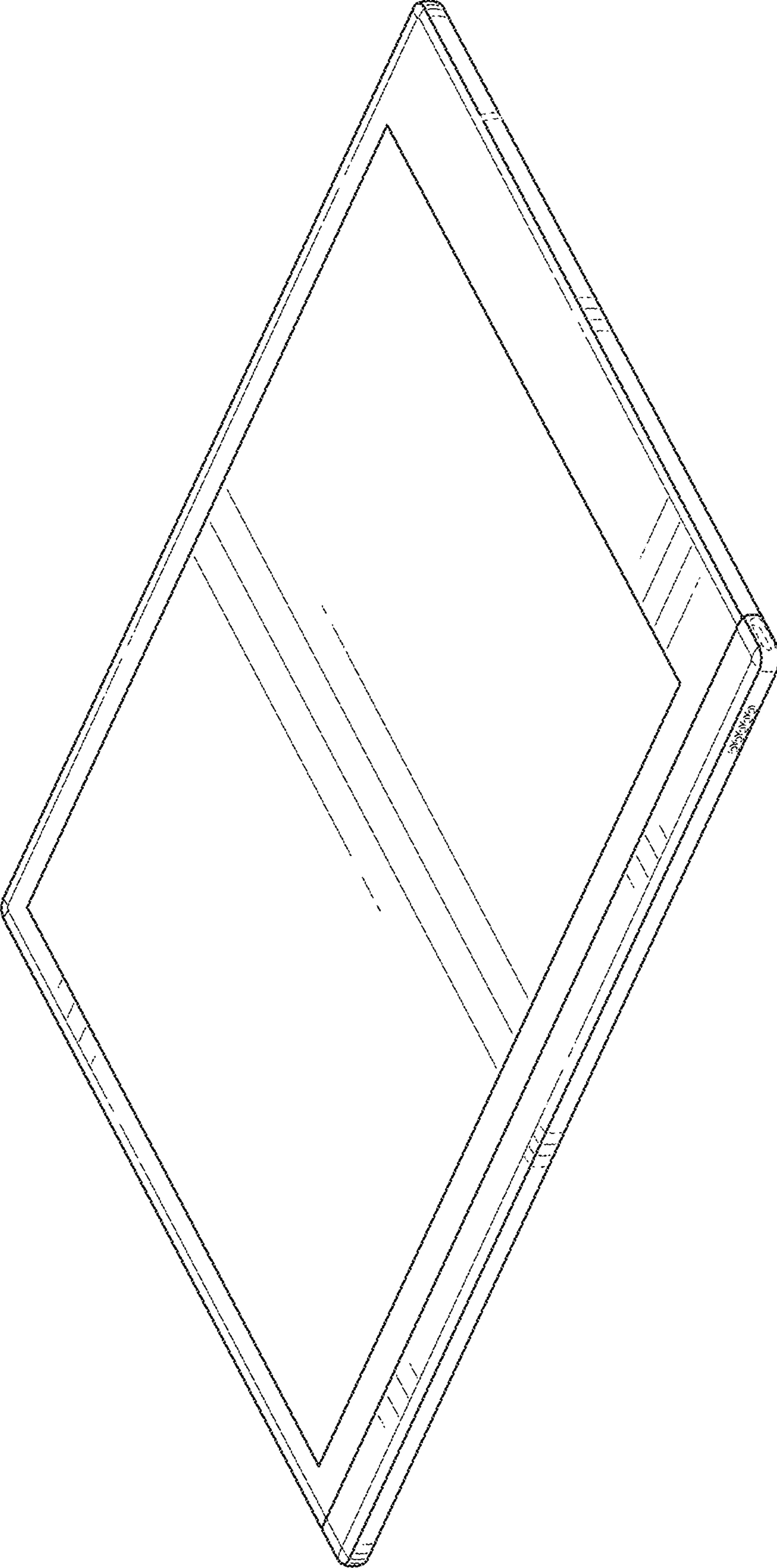


FIG. 1

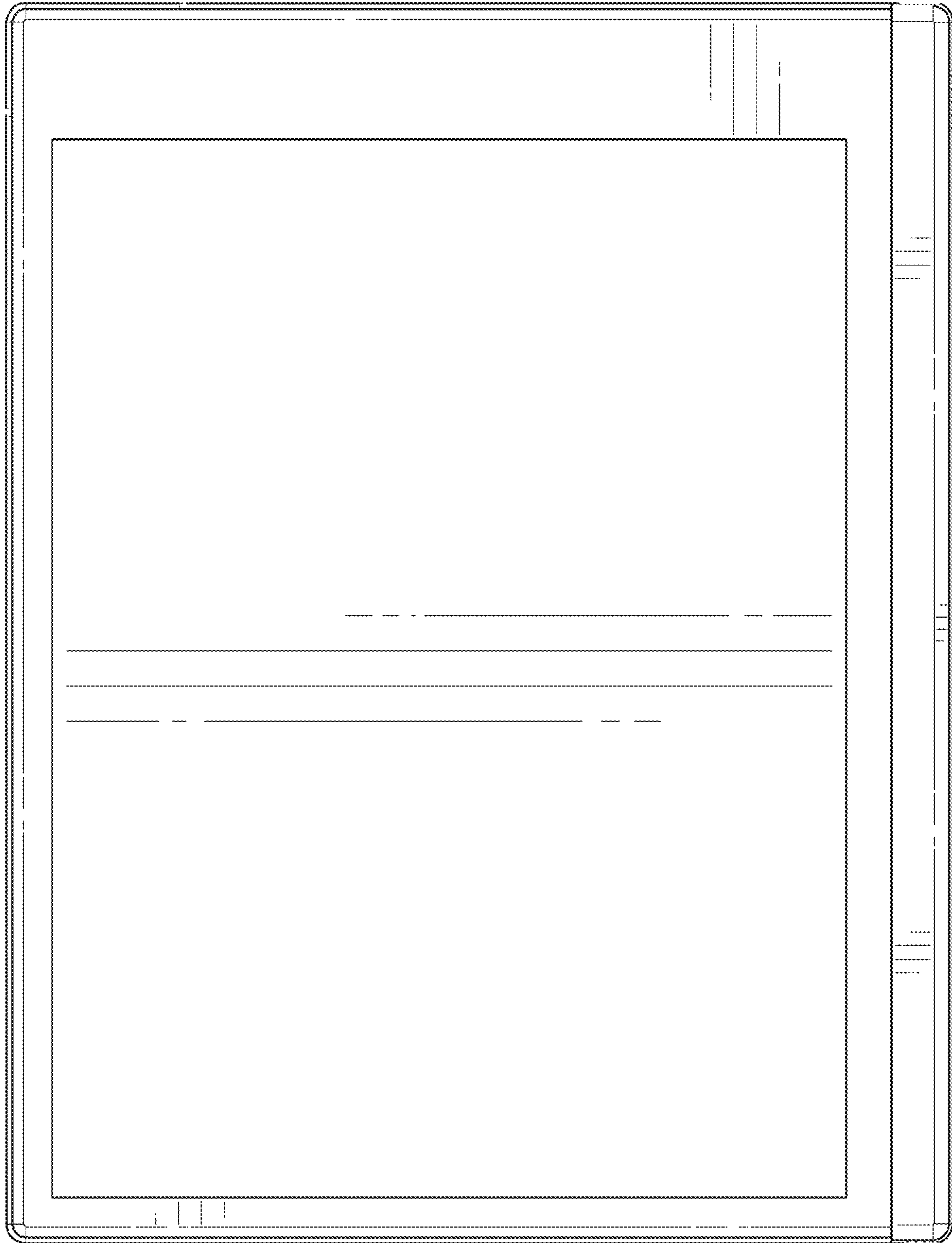


FIG. 2

FIG. 3

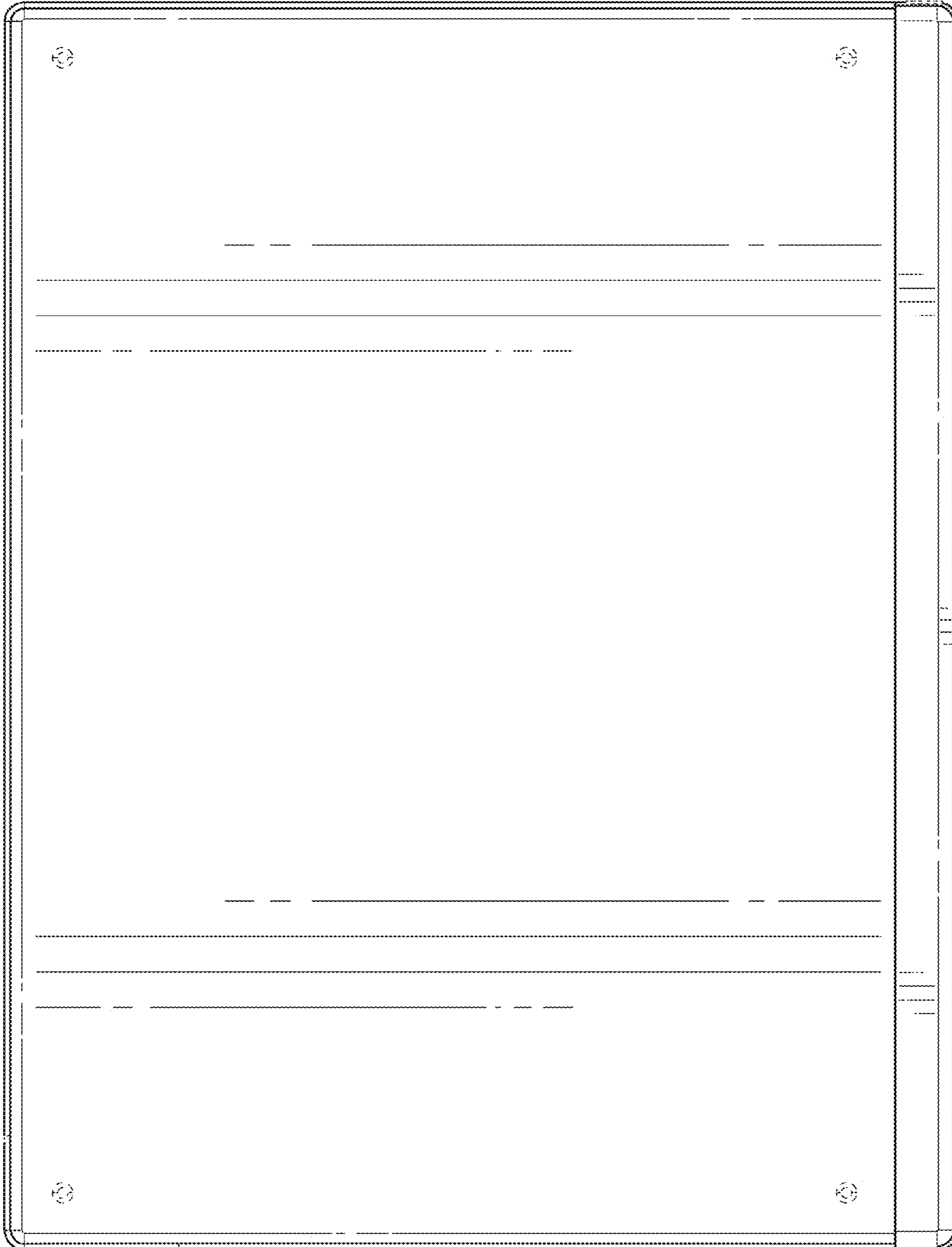




FIG. 4



FIG. 5

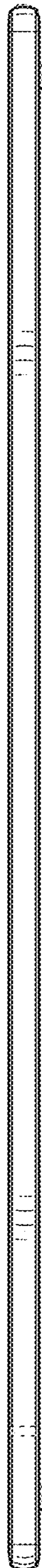


FIG. 6





FIG. 7