



US00D940700S

(12) **United States Design Patent**
Yongren

(10) **Patent No.:** **US D940,700 S**
(45) **Date of Patent:** **** Jan. 11, 2022**

(54) **HOLDER FOR ELECTRONIC DEVICE**

(71) Applicant: **Shenzhen Jinhaisheng Precision Technology Co., Ltd., Shenzhen (CN)**

(72) Inventor: **Pan Yongren, Shenzhen (CN)**

(**) Term: **15 Years**

(21) Appl. No.: **29/746,675**

(22) Filed: **Aug. 16, 2020**

(30) **Foreign Application Priority Data**

Mar. 23, 2020 (CN) 202030100774.8

(51) **LOC (13) Cl.** **14-99**

(52) **U.S. Cl.**
USPC **D14/253; D14/447**

(58) **Field of Classification Search**
USPC D14/251–253, 224, 224.1, 432–434, 447,
D14/451, 452; D12/415, 426.1, 114, 223;
D16/242, 244, 245; D10/74; D3/218;
D13/108
CPC B60R 11/00; B60R 11/02; B60R 11/0241;
B60R 11/0252; B60R 2011/0003; B60R
2011/0005; B60R 2011/0008; H04M
1/04; H04B 1/3877; A45F 2200/0516;
A45F 2200/0525; H05K 5/02; H05K
5/0204; H05K 7/00; F16M 13/02; F16M
13/022; F16M 11/00; F16M 11/04; F16M
11/041; F16M 11/06
See application file for complete search history.

(56) **References Cited**

U.S. PATENT DOCUMENTS

D614,613 S * 4/2010 Kim D14/253
D625,302 S * 10/2010 Kasuga D14/239
D690,306 S * 9/2013 Malisse D14/447
D723,011 S * 2/2015 Symons D14/224
D724,072 S * 3/2015 Jiang D14/253

D769,235 S * 10/2016 Li D14/253
D795,266 S * 8/2017 Williams D14/447
D799,467 S * 10/2017 Lou D14/253
D847,141 S * 4/2019 Williams D14/447
D865,747 S * 11/2019 Sage D14/253
D881,201 S * 4/2020 Lou D14/447
D884,711 S * 5/2020 Zhang D14/447
D898,017 S * 10/2020 Zhang D14/253
D902,217 S * 11/2020 Zhang D14/447
D903,689 S * 12/2020 Zheng D14/447
D904,387 S * 12/2020 Zhang D14/253
D905,686 S * 12/2020 Zhang D14/253
D915,359 S * 4/2021 Zhang D14/224
D916,686 S * 4/2021 Xie D14/224
D918,190 S * 5/2021 Hong D14/253
D920,981 S * 6/2021 Zhang D14/434
D922,361 S * 6/2021 Jin D14/224
D930,003 S * 9/2021 van Hooft D14/447
D930,004 S * 9/2021 van Hooft D14/447

(Continued)

FOREIGN PATENT DOCUMENTS

CN 305022843 * 2/2019
CN 305260868 * 7/2019

Primary Examiner — Rebekah A Caruso

(74) *Attorney, Agent, or Firm* — Rumit Ranjit Kanakia

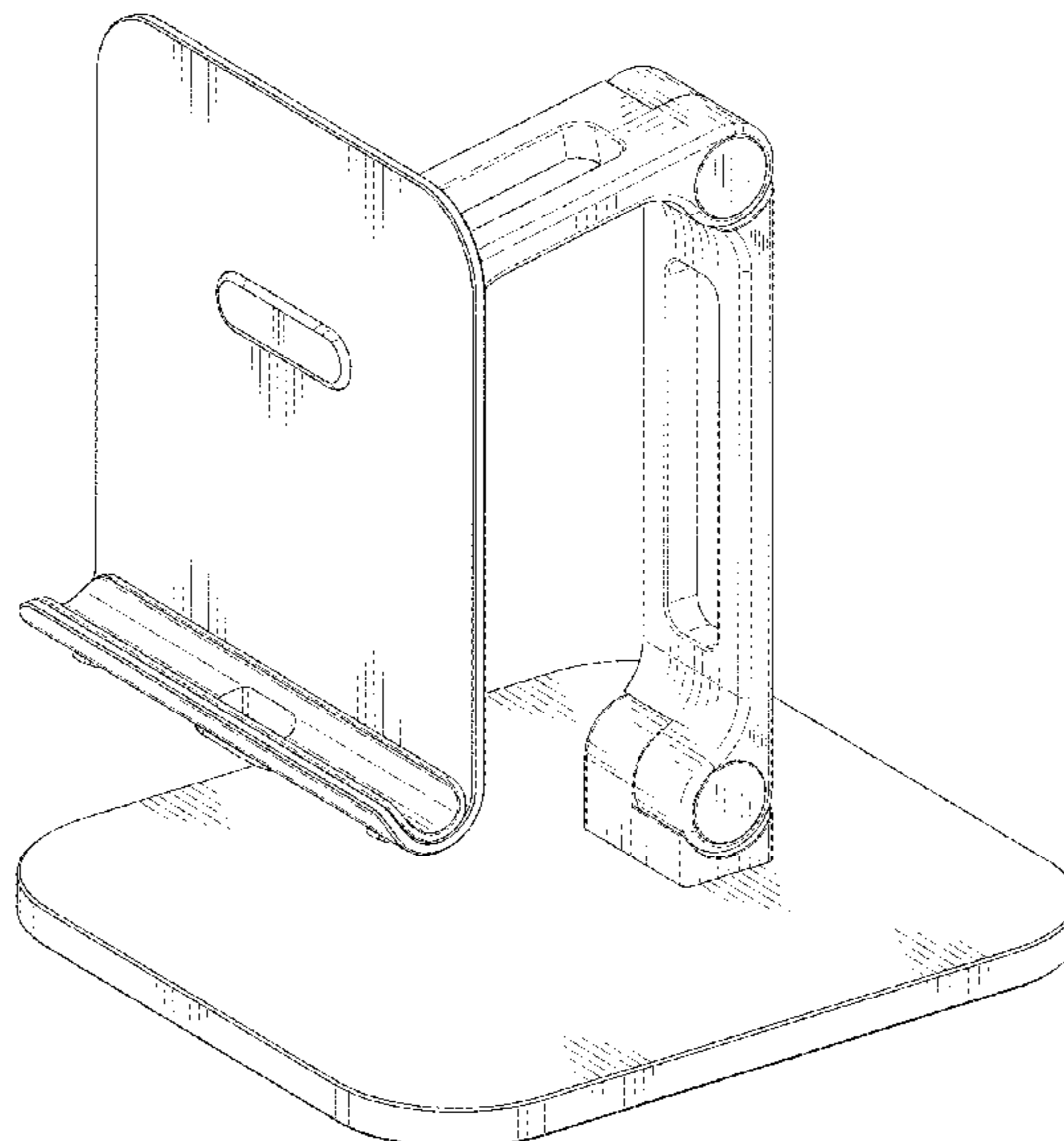
(57) **CLAIM**

The ornamental design for a holder for electronic device, as shown and described.

DESCRIPTION

FIG. 1 is a top, front, right side perspective view of a holder for electronic device showing my new design;
FIG. 2 is a front elevational view thereof;
FIG. 3 is a rear elevational view thereof;
FIG. 4 is a left side view thereof;
FIG. 5 is a right side view thereof;
FIG. 6 is a top plan view thereof; and,
FIG. 7 is a bottom plan view thereof.

1 Claim, 7 Drawing Sheets



(56)

References Cited

U.S. PATENT DOCUMENTS

D930,641 S *	9/2021	Zhou	D14/253
2013/0048802 A1 *	2/2013	Guran	F16M 13/00 248/122.1
2013/0342087 A1 *	12/2013	Guran	F16M 11/00 312/7.2

* cited by examiner

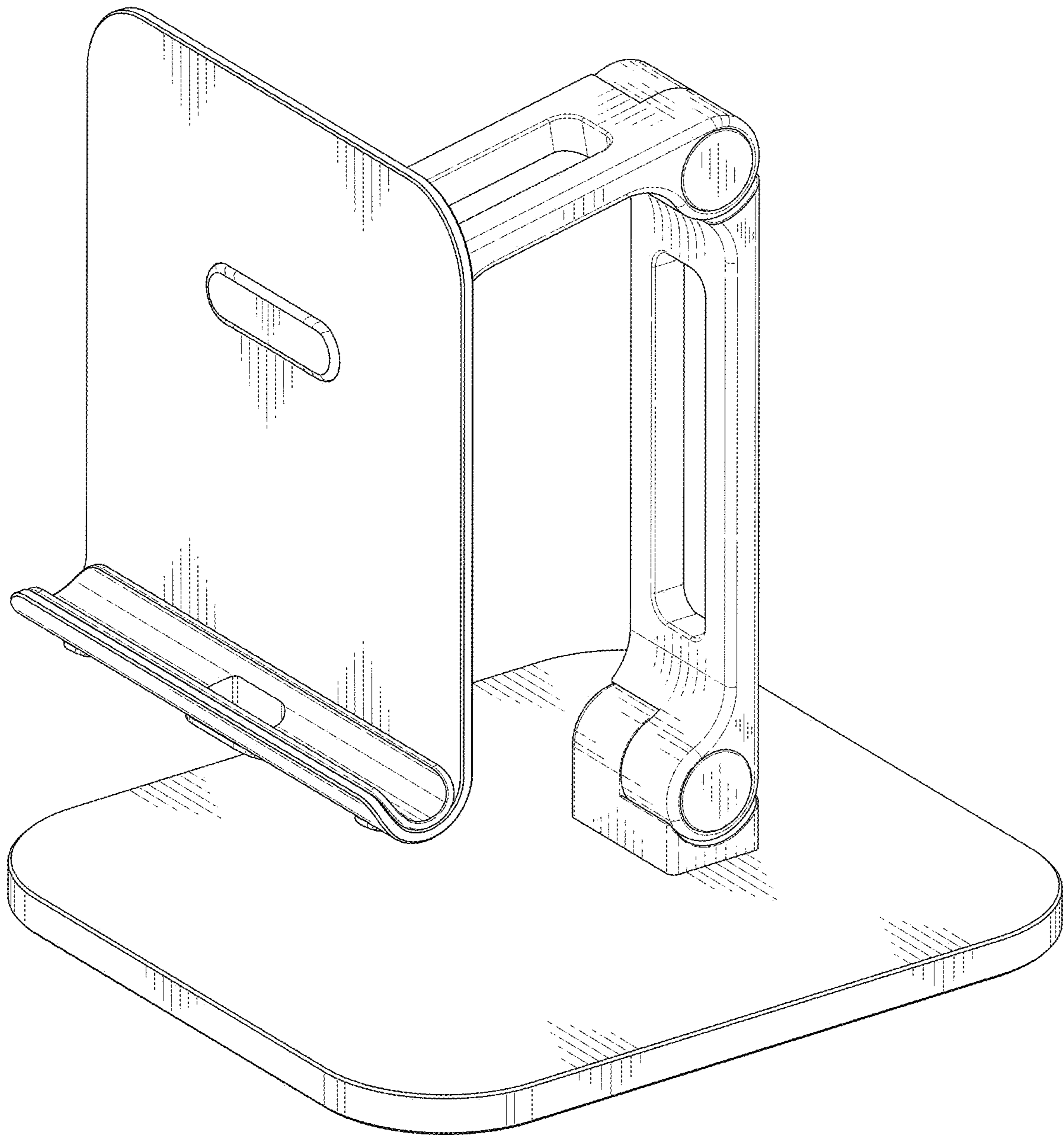


FIG. 1

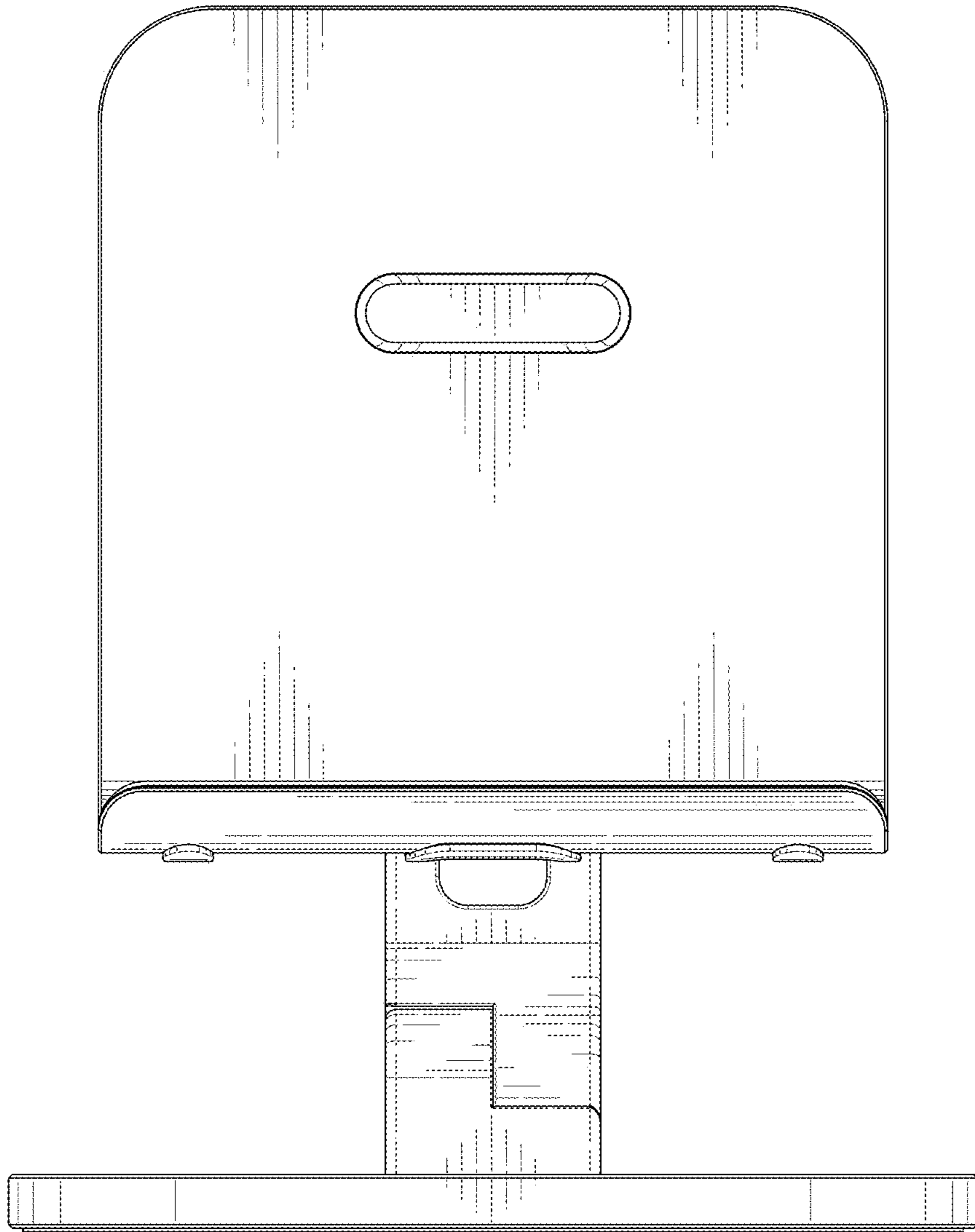


FIG. 2

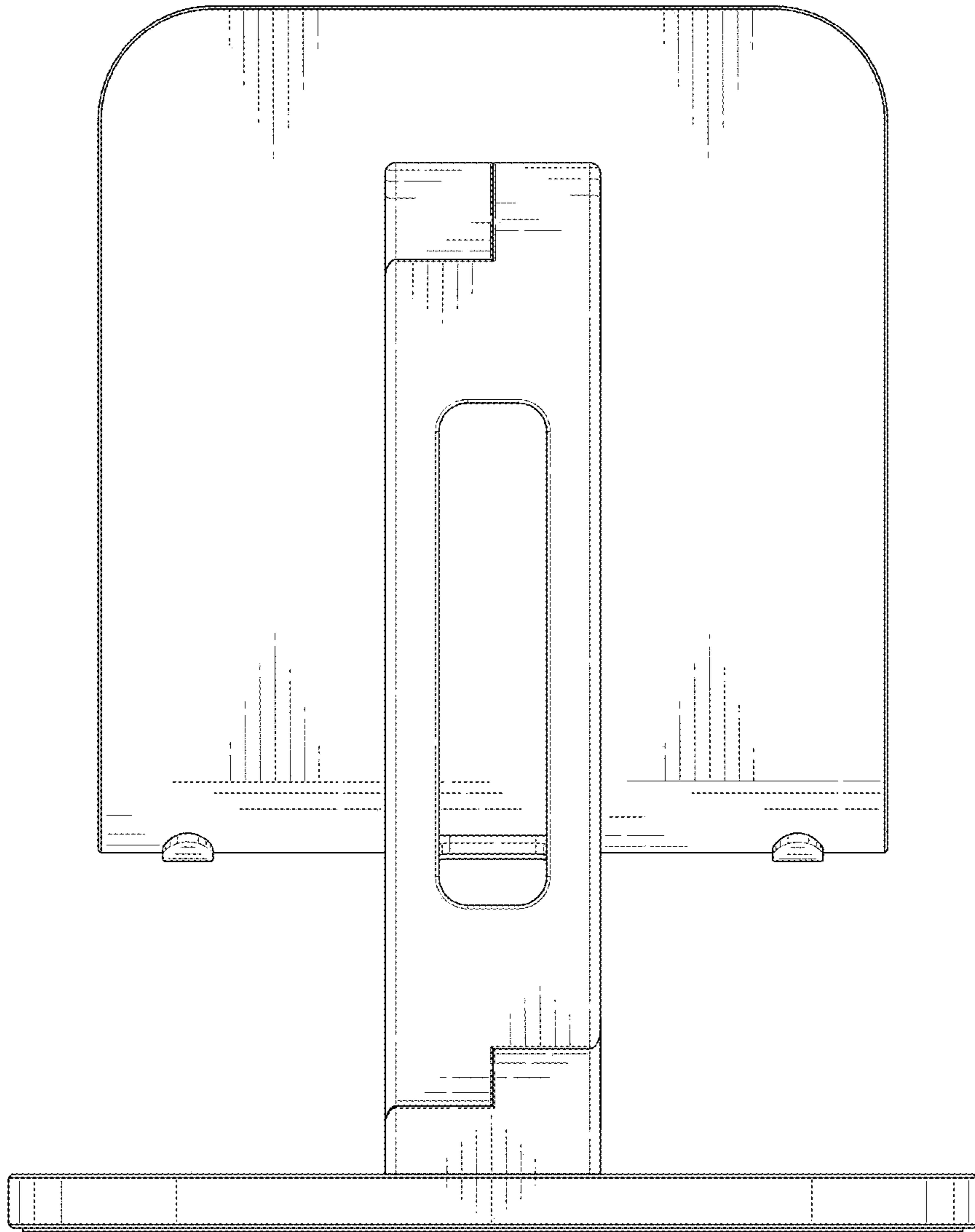


FIG. 3

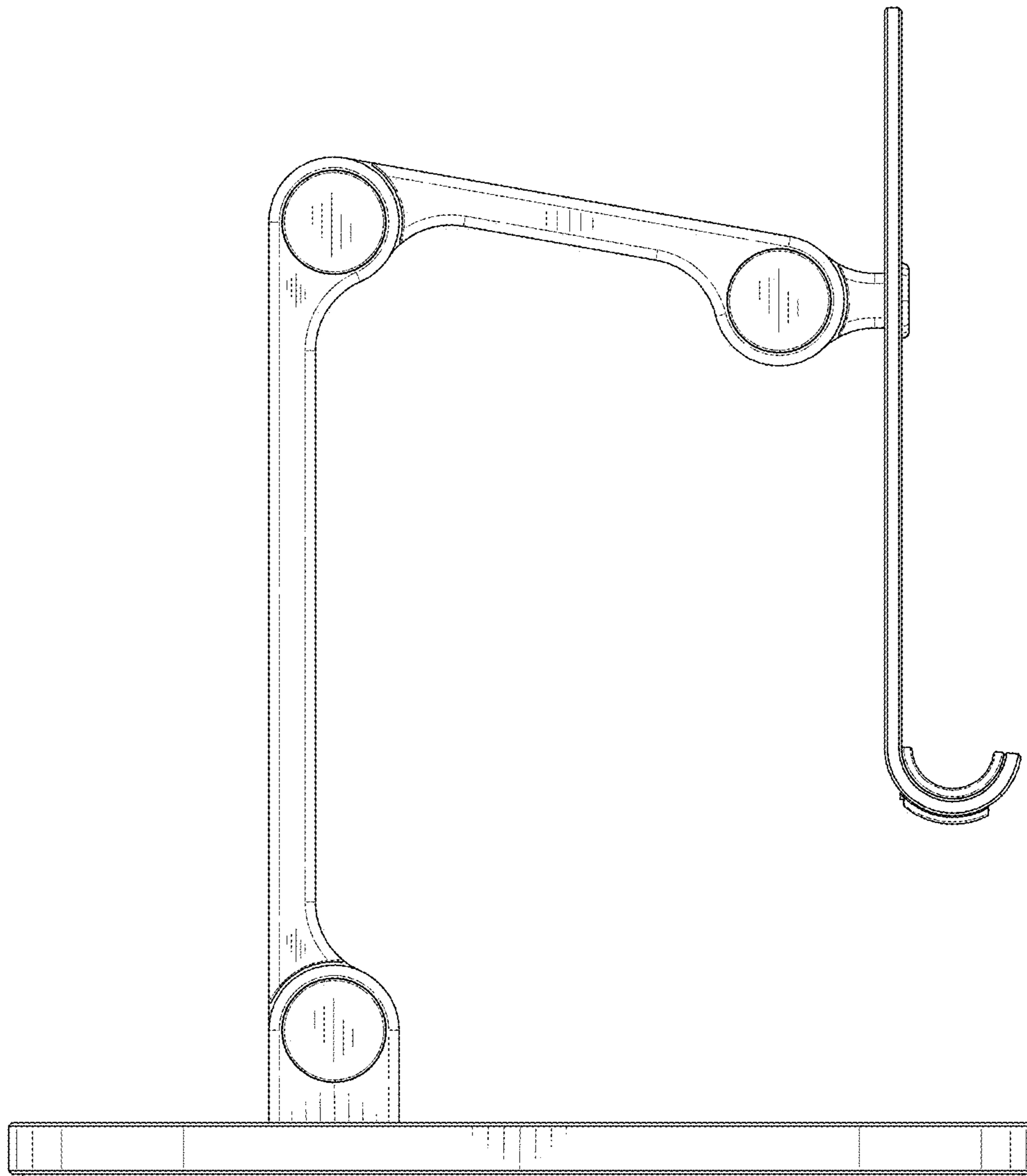


FIG. 4

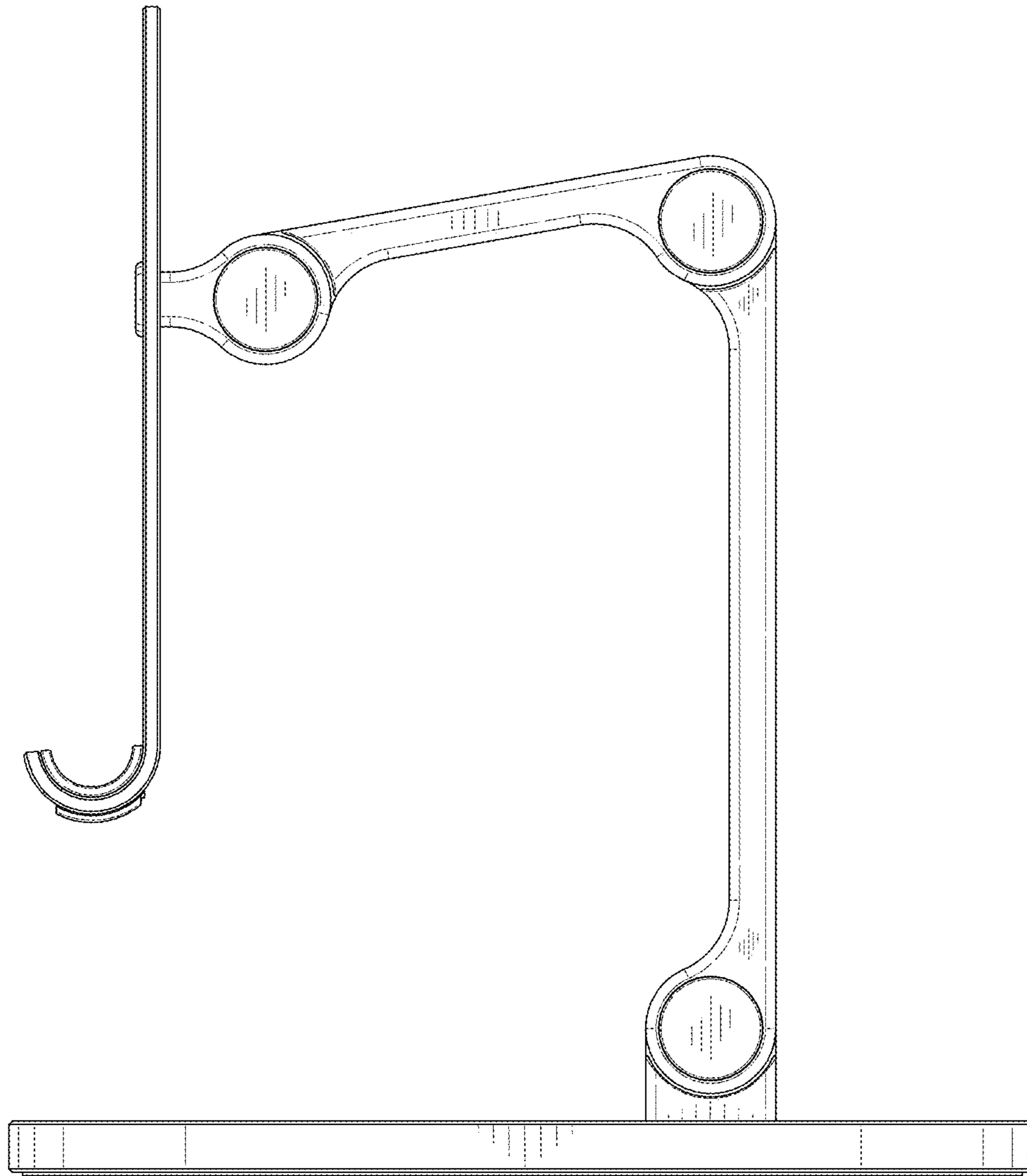


FIG. 5

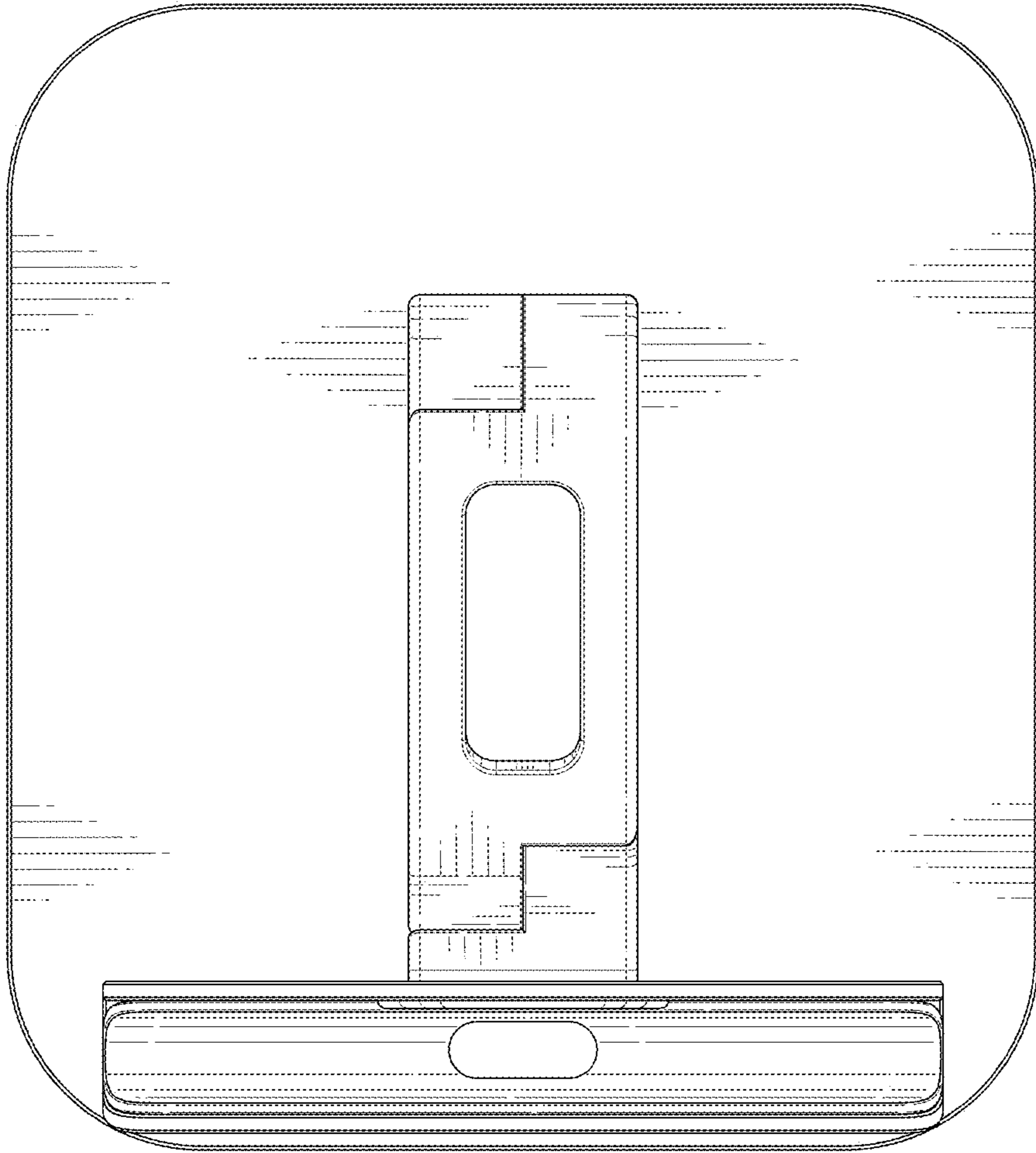


FIG. 6

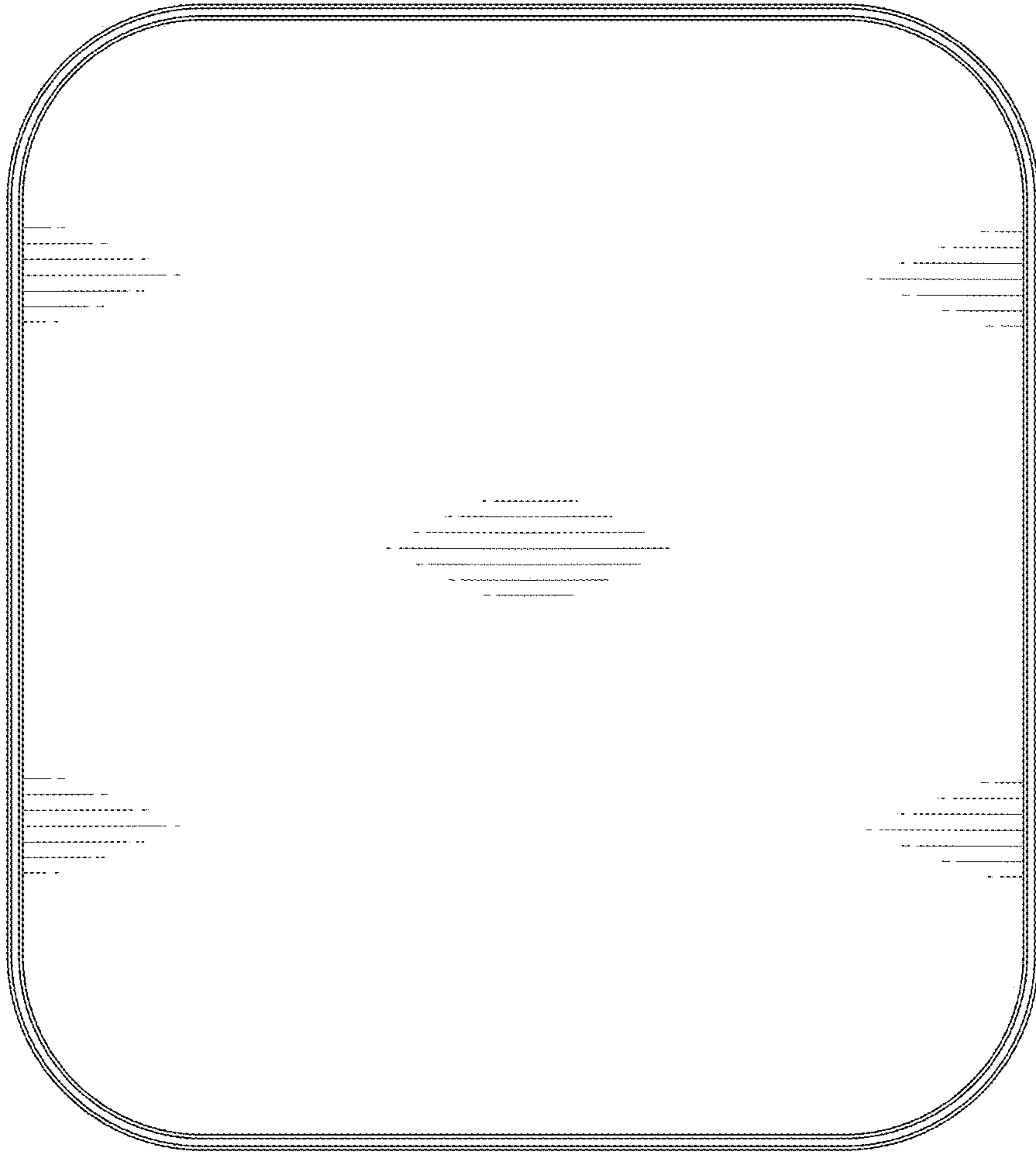


FIG. 7