



US00D940698S

(12) **United States Design Patent**
Qu

(10) **Patent No.:** **US D940,698 S**

(45) **Date of Patent:** **** Jan. 11, 2022**

(54) **PHONE CASE**

(71) Applicant: **Foshan Lanbi Technology Co., Ltd.**,
Foshan (CN)

(72) Inventor: **HaiJiao Qu**, Foshan (CN)

(**) Term: **15 Years**

(21) Appl. No.: **29/795,131**

(22) Filed: **Jun. 16, 2021**

(51) **LOC (13) Cl.** **14-03**

(52) **U.S. Cl.**
USPC **D14/250**

(58) **Field of Classification Search**
USPC D14/203.3–203.7, 439, 251–253, 447,
D14/217, 240, 238.1, 250, 440, 248;
D13/103, 107–108, 119; D3/201, 218,
D3/247, 249, 269, 273, 301, 303
CPC . H04B 1/3888; A45C 13/02; A45C 2011/002;
A45C 1/06; A45C 11/00; A45F 2005/026;
A45F 2200/0525; A45F 2200/0516;
H04M 1/0283; H04M 1/0202
See application file for complete search history.

(56) **References Cited**

U.S. PATENT DOCUMENTS

D685,779 S *	7/2013	Schriefer	D14/250
D697,504 S *	1/2014	Yang	D14/250
D709,059 S *	7/2014	Kim	D14/250
D722,312 S *	2/2015	Tages	D14/250
D723,531 S *	3/2015	Katzke	D14/250
D744,471 S *	12/2015	Fitzgerald	D14/250
D748,612 S *	2/2016	Chan	D14/250
D753,099 S *	4/2016	Kim	D14/250
D759,642 S *	6/2016	Chao	D14/250
D761,774 S *	7/2016	Liang	D14/250
D765,627 S *	9/2016	Watt	D14/250
D788,093 S *	5/2017	Lee	D14/250
D788,758 S *	6/2017	Liu	D14/250

D800,105 S *	10/2017	Roberts	D14/250
D839,252 S *	1/2019	Lim	D14/250
D855,610 S *	8/2019	Wei	D14/250
D860,182 S *	9/2019	Hyun	D14/250
D860,983 S *	9/2019	Kim	D14/250
D877,725 S *	3/2020	Ashley	D14/250
D894,886 S *	9/2020	Kim	D14/250
D898,015 S *	10/2020	Kwak	D14/250
D899,415 S *	10/2020	Kwak	D14/250
D903,646 S *	12/2020	Huang	D14/250
D905,680 S *	12/2020	Kim	D14/250
D907,621 S *	1/2021	Brown	D14/250
D908,680 S *	1/2021	Kim	D14/250
D916,692 S *	4/2021	Ting	D14/250
D918,888 S *	5/2021	Feng	D14/250

(Continued)

Primary Examiner — Carla J Wright

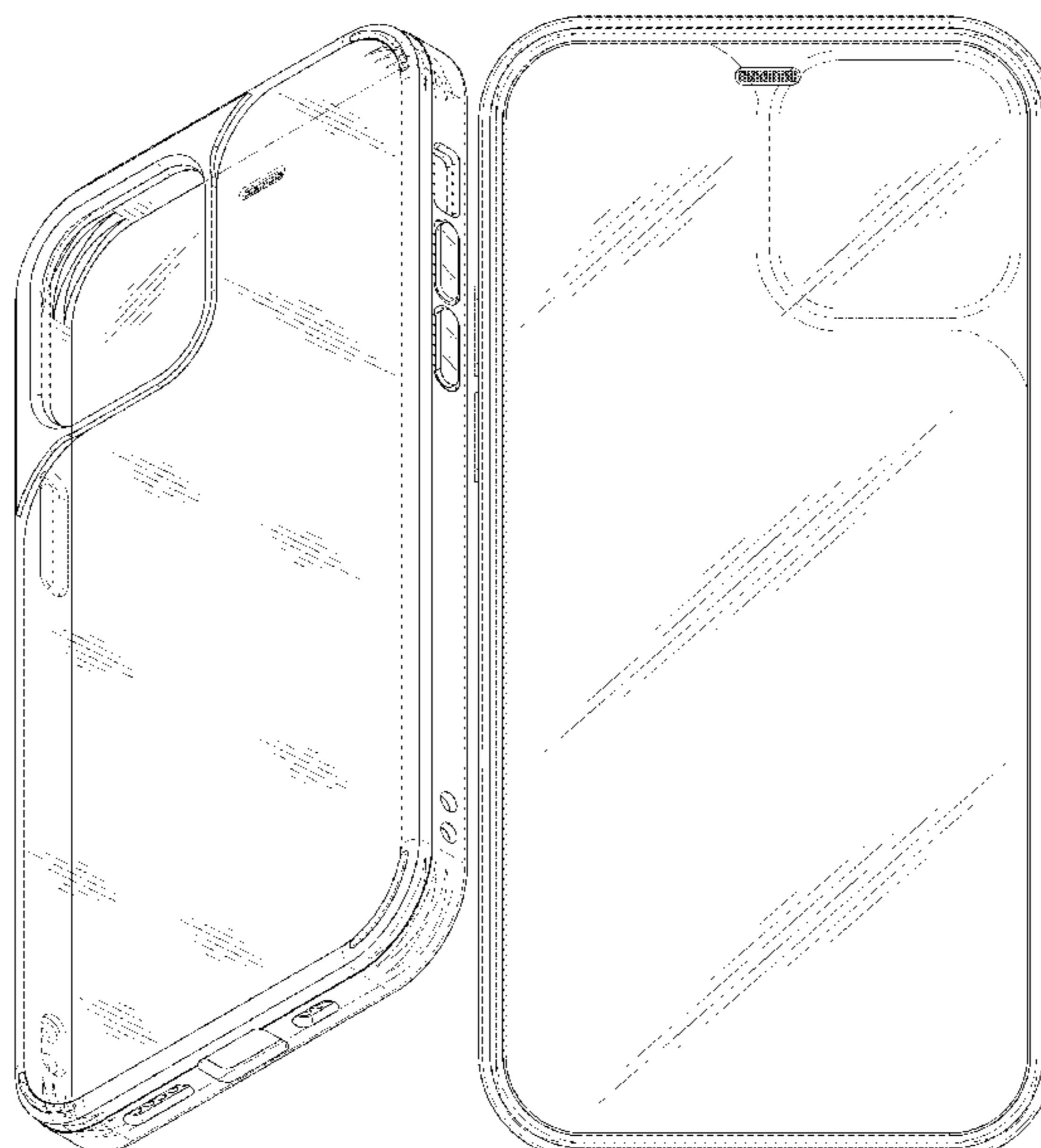
(57) **CLAIM**

The ornamental design for a phone case, as shown and described.

DESCRIPTION

FIG. 1 is a front, right-side, and top perspective view of a phone case showing my new design;
FIG. 2 is a back, left-side, and bottom perspective view thereof;
FIG. 3 is a front view thereof;
FIG. 4 is a back view thereof;
FIG. 5 is a left side view thereof;
FIG. 6 is a right side view thereof;
FIG. 7 is a top view thereof;
FIG. 8 is a bottom view thereof; and,
FIG. 9 is an enlarged view of the selected portion in FIG. 1. The dot dash broken line circle in FIGS. 1 and 9 and the dot-dash lead line that extends therefrom in FIG. 1 form no part of the claimed design and are for the purpose of designating the region of claimed subject matter in FIG. 1 that is shown on an enlarged scale in FIG. 9.

1 Claim, 9 Drawing Sheets



(56)

References Cited

U.S. PATENT DOCUMENTS

D924,863 S * 7/2021 Wright D14/250
2013/0271897 A1* 10/2013 Limber H04M 1/04
361/679.01
2014/0216952 A1* 8/2014 Liang H04M 1/18
206/37
2014/0332417 A1* 11/2014 Wicks H04B 1/3888
206/37
2015/0173228 A1* 6/2015 Chao H05K 5/065
206/524.2
2016/0015138 A1* 1/2016 Poon A45C 13/008
224/191
2017/0366217 A1* 12/2017 Bergreen H04M 1/18

* cited by examiner

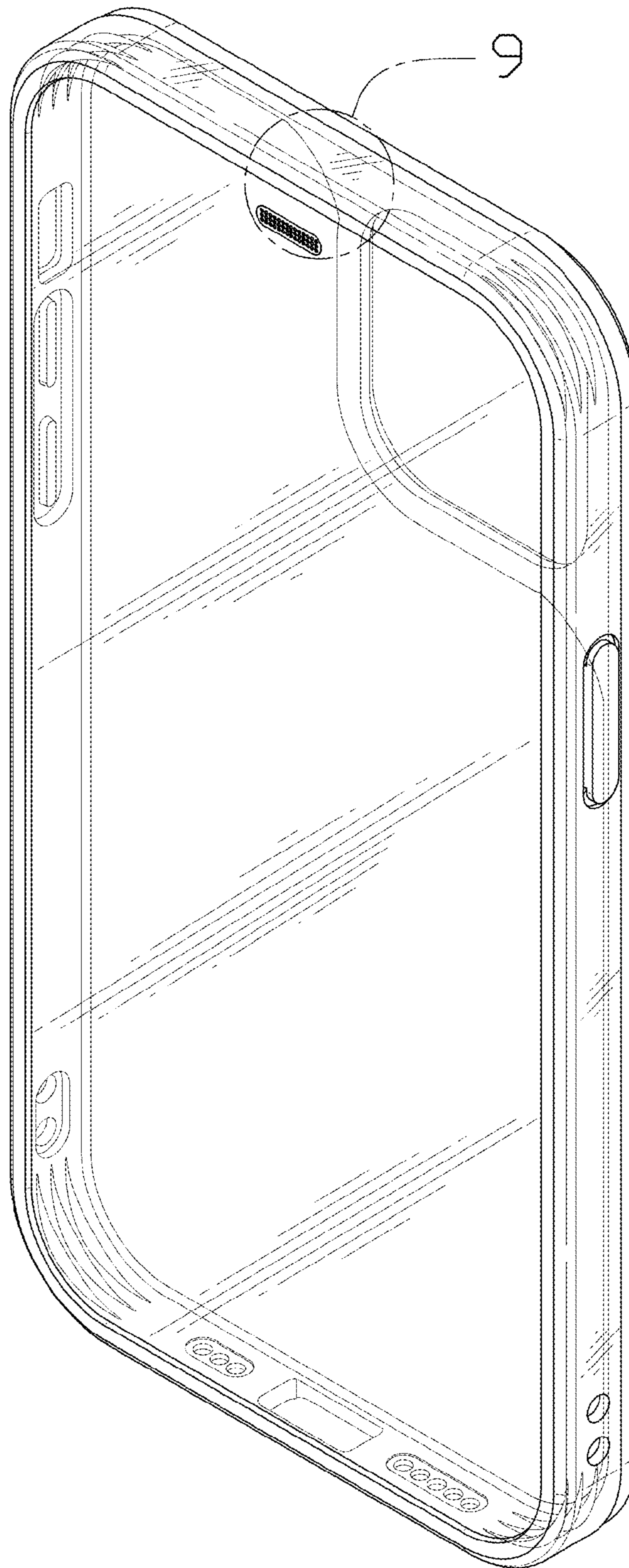


FIG. 1

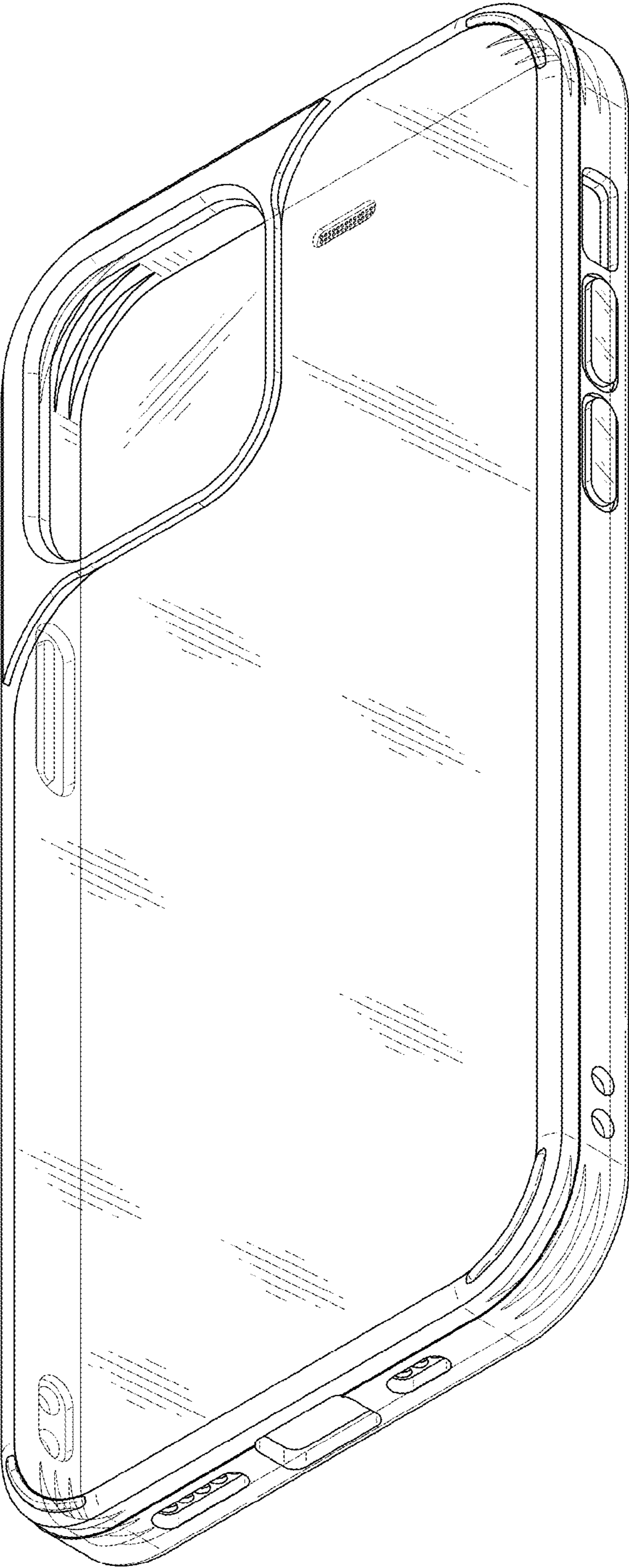


FIG. 2

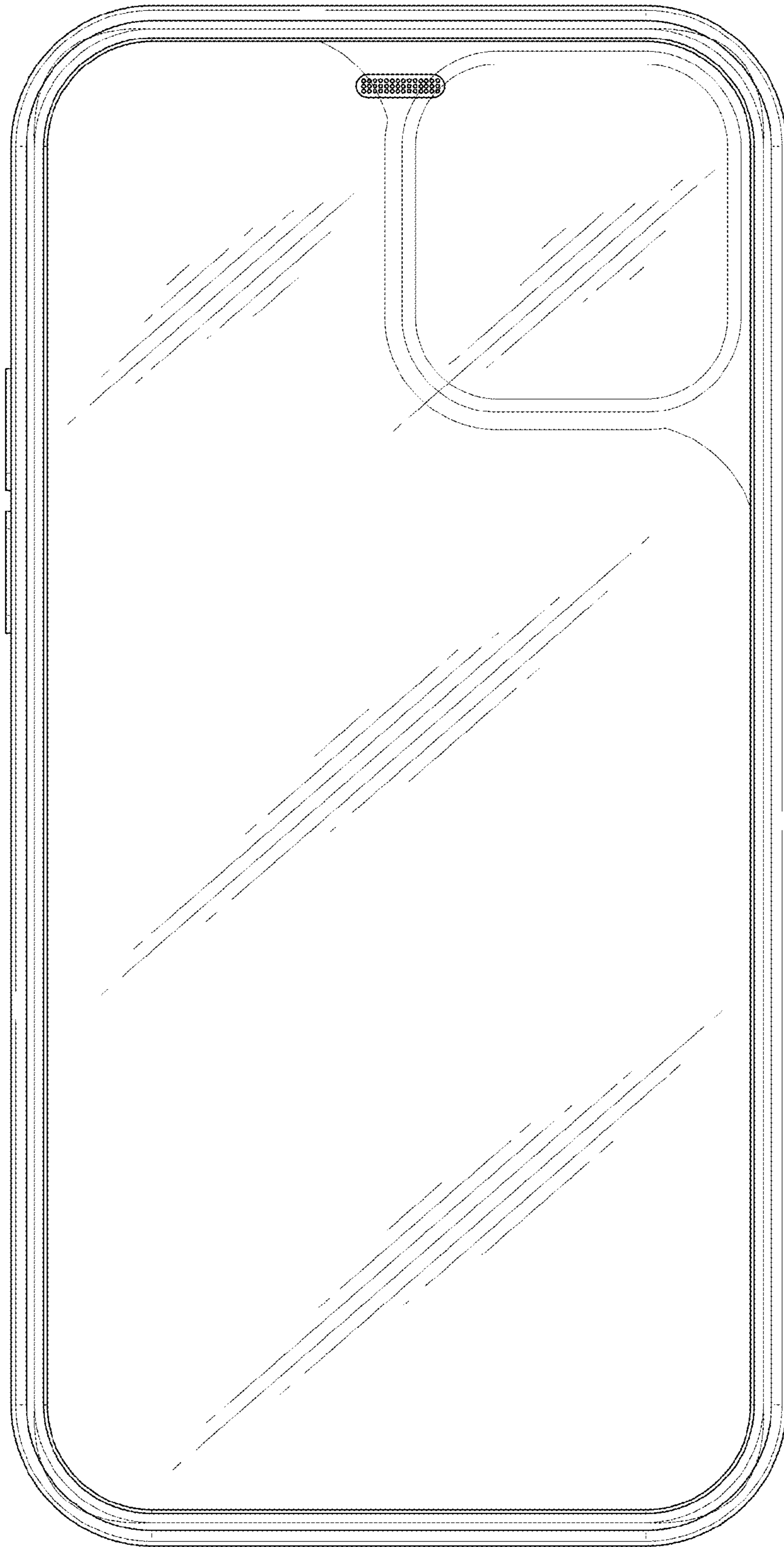


FIG. 3

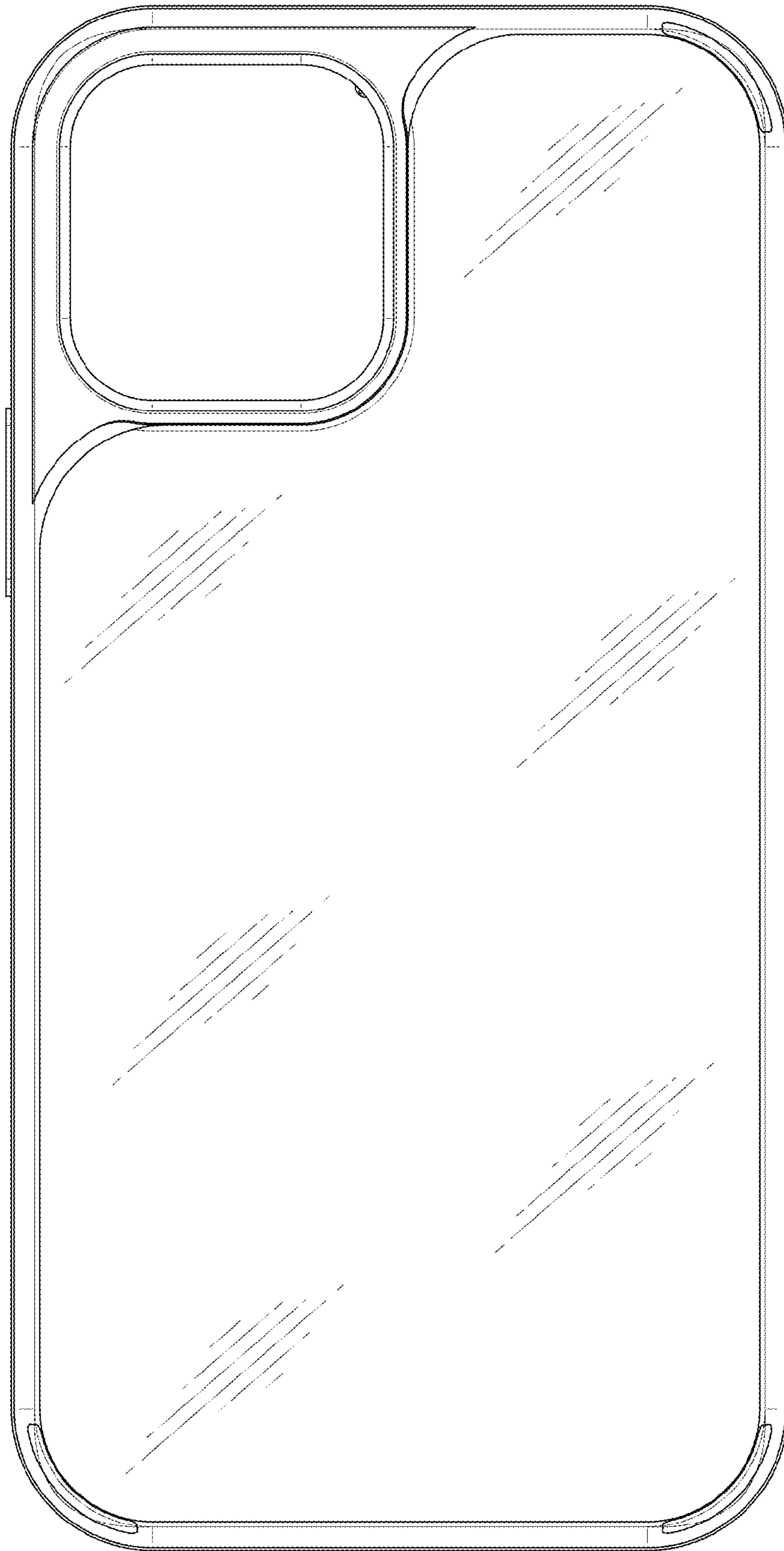


FIG. 4

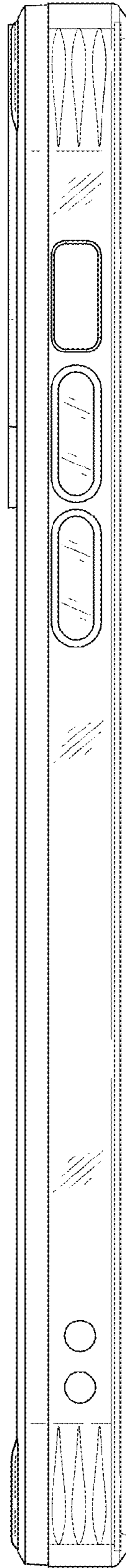


FIG. 5

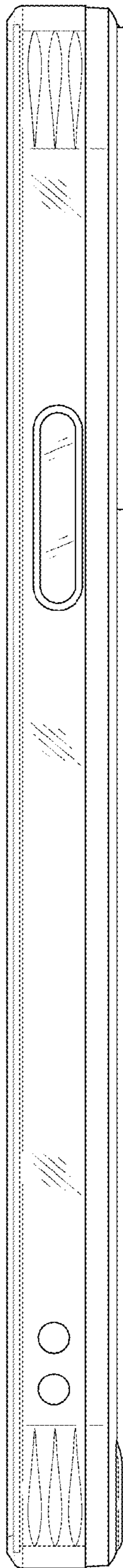


FIG. 6

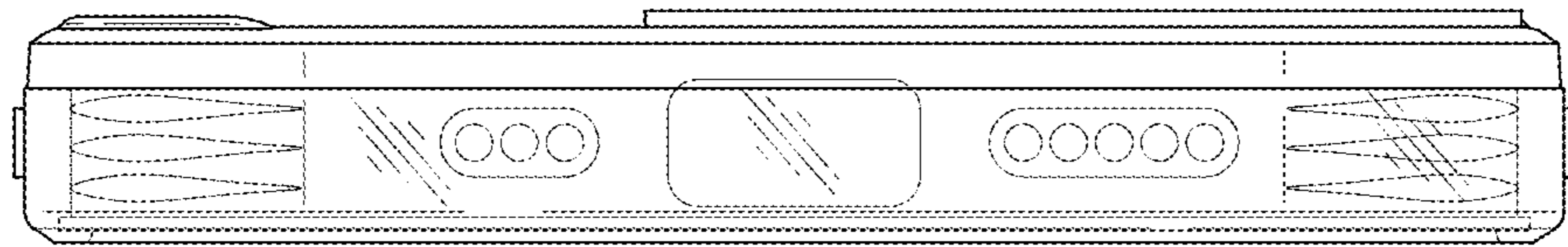


FIG. 7

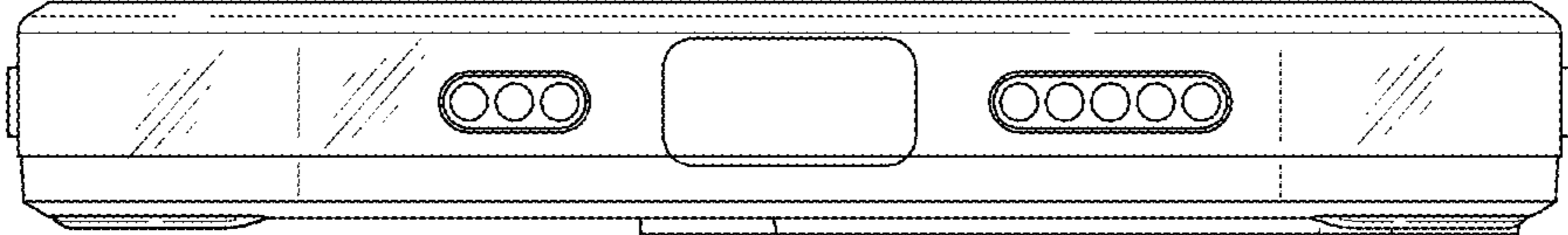


FIG. 8

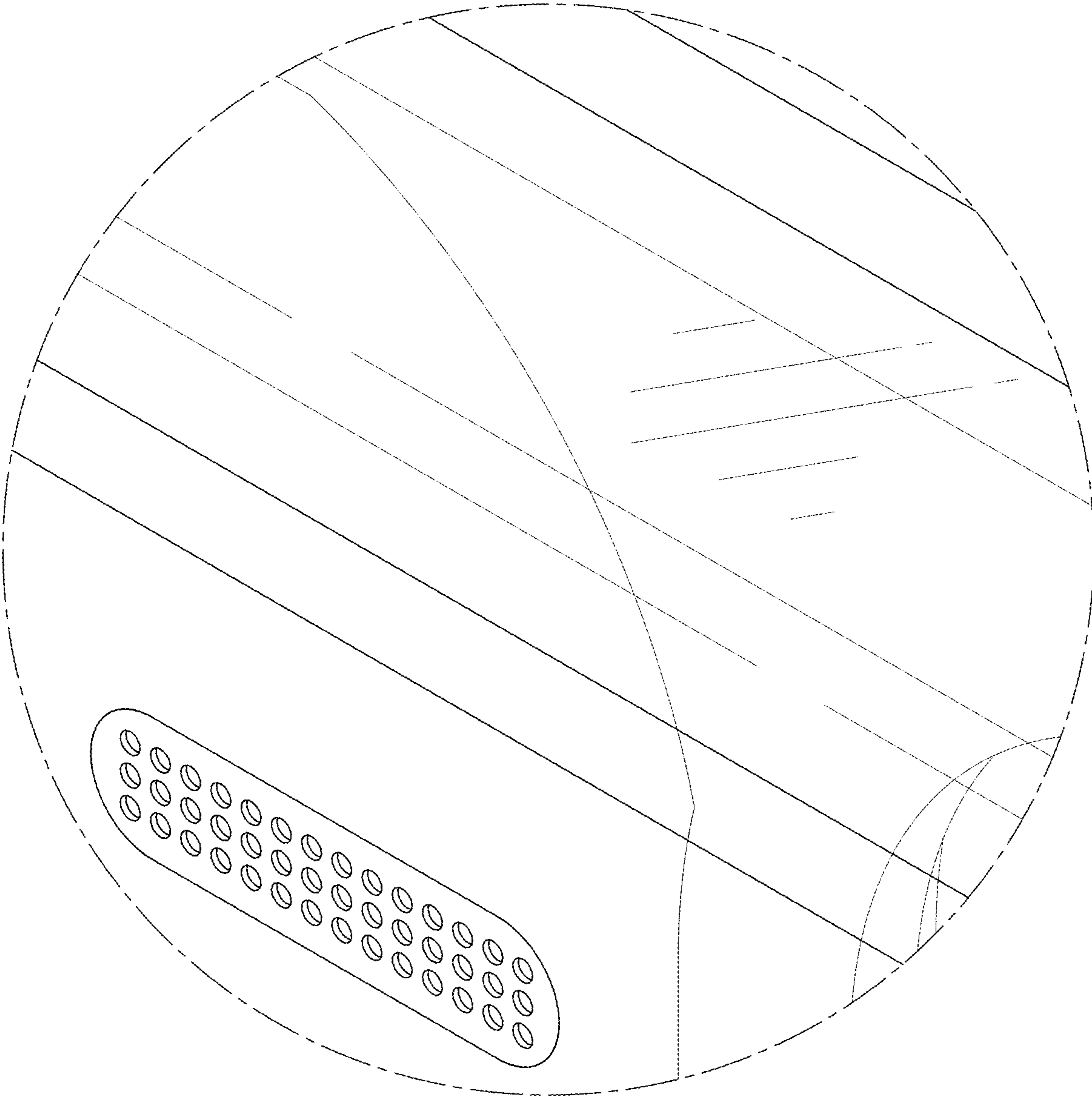


FIG. 9