

US00D940696S

(12) **United States Design Patent**  
**Deng et al.**

(10) **Patent No.:** **US D940,696 S**  
(45) **Date of Patent:** **\*\* Jan. 11, 2022**

- (54) **MICROPHONE**
- (71) Applicant: **Shenzhen Jiayz Photo Industrial, Ltd, Shenzhen (CN)**
- (72) Inventors: **Gang Deng, Shenzhen (CN); Jinshu Hu, Shenzhen (CN)**
- (\*\*) Term: **15 Years**
- (21) Appl. No.: **29/743,641**
- (22) Filed: **Jul. 23, 2020**
- (51) **LOC (13) Cl.** ..... **14-01**
- (52) **U.S. Cl.**  
USPC ..... **D14/239**
- (58) **Field of Classification Search**  
USPC ..... D9/434, 600; D14/150, 154, 155, 158, D14/160, 172, 186, 188, 204, 209.1, 214, D14/218, 221, 224-229, 239, 240, 245, D14/497; D17/99; D19/189; D21/324, D21/331, 332, 513  
CPC ... H04R 1/02; H04R 1/04; H04R 1/08; H04R 1/021; H04R 1/026; H04R 1/46; H04R 1/222; H04R 11/04; H04R 9/08; H04R 17/02; H04R 3/00  
See application file for complete search history.

- D658,163 S \* 4/2012 Iikura ..... D14/225
- D869,429 S \* 12/2019 Zhan ..... D14/204
- D898,771 S \* 10/2020 You ..... D14/497
- D931,839 S \* 9/2021 Bryant ..... D14/227

**OTHER PUBLICATIONS**

BOYA Dual-Capsule Condenser Shotgun Microphone, Date: Nov. 21, 2020, [online], [site visited Oct. 28, 2021]. Available from internet, URL: <https://www.amazon.com/BOYA-Dual-Capsule-Condenser-Microphone-Smartphone/dp/B08JLNMPC7> (Year: 2020).\*

\* cited by examiner

*Primary Examiner* — Khawaja Anwar  
*Assistant Examiner* — Megan Tiana Rakos

(57) **CLAIM**

The ornamental design for a microphone, as shown and described.

**DESCRIPTION**

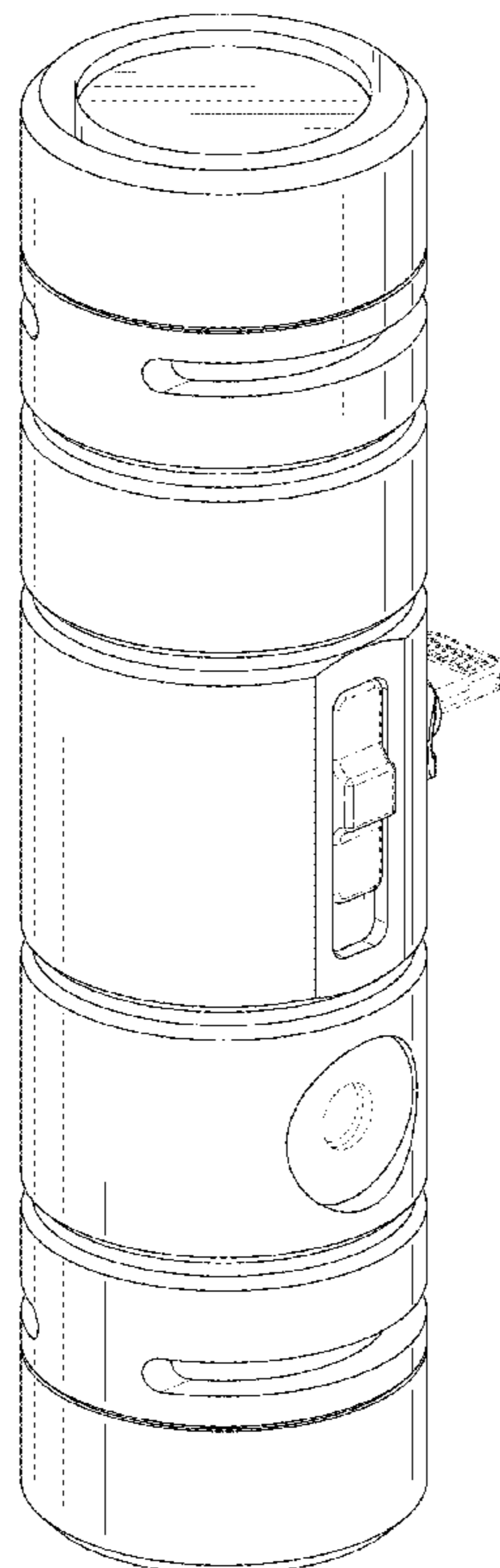
FIG. 1 is a front and top perspective view of a microphone; showing our new design;  
FIG. 2 is a rear and bottom perspective view thereof;  
FIG. 3 is a front elevational view thereof;  
FIG. 4 is a rear elevational view thereof;  
FIG. 5 is a left side elevational view thereof;  
FIG. 6 is a right side elevational view thereof.  
FIG. 7 is a top plan view thereof; and,  
FIG. 8 is a bottom plan view thereof.  
The broken lines in the figures illustrate portions of the article that form no part of the claimed design.

(56) **References Cited**

**U.S. PATENT DOCUMENTS**

- D407,407 S \* 3/1999 Okon ..... D14/228
- D594,856 S \* 6/2009 Marshall ..... D14/228

**1 Claim, 8 Drawing Sheets**



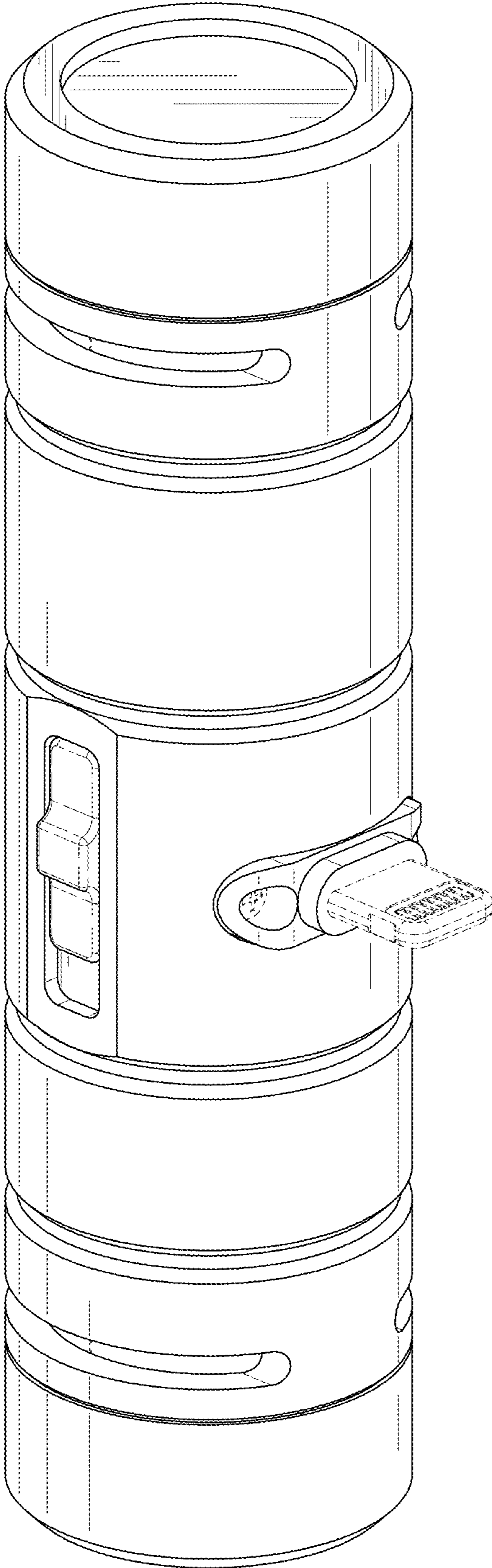


FIG. 1

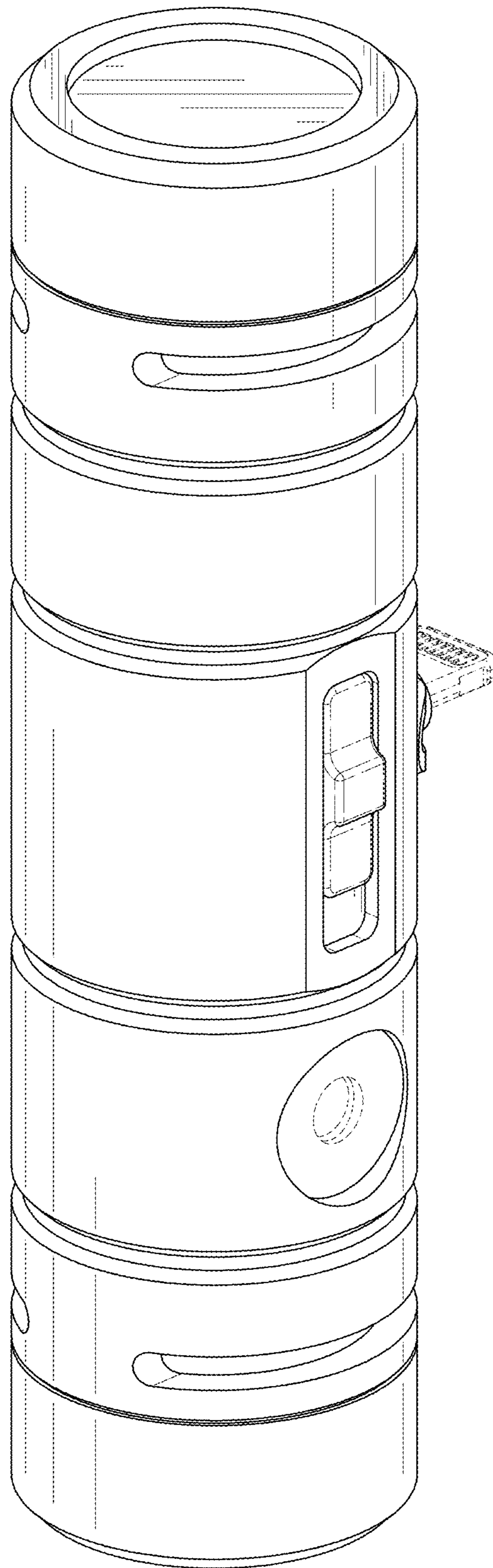


FIG. 2

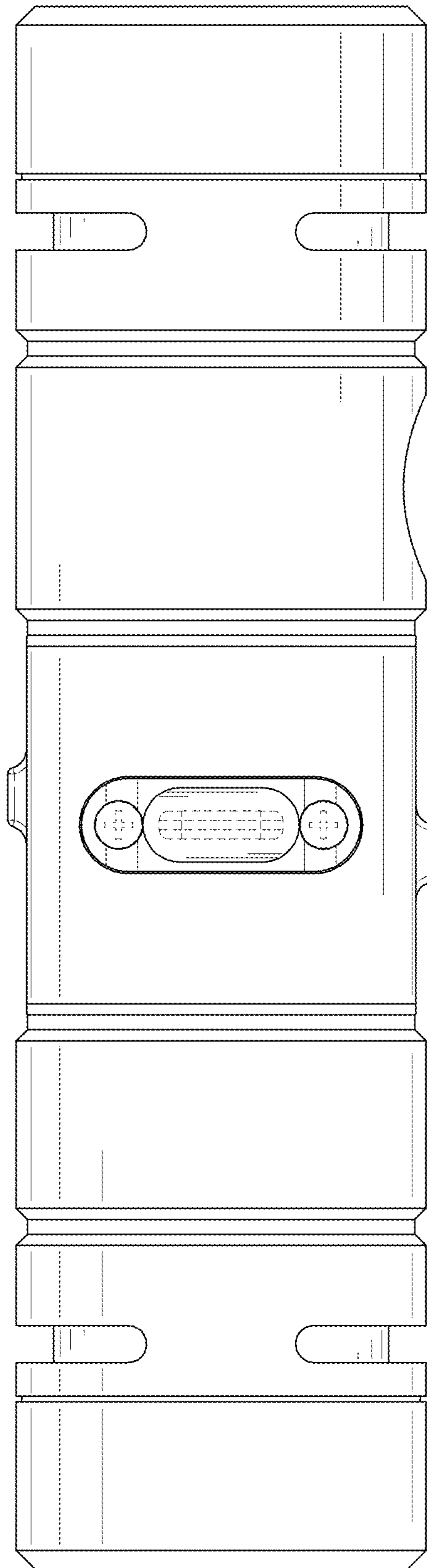


FIG. 3

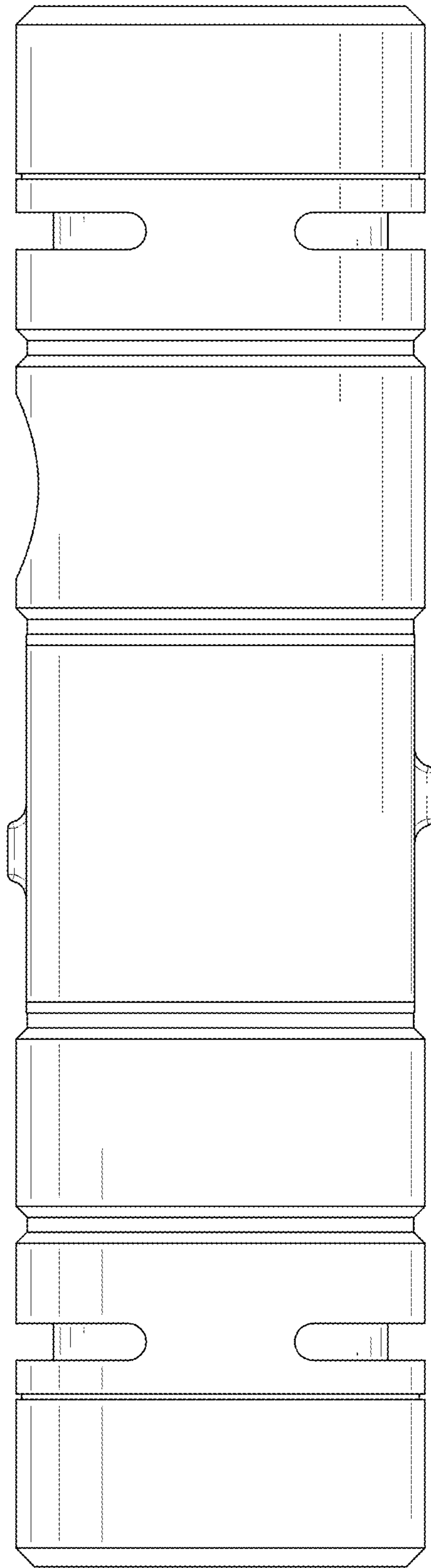


FIG. 4

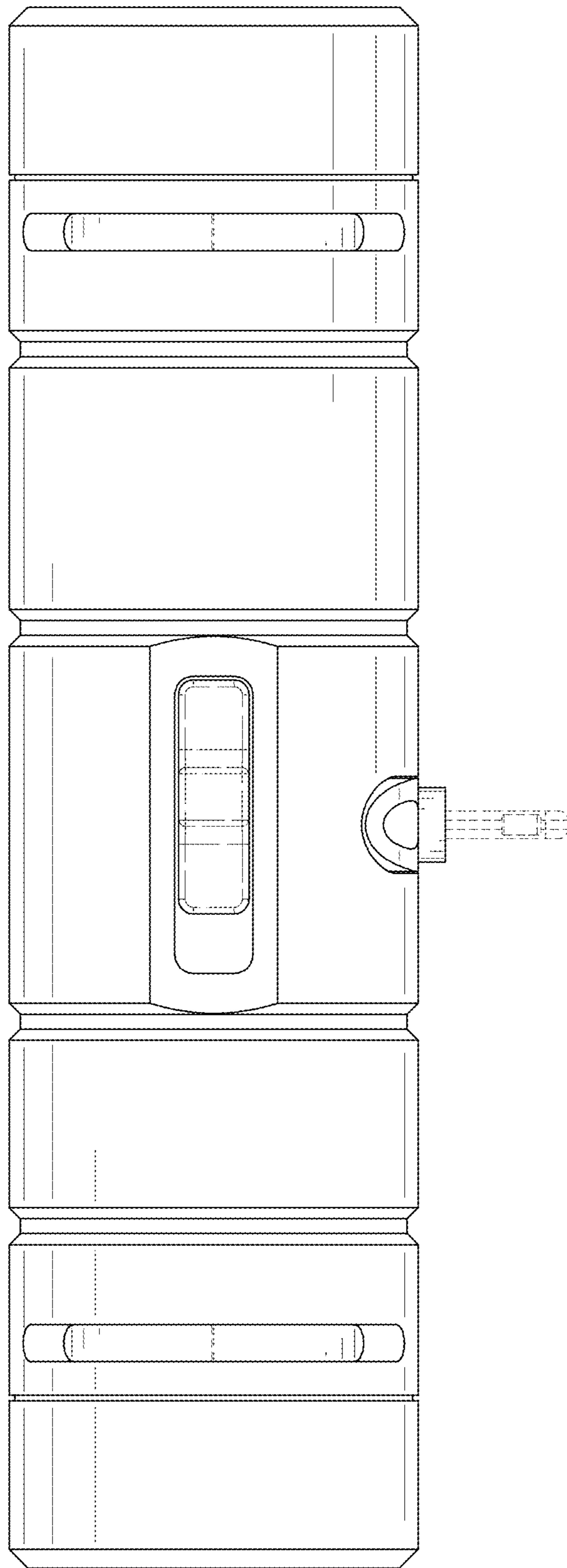


FIG. 5

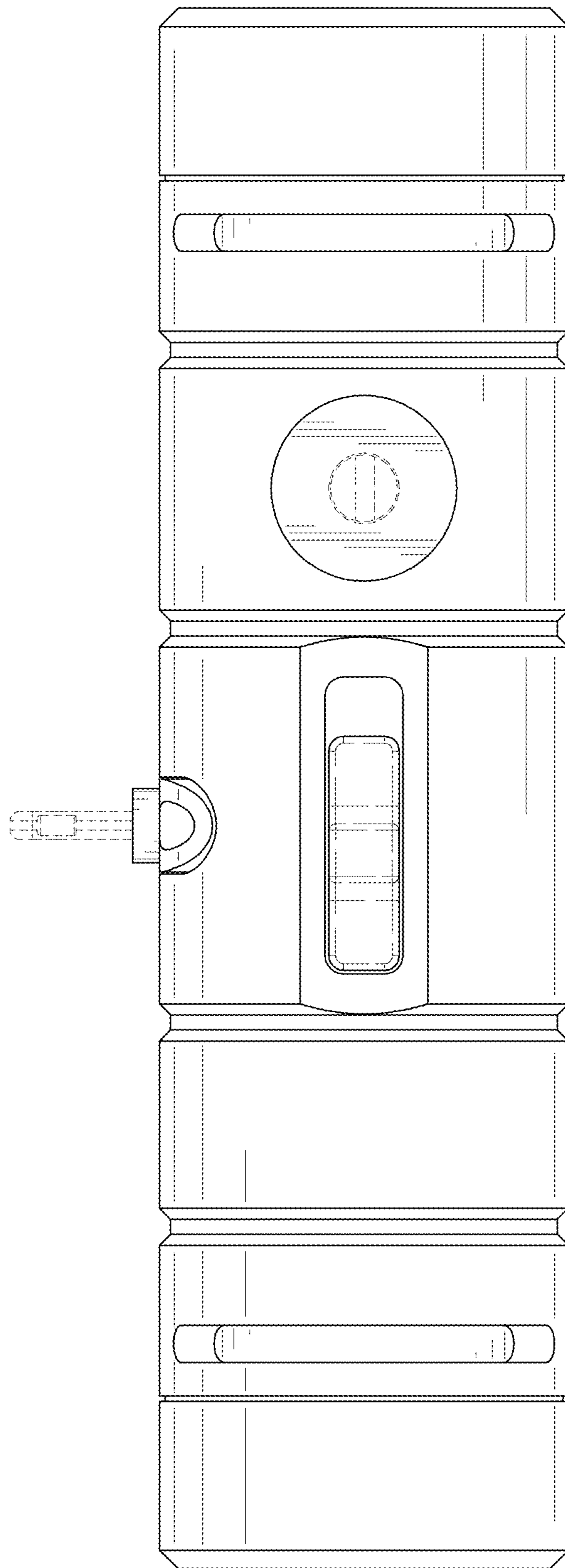


FIG. 6

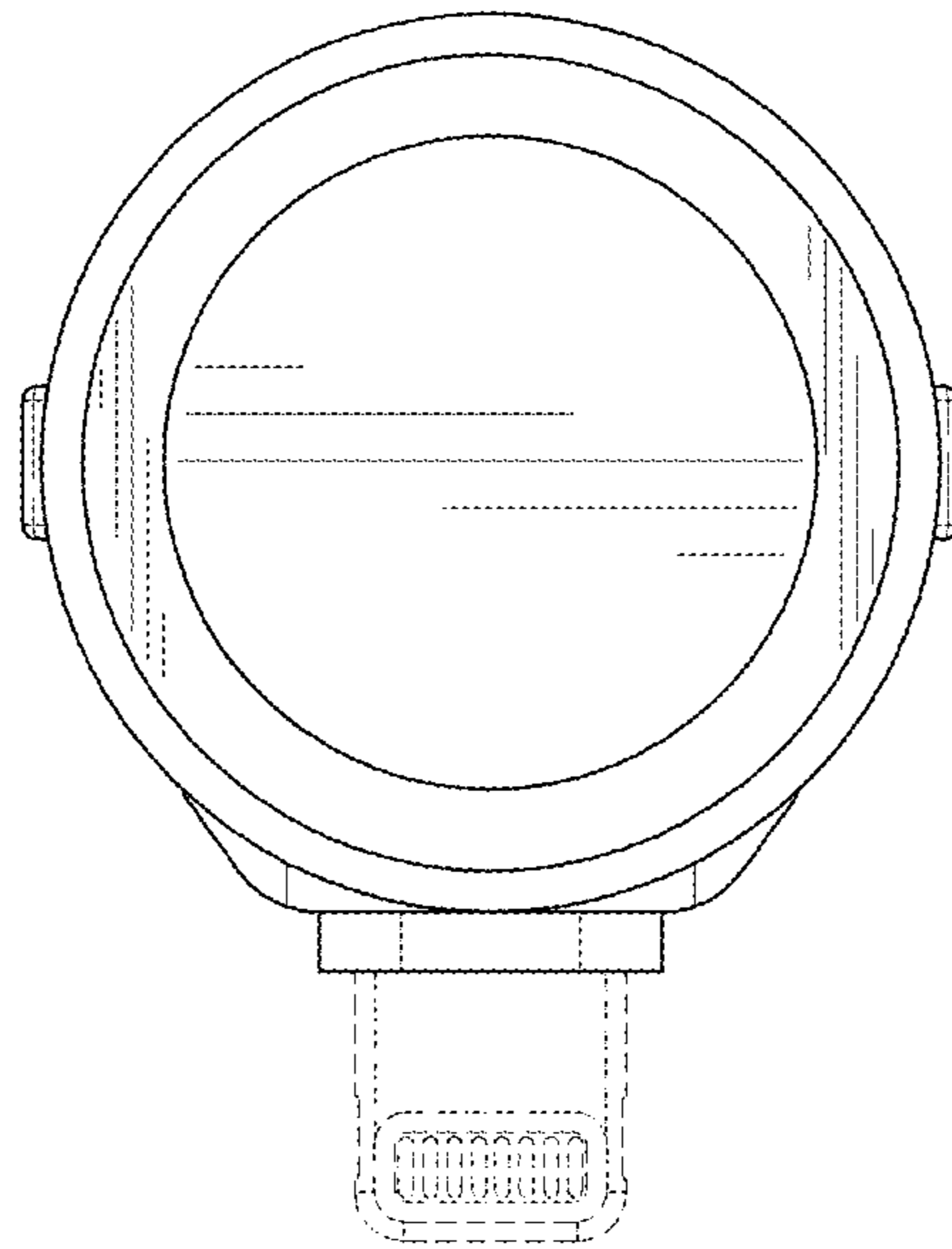


FIG. 7



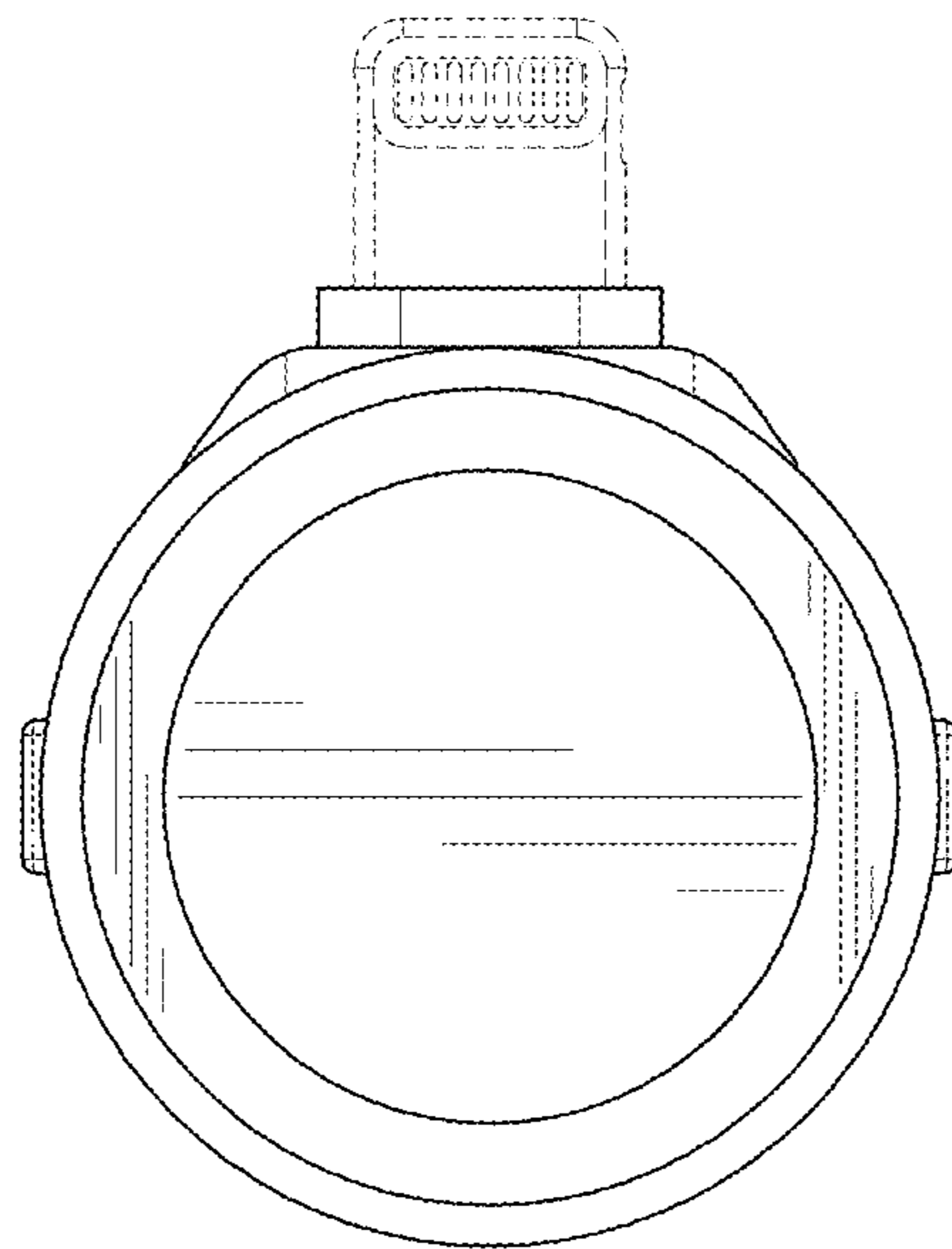


FIG. 8