



US00D940693S

(12) **United States Design Patent**
Deng et al.

(10) **Patent No.:** **US D940,693 S**
(45) **Date of Patent:** **** Jan. 11, 2022**

(54) **COMBINED MICROPHONE WITH HOLDER**

D864,921 S * 10/2019 Mai D14/227
D918,876 S * 5/2021 Mai D14/227
D919,604 S * 5/2021 Mai D14/227

(71) Applicant: **Shenzhen Jiayz Photo Industrial, Ltd**, Shenzhen (CN)

(72) Inventors: **Gang Deng**, Shenzhen (CN); **Jinshu Hu**, Shenzhen (CN)

(**) Term: **15 Years**

(21) Appl. No.: **29/743,642**

(22) Filed: **Jul. 23, 2020**

(51) **LOC (13) Cl.** **14-01**

(52) **U.S. Cl.**
USPC **D14/225**

(58) **Field of Classification Search**
USPC D9/434, 600; D14/150, 154, 155, 158, D14/160, 172, 186, 188, 204, 209.1, 214, D14/218, 221, 224–229, 239, 240, 245, D14/497; D17/99; D19/189; D21/324, D21/331, 332, 513
CPC ... H04R 1/02; H04R 1/04; H04R 1/08; H04R 1/021; H04R 1/026; H04R 1/46; H04R 1/222; H04R 11/04; H04R 9/08; H04R 17/02; H04R 3/00

See application file for complete search history.

(56) **References Cited**

U.S. PATENT DOCUMENTS

D719,140 S * 12/2014 Sanhui D14/225
D836,090 S * 12/2018 Li D14/227
D842,846 S * 3/2019 Mai D14/225
D851,073 S * 6/2019 Tong D14/227
D854,521 S * 7/2019 Sunwoo D14/227

OTHER PUBLICATIONS

[BOYA Dual-Capsule Condenser Shotgun Microphone], available in Amazon.com, date first available Nov. 21, 2020 [online], [site visited Oct. 28, 2021]. Available from the internet URL: <https://www.amazon.com/BOYA-Dual-Capsule-Condenser-Microphone-Smartphone/dp/B08JLNMPC7> (Year: 2020).*

* cited by examiner

Primary Examiner — Khawaja Anwar
Assistant Examiner — Megan Tiana Rakos

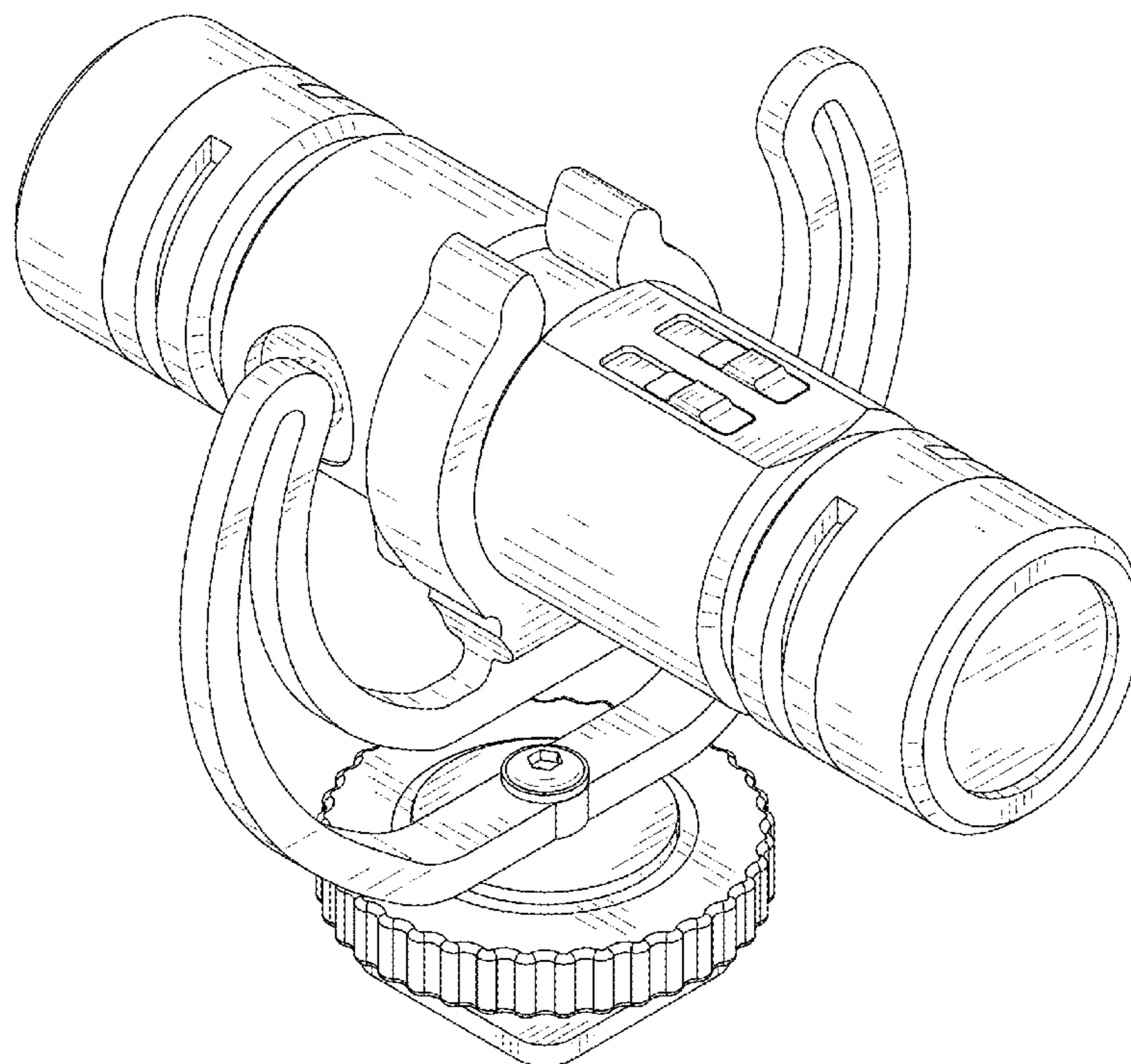
(57) **CLAIM**

The ornamental design for a combined microphone with holder, as shown and described.

DESCRIPTION

FIG. 1 is a front elevational view of a combined microphone with holder; showing our new design; FIG. 2 is a rear elevational view thereof; FIG. 3 is a left side elevational view thereof; FIG. 4 is a right side elevational view thereof; FIG. 5 is a top plan view thereof; FIG. 6 is a bottom plan view thereof. FIG. 7 is a front and top perspective view thereof; and, FIG. 8 is a rear and bottom perspective view thereof. The broken lines in the figures illustrate portions of the article that form no part of the design.

1 Claim, 8 Drawing Sheets



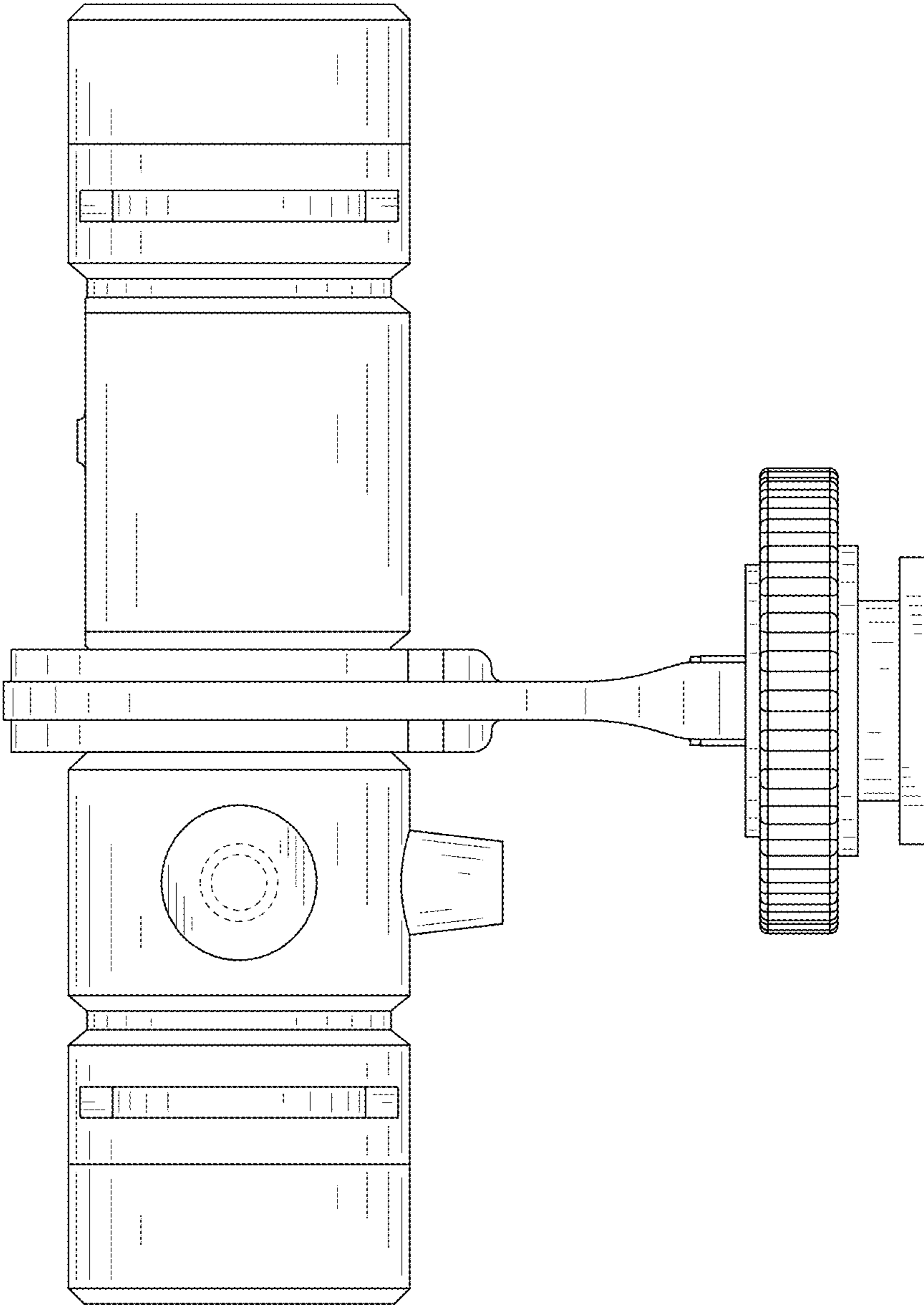


FIG. 1

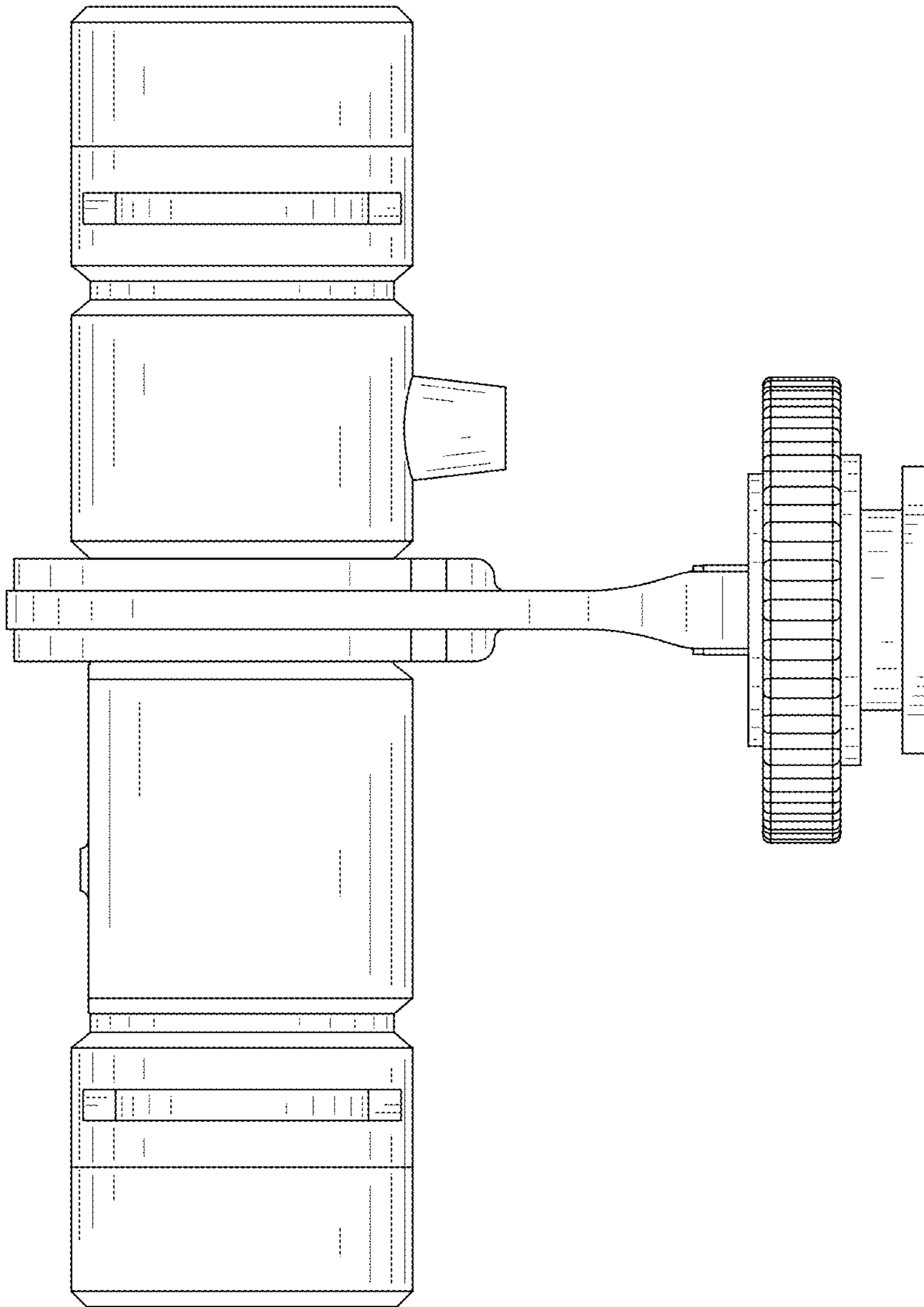


FIG. 2

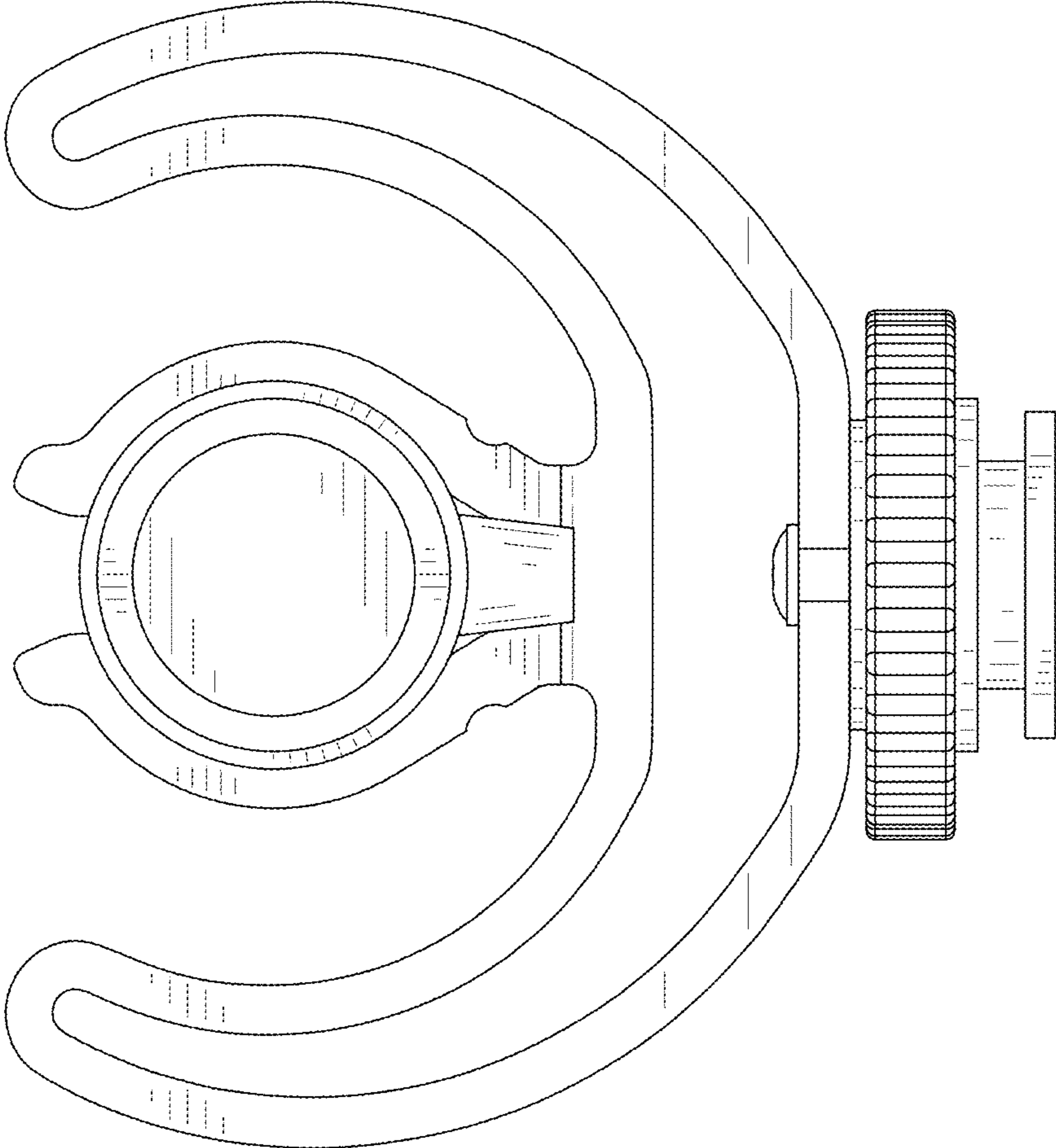


FIG. 3

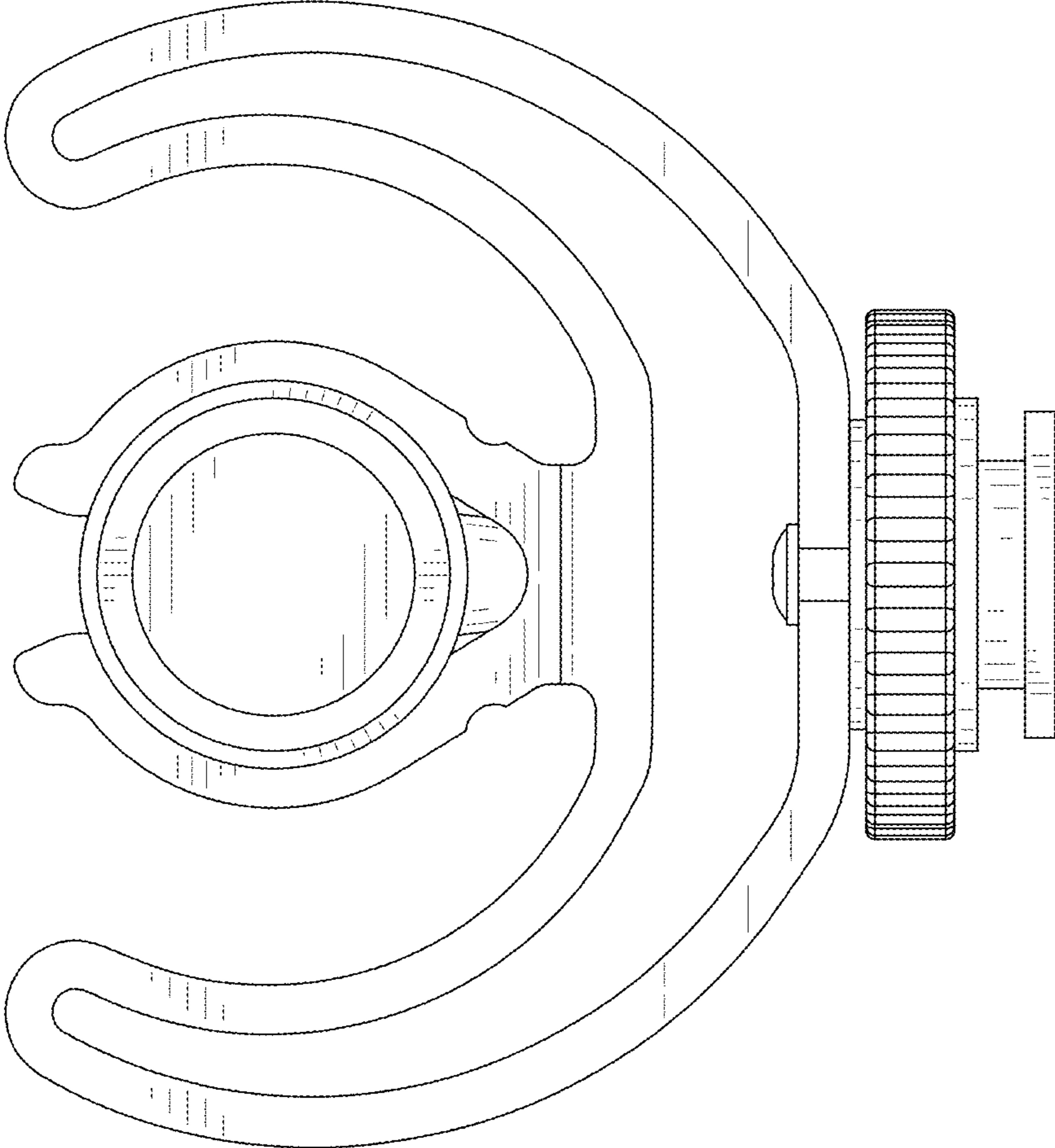


FIG. 4

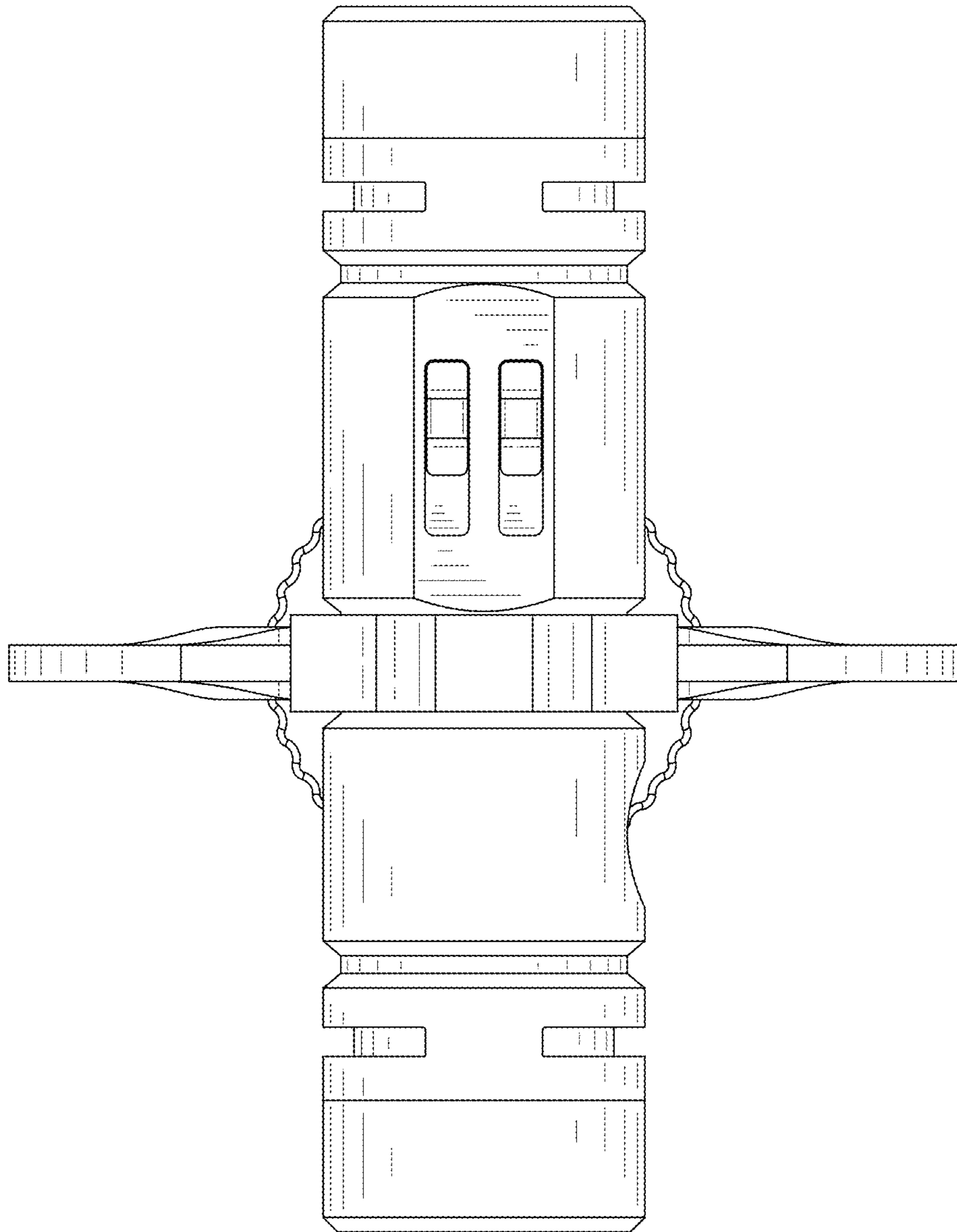


FIG. 5

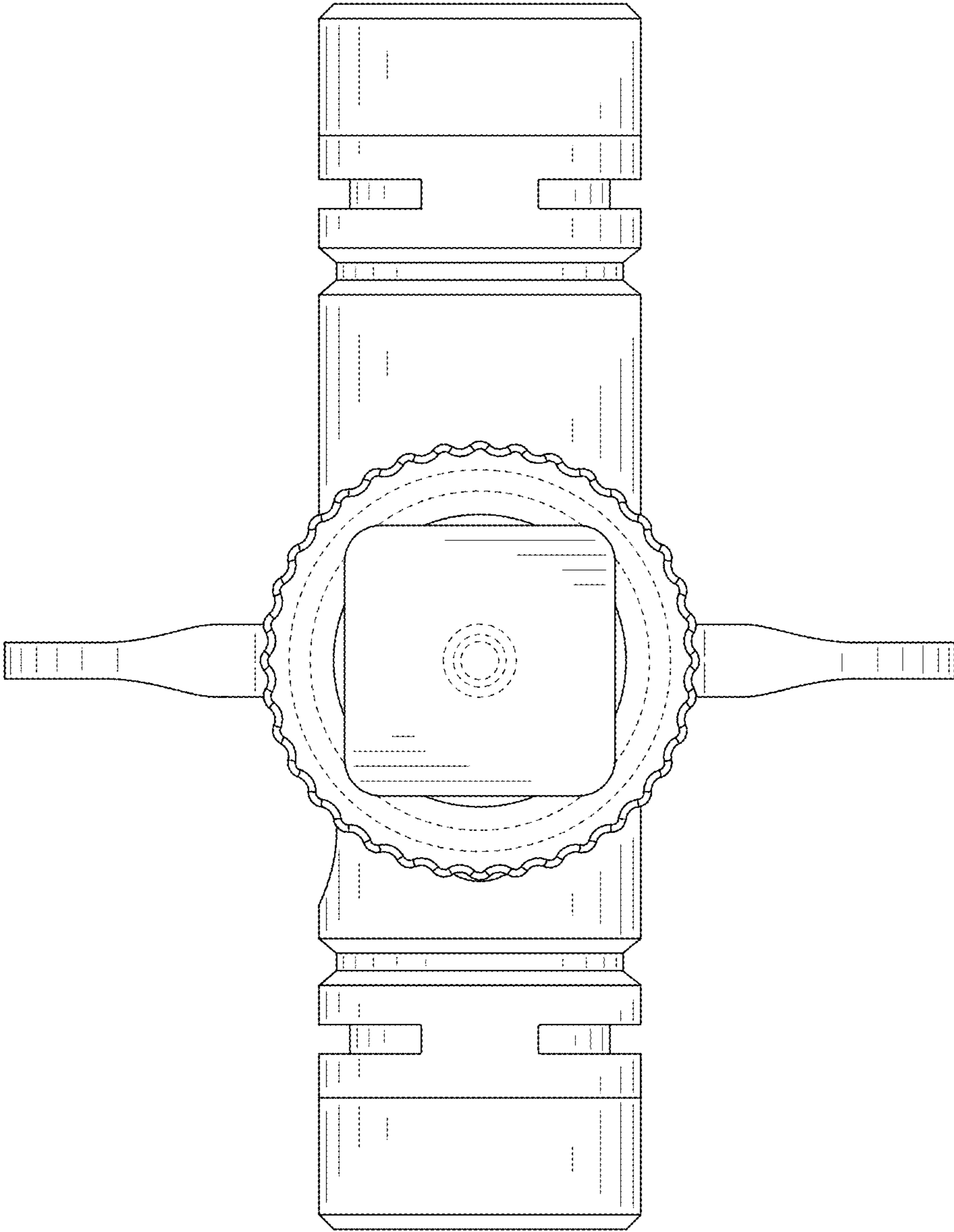


FIG. 6

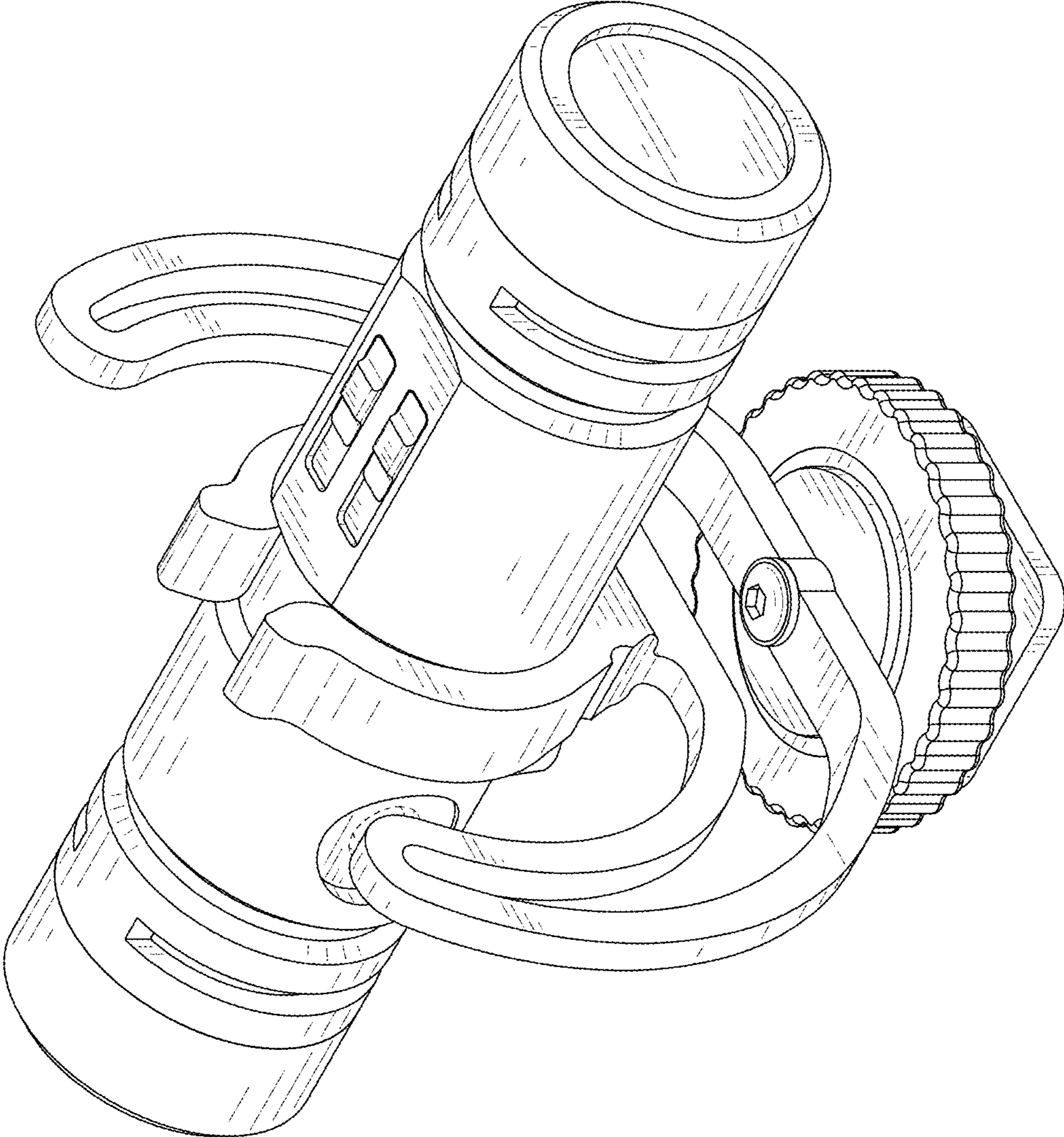


FIG. 7

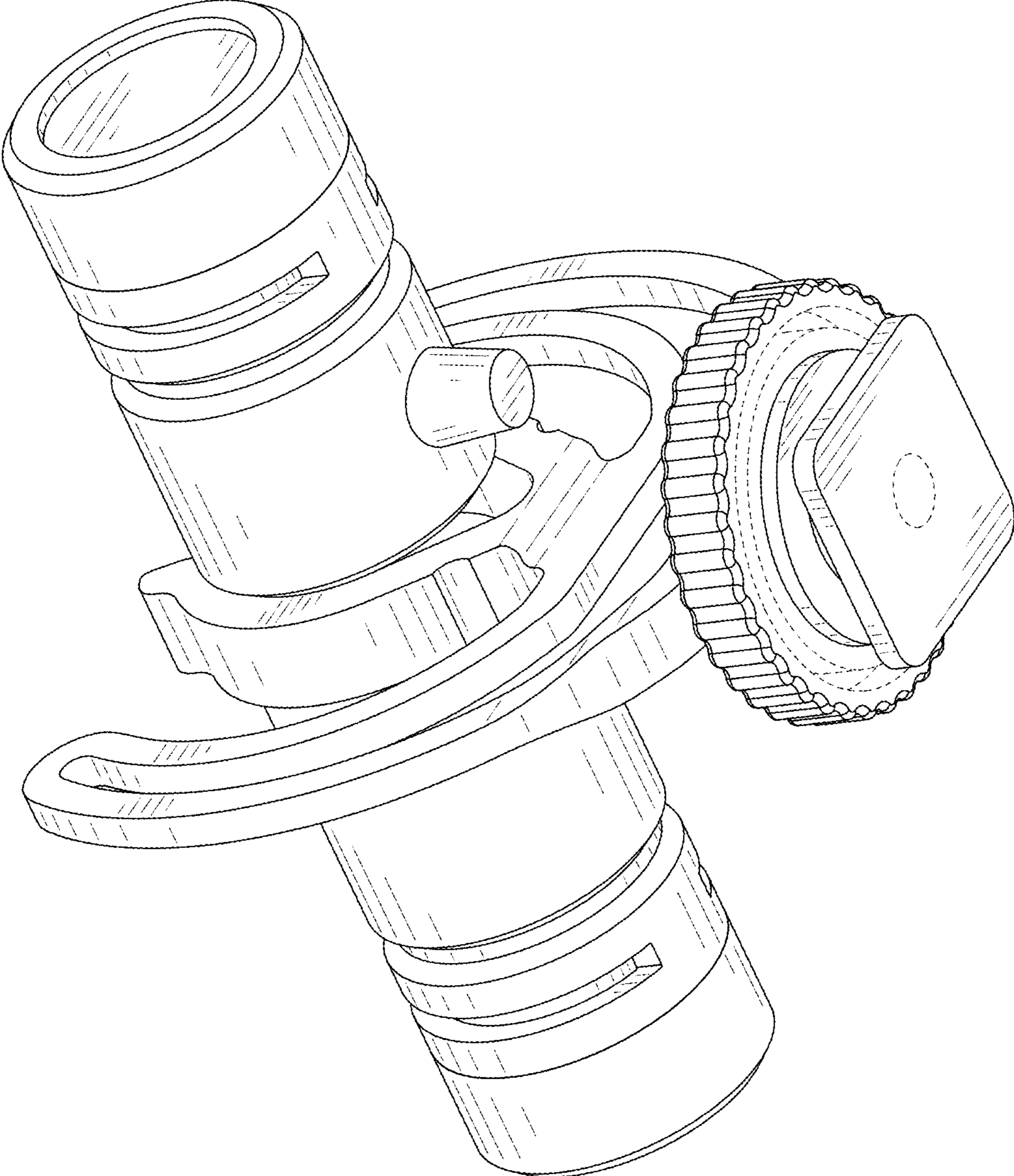


FIG. 8