



US00D940689S

(12) **United States Design Patent**
Feng et al.

(10) **Patent No.:** **US D940,689 S**
(45) **Date of Patent:** **** Jan. 11, 2022**

(54) **WIRELESS HEADSET**
(71) Applicant: **LUXSHARE PRECISION**
INDUSTRY CO., LTD., Shenzhen
(CN)
(72) Inventors: **Yun Feng**, New Territories (HK);
Zhenhua Liu, New Territories (HK);
Weijie Li, New Territories (HK)
(73) Assignee: **LUXSHARE PRECISION**
INDUSTRY CO., LTD., Shenzhen
(CN)

2,474,135 A * 6/1949 White H04R 25/656
381/381
D174,053 S * 2/1955 Norris D14/192
D177,346 S * 4/1956 Norris D14/192
2,910,679 A * 10/1959 Baldwin G08B 21/06
340/575
3,041,856 A * 7/1962 Neal A44C 7/00
63/14.1
3,045,225 A * 7/1962 Baldwin A61M 21/00
340/575
3,234,467 A * 2/1966 Haveson H04B 1/088
455/157.1

(Continued)

(**) Term: **15 Years**
(21) Appl. No.: **29/732,336**
(22) Filed: **Apr. 23, 2020**
(30) **Foreign Application Priority Data**

Mar. 4, 2020 (CN) 202030068974.X

(51) **LOC (13) Cl.** **14-01**
(52) **U.S. Cl.**
USPC **D14/223; D14/192**

(58) **Field of Classification Search**
USPC D14/223, 205, 188, 192, 142, 137, 240;
D24/174; D10/52, 53, 40, 60, 106.9,
D10/106.6; D11/79, 80, 121, 130;
128/907; 381/380, 381, 151, 129, 183,
381/187, 370, 374, 384; 379/430;
455/90.3, 575.1, 569.1
CPC H04R 1/10; H04R 25/00; H04R 25/02;
H04R 1/1066; H04R 1/1016; H04R
5/033; H04R 5/0335; H04R 1/105; H04R
1/1091
See application file for complete search history.

(56) **References Cited**
U.S. PATENT DOCUMENTS
1,599,961 A * 9/1926 Hall A61F 11/008
181/129
2,364,872 A * 12/1944 Rich A44C 7/00
63/14.1

FOREIGN PATENT DOCUMENTS

CN 3597835 * 1/2007
EM 008524714-0001 * 5/2021
GB 6102077 * 9/2020

Primary Examiner — Paula Allen Greene

(74) *Attorney, Agent, or Firm* — Birch, Stewart, Kolasch
& Birch, LLP

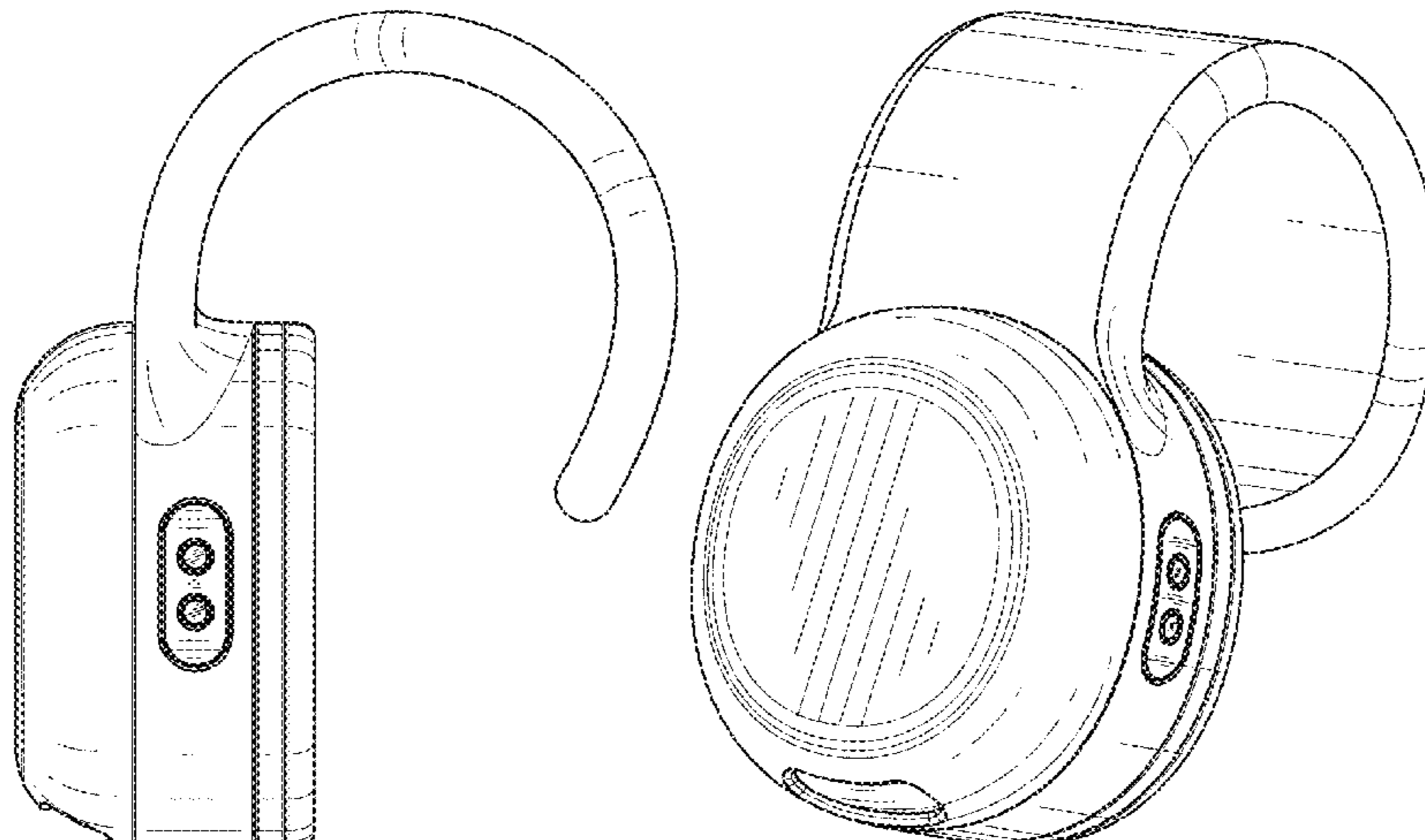
(57) **CLAIM**

The ornamental design for a wireless headset, as shown and described.

DESCRIPTION

FIG. 1 is a front view of a wireless headset showing my new design;
FIG. 2 is a rear view thereof;
FIG. 3 is a left view thereof;
FIG. 4 is a right view thereof;
FIG. 5 is a top view thereof;
FIG. 6 is a bottom view thereof;
FIG. 7 is a perspective view thereof; and,
FIG. 8 is another perspective view thereof.

1 Claim, 4 Drawing Sheets



US D940,689 S

(56)

References Cited

U.S. PATENT DOCUMENTS

3,821,647	A *	6/1974	Minasian	H03D 1/10 455/269	
3,862,378	A *	1/1975	Norris	H04M 1/05 379/430	
3,906,478	A *	9/1975	Smey	B60K 28/06 340/575	
4,529,058	A *	7/1985	Emery	H04R 1/105 181/129	
4,539,708	A *	9/1985	Norris	H04B 1/088 455/100	
4,550,227	A *	10/1985	Topholm	H04R 25/60 381/324	
D284,859	S *	7/1986	Okada	D14/192	
4,691,383	A *	9/1987	DeMars	H04B 1/086 379/430	
4,864,611	A *	9/1989	Helmuth	H04M 1/20 379/444	
4,972,468	A *	11/1990	Murase	H04B 1/385 379/430	
D321,881	S *	11/1991	Hopewell	D14/192	
D326,653	S *	6/1992	Hino	D14/192	
5,412,736	A *	5/1995	Keliiliki	H04R 1/105 381/330	
5,655,026	A *	8/1997	Peters	H04R 1/1066 381/370	
D383,757	S *	9/1997	Dobrusskin	D14/223	
D385,272	S *	10/1997	Jensen	D14/142	
5,790,683	A *	8/1998	Salzani	H04R 1/1066 381/370	
D427,936	S *	7/2000	Reif	D11/121	
6,101,260	A *	8/2000	Jensen	H04M 1/05 379/430	
D438,132	S *	2/2001	Givings	D10/104.1	
D443,261	S *	6/2001	Yuyama	D14/223	
6,418,230	B1 *	7/2002	McDonald	H04R 1/10 381/381	
D462,943	S *	9/2002	Lucaci	D14/206	
D463,791	S *	10/2002	Nagai	D14/205	
D464,638	S *	10/2002	Huang	D14/205	
D470,129	S *	2/2003	Hlas	D14/205	
D477,593	S *	7/2003	Komiyama	D14/223	
D478,573	S *	8/2003	Wrisley	D14/223	
D481,709	S *	11/2003	Solderits	D14/223	
D482,022	S *	11/2003	Nakano	D14/223	
6,728,388	B1 *	4/2004	Nageno	H04R 1/105 381/381	
					D497,613 S * 10/2004 Gwee D14/205
					D508,479 S * 8/2005 Okada D14/206
					D514,095 S * 1/2006 Wilson D14/223
					D515,069 S * 2/2006 Naito D14/205
					7,069,745 B1 * 7/2006 Finley A44C 7/009 63/14.1
					7,120,267 B2 * 10/2006 Ito H04R 1/1058 381/375
					D537,438 S * 2/2007 Hermansen D14/223
					7,184,565 B2 * 2/2007 Ohta H04R 1/1033 381/381
					D543,968 S * 6/2007 Wong D14/205
					D543,972 S * 6/2007 Taylor D14/223
					D557,684 S * 12/2007 Pundsack D14/205
					D572,170 S * 7/2008 Nielsen D11/207
					7,492,917 B2 * 2/2009 Ito H04R 1/10 381/370
					D588,111 S * 3/2009 Komiyama D14/223
					D593,075 S * 5/2009 Williams D14/223
					D601,126 S * 9/2009 Christopher D14/206
					D601,564 S * 10/2009 Maeno D14/400
					7,778,410 B2 * 8/2010 Liu H04M 1/05 379/430
					D633,899 S * 3/2011 Zheng D14/223
					D653,967 S * 2/2012 Blake D10/31
					D664,124 S * 7/2012 Smith D14/223
					D667,815 S * 9/2012 Chiu D14/206
					D683,251 S * 5/2013 Dumas D10/104.2
					D735,131 S * 7/2015 Akana D13/108
					D768,114 S * 10/2016 Hou D14/218
					D773,437 S * 12/2016 Lee D14/223
					D780,157 S * 2/2017 Uggla D14/205
					D794,556 S * 8/2017 Liao D13/107
					D795,225 S * 8/2017 Sumii D14/223
					D809,486 S * 2/2018 Arimoto D14/223
					D809,487 S * 2/2018 Lee D14/223
					9,949,014 B2 * 4/2018 Cramer H04R 1/1008
					D816,637 S * 5/2018 Hardi D14/205
					D853,358 S * 7/2019 Damboulev D14/223
					D853,992 S * 7/2019 Kuh D14/223
					D853,993 S * 7/2019 Kuh D14/223
					D872,065 S * 1/2020 Cai D14/223
					2003/0044038 A1 * 3/2003 Shirata H04R 1/105 381/381
					2008/0152183 A1 * 6/2008 Janik H04M 1/05 381/375
					2013/0010997 A1 * 1/2013 Tanaka A61B 5/01 381/380

* cited by examiner

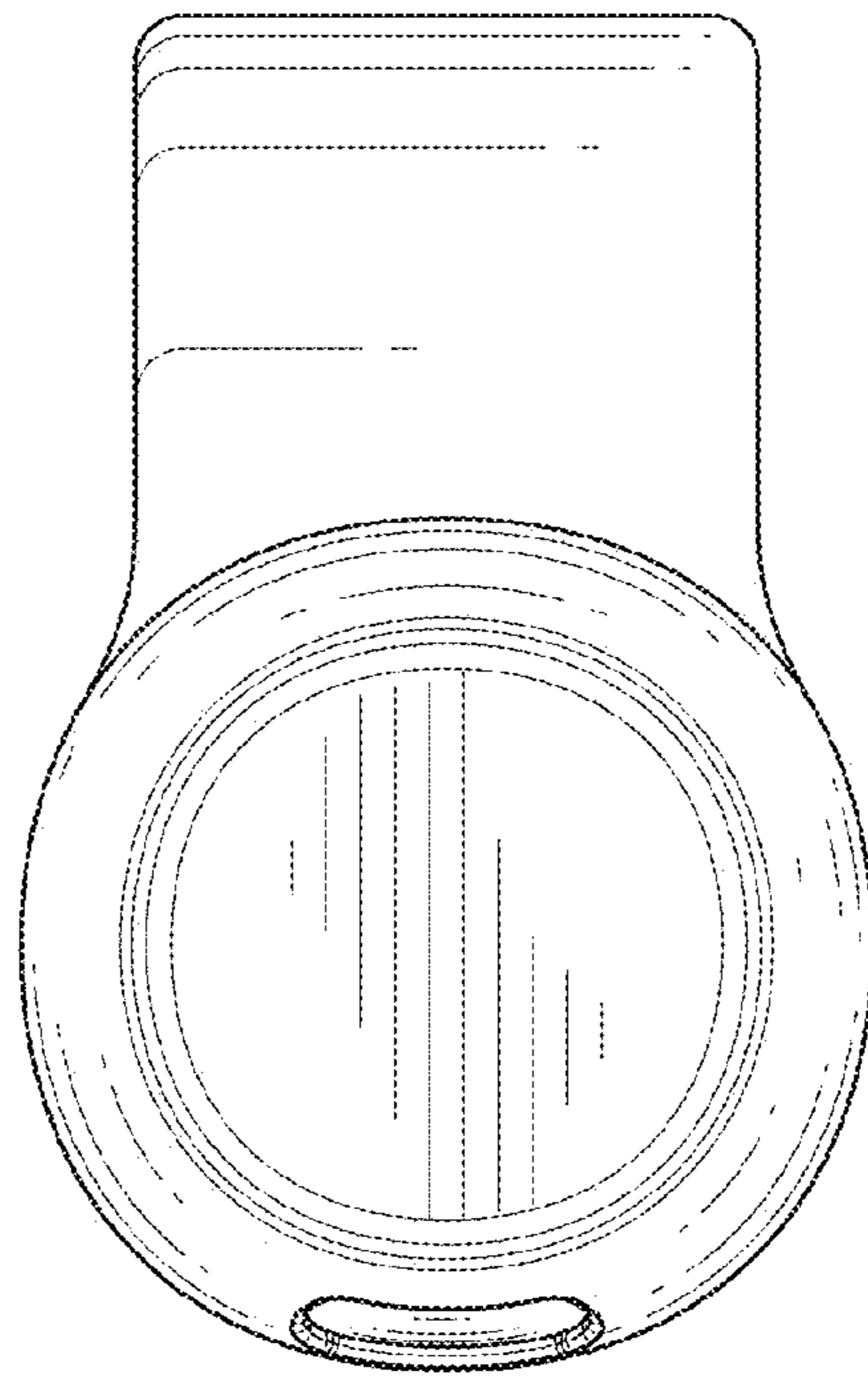


FIG. 1

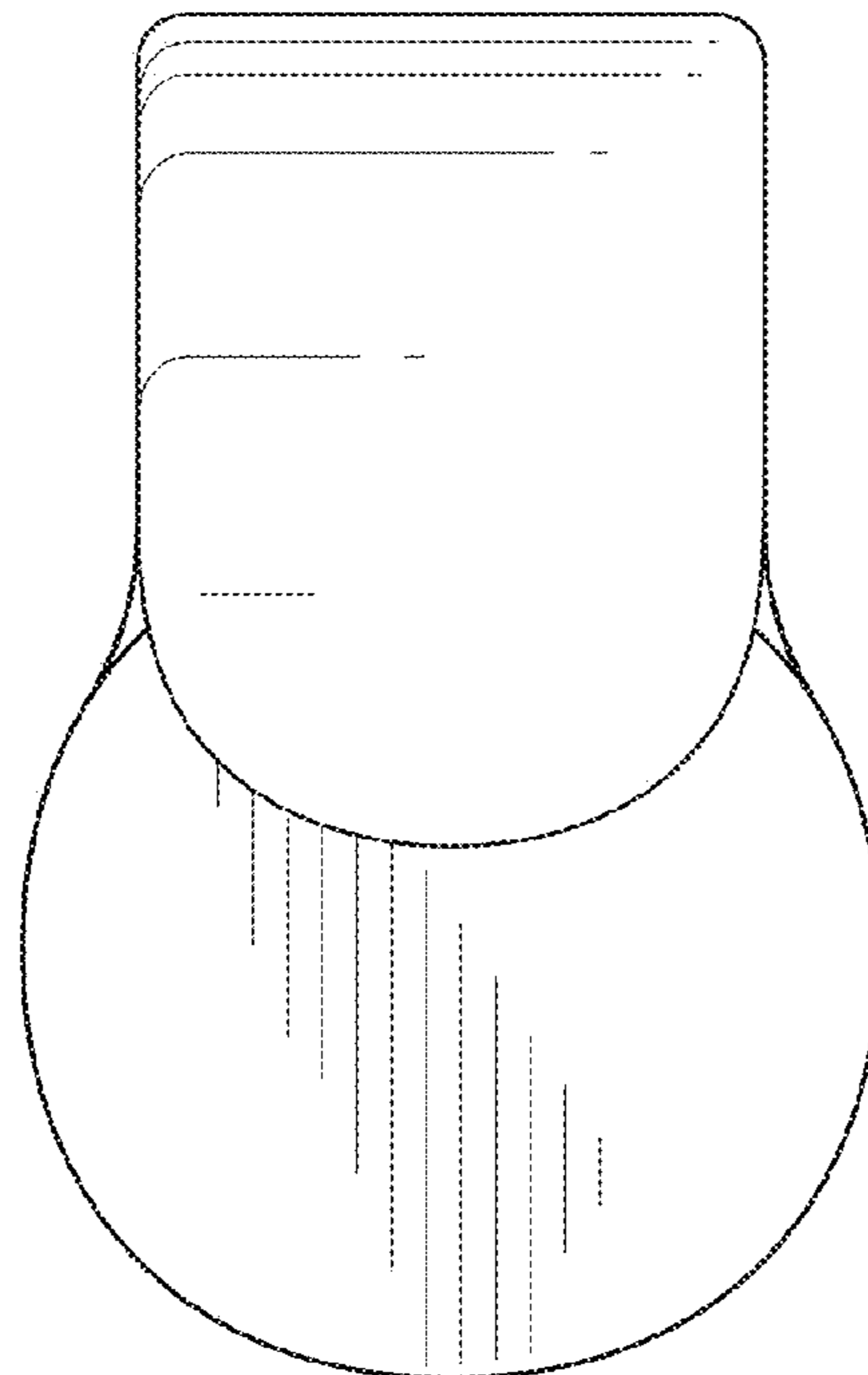


FIG. 2

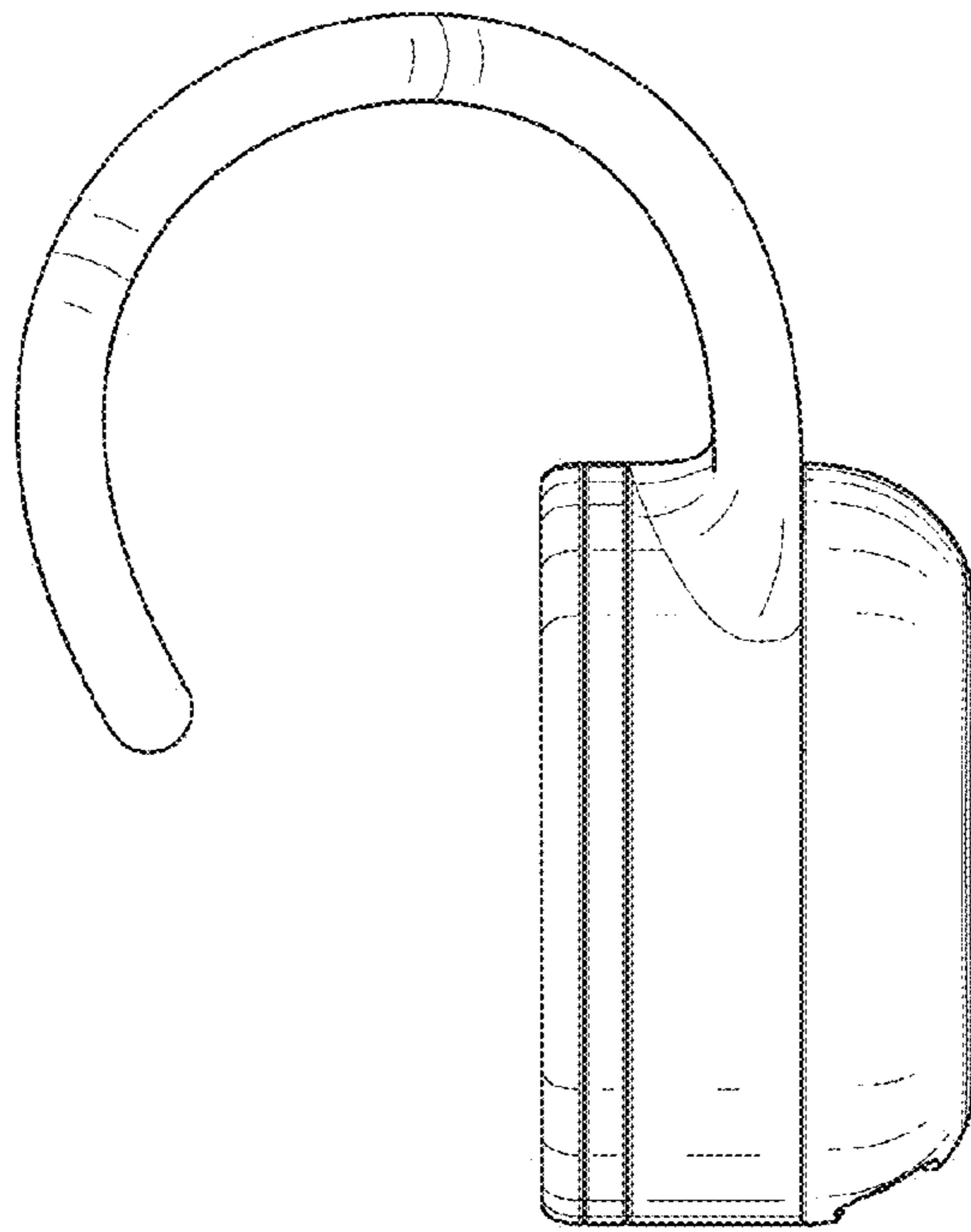


FIG.3

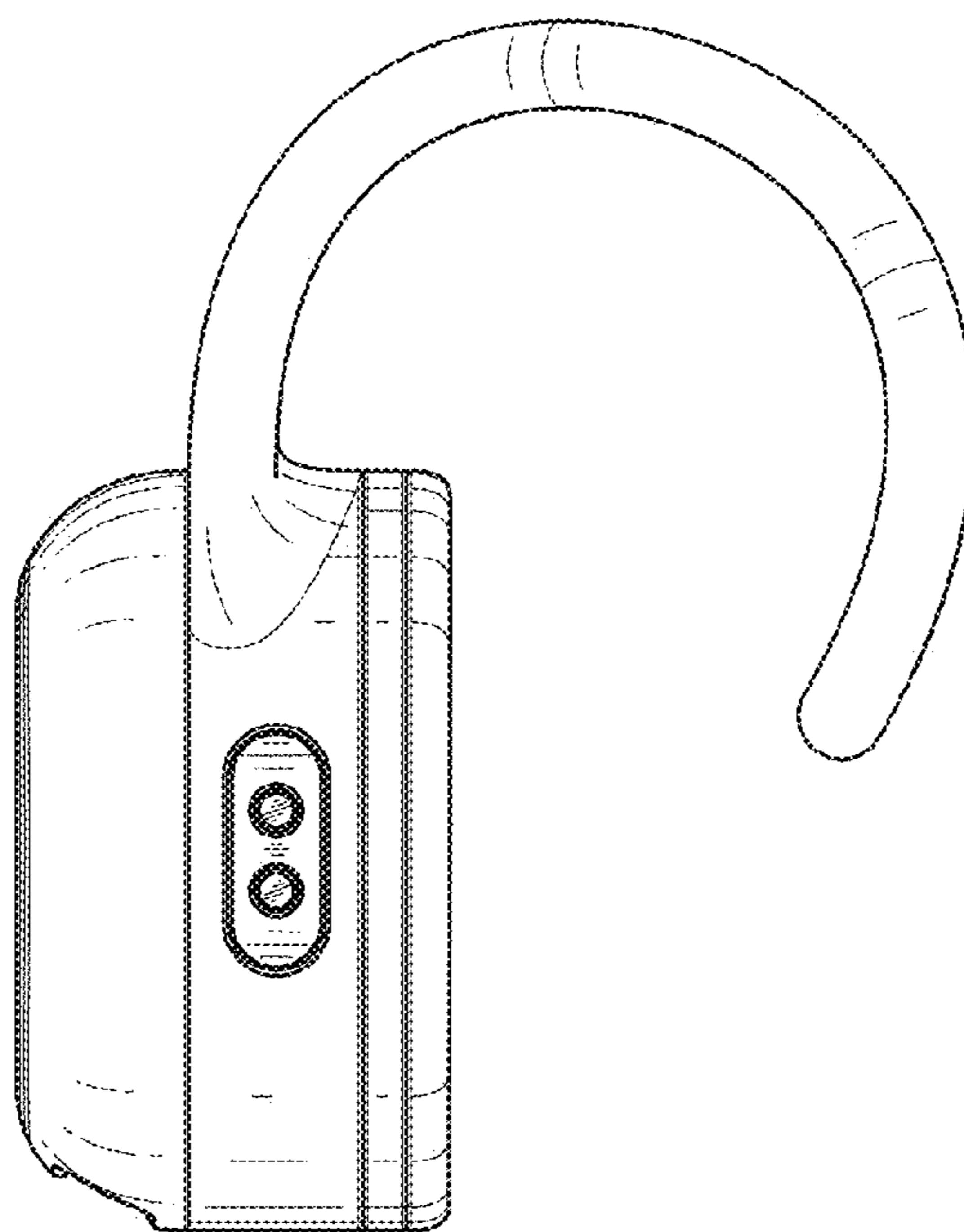


FIG.4

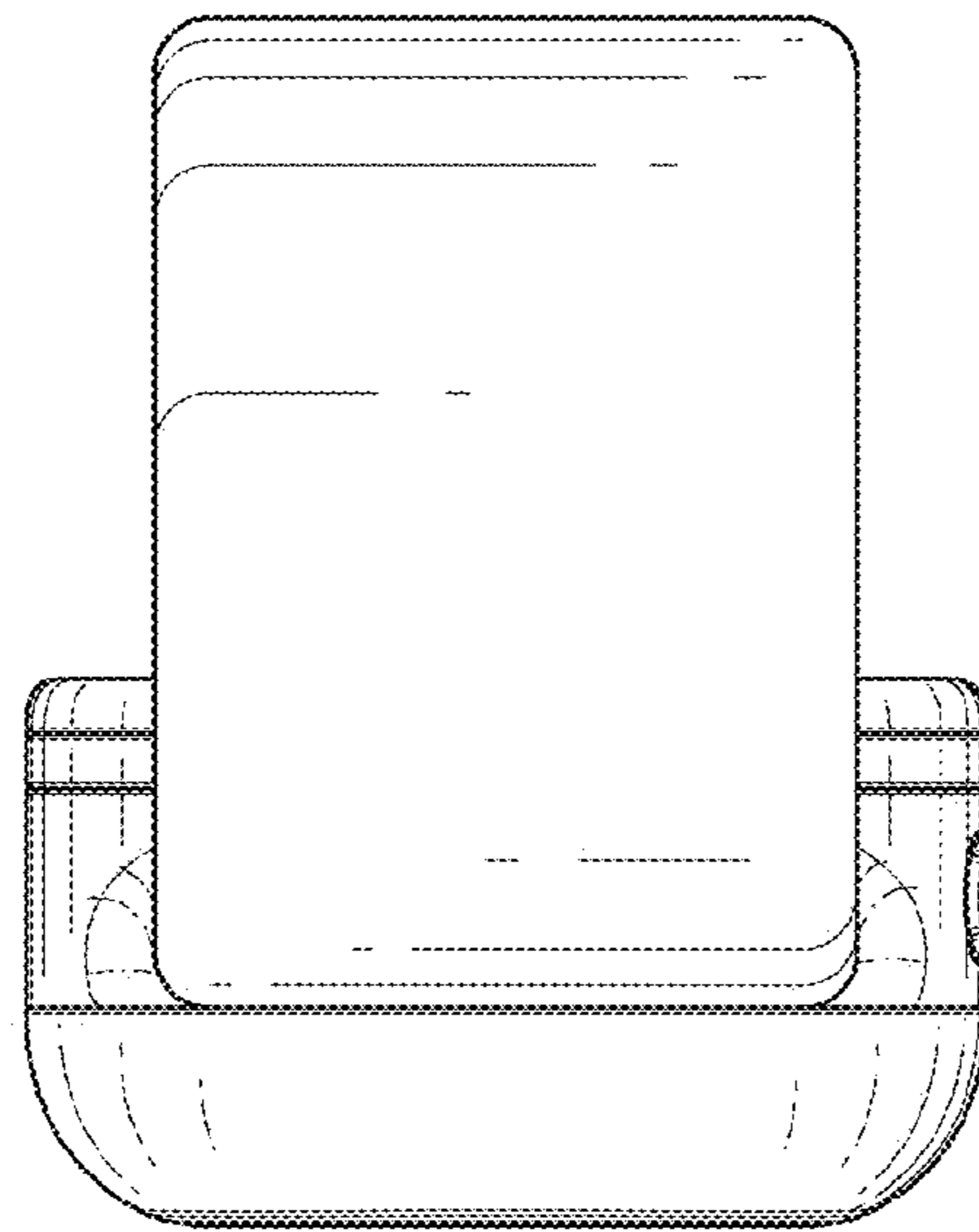


FIG. 5

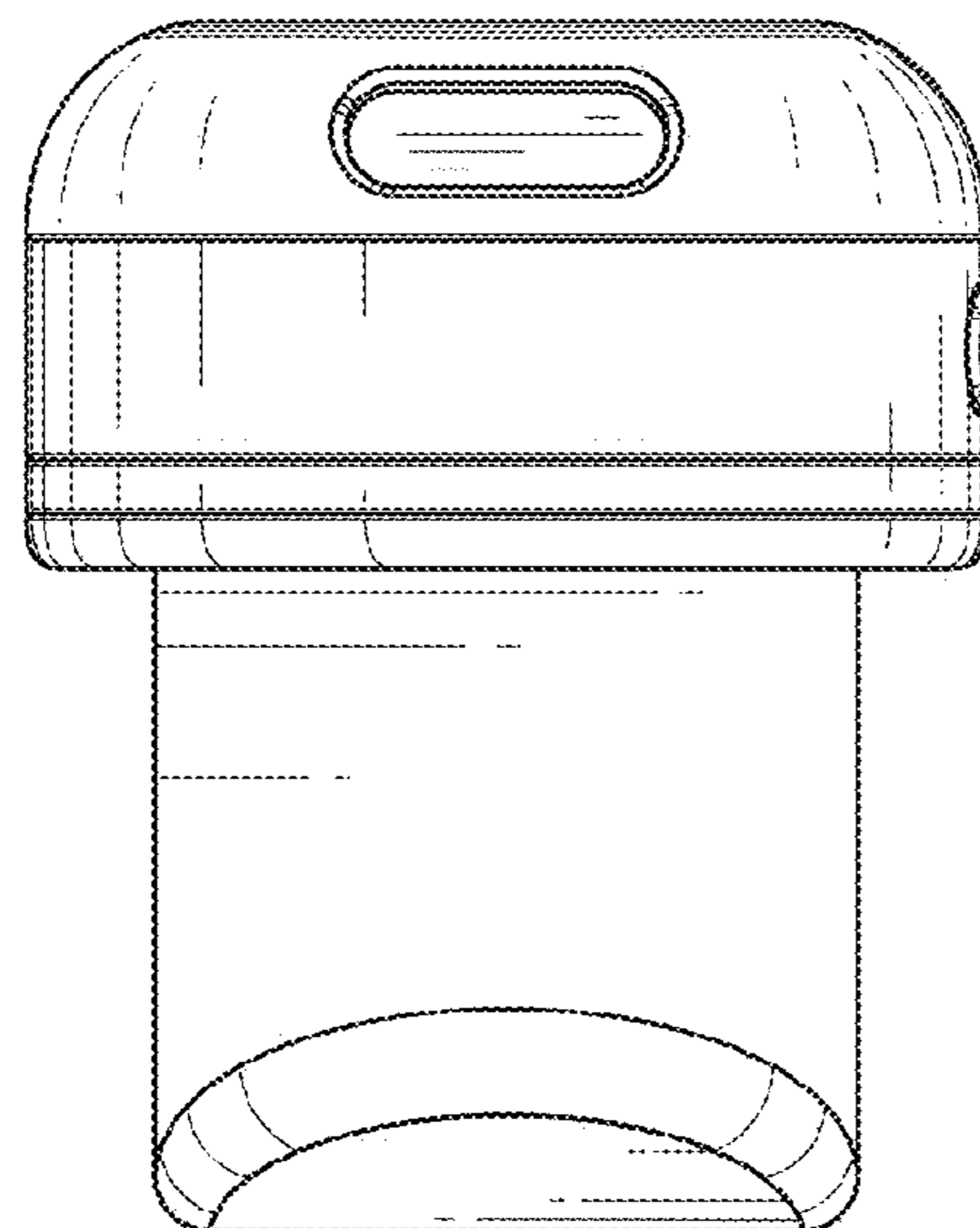


FIG. 6

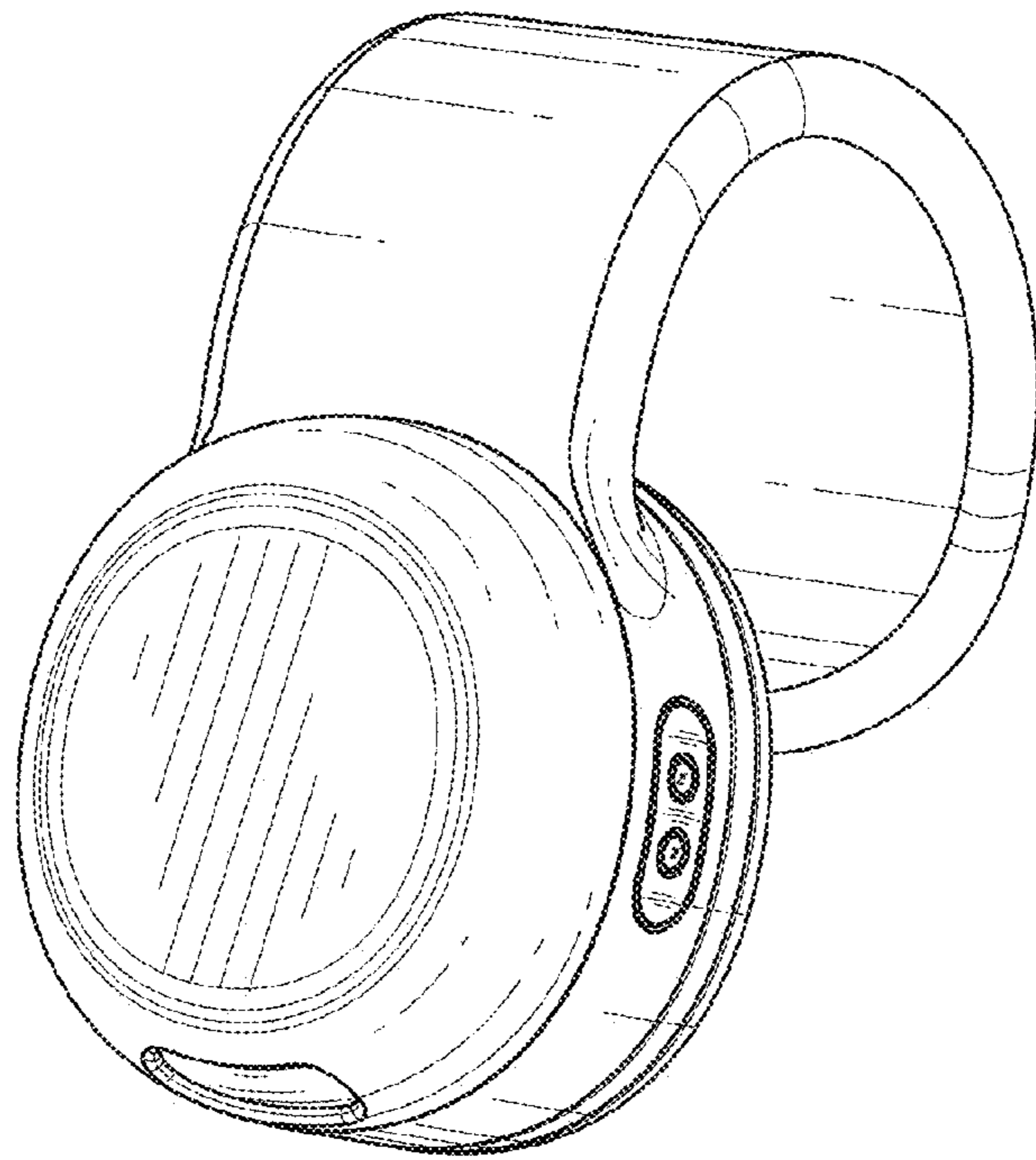


FIG. 7

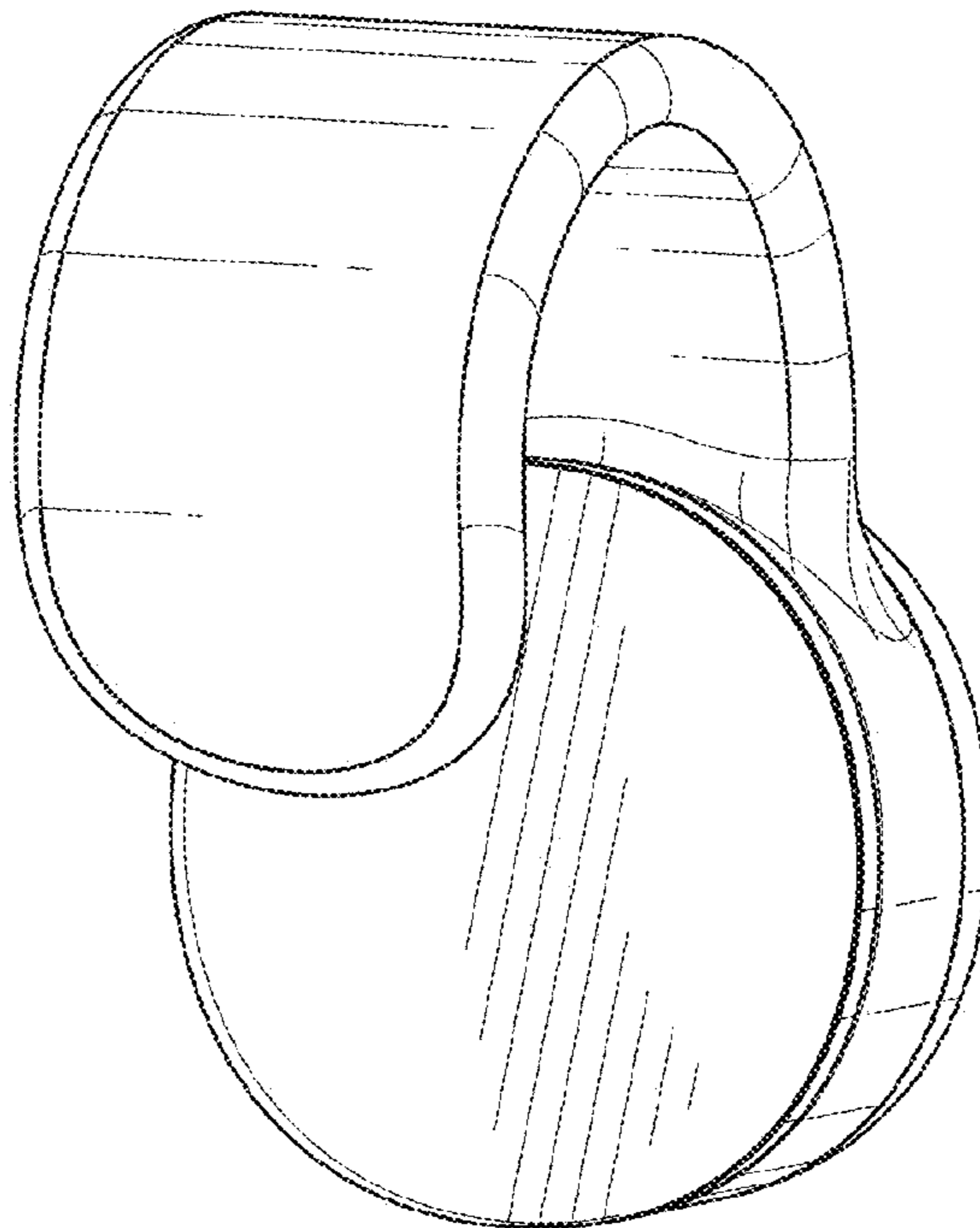


FIG. 8