



US00D940686S

(12) **United States Design Patent**
Yang et al.

(10) **Patent No.:** **US D940,686 S**
(45) **Date of Patent:** **** *Jan. 11, 2022**

- (54) **COMMUNICATIONS HEADSET**
- (71) Applicant: **Plantronics, Inc.**, Santa Cruz, CA (US)
- (72) Inventors: **Joseph W. Yang**, San Jose, CA (US);
Gary T. Brint, Scotts Valley, CA (US);
John A. Kelley, Santa Cruz, CA (US);
Nicholas W. Paterson, Aptos, CA (US)
- (73) Assignee: **Plantronics, Inc.**, Santa Cruz, CA (US)
- (*) Notice: This patent is subject to a terminal disclaimer.
- (**) Term: **15 Years**
- (21) Appl. No.: **29/798,781**
- (22) Filed: **Jul. 9, 2021**

Related U.S. Application Data

- (62) Division of application No. 29/705,717, filed on Sep. 13, 2019, now Pat. No. Des. 927,455.
- (51) **LOC (13) Cl.** **14-01**
- (52) **U.S. Cl.**
USPC **D14/206; D14/205**
- (58) **Field of Classification Search**
USPC D14/205, 223, 188, 192, 206, 226;
D29/112; 2/209; 381/381, 374, 74, 380;
455/90.3, 575.1, 569.1
CPC H04R 1/10; H04R 25/00; H04R 25/02;
H04R 1/1066; H04R 1/1016; H04R
5/033; H04R 5/0335; H04R 1/1058;
H04R 1/008; H04R 1/1083; H04R 1/1091
See application file for complete search history.

(56) **References Cited**

U.S. PATENT DOCUMENTS

- 1,648,832 A 11/1927 Urban
- 2,910,679 A 10/1959 Baldwin
- 4,420,657 A 12/1983 Larkin

- 4,634,816 A 1/1987 O'Malley et al.
- 4,875,233 A * 10/1989 Derhaag H04M 1/05
379/430
- 5,293,647 A * 3/1994 Mirmilshteyn H04R 1/10
2/209

(Continued)

FOREIGN PATENT DOCUMENTS

- EM 006268900-0001 * 2/2019
- EM 006307104-0002 * 3/2019

(Continued)

OTHER PUBLICATIONS

Taiwan IPO Search Report issued in Taiwan Design Patent Application No. 109301211 dated Aug. 24, 2020.

Primary Examiner — Paula Allen Greene

(74) *Attorney, Agent, or Firm* — Ferguson Braswell
Fraser Kubasta PC

(57) **CLAIM**

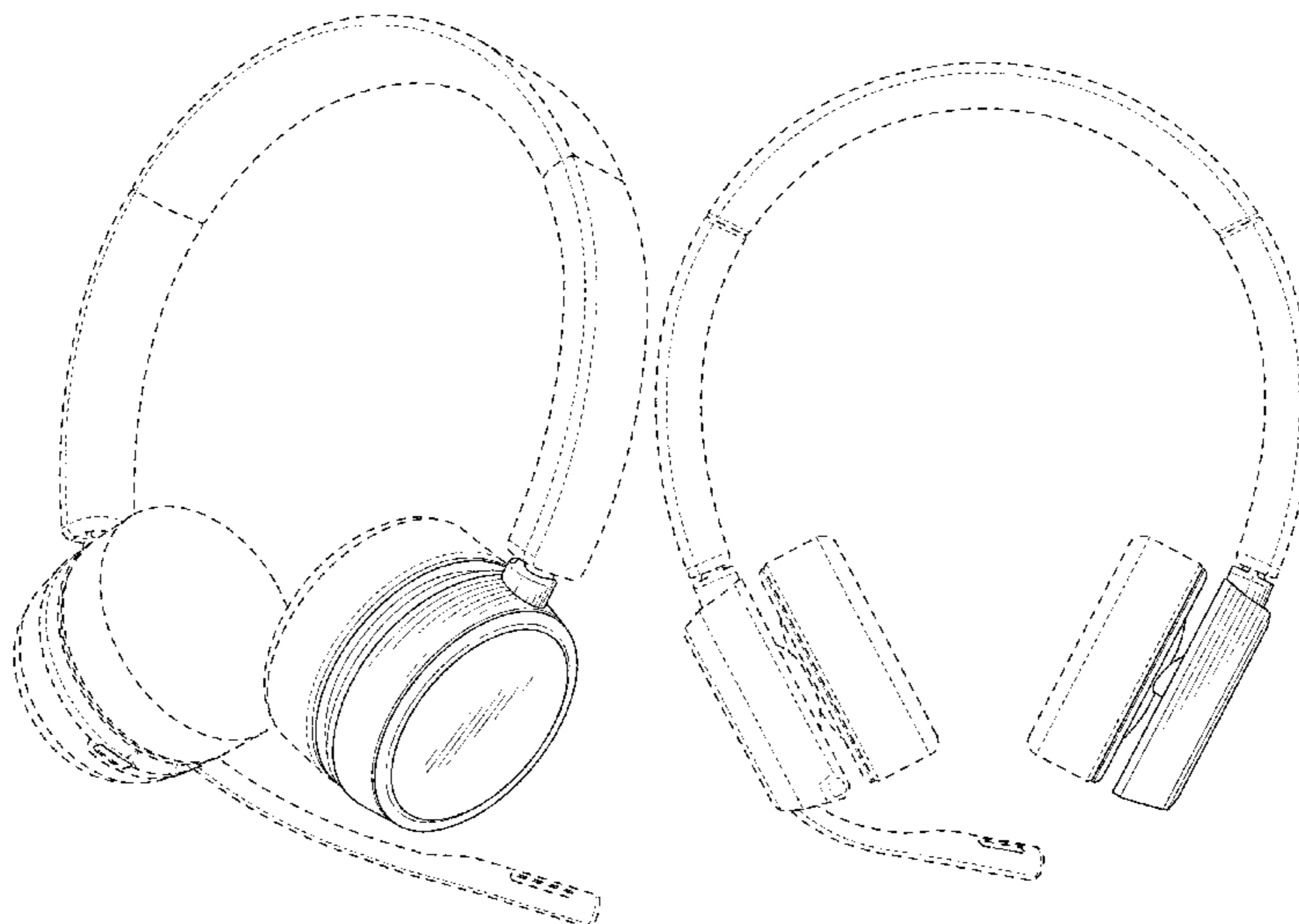
The ornamental design for a communications headset, as shown and described.

DESCRIPTION

FIG. 1 is a front-left perspective view of a communications headset showing my new design;
FIG. 2 is a back-right perspective view thereof;
FIG. 3 is a right-side view thereof;
FIG. 4 is a left-side view thereof;
FIG. 5 is a back view thereof;
FIG. 6 is a front view thereof;
FIG. 7 is a top view thereof; and,
FIG. 8 is a bottom view thereof.

The broken lines show the unclaimed features and form no part of the claimed design. The broken lines immediately adjacent the shaded areas represent bounds of the claimed design while all other broken lines are directed to environment that is for purposes of illustration only, the broken lines form no part of the claimed design.

1 Claim, 8 Drawing Sheets



US D940,686 S

(56)

References Cited

U.S. PATENT DOCUMENTS

<p>5,369,857 A 12/1994 Sacherman et al.</p> <p>5,422,957 A * 6/1995 Cummins B65H 75/4431 381/384</p> <p>D381,987 S * 8/1997 Tsuge D14/205</p> <p>5,787,166 A 7/1998 Ullman</p> <p>D406,140 S * 2/1999 Hall D14/205</p> <p>D410,466 S * 6/1999 Mouri D14/205</p> <p>6,154,539 A * 11/2000 Pitel H04M 1/05 379/430</p> <p>D449,034 S 10/2001 Weikel et al.</p> <p>D449,039 S * 10/2001 Weikel D14/227</p> <p>D451,907 S * 12/2001 Amae D14/206</p> <p>D463,784 S * 10/2002 Taylor D14/206</p> <p>6,560,346 B2 5/2003 Ohta et al.</p> <p>D481,709 S * 11/2003 Solderits D14/223</p> <p>D484,485 S * 12/2003 Matsuoka D14/205</p> <p>D498,227 S * 11/2004 Dyer D14/205</p> <p>6,819,762 B2 11/2004 Jones et al.</p> <p>D504,419 S * 4/2005 Bey D14/223</p> <p>D505,413 S * 5/2005 Skulley D14/223</p> <p>D506,258 S * 6/2005 Nielsen D24/174</p> <p>D510,082 S * 9/2005 Olson D14/206</p> <p>D510,335 S * 10/2005 Suzuki D14/205</p> <p>6,980,666 B1 12/2005 Owen</p> <p>D517,528 S * 3/2006 Skulley D14/206</p> <p>D520,496 S * 5/2006 Gwee D14/205</p> <p>D521,492 S * 5/2006 Ham D14/205</p> <p>7,106,877 B1 9/2006 Linville</p> <p>D531,165 S * 10/2006 Rath D14/206</p> <p>D537,815 S * 3/2007 Bentley D14/206</p> <p>D539,267 S * 3/2007 Komiyama D14/205</p> <p>D540,313 S * 4/2007 Rausch D14/225</p> <p>D540,778 S * 4/2007 Thompson D14/206</p> <p>D541,787 S * 5/2007 Ma D14/205</p> <p>D549,688 S * 8/2007 Suzuki D14/205</p> <p>D567,220 S * 4/2008 Wang D14/206</p> <p>7,356,362 B2 * 4/2008 Chang H04R 1/1033 379/430</p> <p>D588,098 S * 3/2009 Kurihara D14/205</p> <p>D589,492 S * 3/2009 Mistry D14/205</p> <p>D593,993 S * 6/2009 Kim D14/203.7</p> <p>D597,072 S * 7/2009 Asai D14/206</p> <p>D602,001 S * 10/2009 Bentley D14/206</p> <p>D602,906 S * 10/2009 Groves D14/205</p> <p>D603,372 S * 11/2009 Bentley D14/206</p> <p>D616,418 S * 5/2010 Morisawa D14/205</p> <p>7,717,226 B2 * 5/2010 Purcell A61F 11/14 181/129</p> <p>D617,771 S * 6/2010 Groves D14/206</p> <p>D635,548 S 4/2011 Kelley</p> <p>D635,959 S * 4/2011 Hutchieson D14/205</p> <p>D638,000 S * 5/2011 Hoggarth D14/206</p> <p>D642,554 S * 8/2011 Schaal D14/205</p> <p>D643,405 S 8/2011 Rath</p> <p>D647,877 S 11/2011 Son</p> <p>8,085,966 B2 * 12/2011 Amsel H04R 1/025 381/370</p> <p>D652,017 S 1/2012 Groves et al.</p> <p>D654,471 S * 2/2012 Fischer D14/206</p> <p>D654,472 S * 2/2012 Fischer D14/206</p> <p>D662,080 S * 6/2012 Carr D14/205</p> <p>D670,267 S * 11/2012 Maddern D14/206</p> <p>D671,914 S * 12/2012 Lee D14/205</p> <p>D671,915 S * 12/2012 Birger D14/206</p> <p>D674,767 S * 1/2013 Brunner D14/205</p> <p>D677,647 S * 3/2013 Lee D14/205</p> <p>D681,014 S * 4/2013 Ham D14/223</p> <p>D684,141 S * 6/2013 Takamoto D14/205</p> <p>D691,112 S 10/2013 Brunner et al.</p> <p>D691,579 S * 10/2013 Lee D14/205</p> <p>D692,410 S * 10/2013 Brunner H04R 1/1008 D14/206</p> <p>D695,263 S * 12/2013 Mogili D14/205</p> <p>8,605,934 B2 12/2013 Hagberg et al.</p>	<p>8,755,555 B2 * 6/2014 Dougherty H04R 1/1066 381/378</p> <p>D713,817 S * 9/2014 Paterson D14/205</p> <p>D716,258 S * 10/2014 Awiszus D14/206</p> <p>D716,259 S * 10/2014 Awiszus D14/206</p> <p>D716,760 S * 11/2014 Brunner D14/206</p> <p>D717,767 S * 11/2014 Mistry D14/206</p> <p>D725,628 S * 3/2015 Tompkin D14/205</p> <p>D725,630 S * 3/2015 Nakagawa D14/205</p> <p>8,983,108 B2 * 3/2015 Ho H04R 1/1016 381/380</p> <p>D729,196 S * 5/2015 Liu D14/205</p> <p>9,031,254 B2 * 5/2015 Heise H04R 1/1066 381/74</p> <p>D730,868 S 6/2015 Birger</p> <p>D732,503 S 6/2015 Brunner et al.</p> <p>D734,296 S 7/2015 Paterson et al.</p> <p>D741,842 S 10/2015 Levine</p> <p>D750,043 S 2/2016 Birger</p> <p>D782,120 S * 3/2017 Patel D29/122</p> <p>D794,601 S 8/2017 Riggs et al.</p> <p>D794,602 S * 8/2017 Riggs D14/205</p> <p>D794,603 S 8/2017 Riggs et al.</p> <p>D806,676 S * 1/2018 Fuglsang D14/206</p> <p>D807,322 S * 1/2018 Damboulev D14/205</p> <p>D809,478 S 2/2018 Arimoto et al.</p> <p>D811,365 S * 2/2018 Czaniecki D14/205</p> <p>D820,812 S 6/2018 Bidwell et al.</p> <p>D822,638 S 7/2018 Liu</p> <p>D826,208 S * 8/2018 Czaniecki D14/205</p> <p>D830,339 S 10/2018 Yan</p> <p>D836,085 S 12/2018 Sun et al.</p> <p>D838,687 S * 1/2019 Wu D14/205</p> <p>D842,270 S * 3/2019 Chen D14/205</p> <p>D843,967 S 3/2019 Paterson et al.</p> <p>D847,778 S * 5/2019 Hardi D14/205</p> <p>D848,395 S 5/2019 Kelley</p> <p>D851,628 S 6/2019 Wernblad et al.</p> <p>D855,036 S 7/2019 Yan</p> <p>D856,303 S * 8/2019 Ando D14/205</p> <p>D857,652 S * 8/2019 Wang D14/205</p> <p>D861,636 S * 10/2019 Carr D14/205</p> <p>D864,155 S 10/2019 Liu</p> <p>D864,156 S 10/2019 Liu</p> <p>10,455,314 B1 * 10/2019 Yang H04R 1/1058</p> <p>D866,509 S 11/2019 Lindof</p> <p>D866,510 S 11/2019 Lindof</p> <p>D866,512 S * 11/2019 Lindof D14/206</p> <p>D866,513 S 11/2019 Lindof</p> <p>D866,514 S 11/2019 Lindof</p> <p>D867,330 S 11/2019 Lindof</p> <p>D867,331 S 11/2019 Lindof</p> <p>D869,430 S 12/2019 Rama et al.</p> <p>D870,069 S 12/2019 Hu</p> <p>D874,736 S 2/2020 Bui</p> <p>D875,073 S 2/2020 Pedersen</p> <p>D877,714 S * 3/2020 Dhondt D14/205</p> <p>D878,327 S * 3/2020 Dhondt D14/205</p> <p>D878,329 S * 3/2020 Levine D14/205</p> <p>D881,157 S * 4/2020 Chen D14/205</p> <p>D885,364 S * 5/2020 Paterson D14/206</p> <p>D888,010 S * 6/2020 Lindenberger D14/205</p> <p>D890,123 S * 7/2020 Yoshimura D14/205</p> <p>D893,453 S * 8/2020 Levine D14/205</p> <p>D895,570 S 9/2020 Choi et al.</p> <p>D898,711 S 10/2020 Pedersen</p> <p>D920,283 S * 5/2021 Levine D14/205</p> <p>D926,724 S * 8/2021 D'Ambrosio D14/205</p> <p>D927,451 S * 8/2021 Paterson D14/205</p> <p>D927,452 S * 8/2021 Paterson D14/205</p> <p>D927,455 S * 8/2021 Yang D14/206</p> <p>2005/0286717 A1 12/2005 Viduya et al.</p> <p>2009/0041288 A1 * 2/2009 Liu H04R 1/1066 381/381</p> <p>2012/0328119 A1 12/2012 Heise</p>
---	---

(56)

References Cited

U.S. PATENT DOCUMENTS

2017/0041695 A1 2/2017 Hernandez Vazquez
2018/0139524 A1* 5/2018 Pi H04R 1/105

FOREIGN PATENT DOCUMENTS

GB	9006307104-0002	*	3/2019
JP	1568163 S		1/2017
JP	1603450 S		5/2018
JP	1621749 S		1/2019
JP	D1666731	*	8/2020
TW	168778		7/2015
TW	173671		2/2016
TW	191632 S		7/2018

* cited by examiner

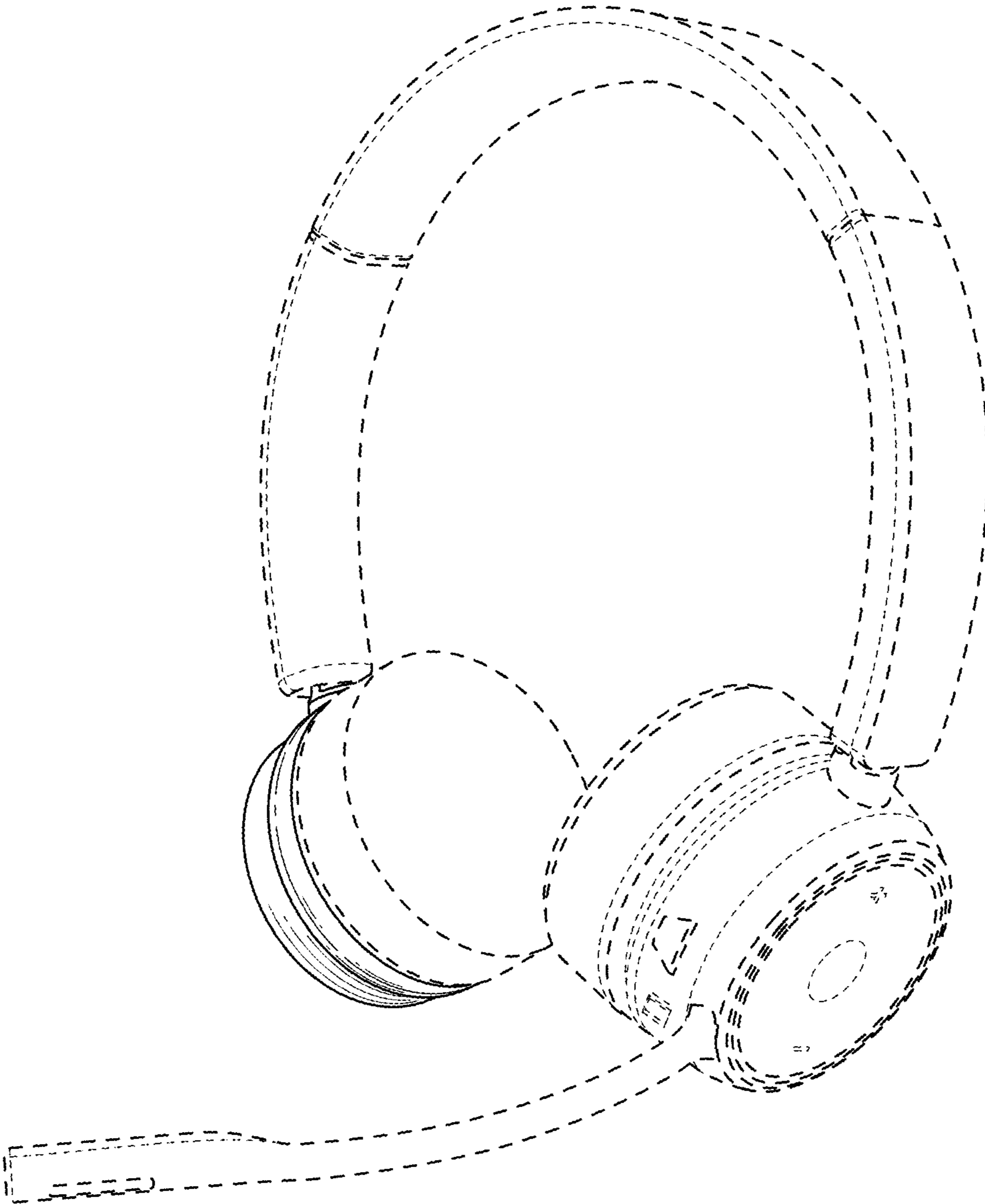


FIG. 1

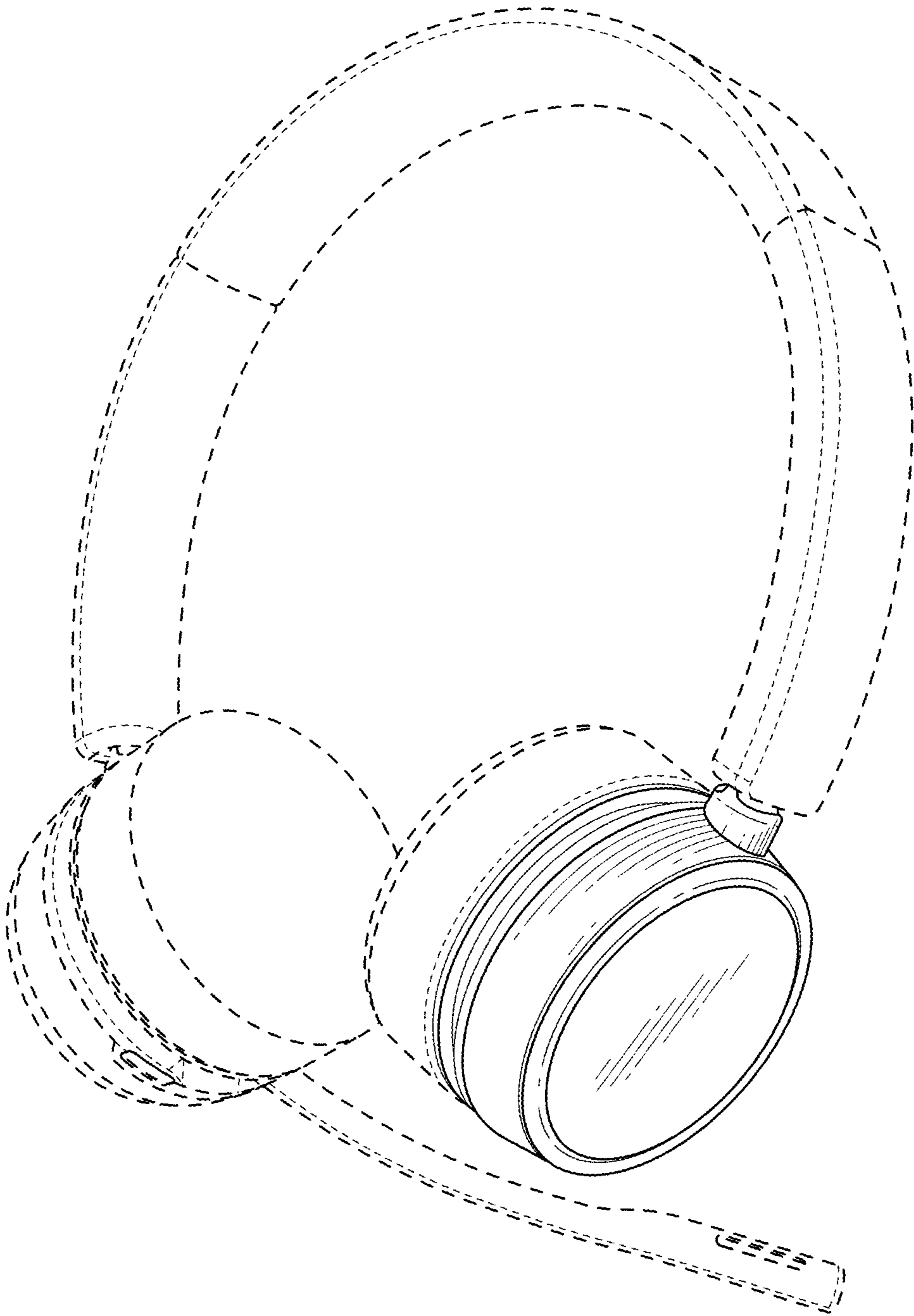


FIG. 2

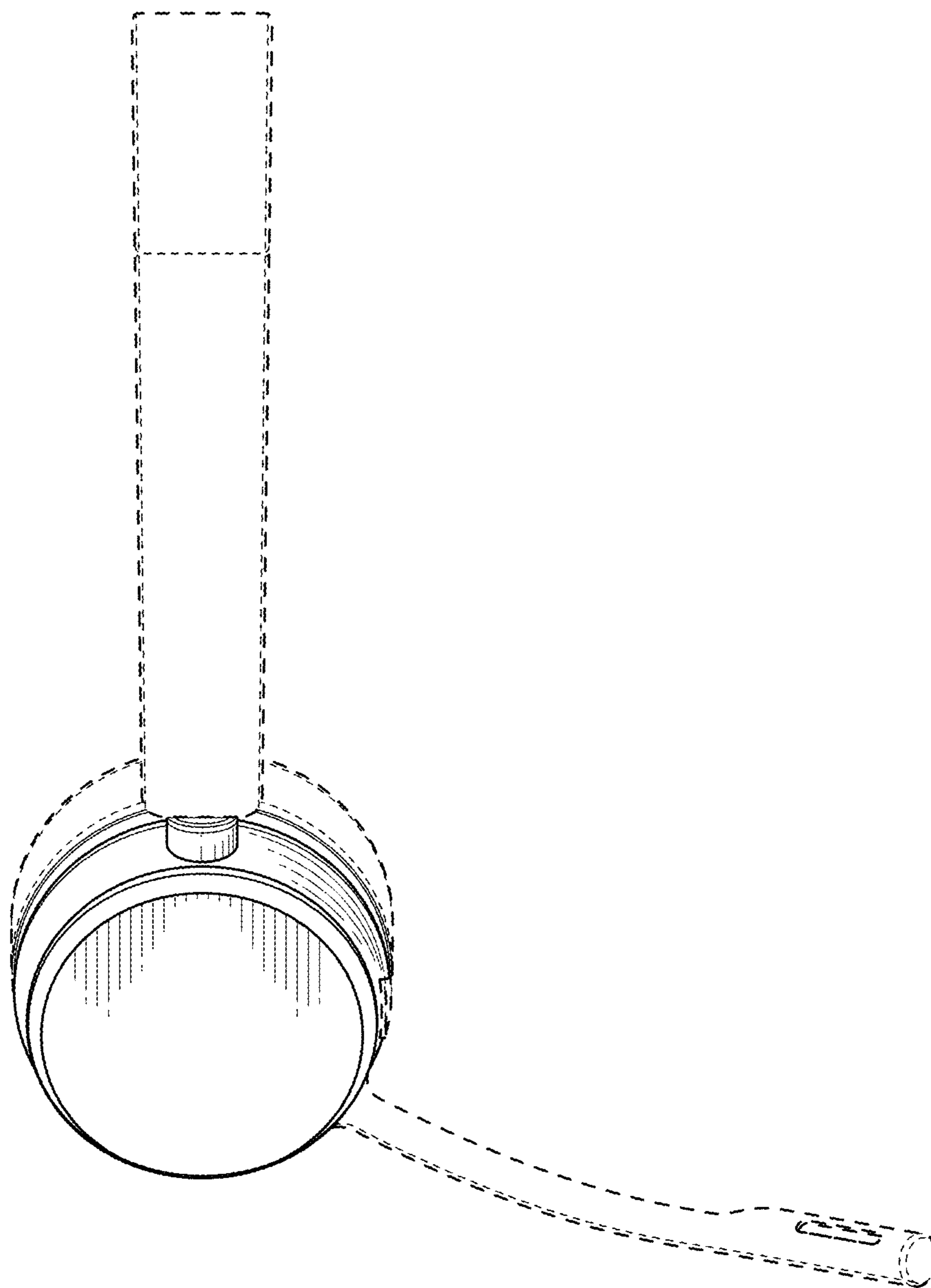


FIG. 3

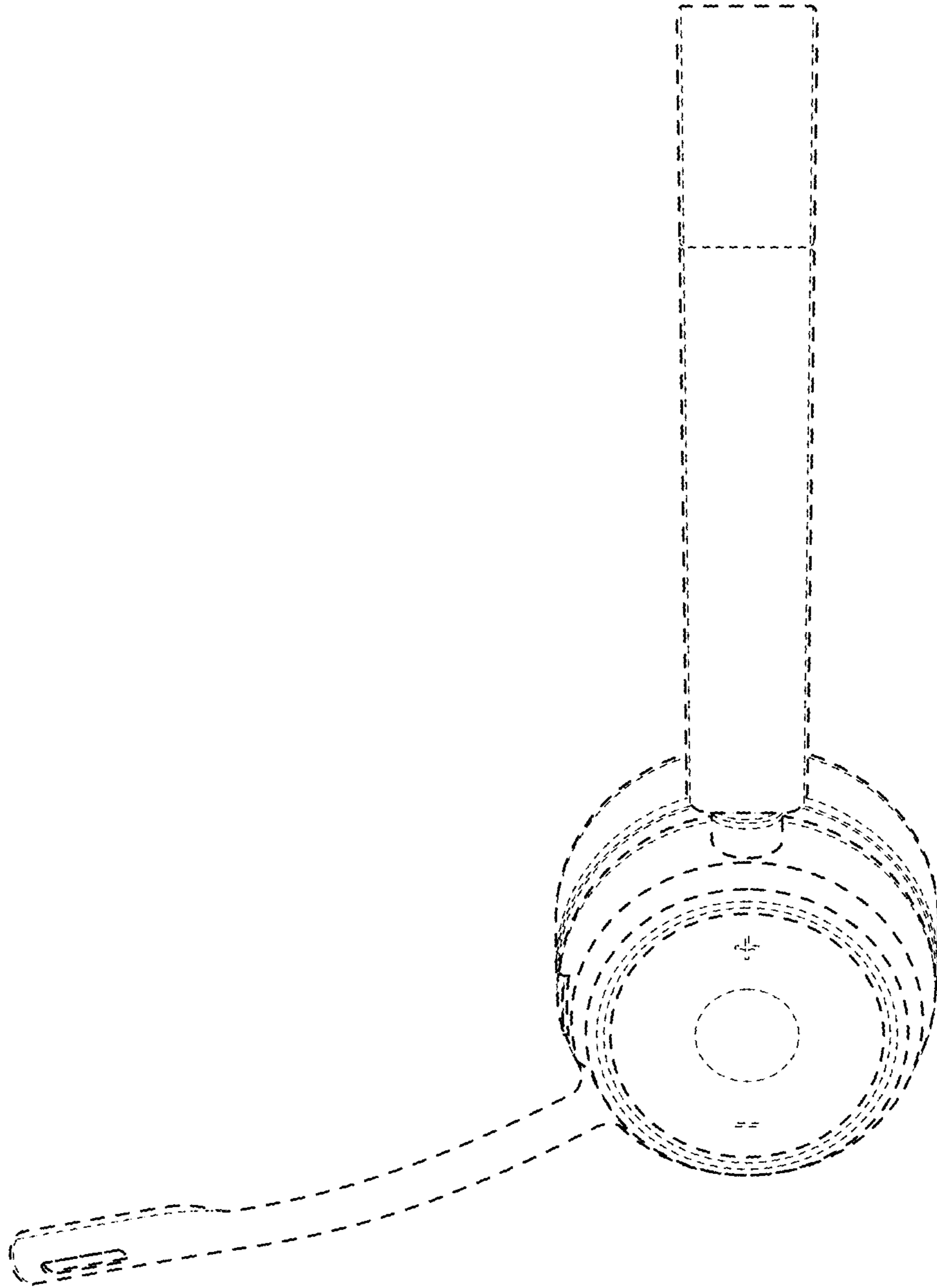


FIG. 4

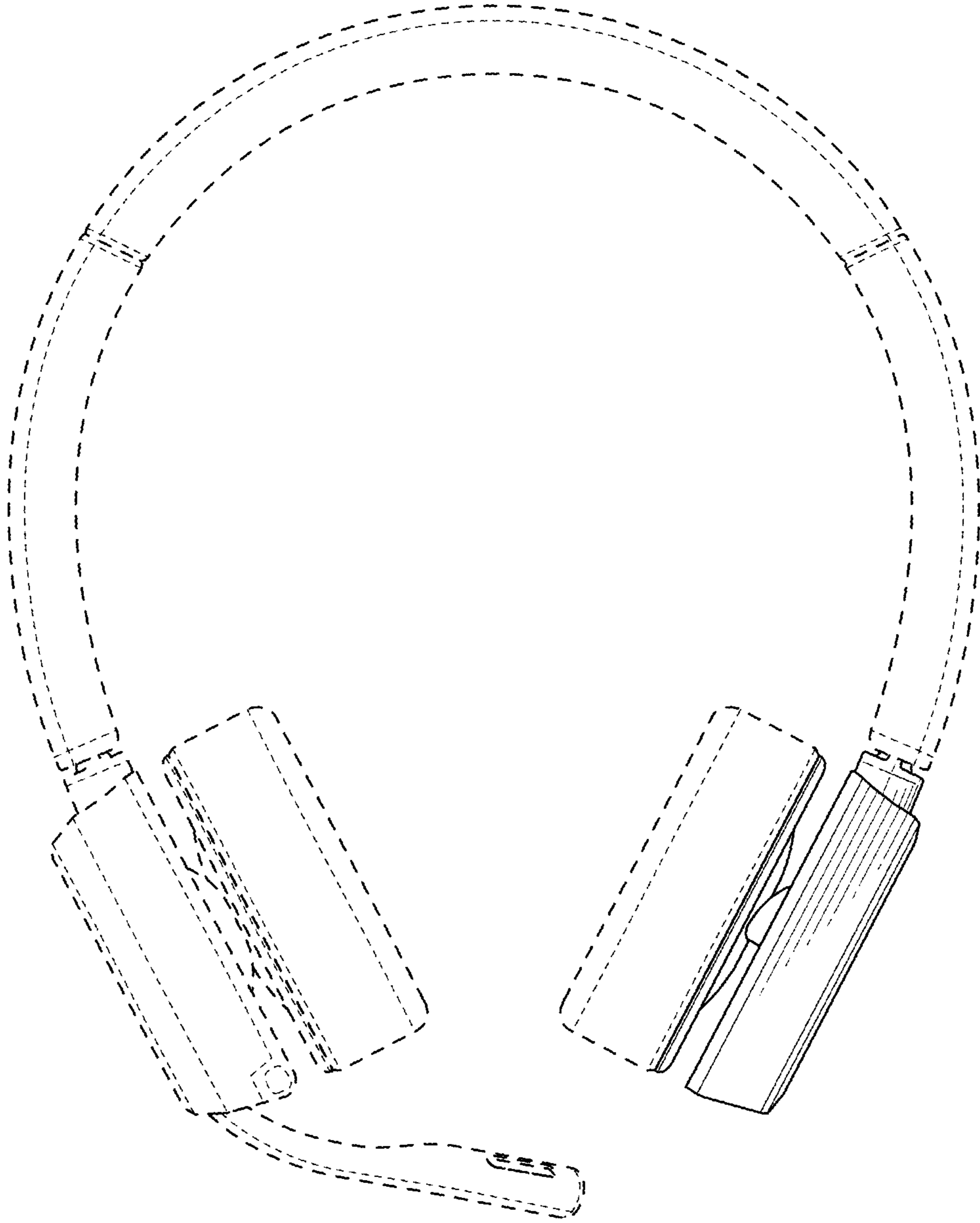


FIG. 5

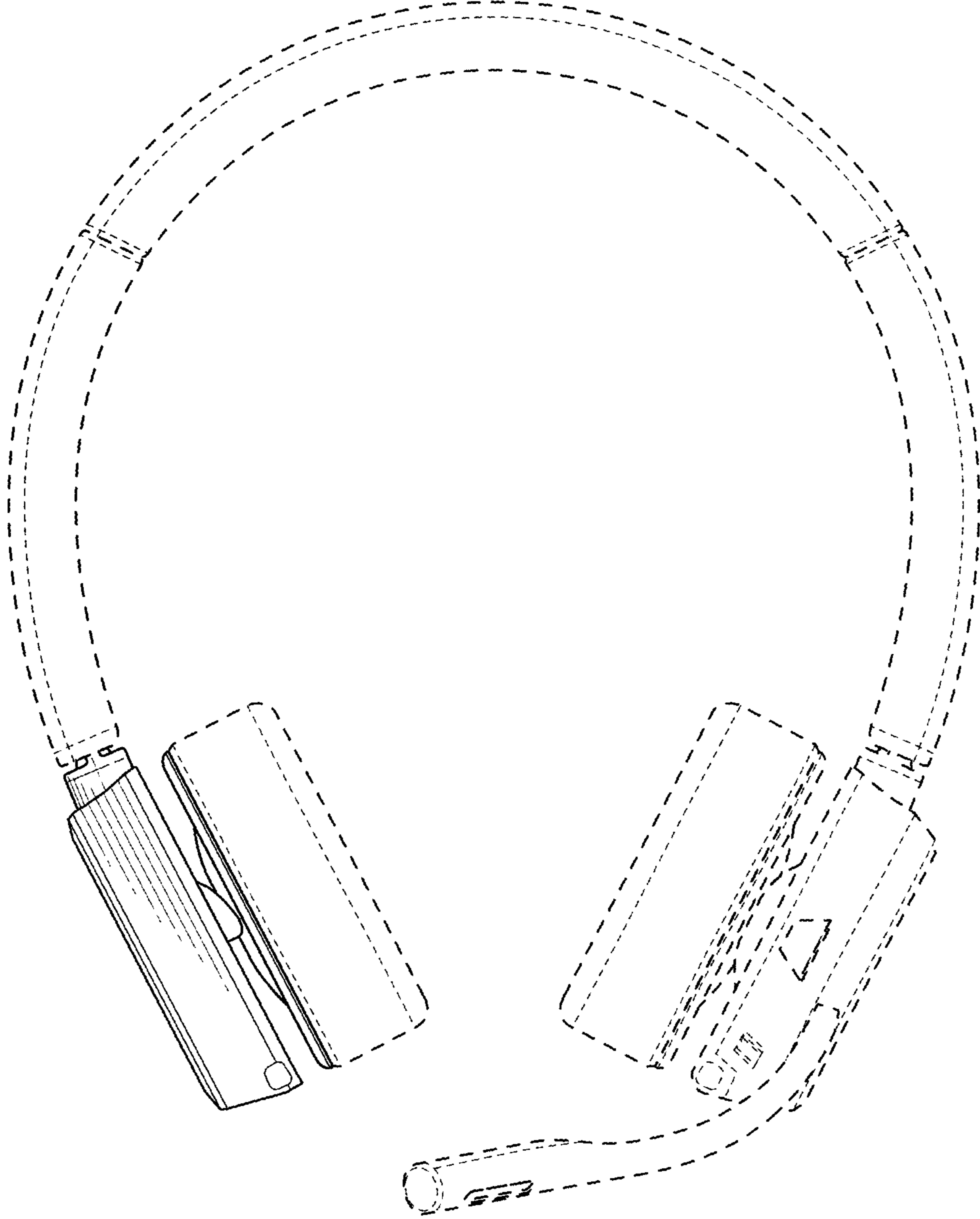


FIG. 6

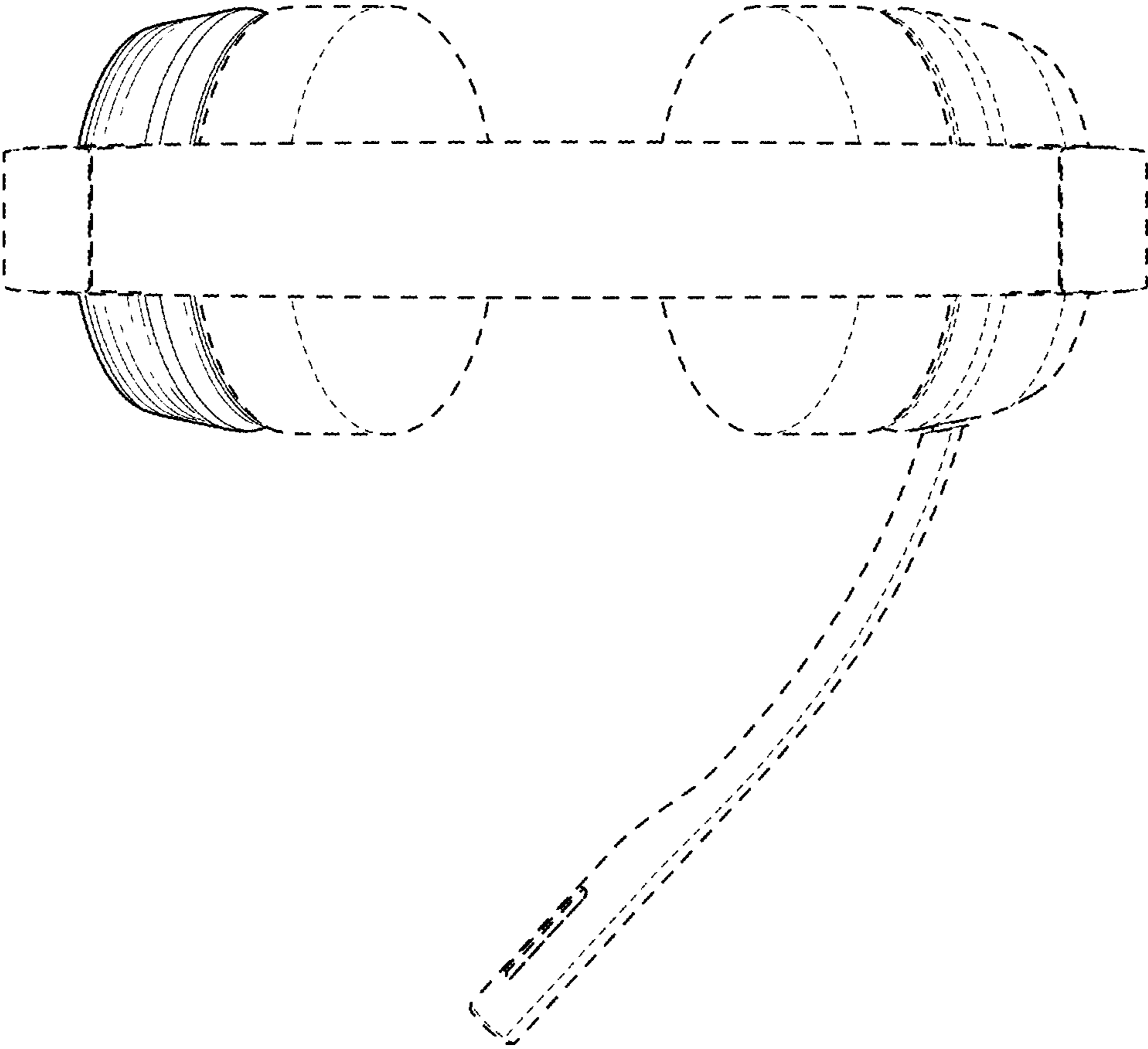


FIG. 7

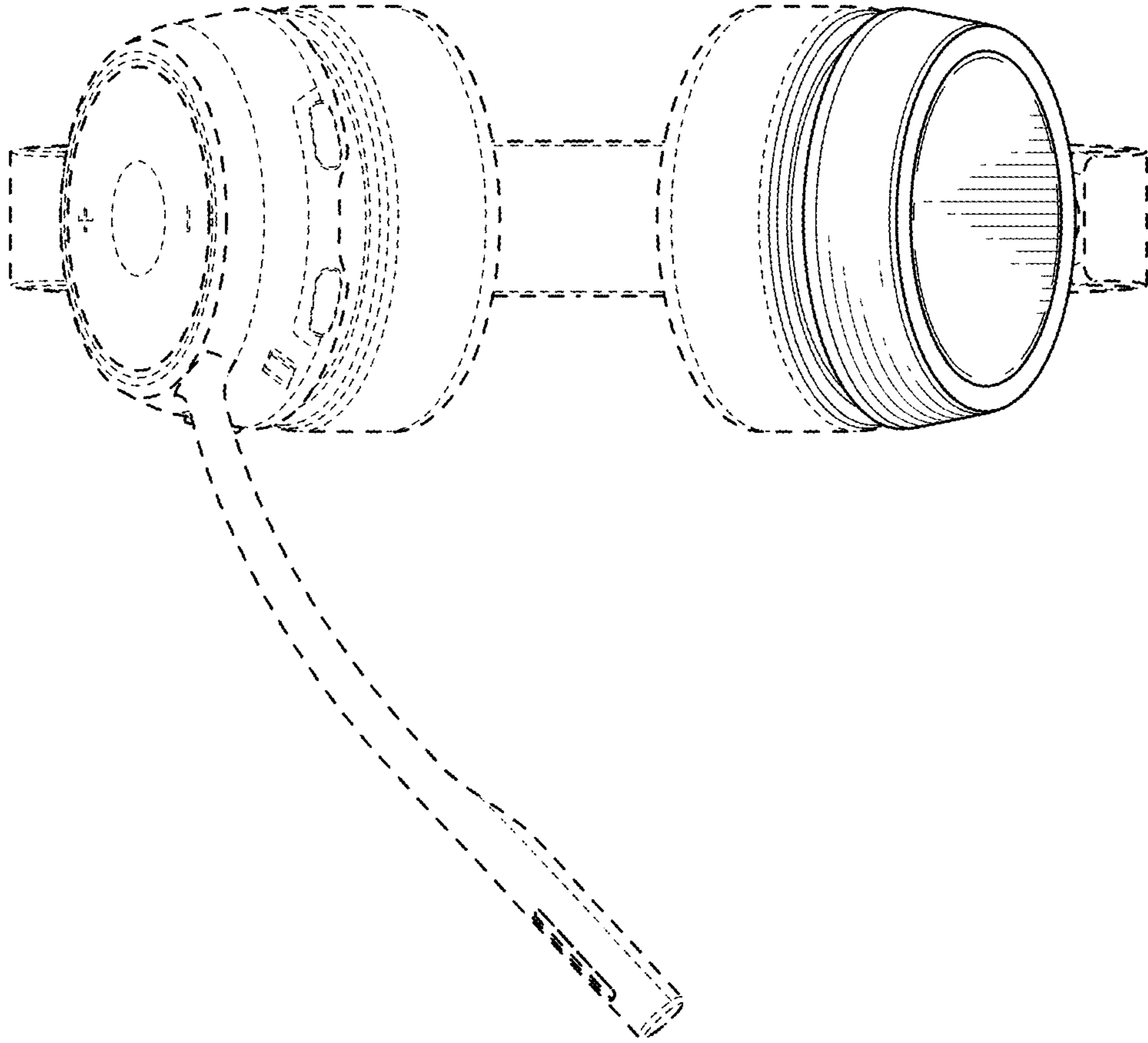


FIG. 8