



US00D940685S

(12) **United States Design Patent** (10) **Patent No.:** **US D940,685 S**
He (45) **Date of Patent:** **** Jan. 11, 2022**

(54) **HEADPHONE**
(71) Applicant: **SHENZHEN QIANHAI PATUOXUN NETWORK AND TECHNOLOGY CO., LTD**, Shenzhen (CN)
(72) Inventor: **Yue He**, Shenzhen (CN)
(73) Assignee: **SHENZHEN QIANHAI PATUOXUN NETWORK AND TECHNOLOGY CO., LTD**, Shenzhen (CN)
(**) Term: **15 Years**

6,560,346 B2 * 5/2003 Ohta H04R 1/083
381/382
6,622,029 B1 * 9/2003 Skulley H04M 1/05
379/430
D482,019 S * 11/2003 Petersen D14/206
D488,146 S * 4/2004 Minto D14/206
D494,154 S * 8/2004 Polito D14/206
D494,957 S * 8/2004 Rath D14/206
D498,470 S * 11/2004 Skulley D14/206
D504,419 S * 4/2005 Bey D14/223
D514,086 S * 1/2006 Skulley D14/206
D517,528 S * 3/2006 Skulley D14/206
D518,479 S * 4/2006 Skulley D14/225
D530,307 S * 10/2006 Rath D14/206
D531,165 S * 10/2006 Rath D14/206
D535,285 S * 1/2007 Skulley D14/205

(Continued)

(21) Appl. No.: **29/758,226**

(22) Filed: **Nov. 13, 2020**

(51) **LOC (13) Cl.** **14-01**

(52) **U.S. Cl.**
USPC **D14/206; D14/226**

(58) **Field of Classification Search**
USPC D14/206, 205, 188, 192, 226; D29/112;
2/209; 381/380, 381, 374; 455/90.3,
455/575.1, 569.1
CPC H04R 25/00; H04R 25/02; H04R 1/1066;
H04R 1/1016; H04R 5/033; H04R
5/0335; H04R 1/10; H04R 19/04; H04R
1/08; H04R 1/105; H04R 1/1083; H04R
11/04

See application file for complete search history.

(56) **References Cited**

U.S. PATENT DOCUMENTS

5,369,857 A * 12/1994 Sacherman H04R 5/0335
29/594
5,406,037 A * 4/1995 Nageno H04R 5/0335
181/129
D394,437 S * 5/1998 Landreth D14/206
6,154,539 A * 11/2000 Pitel H04M 1/05
379/430
D436,348 S * 1/2001 McGugan D14/142

FOREIGN PATENT DOCUMENTS

EM 003787902-0001 * 3/2017
GB 9005762077-0001 * 10/2018

Primary Examiner — Paula Allen Greene

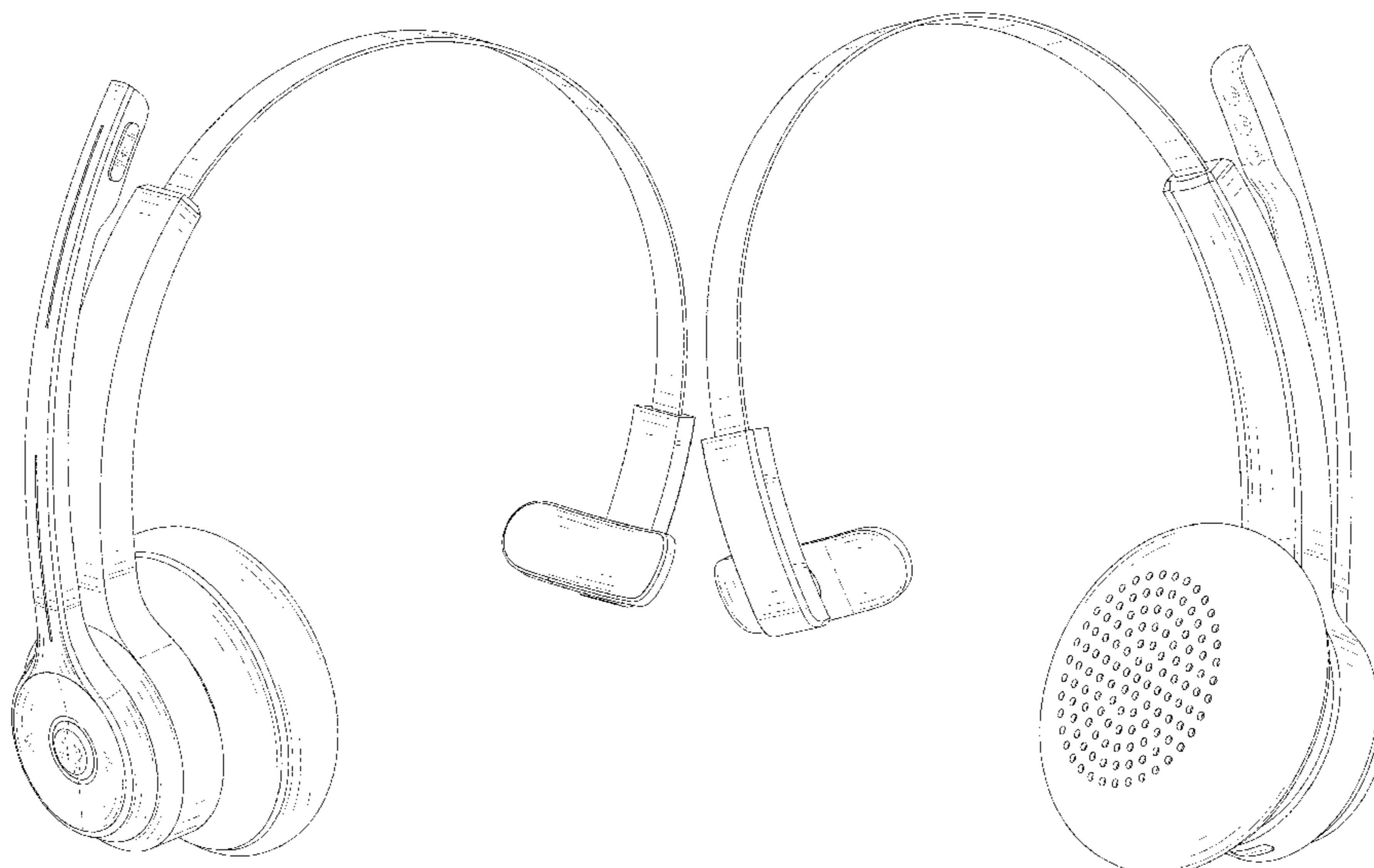
(57) **CLAIM**

The ornamental design for a headphone, as shown and described.

DESCRIPTION

FIG. 1 is a perspective view of a headphone showing my new design;
FIG. 2 is another perspective view thereof;
FIG. 3 is a front elevational view thereof;
FIG. 4 is a rear elevational view thereof;
FIG. 5 is a left side elevational view thereof;
FIG. 6 is a right side elevational view thereof;
FIG. 7 is a top plan view thereof; and,
FIG. 8 is a bottom plan view thereof.
The broken lines adjacent the shaded areas represent the bounds of the claimed design while all other broken lines are directed to environment. The broken lines form no part of the claimed design.

1 Claim, 8 Drawing Sheets



(56)

References Cited

U.S. PATENT DOCUMENTS

D538,785 S *	3/2007	Skulley	D14/206	D866,510 S *	11/2019	Lindof	D14/206
7,245,737 B2 *	7/2007	Amae	H04R 1/1066 381/374	D866,511 S *	11/2019	Lindof	D14/206
D587,684 S *	3/2009	Ham	D14/205	D866,513 S *	11/2019	Lindof	D14/206
D601,543 S *	10/2009	Bentley	D14/206	D866,514 S *	11/2019	Lindof	D14/206
D602,001 S *	10/2009	Bentley	D14/206	D867,330 S *	11/2019	Lindof	D14/206
D628,189 S *	11/2010	Rath	D14/206	D867,331 S *	11/2019	Lindof	D14/206
D638,000 S *	5/2011	Hoggarth	D14/206	D870,069 S *	12/2019	Hu	D14/206
D640,232 S *	6/2011	Brandis	D14/206	D881,840 S *	4/2020	Chen	D14/205
D641,337 S *	7/2011	Brandis	D14/206	D891,398 S *	7/2020	Chen	D14/206
D645,023 S *	9/2011	Brandis	D14/206	D898,701 S *	10/2020	Zhong	D14/206
D673,524 S *	1/2013	Brennwald	D14/206	2011/0135134 A1 *	6/2011	Essabar	H04R 1/105 381/374
D684,145 S *	6/2013	Rath	D14/224	2011/0206216 A1 *	8/2011	Brunner	H04R 1/1066 381/74
D843,348 S *	3/2019	Burgess	D14/206	2011/0306393 A1 *	12/2011	Goldman	H04M 1/6066 455/575.2
D851,628 S *	6/2019	Wernblad	D14/206	2012/0328119 A1 *	12/2012	Heise	H04R 1/1066 381/74
D856,303 S *	8/2019	Ando	D14/205	2015/0237433 A1 *	8/2015	Tran	H04R 1/10 381/375
D863,254 S *	10/2019	Hu	D14/206				
D864,899 S *	10/2019	He	D14/205				
D866,508 S *	11/2019	Lindof	D14/206				

* cited by examiner



FIG. 1



FIG. 2

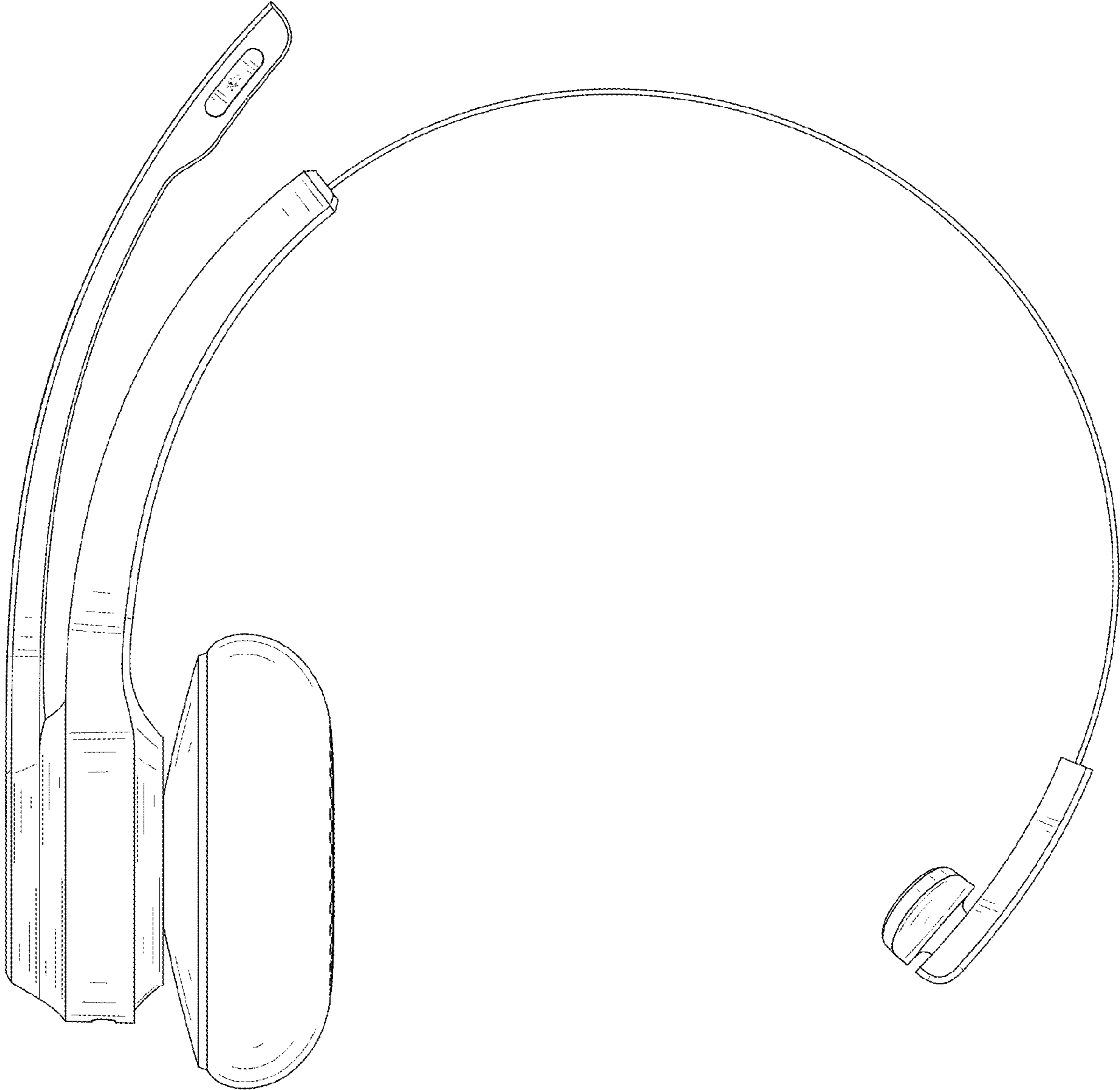


FIG. 3

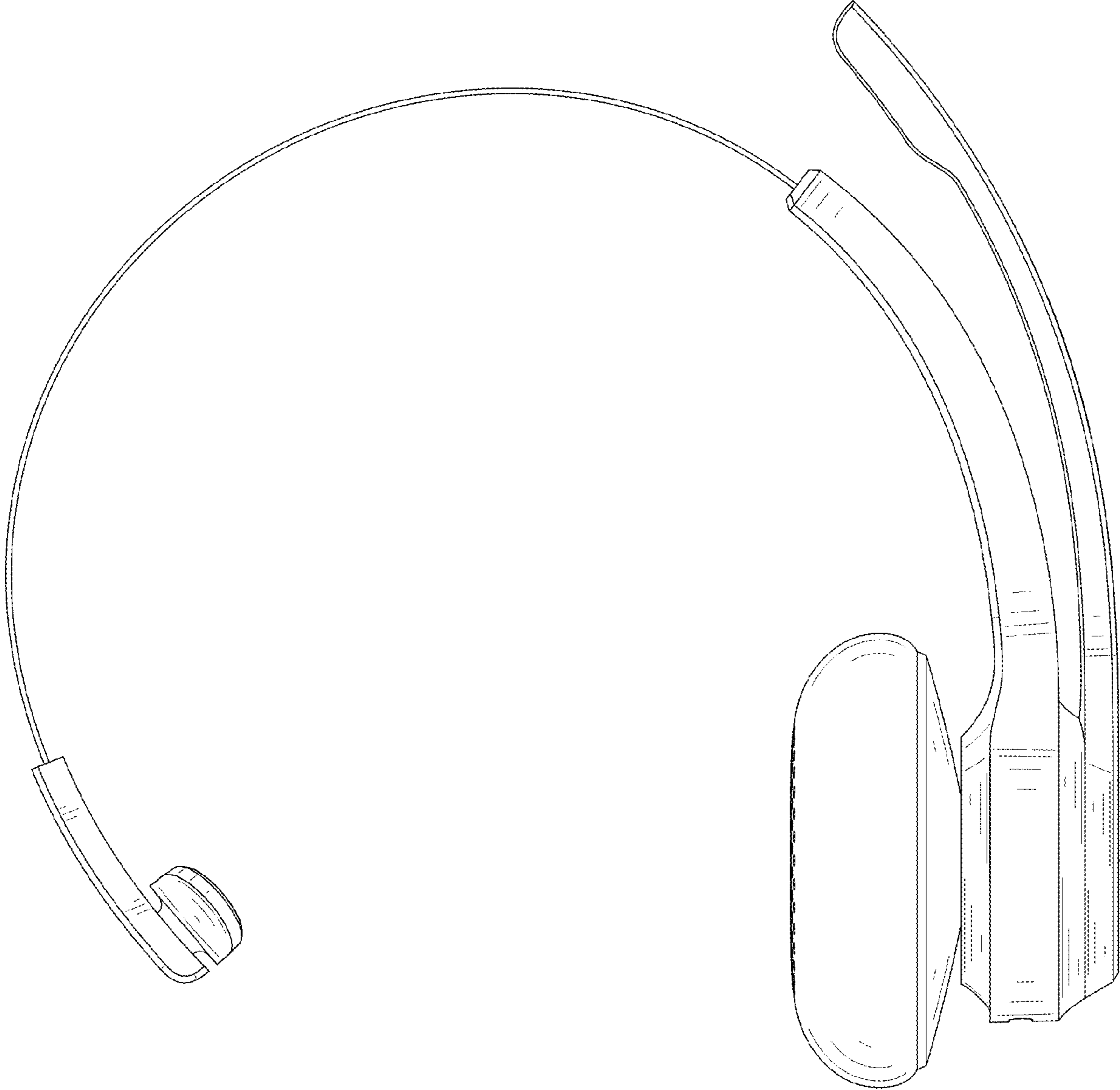


FIG. 4

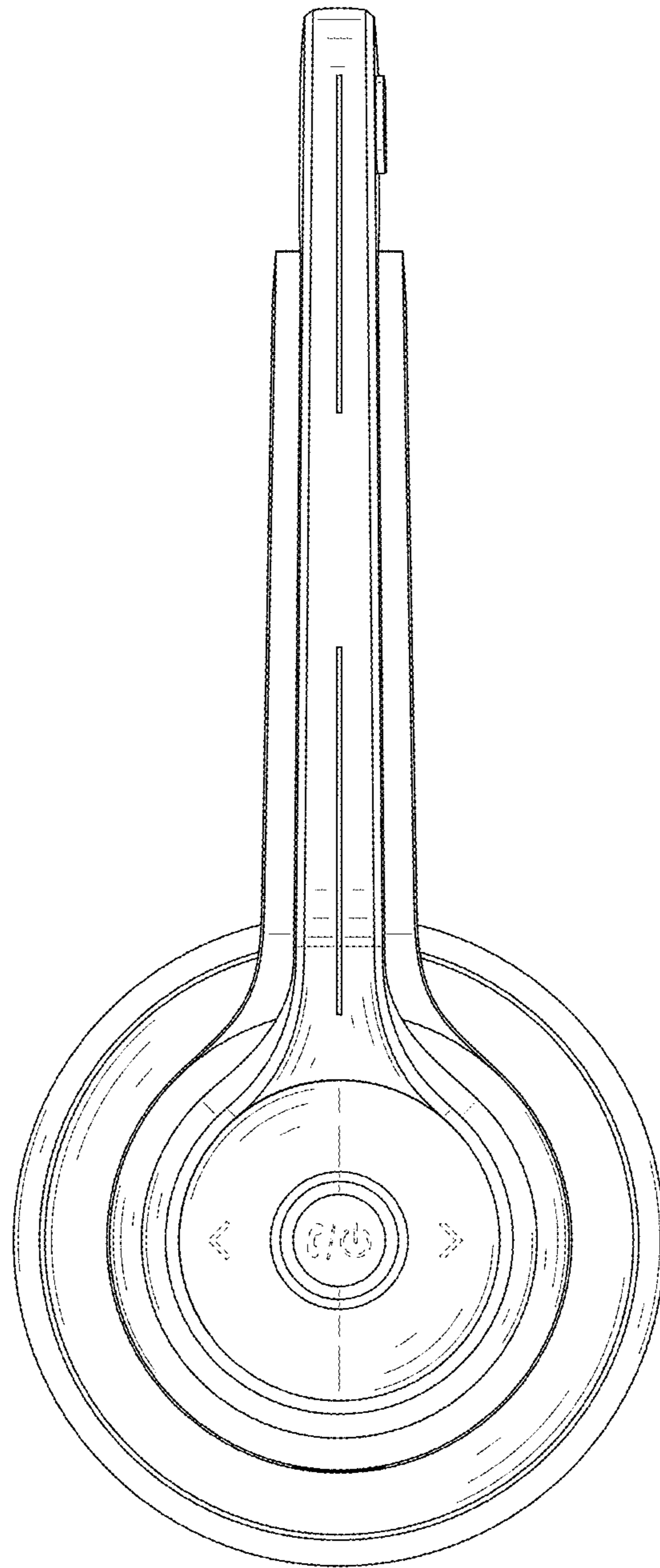


FIG. 5

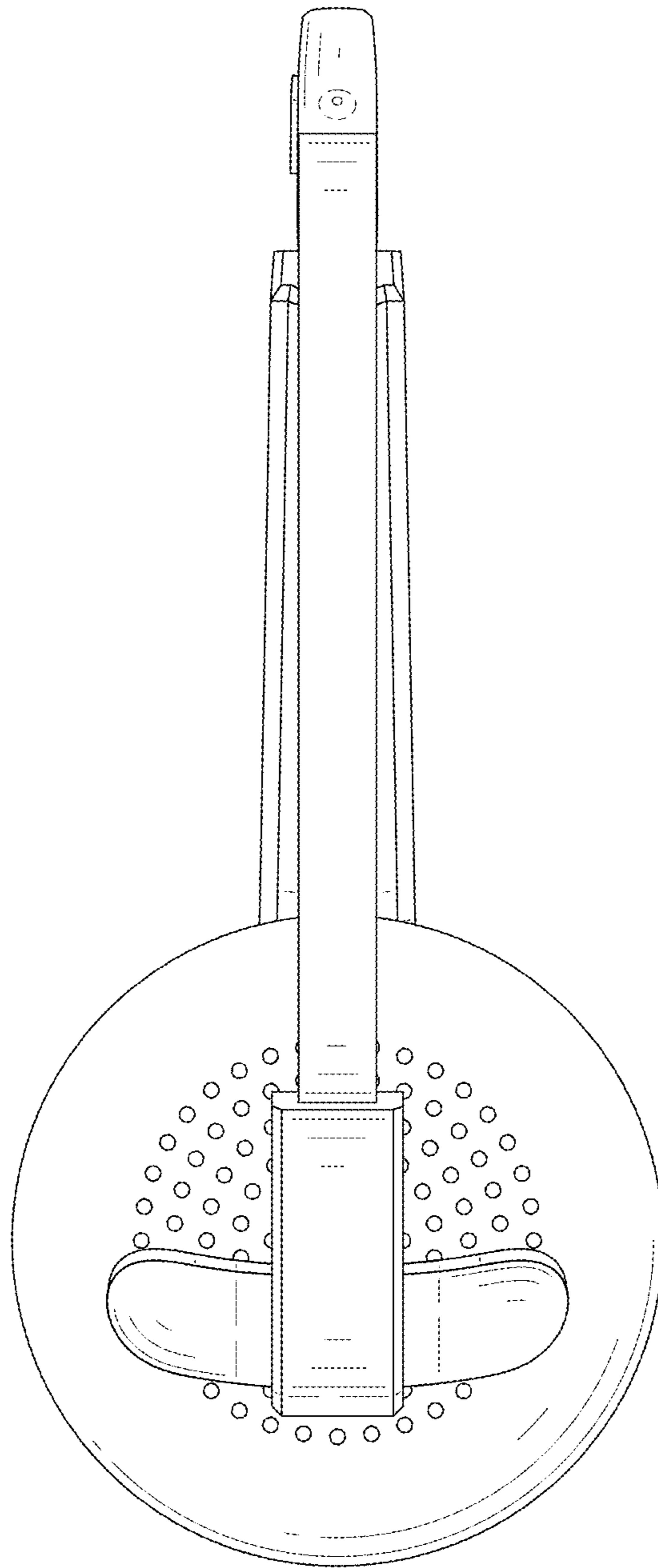


FIG. 6

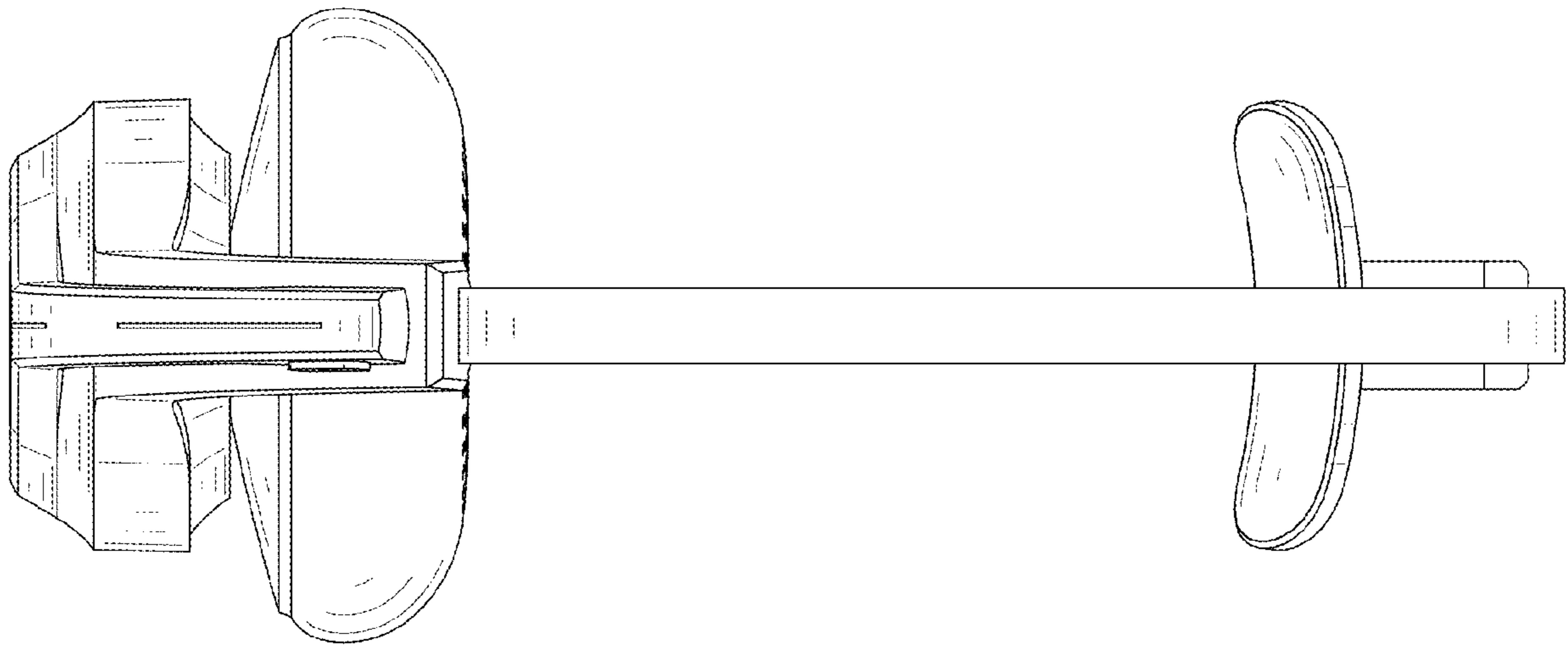


FIG. 7

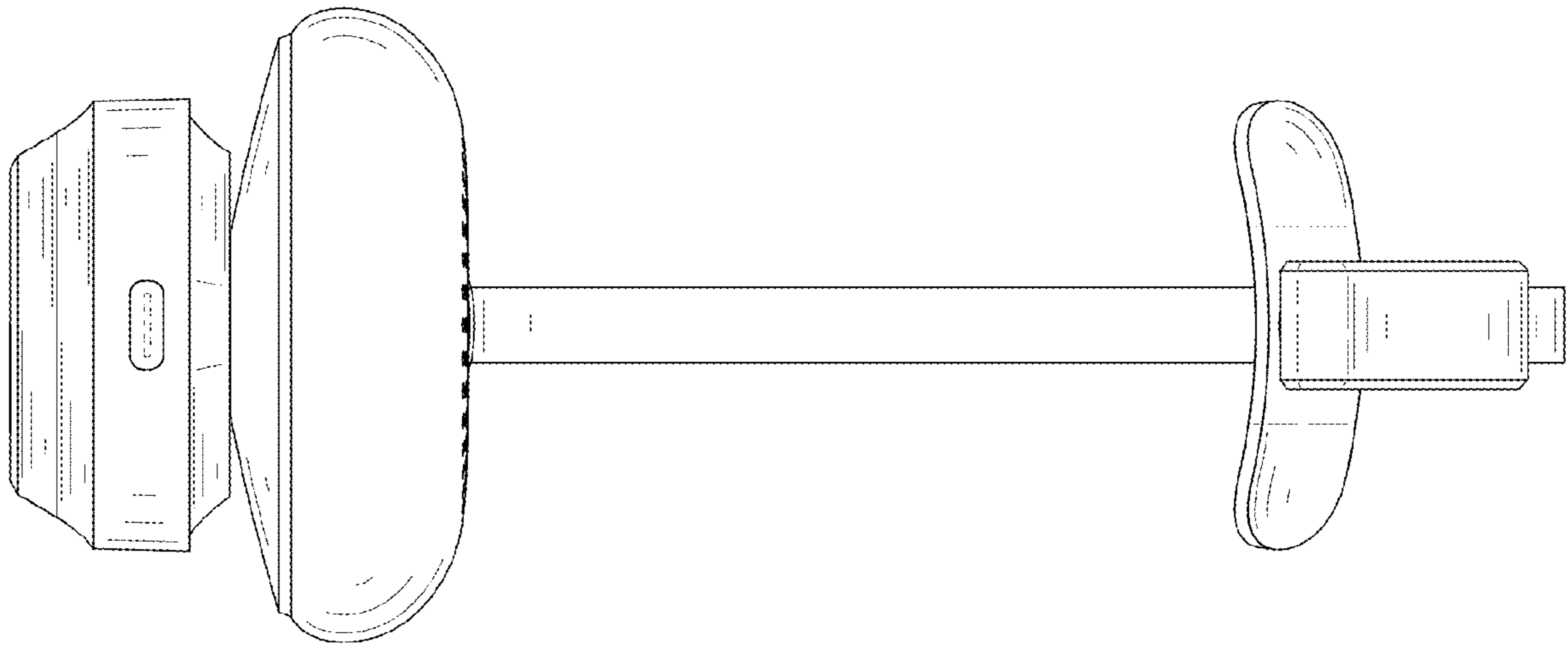


FIG. 8