



US00D940683S

(12) **United States Design Patent** (10) **Patent No.:** **US D940,683 S**
Larson et al. (45) **Date of Patent:** **** Jan. 11, 2022**

(54) **SHOWER SPEAKER**

(71) Applicant: **Ampere LLC**, Gloucester, MA (US)

(72) Inventors: **Chase Larson**, Denver, CO (US); **Reid Covington**, Brooklyn, NY (US); **Grant Shi**, Shanghai (CN); **George Du**, Shenzhen (CN); **Jared Leidich**, Denver, CO (US)

(73) Assignee: **AMPERE LLC**, Gloucester, MA (US)

(**) Term: **15 Years**

(21) Appl. No.: **29/764,872**

(22) Filed: **Jan. 4, 2021**

(51) **LOC (13) Cl.** **14-01**

(52) **U.S. Cl.**
USPC **D14/204**

(58) **Field of Classification Search**
USPC D14/170–172, 188, 203.1, 203.3, 204, D14/348
CPC . H04R 1/02; H04R 1/023; H04R 5/02; H04R 7/00; H04R 7/02; H04R 9/06; H04R 2400/00
See application file for complete search history.

(56) **References Cited**

U.S. PATENT DOCUMENTS

5,140,254 A * 8/1992 Katzman A47K 3/281
290/54

D422,591 S * 4/2000 Thorley D14/204

D439,892 S * 4/2001 Tai D14/149

D444,781 S * 7/2001 McGurty D14/215

6,879,818 B2 4/2005 Wageneck

D597,532 S * 8/2009 Wang D14/211

7,948,831 B2 5/2011 Orcutt et al.

D678,468 S 3/2013 Hanna

D693,330 S * 11/2013 Lee D14/216

D726,158 S * 4/2015 Zhao D14/216

D730,872 S 6/2015 Wan

D732,006 S * 6/2015 Zhao D14/216

9,161,110 B1 10/2015 Patsis

D742,359 S * 11/2015 Zhao D14/216

9,266,136 B2 2/2016 Klicpera

9,438,977 B2 9/2016 Wang et al.

9,574,331 B2 2/2017 Wright

9,584,892 B2 2/2017 Berkman et al.

(Continued)

OTHER PUBLICATIONS

Ampere Hydropower Shower Speaker, announced Oct. 28, 2020, [online], site visited Aug. 17, 2021. Available from Internet, URL: <http://www.kickstarter.com> (Year: 2020).*

(Continued)

Primary Examiner — Janice Patyk
 (74) *Attorney, Agent, or Firm* — Holzer Patel Drennan

(57) **CLAIM**
 We claim the ornamental design for a shower speaker, as shown and described.

DESCRIPTION

FIG. 1 is a perspective view of a shower speaker, showing our new design.

FIG. 2 is another perspective view of the shower speaker, shown in environmental use.

FIG. 3 is a bottom view of the shower speaker.

FIG. 4 is a top view of the shower speaker.

FIG. 5 is a front view of the shower speaker.

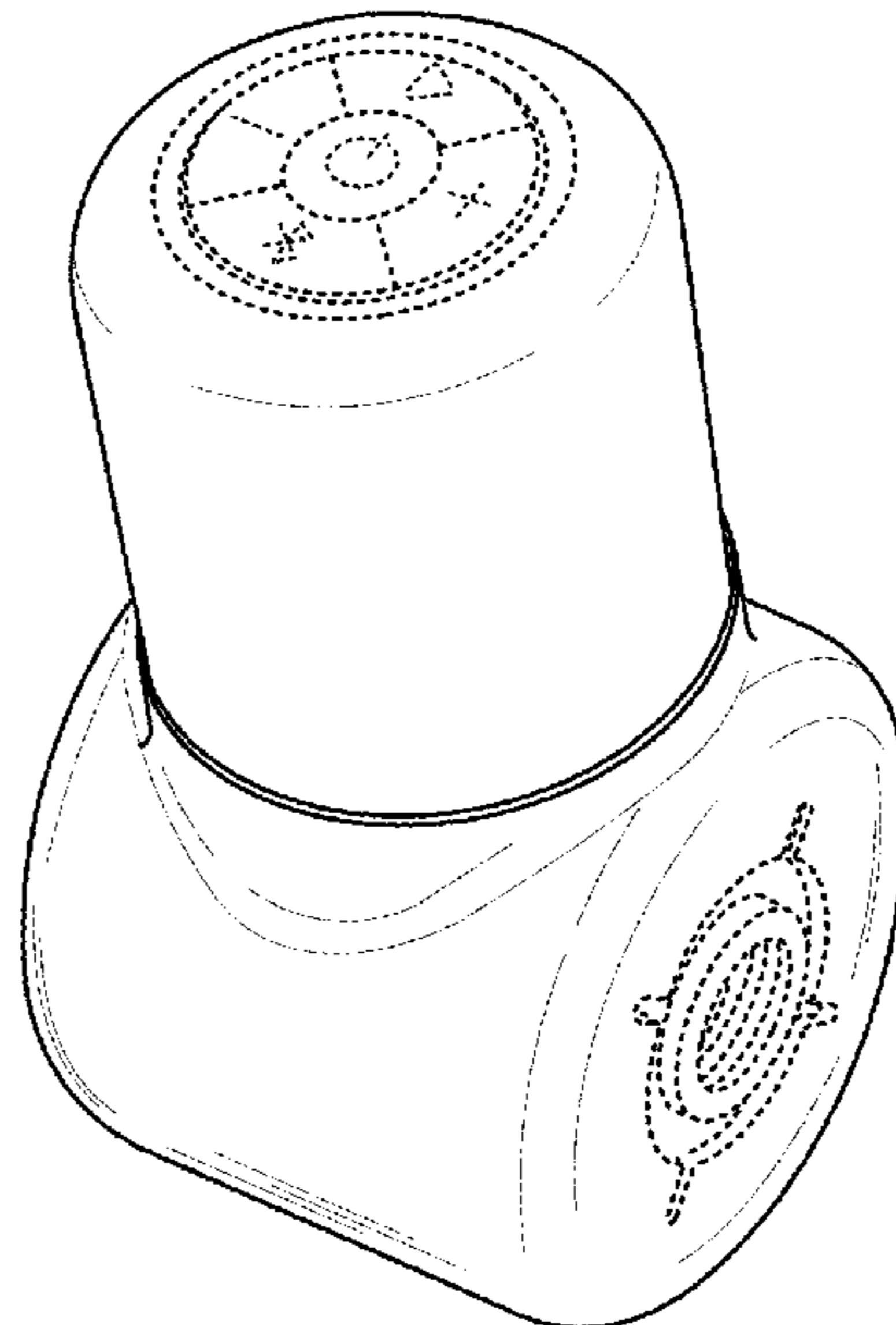
FIG. 6 is a back view of the shower speaker.

FIG. 7 is a left view of the shower speaker; and, FIG. 8 is a right view of the shower speaker.

The broken lines in the figures illustrate the portions of the shower speaker that form no part of the claimed design.

The broken line shower head and hose in FIG. 2 illustrate environmental subject matter that form no part of the claimed design.

1 Claim, 8 Drawing Sheets



(56)

References Cited

U.S. PATENT DOCUMENTS

D792,373	S	7/2017	Flowers et al.	
D838,886	S *	1/2019	Chen	D26/52
10,787,799	B2	9/2020	Hanna et al.	
2003/0233885	A1 *	12/2003	Bird	G01F 1/115 73/861
2011/0068192	A1 *	3/2011	Klicpera	G01F 15/075 239/74
2015/0034738	A1	2/2015	Xu et al.	
2015/0105024	A1	4/2015	Chen	
2015/0271583	A1	9/2015	Wan	
2015/0309543	A1	10/2015	Bleistern	
2016/0076231	A1	3/2016	Goel et al.	
2016/0236212	A1	8/2016	Patton et al.	

OTHER PUBLICATIONS

Thaker, Monika, "Water-Powered Bluetooth Shower Speaker Hooks Onto the Shower Head," Homecrux. Retrieved from the Internet <URL:https://www.homecrux.com/water-powered-bluetooth-shower-speaker/129214/>; Accessed Dec. 2, 2020.

No stated author; "Z002 Rain Shower With Bluetooth Speaker, Muse Series," Cotto. Published Oct. 1, 2018. Retrieved from the Internet <URL: https://www.cotto.com/en/product/shower-and-accessories/z002-rain-shower-with-bluetooth-speaker--044-muse-series-86743/>; Accessed Dec. 3, 2020.

Coxworth, Ben; "H2O Power radio runs on water from the shower," New Atlas. Published Mar. 15, 2011 Retrieved from the Internet <URL:https://newatlas.com/h2o-power-radio-runs-on-water-from-the-shower/18142/> Accessed Dec. 3, 2020.

L, Stephen; "Shower Heads With Speakers and Lights—Combining Music and Color Therapy in the Shower," Pimp my Bathroom. Published Nov. 19, 2017 Retrieved from the Internet <URL: https://www.pimpmybathroom.net/bath-and-shower/shower-heads-with-speakers-and-lights/> Accessed Dec. 3, 2020.

Vincent, James; "Kohler puts an Alexa-enabled smart speaker in a showerhead," The Verge. Published Jan. 3, 2020 Retrieved from the Internet <URL: https://www.theverge.com/circuitbreaker/2020/1/3/21047954/kohler-moxie-alexa-smart-speaker-shower-showerhead-ces-2020/>; Accessed Dec. 3, 2020.

No stated author; "ENRG Launches Wireless Bluetooth Shower Speakers", SME Channels. Published Sep. 14, 2014 Retrieved from the Internet <URL: https://www.smechannels.com/enrg-launches-wireless-bluetooth-shower-speakers/>; Accessed Dec. 3, 2020.

No stated author; "YOO.MEE Upgraded Version Rain Showerheads with Wireless Bluetooth Shower Speakers for Music or Phone Delivery—Portable Outdoor Waterproof Speakers Upgraded", Amazon. in Retrieved from the Internet <URL:https://www.amazon.in/YOO-MEE-Showerheads-Bluetooth-Portable-Waterproof/dp/B015K1HNEY/>; Accessed Dec. 3, 2020.

No stated author; "7.3 in. 1-Spray Bluetooth Wall Mounted Shower Head with Detachable Rechargeable Wireless Speaker in Polished Chrome by Atomi", Home Depot Retrieved from the Internet

<URL:https://www.homedepot.com/p/Atomi-7-3-in-1-Spray-Bluetooth-Wall-Mounted-Shower-Head-with-Detachable-Rechargeable-Wireless-Speaker-in-Polished-Chrome-AT1393/314732837/>; Accessed Dec. 3, 2020.

No stated author; "Morpilot Shower Head with Wireless Bluetooth Speaker, Fixed Bathroom Showerhead with High Pressure music Showerhead Jet, Removable Waterproof Shower Speaker—Built-in Mic to Play Music & Answer Calls", Amazon.in Retrieved from the Internet <URL:https://www.amazon.in/Morpilot-Bluetooth-Showerhead-Removable-Waterproof/dp/B07GSPR6WT/>; Accessed Dec. 3, 2020.

No stated author; "Spa Living White Bluetooth Speaker Rain Shower Head", Shower Maestro. Published Dec. 21, 2019 Retrieved from the Internet <URL:https://showermaestro.com/best-bluetooth-shower-heads/>; Accessed Dec. 3, 2020.

No stated author; "Bluetooth Shower Head, FATA FAMA Touch-sensitive Chrome Plated Top Spray Rain Shower Head Jet with Wireless Bluetooth Speaker Audio Box Built-in Mic to Play Music & Answer Calls", amazon.ca Retrieved from the Internet <URL:https://www.amazon.ca/Bluetooth-FATA-FAMA-Touch-sensitive-Wireless/dp/B072KDL25/>; Accessed Dec. 3, 2020.

No stated author; "iRainy SH-BS07 Showerhead with Waterproof Wireless Bluetooth Speaker for Music", Shower Maestro. Published Dec. 21, 2019 Retrieved from the Internet <URL:https://showermaestro.com/best-bluetooth-shower-heads/>; Accessed Jan. 4, 2021.

No stated author; "Bidet4me Msh-10 Music Showerhead Waterproof Speaker + Bluetooth", amazon.com. Retrieved from the Internet <URL:https://www.amazon.com/Bidet4me-Showerhead-Waterproof-Speaker-Bluetooth/dp/B00II6LF2K/ref=as_li_ss_tl?s=hi&ie=UTF8&qid=1518828338&sr=1-24&keywords=bluetooth+shower+head&linkCode=I11&tag=showermaestro-20&linkId=39b84d7628073aeb2609e2b2ba882926/> Accessed Dec. 3, 2020.

No stated author; "Aquatunes Wireless Shower Speaker", Grohe Retrieved from the Internet <URL:https://www.grohe.co.in/en_in/aquatunes-wireless-shower-speaker-26271LV0.html/> Accessed Dec. 3, 2020.

No stated author; "H2oVibe Handheld Waterproof Showerhead Bluetooth Speaker—Polished Chrome", Daily Steals. Published Apr. 17, 2018, Retrieved from the Internet <URL:https://www.dailysteals.com/products/h2ovibe-handheld-waterproof-showerhead-bluetooth-speaker-polished-chrome/>; Accessed Dec. 3, 2020.

Rumeo, Anthony, "The Shower Speaker", Indiegogo. Published Sep. 12, 2015, Retrieved from the Internet <URL: https://www.indiegogo.com/projects/the-shower-speaker#/>; Accessed Dec. 3, 2020.

No stated author; "Wall Mount Showerhead with Bluetooth Speaker, Chrome Finish", Homewerks. Retrieved from the Internet <URL:https://www.homewerks.com/product/wall-mount-showerhead-bluetooth-speaker-chrome-finish/>; Accessed Dec. 3, 2020.

No stated author; "Bathroom Shower Bluetooth Handheld Shower with Waterproof Portable Shower Bluetooth Speaker Subwoofer Chrome Manual Water Stop Shower Head", amazon.in Retrieved from the Internet <URL:https://www.amazon.in/Bathroom-Bluetooth-Handheld-Waterproof-Subwoofer/dp/B07TB5TBTM/>; Accessed Dec. 3, 2020.

* cited by examiner

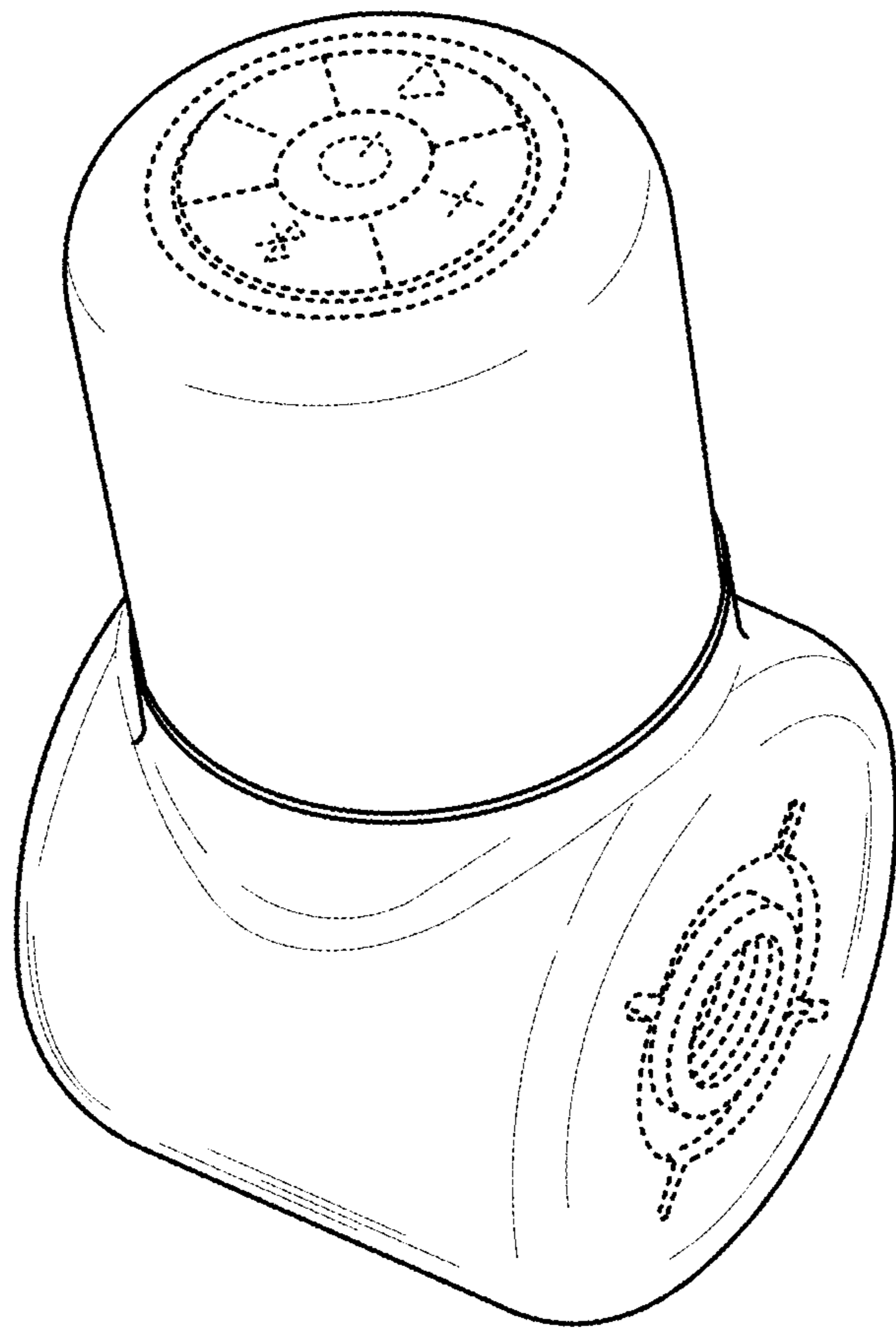


FIG. 1

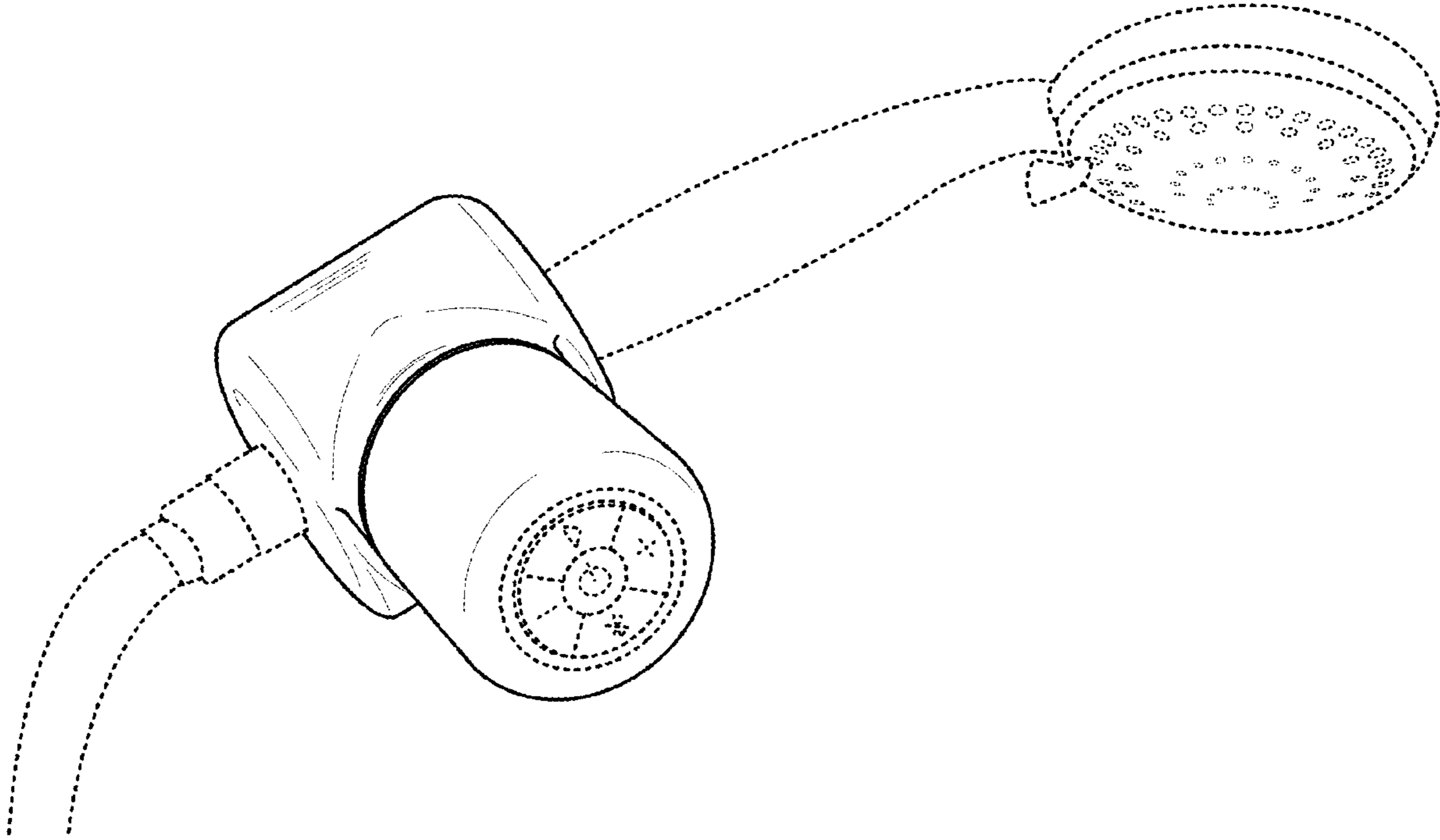


FIG. 2

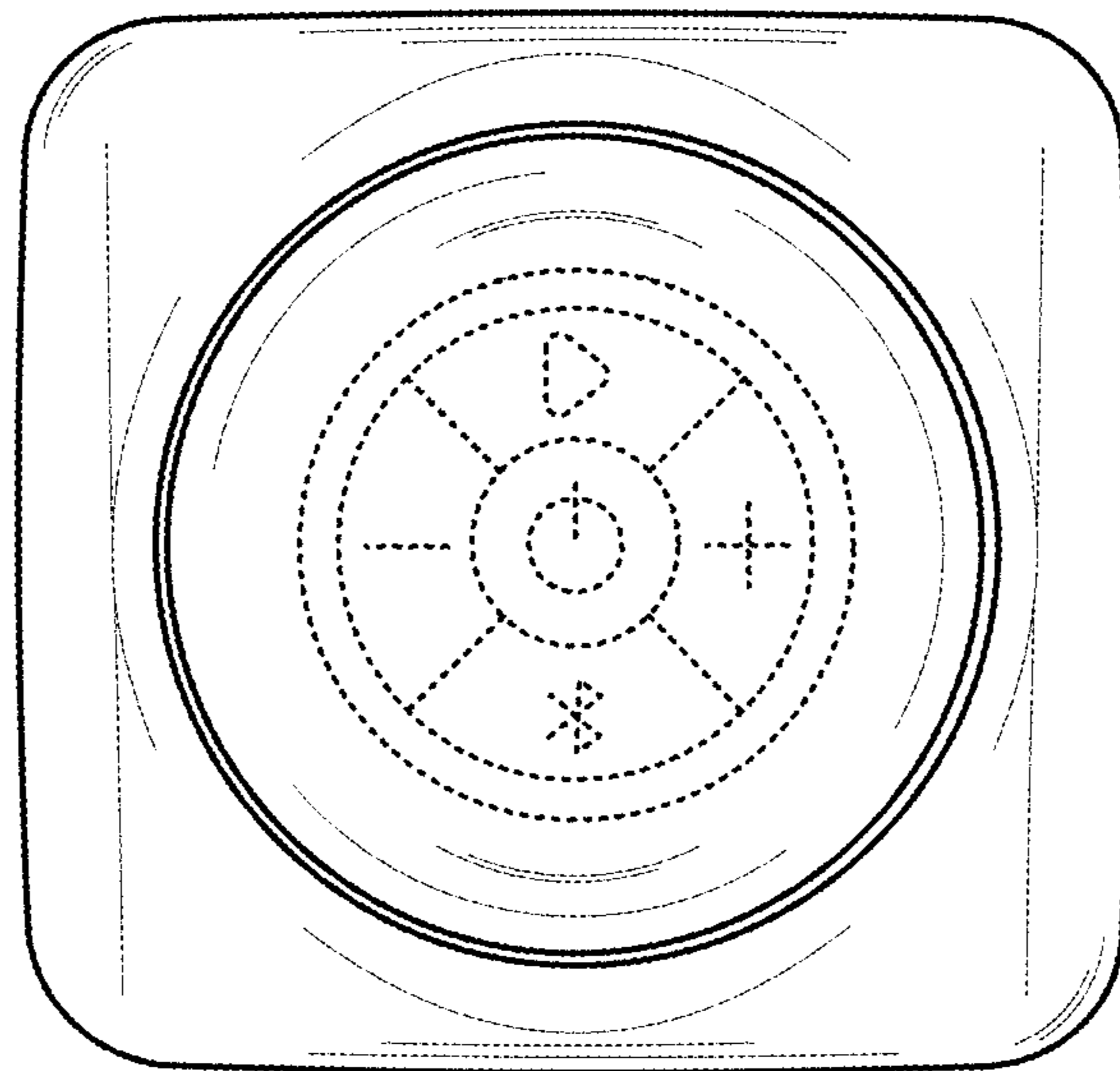


FIG. 3

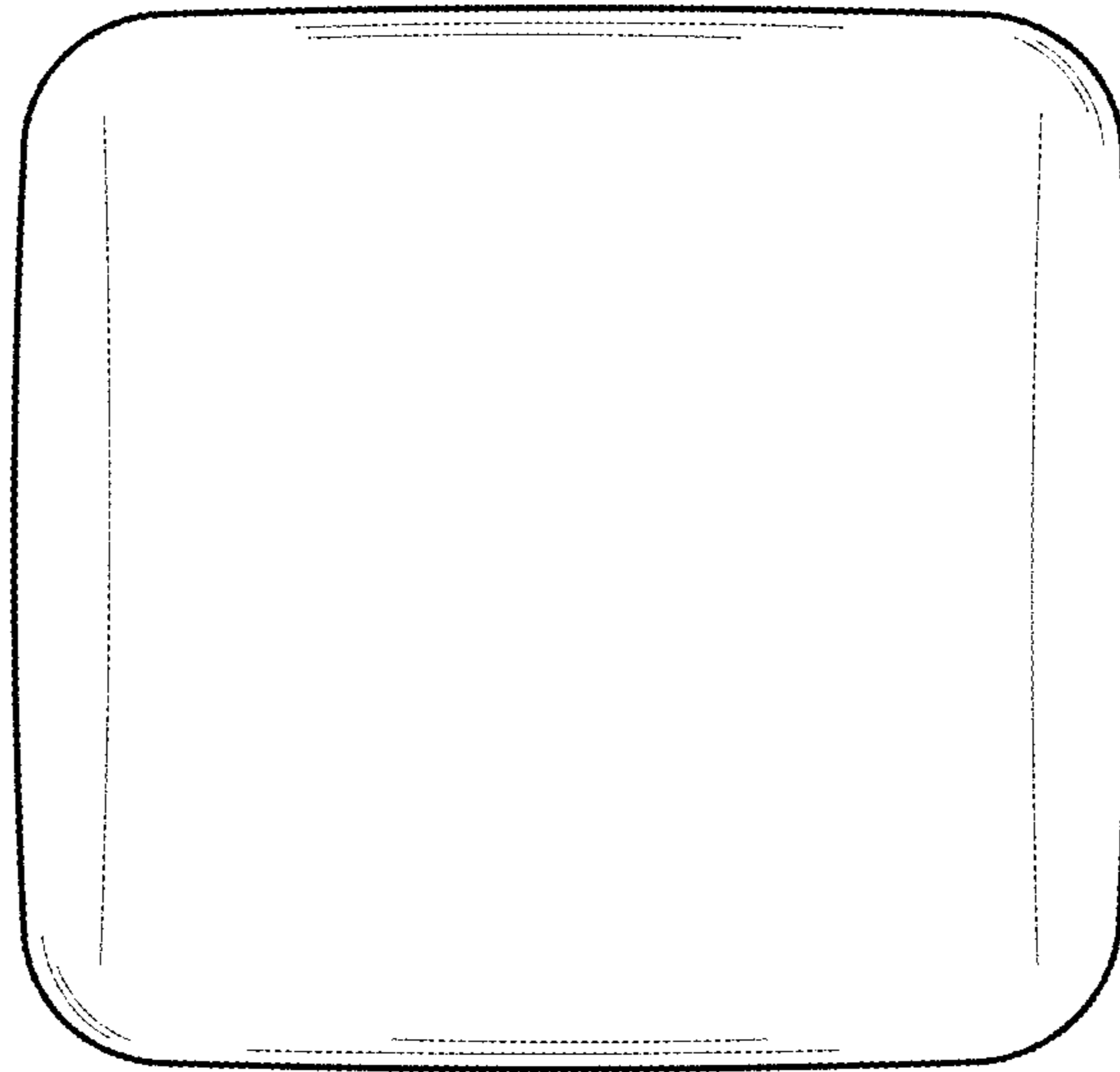


FIG. 4

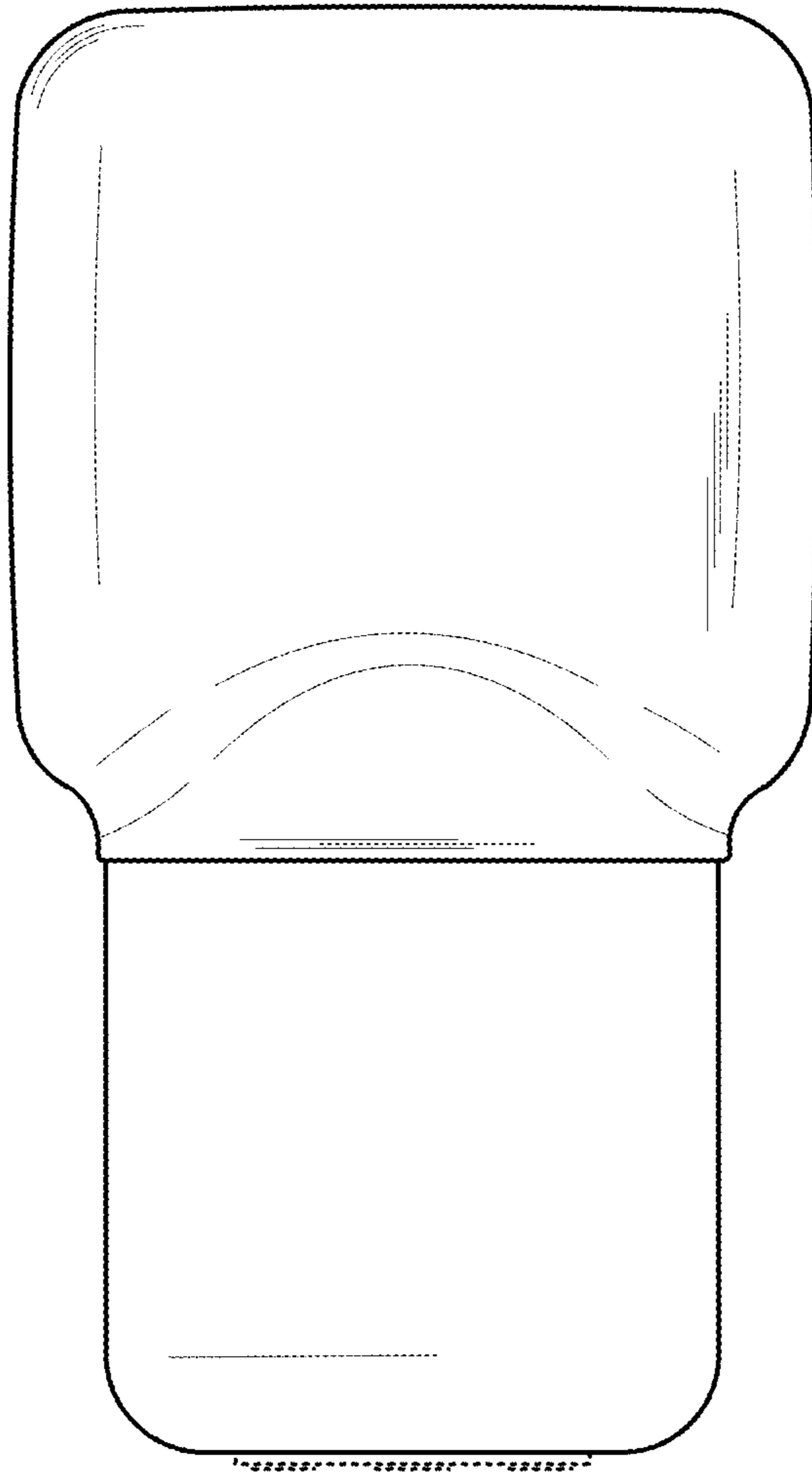


FIG. 5

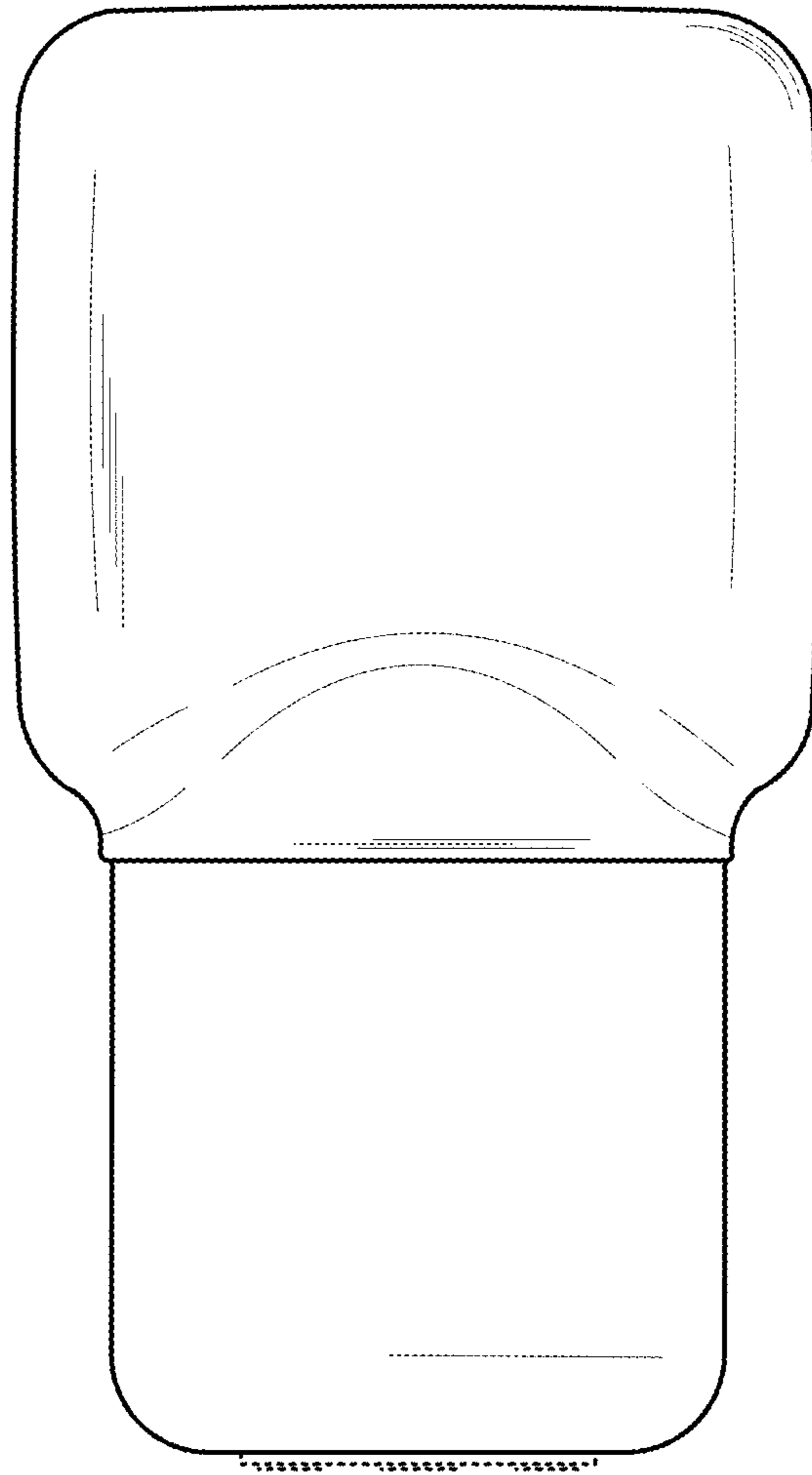


FIG. 6

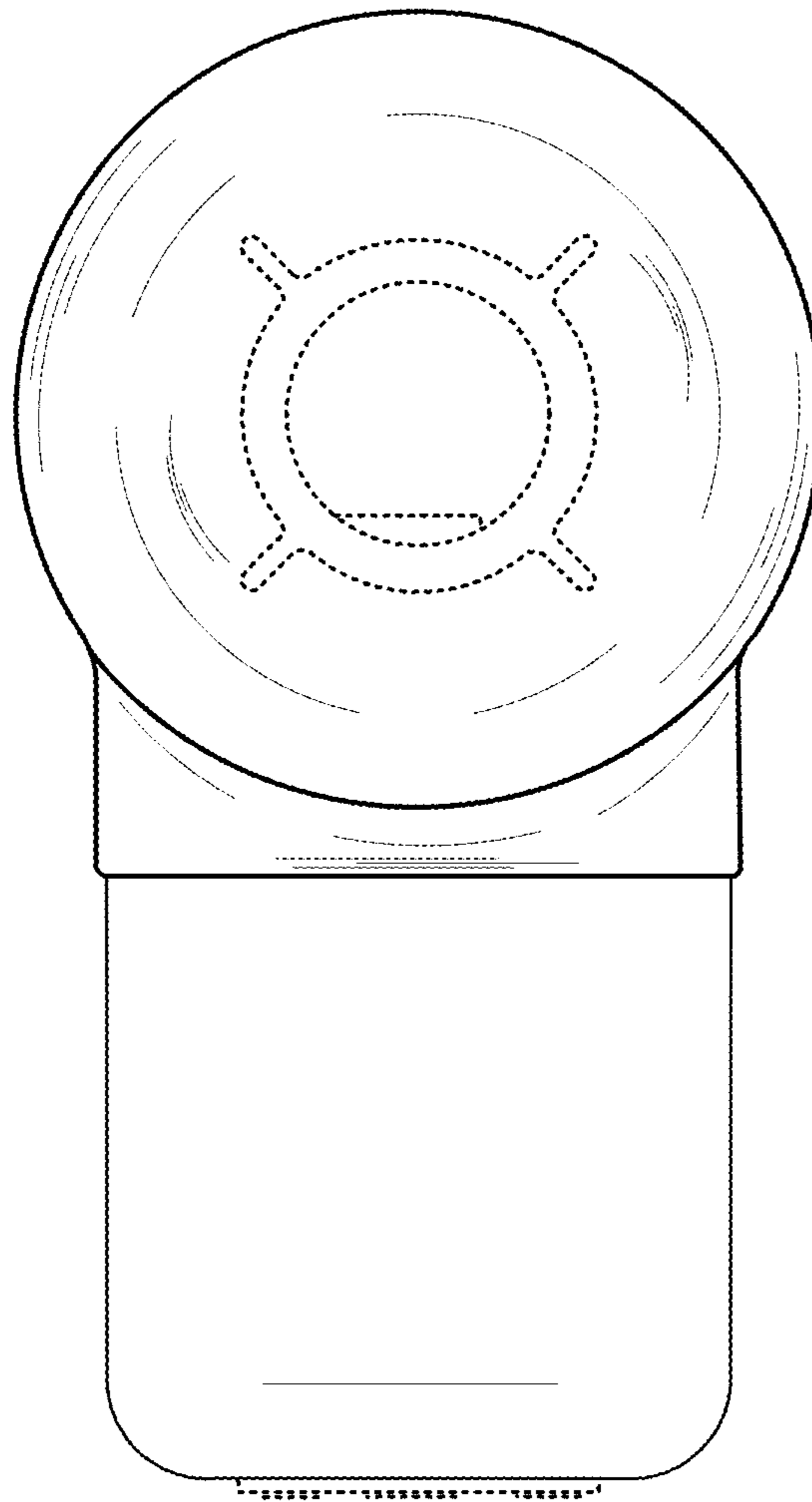


FIG. 7

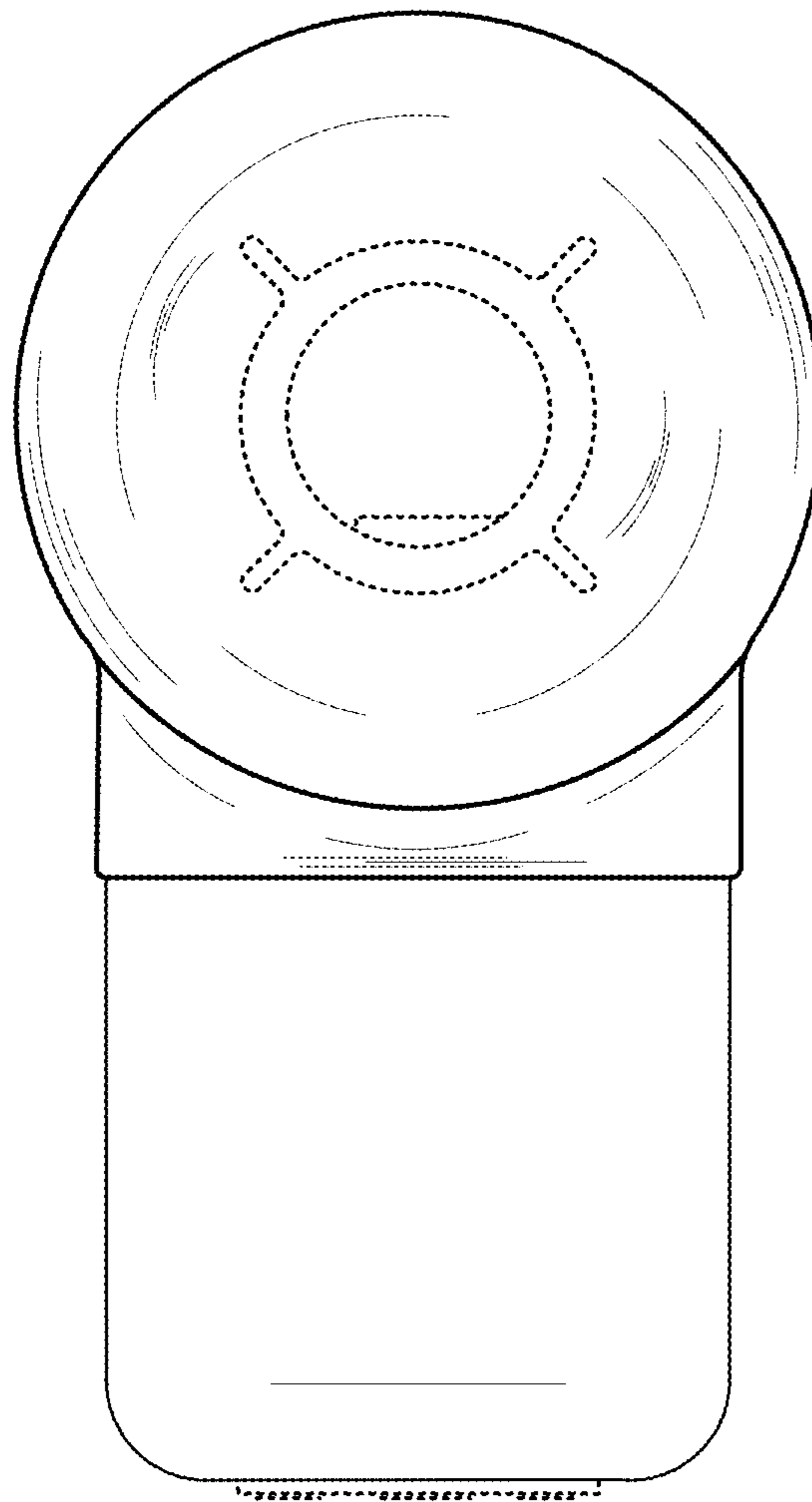


FIG. 8