

US00D940682S

(12) **United States Design Patent** (10) **Patent No.:** **US D940,682 S**  
**Wu** (45) **Date of Patent:** **\*\* Jan. 11, 2022**

(54) **RECORD PLAYER**

(71) Applicant: **Xingquan Wu**, Maoming (CN)

(72) Inventor: **Xingquan Wu**, Maoming (CN)

(\*\*) Term: **15 Years**

(21) Appl. No.: **29/758,685**

(22) Filed: **Nov. 17, 2020**

(51) **LOC (13) Cl.** ..... **14-01**

(52) **U.S. Cl.**  
USPC ..... **D14/202**

(58) **Field of Classification Search**  
USPC ..... D14/199–203, 261, 262  
CPC ..... G11B 23/00; G11B 19/16; G11B 19/2009;  
G11B 17/16  
See application file for complete search history.

(56) **References Cited**

**U.S. PATENT DOCUMENTS**

- 3,268,229 A \* 8/1966 Funk ..... G11B 33/02  
D14/201
- 3,549,224 A \* 12/1970 Verni ..... A47B 81/06  
312/8.14
- D226,452 S \* 3/1973 Yazawa ..... D14/202
- D238,394 S \* 1/1976 Akazawa ..... D14/202
- D241,574 S \* 9/1976 Mukai et al. .... D14/202
- D247,488 S \* 3/1978 Ohtomo ..... D14/202
- 4,085,940 A \* 4/1978 Hoshimi ..... G11B 3/095  
369/225
- 4,098,512 A \* 7/1978 Takizawa ..... G11B 3/095  
369/216
- D252,330 S 7/1979 Leech
- D253,290 S 10/1979 Christie
- 4,365,326 A \* 12/1982 Ohsawa ..... G11B 19/22  
369/268
- D810,716 S \* 2/2018 Yang ..... D14/203
- D824,357 S \* 7/2018 Ding ..... D14/202
- D887,386 S \* 6/2020 Shi ..... D14/202
- D894,864 S \* 9/2020 Peng ..... D14/201

- D898,698 S \* 10/2020 Peng ..... D14/202
- D902,172 S \* 11/2020 Lieblein ..... D14/202
- D904,334 S 12/2020 Cao
- D908,659 S \* 1/2021 Yang ..... D14/202

**FOREIGN PATENT DOCUMENTS**

CN 306363405 \* 3/2021

**OTHER PUBLICATIONS**

Amazon.com “1 By One High Fidelity Belt Drive Turntable with Built-in Speakers” (online) first available Aug. 4, 2020. Retrieved from Internet on Jul. 2, 2021, URL: <https://www.amazon.com/Fidelity-Turntable-Speakers-Cartridge-Functionality/dp/B086WTSMQH> (13 pages).\*

\* cited by examiner

*Primary Examiner* — Wendy L Arminio  
(74) *Attorney, Agent, or Firm* — W&KIP

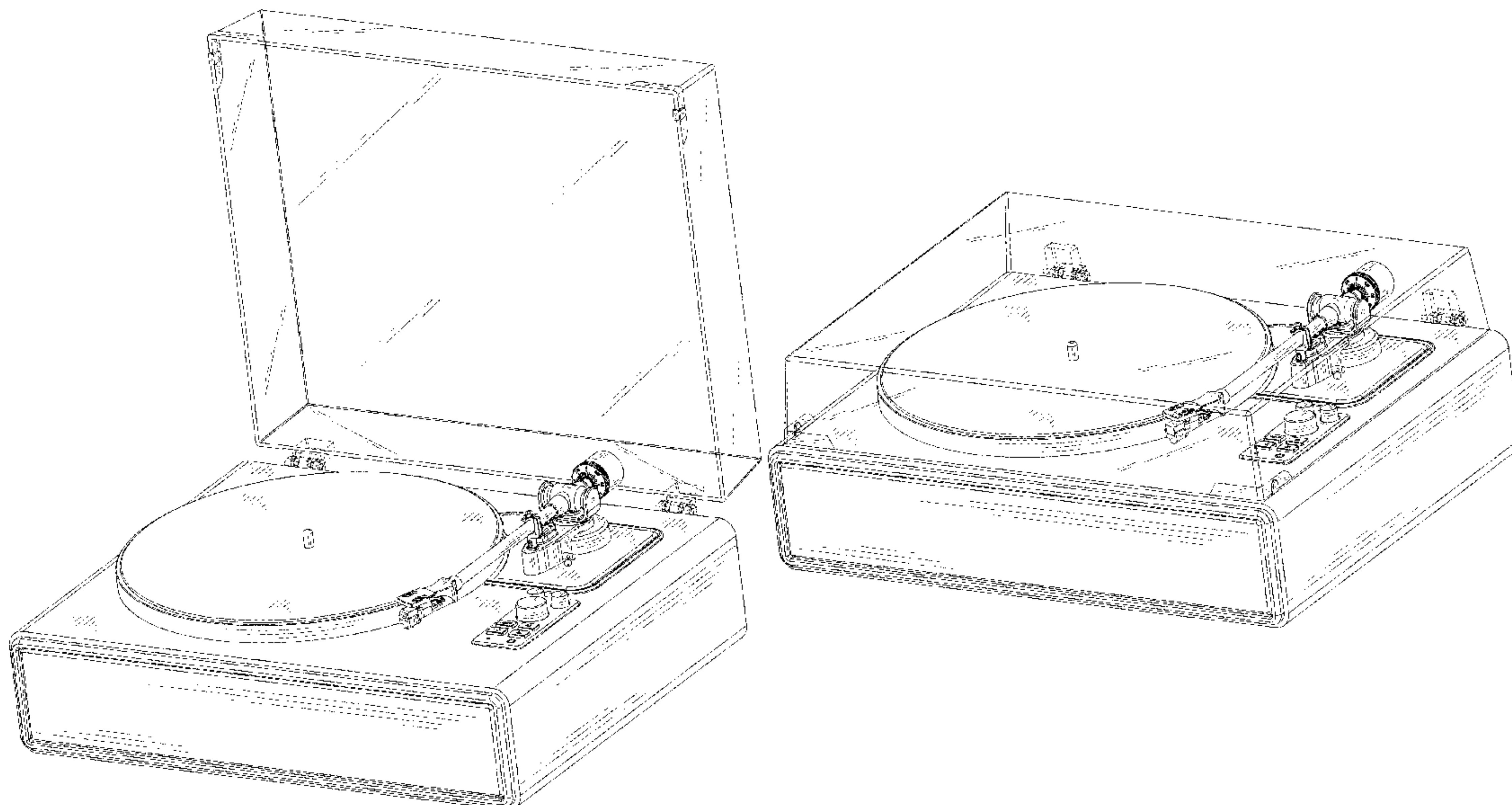
(57) **CLAIM**

The ornamental design for a record player, as shown and described.

**DESCRIPTION**

FIG. 1 is a perspective view of a record player showing my new design in an open configuration;  
FIG. 2 is a front view thereof;  
FIG. 3 is a rear view thereof;  
FIG. 4 is a left side view thereof;  
FIG. 5 is a right side view thereof;  
FIG. 6 is a top plan view thereof;  
FIG. 7 is a bottom plan view thereof;  
FIG. 8 is another perspective view thereof; and,  
FIG. 9 is a perspective view of the record player of FIG. 1 showing the design in a closed configuration.  
The broken lines where present illustrate portions of the record player that form no part of the claimed design.

**1 Claim, 9 Drawing Sheets**



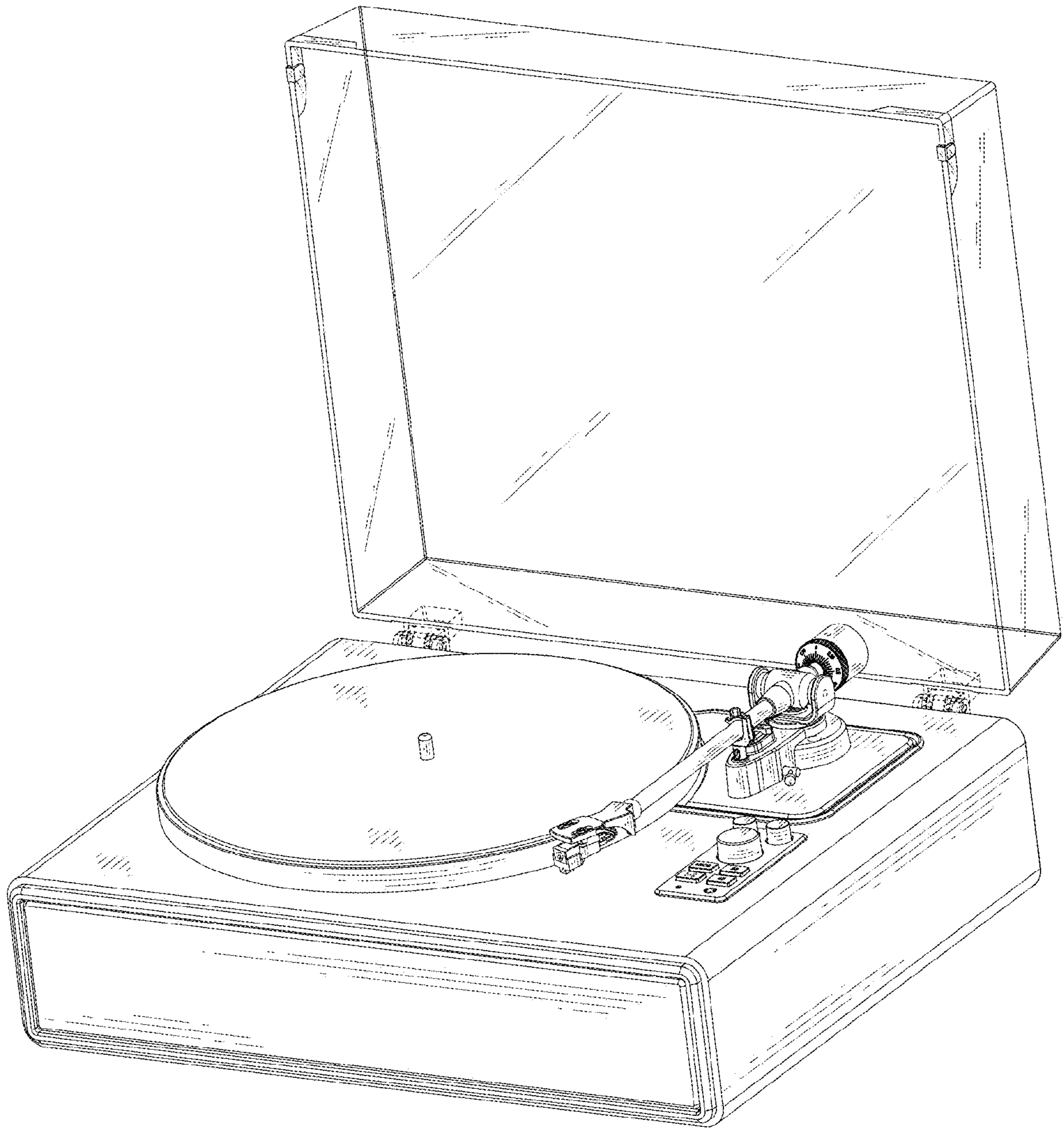


FIG. 1

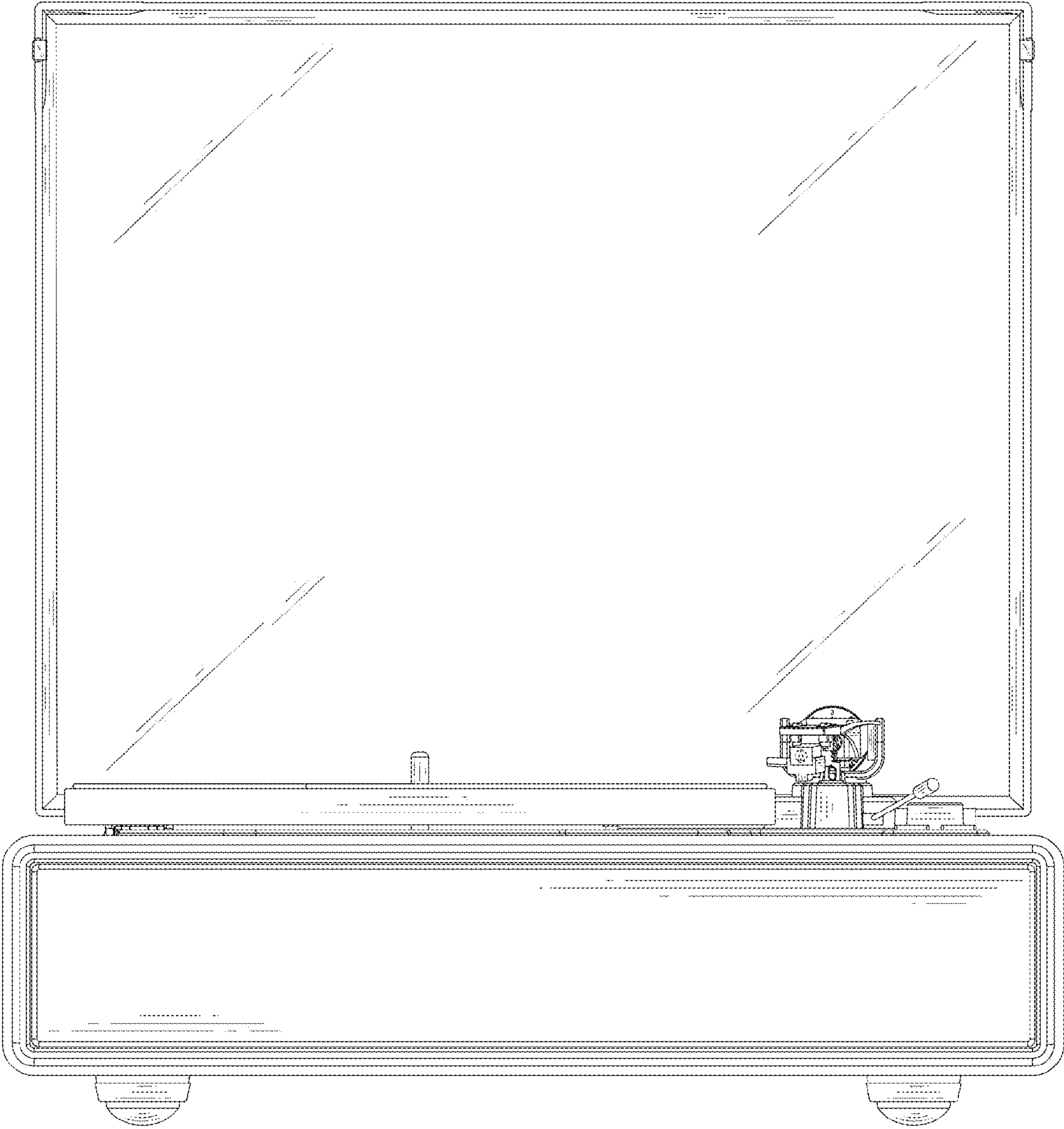


FIG. 2



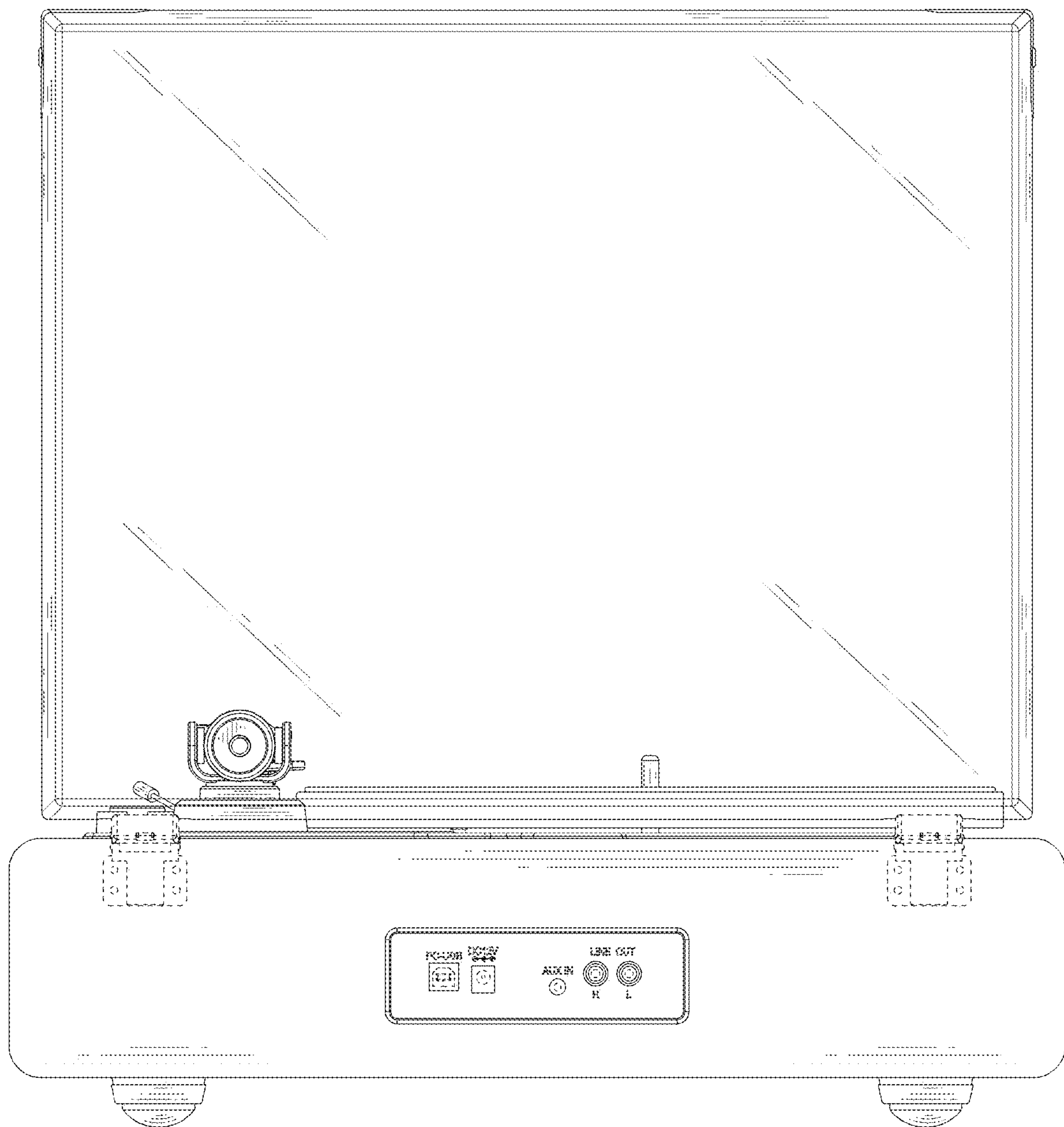


FIG. 3

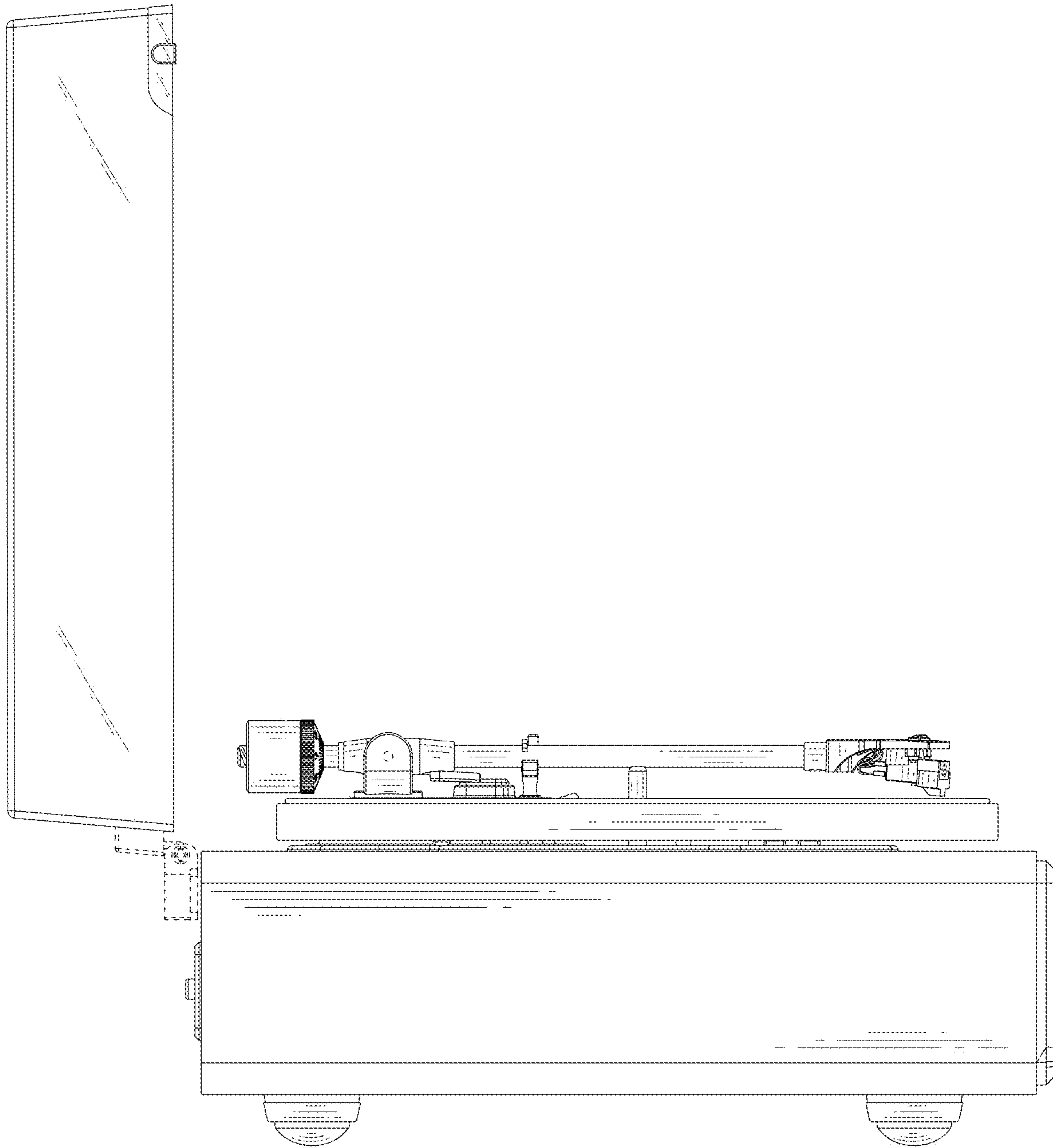


FIG. 4

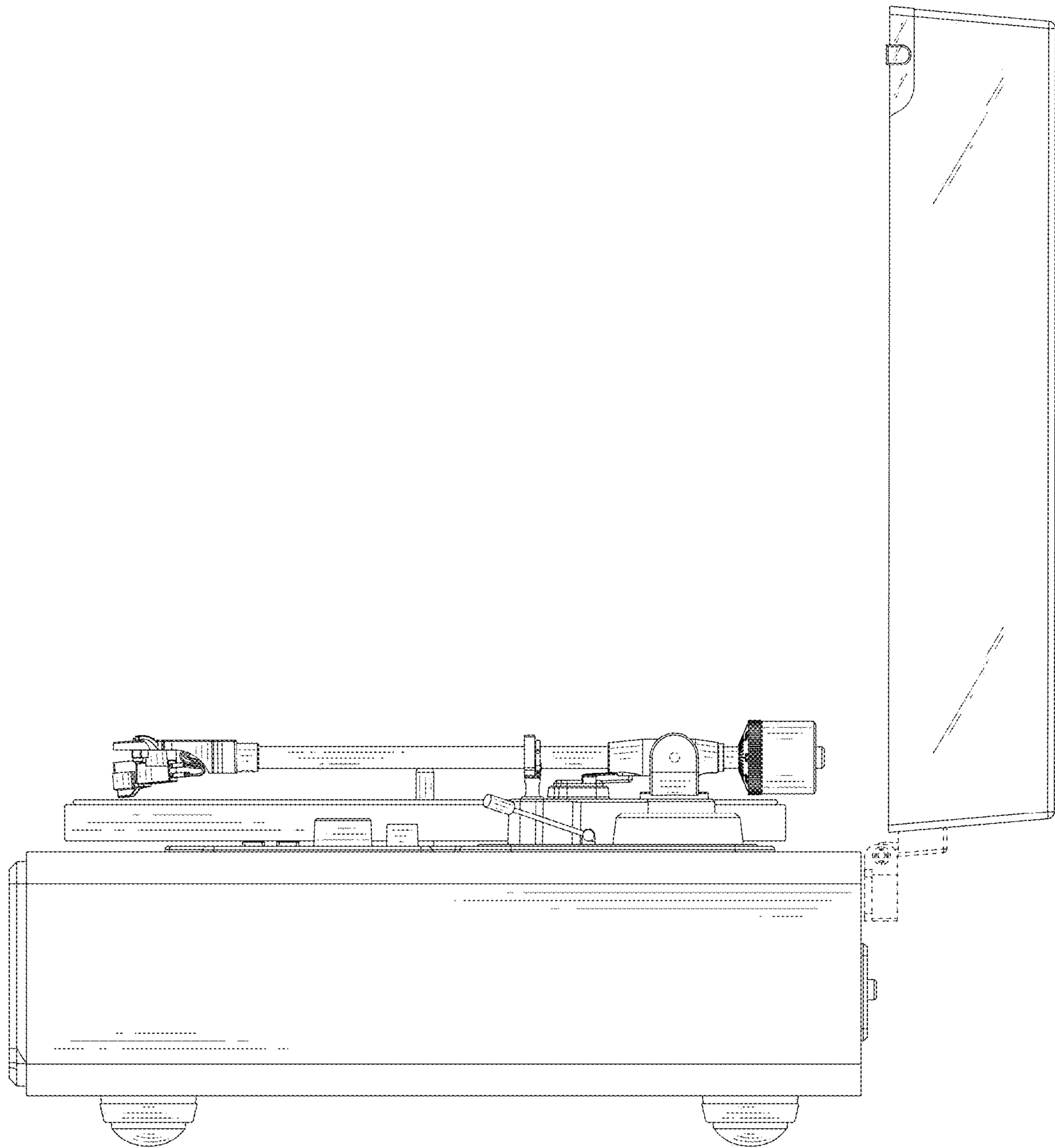


FIG. 5

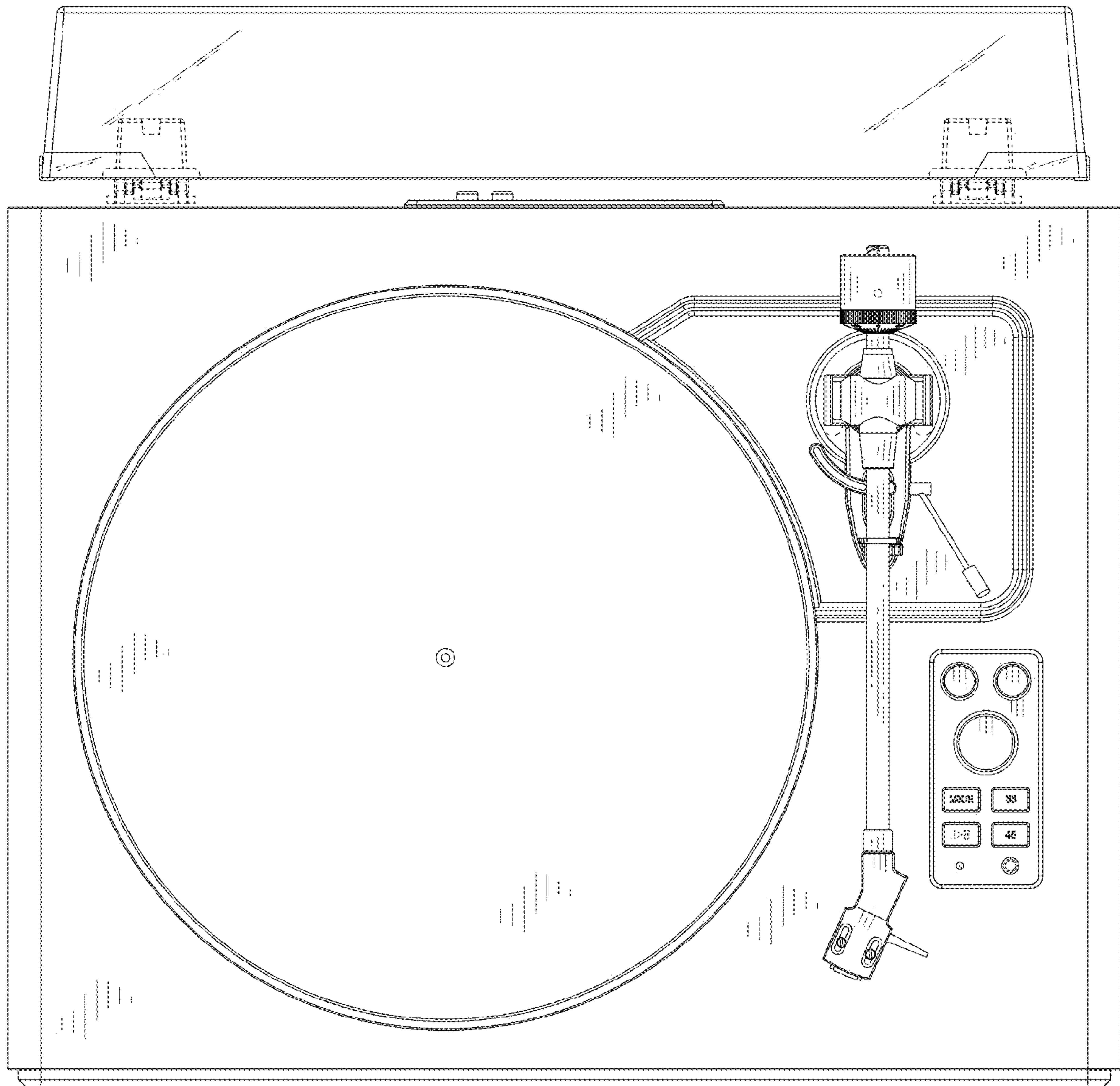


FIG. 6

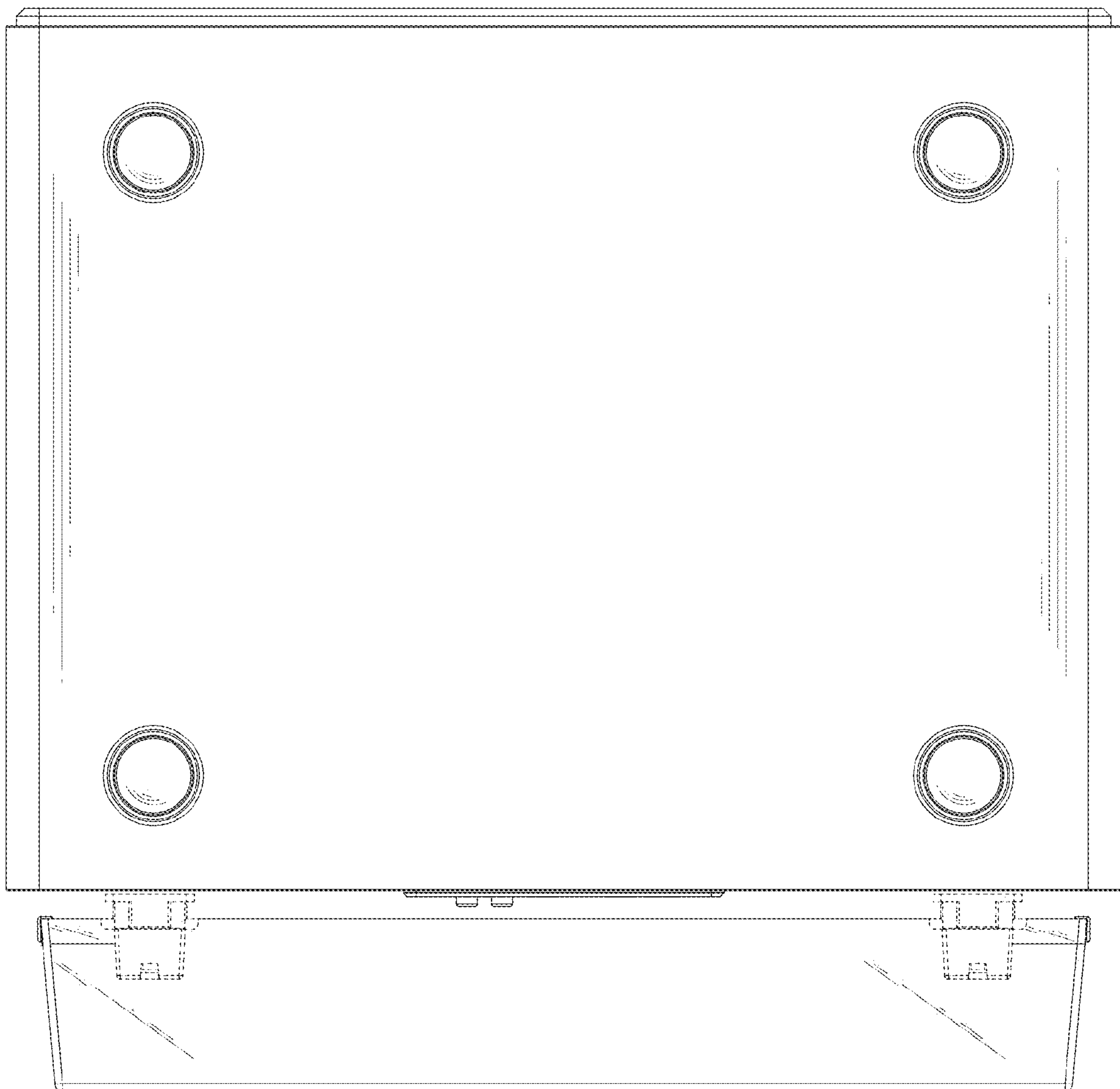


FIG. 7



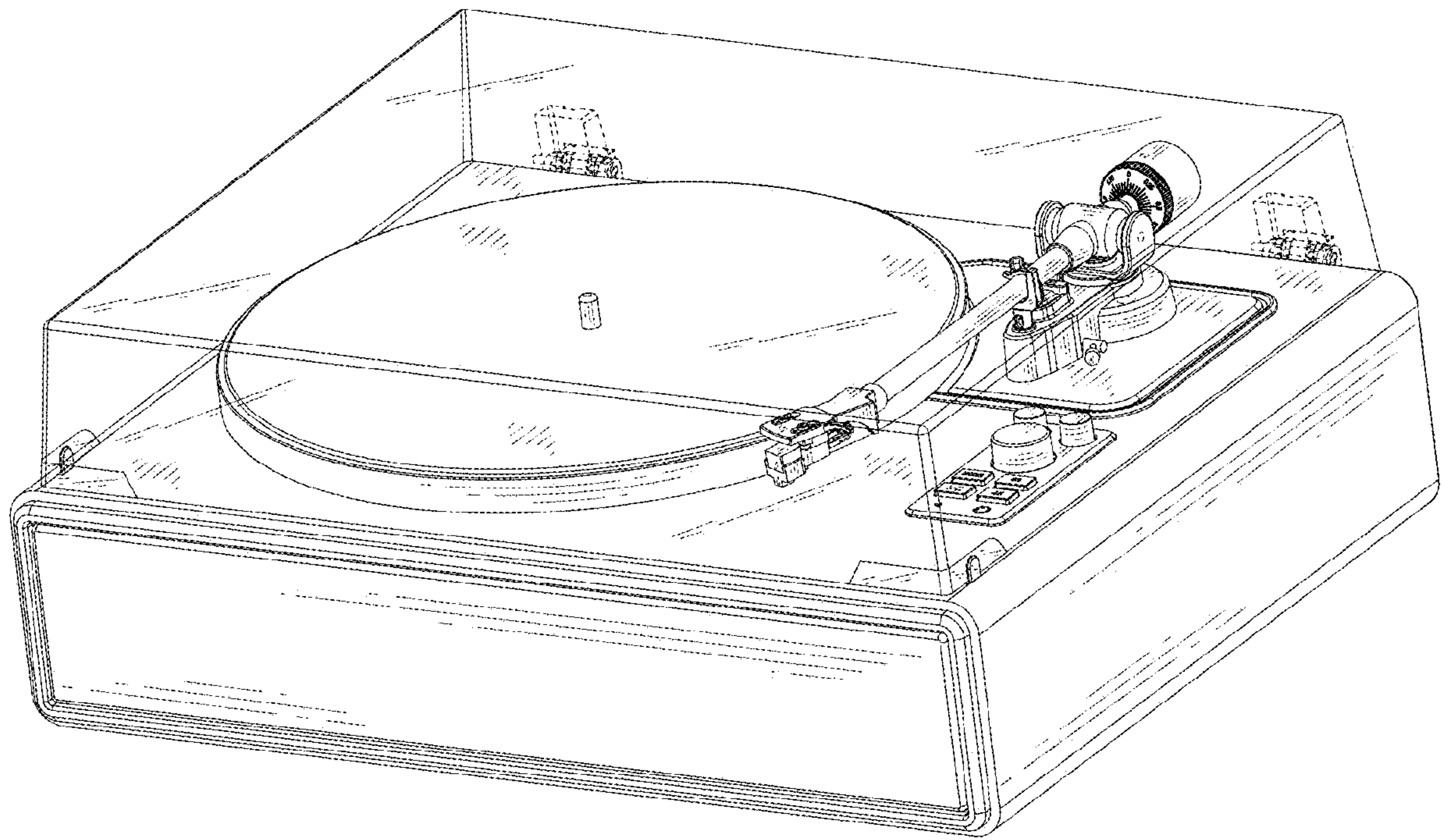


FIG. 8

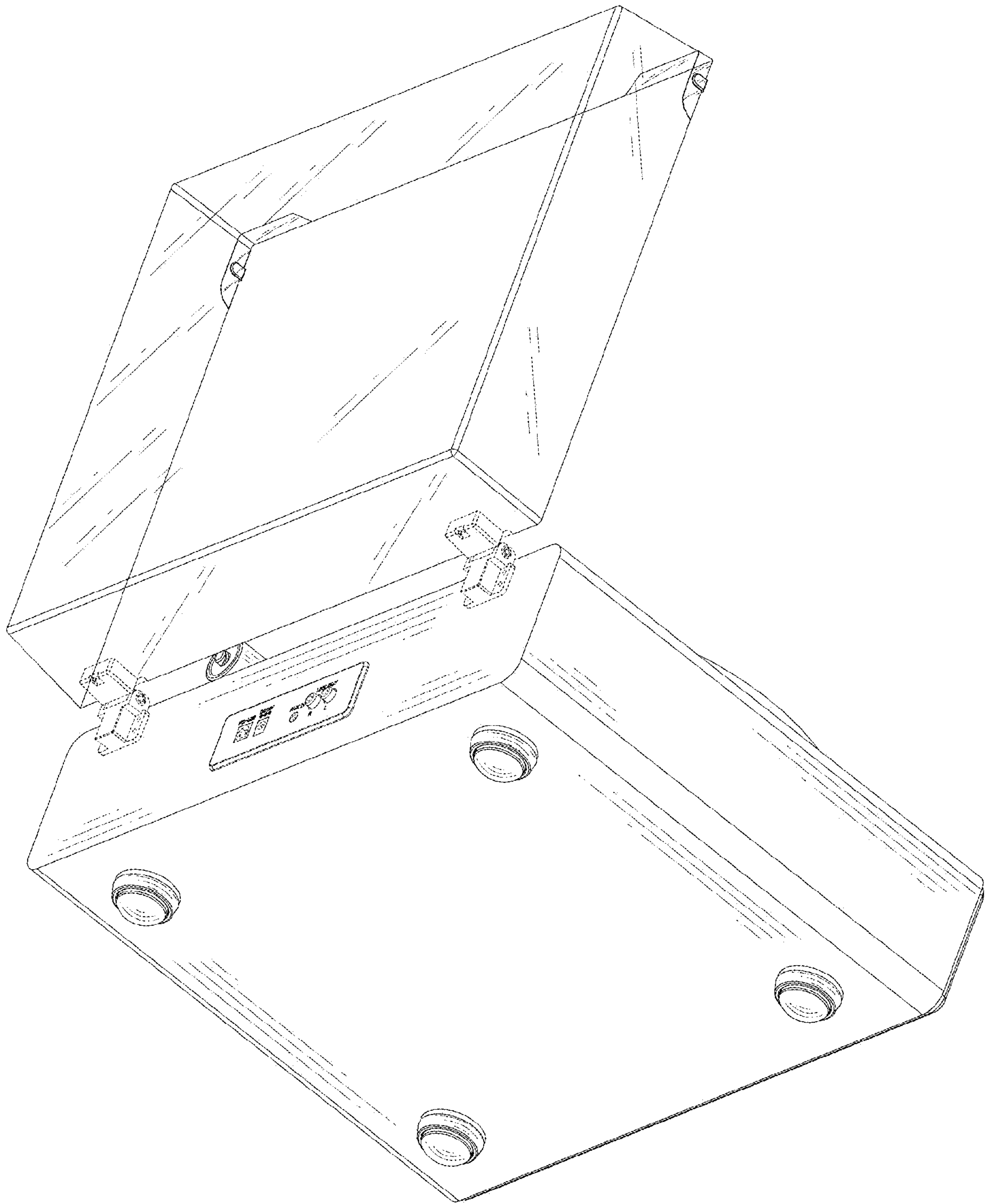


FIG. 9