



US00D940672S

(12) **United States Design Patent**
Unter Ecker et al.

(10) **Patent No.: US D940,672 S**
(45) **Date of Patent: ** Jan. 11, 2022**

(54) **MEDIA HUB DEVICE**

(71) Applicant: **Telefonaktiebolaget LM Ericsson (publ)**, Stockholm (SE)
(72) Inventors: **Oliver Unter Ecker**, Los Angeles, CA (US); **Alexander Dakin**, San Francisco, CA (US); **Scott Janis**, Pleasant Hill, CA (US); **Lucas Menanix**, Richmond, CA (US); **Colton Sanford**, Seattle, WA (US); **Isamu Taguchi**, San Francisco, CA (US); **Germain Verbrackel**, Arradon (FR)

(73) Assignee: **TELEFONAKTIEBOLAGET LM ERICSSON (PUBL)**, Stockholm (SE)

(**) Term: **15 Years**

(21) Appl. No.: **29/756,892**

(22) Filed: **Oct. 30, 2020**

(51) **LOC (13) Cl. 14-03**

(52) **U.S. Cl.**
USPC **D14/125; D14/358**

(58) **Field of Classification Search**
USPC D14/240, 242, 358, 351, 356, 357, 125, D14/155, 162, 167, 168, 172, 175, 188,
(Continued)

(56) **References Cited**

U.S. PATENT DOCUMENTS

D216,122 S 11/1969 Linden et al.
D253,400 S * 11/1979 Vander Wilt D10/106.5
(Continued)

FOREIGN PATENT DOCUMENTS

CN 104965575 A 10/2015
CN 305515959 S 12/2019
(Continued)

OTHER PUBLICATIONS

Amazon Echo Input Portable Edition, announced Dec. 23, 2019 [online], [retrieved Aug. 14, 2020], Available from Internet, URL <<https://www.indiatoday.in/technology/reviews/story/amazon-echo-input-portable-edition-smart-speaker-review-1630946-2019-12-23>> (Year: 2019), 13 pages.

(Continued)

Primary Examiner — Marie D. Fast Horse
(74) *Attorney, Agent, or Firm* — Nicholson De Vos Webster & Elliott LLP

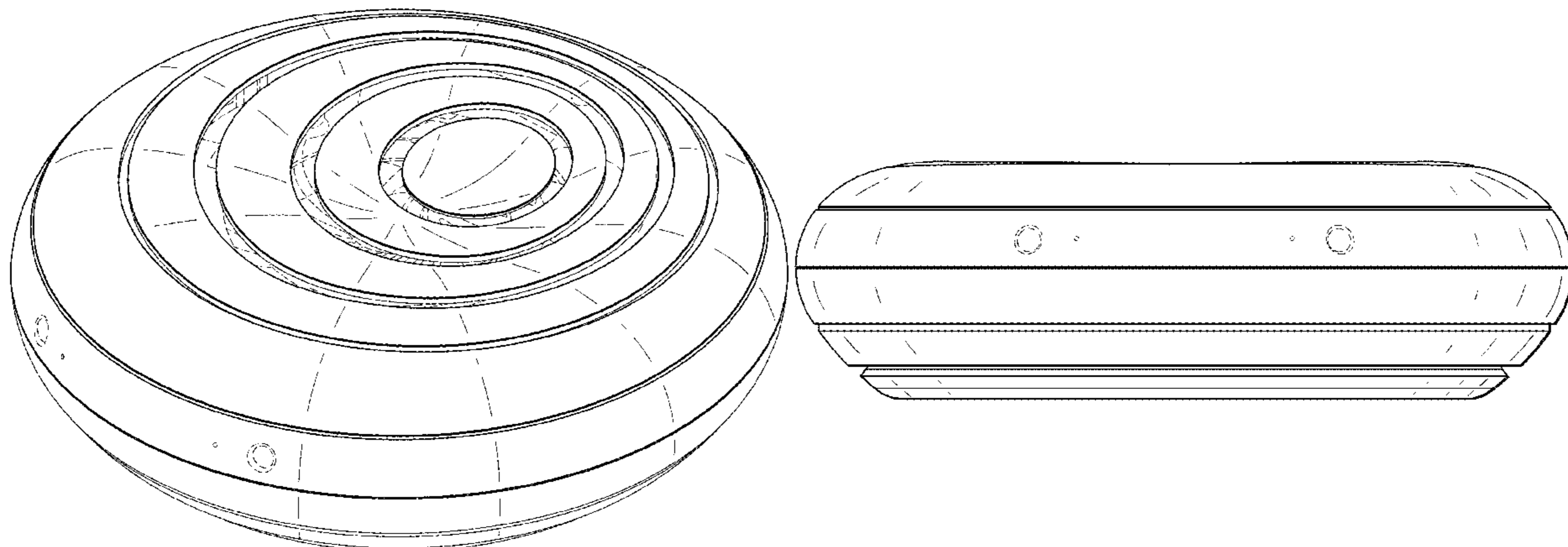
(57) **CLAIM**

The ornamental design for a media hub device, as shown and described.

DESCRIPTION

FIG. 1 shows a front perspective view of my new design of a media hub device;
FIG. 2 shows a front elevation view of the media hub device of FIG. 1;
FIG. 3 shows a rear elevation view of the media hub device of FIG. 1;
FIG. 4 shows a right view of the media hub device of FIG. 1;
FIG. 5 shows a left view of the media hub device of FIG. 1;
FIG. 6 shows a top view of the media hub device of FIG. 1;
FIG. 7 shows a bottom view of the media hub device of FIG. 1; and,
FIG. 8 shows a bottom perspective view of the media hub device of FIG. 1.
The broken lines in the figures illustrate portions of the media hub device that form no part of the claimed design.

1 Claim, 8 Drawing Sheets



(58) **Field of Classification Search**

USPC ... D14/195, 203.1, 203.6, 203.8, 204, 209.1,
 D14/216, 217, 218, 228, 299, 496, 140,
 D14/142, 388, 238.1; D13/123, 124, 152,
 D13/158, 162, 162.1, 168, 173, 184, 199;
 D10/104.1, 46; D21/324, 332
 CPC H04N 21/00; H04N 21/20; H04N 21/40;
 H04L 65/60

See application file for complete search history.

(56) **References Cited**

U.S. PATENT DOCUMENTS

D274,048 S * 5/1984 Wong D14/242
 D323,327 S * 1/1992 Davidson D14/219
 D327,052 S * 6/1992 Roberts D13/168
 D327,690 S * 7/1992 Ogawa D14/230
 D330,369 S * 10/1992 Conklin D13/168
 D346,170 S 4/1994 Tang
 D375,909 S * 11/1996 Dziersk D10/106.1
 D391,943 S 3/1998 Han
 D391,944 S * 3/1998 Han D14/356
 D392,633 S * 3/1998 Brunner D14/125
 D412,676 S * 8/1999 Layes D10/106.6
 D426,533 S * 6/2000 Hughes D14/149
 6,160,680 A 12/2000 Beuch et al.
 D442,570 S * 5/2001 Arjomand D14/160
 6,459,577 B1 10/2002 Holmes et al.
 D474,169 S * 5/2003 Fletcher D14/159
 D481,370 S * 10/2003 Popowski D14/150
 D492,279 S 6/2004 Lee
 D494,633 S * 8/2004 Nussberger D21/324
 D496,668 S * 9/2004 Huang D14/203.6
 D510,571 S * 10/2005 Cutler D14/125
 D512,718 S * 12/2005 Mori D14/434
 D515,516 S * 2/2006 Mayo D13/171
 D521,022 S * 5/2006 Chen D14/203.6
 D521,512 S * 5/2006 Kunzi D14/388
 D521,983 S 5/2006 Kuo
 D530,717 S * 10/2006 Mori D14/434
 D539,304 S * 3/2007 Lee D14/203.6
 D545,295 S * 6/2007 Peterson D14/149
 D545,805 S * 7/2007 Peterson D14/149
 D545,806 S * 7/2007 Peterson D14/149
 D545,808 S * 7/2007 Peterson D14/149
 D553,122 S * 10/2007 Solland D14/217
 D557,682 S 12/2007 Oas
 D568,304 S * 5/2008 Park D14/357
 D598,003 S * 8/2009 Park D14/149
 D606,593 S * 12/2009 Wilm D21/324
 D609,213 S 2/2010 Yeo
 D612,361 S 3/2010 Wright
 D619,117 S * 7/2010 Unruh D14/203.6
 D626,147 S * 10/2010 Goddard D14/496
 D629,806 S * 12/2010 Ho D14/434
 D633,231 S 2/2011 Morrison
 D638,001 S 5/2011 Nakhjiri et al.
 D640,692 S * 6/2011 Waisman-Diamond D14/358
 D666,575 S * 9/2012 Marsh D14/159
 D683,636 S 6/2013 Levanen
 D685,773 S * 7/2013 Katarow D14/240
 D694,463 S 11/2013 Sieczkowski
 D700,904 S 3/2014 Miller et al.
 D704,177 S 5/2014 Chun et al.
 D711,345 S * 8/2014 Liu D14/140
 D725,088 S 3/2015 Kwak et al.
 D728,525 S 5/2015 Zhang
 D731,996 S * 6/2015 Border D14/150
 D734,740 S 7/2015 Erbeus
 D739,397 S 9/2015 Akana et al.
 D742,359 S 11/2015 Zhao
 D743,383 S * 11/2015 Hinokio D14/228
 D746,269 S * 12/2015 Chen D14/227
 D747,984 S * 1/2016 Zhao D10/52
 D751,538 S * 3/2016 Koehler D14/240
 D752,024 S 3/2016 Kachwalla

D752,531 S * 3/2016 Xu D14/125
 D757,014 S 5/2016 Hahn et al.
 D766,214 S * 9/2016 Mackiewicz D14/216
 D766,844 S 9/2016 Turksu et al.
 D768,114 S 10/2016 Hou
 D771,600 S * 11/2016 Hinokio D14/228
 D775,233 S * 12/2016 Beck D14/496
 D778,871 S 2/2017 Corval
 D780,137 S * 2/2017 Tallqvist D14/125
 D780,150 S * 2/2017 Border D14/150
 D784,412 S 4/2017 Akana et al.
 D784,963 S * 4/2017 Saule D14/228
 D785,632 S * 5/2017 VanDuyn D14/433
 D788,820 S * 6/2017 Beck D14/496
 D789,373 S 6/2017 King
 D793,363 S 8/2017 Zhang
 D793,399 S * 8/2017 Feldstein D14/433
 D796,513 S * 9/2017 Feldstein D14/433
 D797,042 S * 9/2017 Miller D13/107
 D797,087 S * 9/2017 Burton D14/242
 D797,704 S 9/2017 Fischer et al.
 D798,490 S 9/2017 Haines et al.
 9,793,869 B1 10/2017 Snyder et al.
 D802,022 S 11/2017 Yao et al.
 D803,191 S * 11/2017 Luo D14/216
 D804,531 S * 12/2017 Beck D14/496
 D808,389 S 1/2018 Judge et al.
 D808,901 S * 1/2018 Kelly D13/107
 D809,951 S 2/2018 Yang et al.
 D810,137 S 2/2018 Tsang et al.
 D811,361 S * 2/2018 Peng D14/149
 D812,577 S 3/2018 Turksu et al.
 D813,273 S 3/2018 Mecchella et al.
 D820,238 S * 6/2018 Boshernitzan D14/218
 D820,318 S 6/2018 Mullins et al.
 D822,717 S * 7/2018 Lim D14/496
 D824,384 S * 7/2018 Magi D14/496
 D825,539 S 8/2018 Lu et al.
 D827,598 S * 9/2018 Kwon D14/125
 D828,342 S * 9/2018 Chen D14/240
 D830,870 S 10/2018 Shepher
 D832,306 S * 10/2018 Liao D14/496
 D834,567 S 11/2018 Snyder et al.
 D839,189 S 1/2019 Miller et al.
 D840,436 S 2/2019 Demin et al.
 D844,593 S * 4/2019 Bould D14/358
 D845,258 S 4/2019 D'Ambrosio
 D846,418 S 4/2019 Yang
 D852,229 S 6/2019 Akana et al.
 D854,168 S * 7/2019 He D24/187
 D855,040 S 7/2019 Fu et al.
 D856,298 S * 8/2019 Border D14/150
 D856,961 S * 8/2019 Suzuki D14/149
 D859,335 S 9/2019 D'Ambrosio et al.
 D859,364 S 9/2019 Chalabi et al.
 D862,405 S * 10/2019 Russo D14/125
 D862,417 S 10/2019 Chalabi et al.
 D862,418 S 10/2019 Distefano
 D862,455 S * 10/2019 Nagano D14/301
 D863,247 S * 10/2019 Suzuki D14/149
 D864,162 S 10/2019 Peterson et al.
 D864,930 S 10/2019 Bould et al.
 D866,518 S 11/2019 Ding
 D873,799 S 1/2020 Longenecker
 D876,400 S * 2/2020 Russo D14/228
 D879,053 S * 3/2020 Yu D13/168
 D879,737 S * 3/2020 Suzuki D14/149
 D883,329 S 5/2020 Shi et al.
 D883,970 S * 5/2020 Wang D14/242
 D884,677 S 5/2020 Feng
 D885,367 S 5/2020 Guo et al.
 D886,759 S * 6/2020 Bailey D14/149
 D888,687 S 6/2020 Xu et al.
 D888,688 S 6/2020 Qingqin
 D894,963 S 9/2020 Li
 D900,821 S * 11/2020 Johnston D14/388
 D910,001 S * 2/2021 Chang D14/358
 D914,662 S 3/2021 Unter Ecker
 D928,784 S * 8/2021 Lee D14/358

(56)

References Cited

U.S. PATENT DOCUMENTS

2013/0028457 A1 1/2013 Yeh et al.
 2015/0078006 A1 3/2015 Hu et al.
 2015/0356858 A1* 12/2015 Daoura H04L 67/10
 340/539.32
 2020/0329582 A1 10/2020 Unter Ecker

FOREIGN PATENT DOCUMENTS

GB 6093531 6/2020
 IN 303056-0001 7/2019
 KR 30-1064182 6/2020
 WO 2014/197731 A1 12/2014
 WO D200610-001 11/2018
 WO DM/200 610 11/2018
 WO D203968-001 4/2019

OTHER PUBLICATIONS

Bond Home Review, announced 2018 [online], [retrieved Nov. 20, 2020] Available from Internet, URL: <<https://thesmartcave.com/bond-home-review/>> (Year: 2018).
 CareDot Oversized Emergency Button, announced Sep. 6, 2019 [online], [retrieved Aug. 25, 2020] Available from Internet, URL:

<<https://thegadgetflow.com/portfolio/oversized-emergency-button/>> (Year: 2019).
 Red Dot award, first available Apr. 6, 2017 [online], [retrieved Aug. 14, 2020], Available from Internet, URL: <<https://www.ericsson.com/en/news/2017/4/red-dot-award-to-five-ericsson-products>> (Year: 2017), 7 pages.
 Shower Bluetooth Speaker, announced 2019 [online], [retrieved Aug. 14, 2020], Available from Internet, URL: <https://www.sunnylife.com/products/shower-bluetooth-speaker-electric-bloom-navy-blue?gclid=CjOKCQjw7Nj5BRCZARIsABwxDKIeZcQmbZN_WwjwfvNgh3RYMRzqipLgnQ6CZ5UakrPLoV77tySFQaAqrgEALw_wcB> (Year:2020), 1 page.
 Sony SRS-XB23 Extra Bass, first available May 11, 2020 [online], [retrieved Aug. 14, 2020], Available from Internet, URL:<https://www.amazon.com/Sony-SRS-XB23-EXTRA-BASS-inal%C3%A1mbrico/dp/B086DDP55B/ref=sr_1_3dchild=1&keywords=sony%2Bportable%2Bspeaker&qid=1597513019&sr=8-3&th=1> (Year: 2020), 7 pages.
 SoundRing wireless speaker, announced Sep. 22, 2014 [online], [retrieved Aug. 14, 2020], Available from Internet, URL: <https://www.usa.philips.com/c-p/DS3881W_37/fidelio-soundring-wireless-speaker> (Year: 2014), 5 pages.
 Sunbeam Fpsbdml920 Full Size Donut Maker, announced Oct. 31, 2010 [online], [retrieved Nov. 20, 2020] Available from Internet, URL:<<https://www.amazon.com/Sunbeam-Fpsbdml920-Full-Donut-Maker/dp/B003TSB4M8>> (Year: 2010).

* cited by examiner

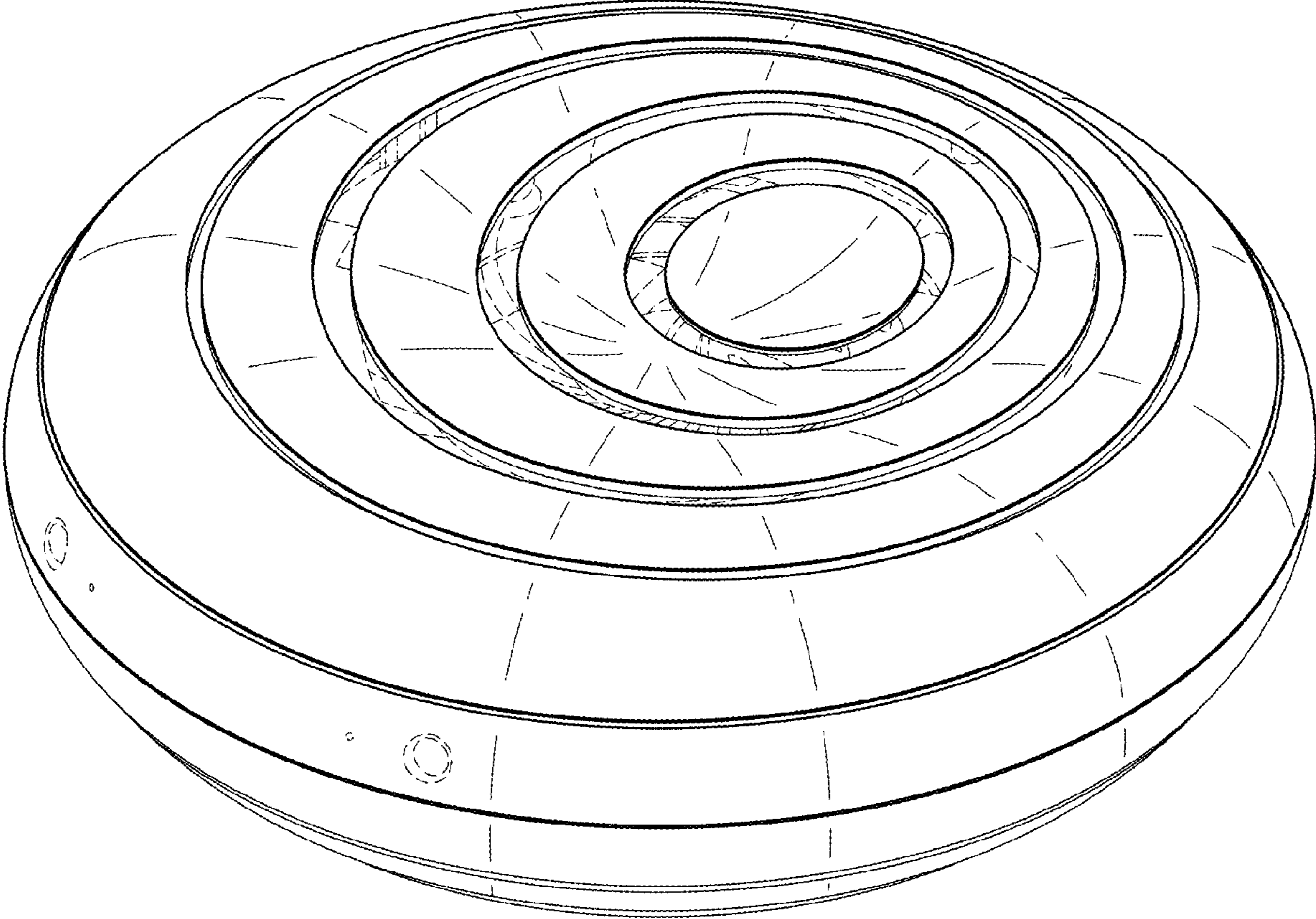


FIG. 1

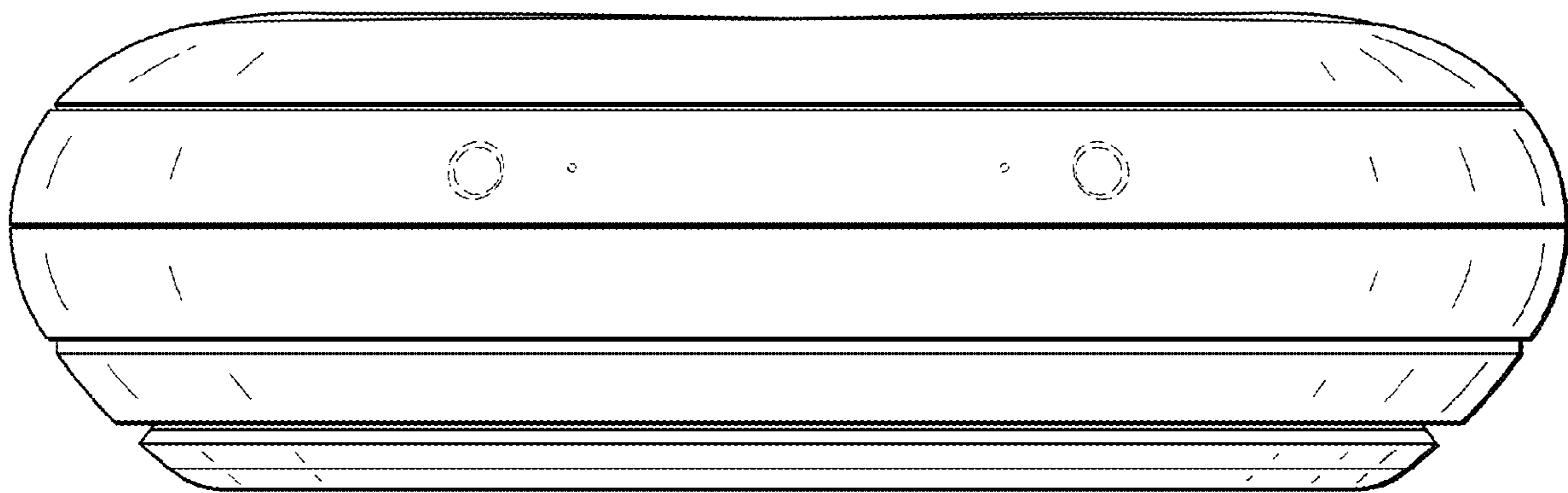


FIG. 2

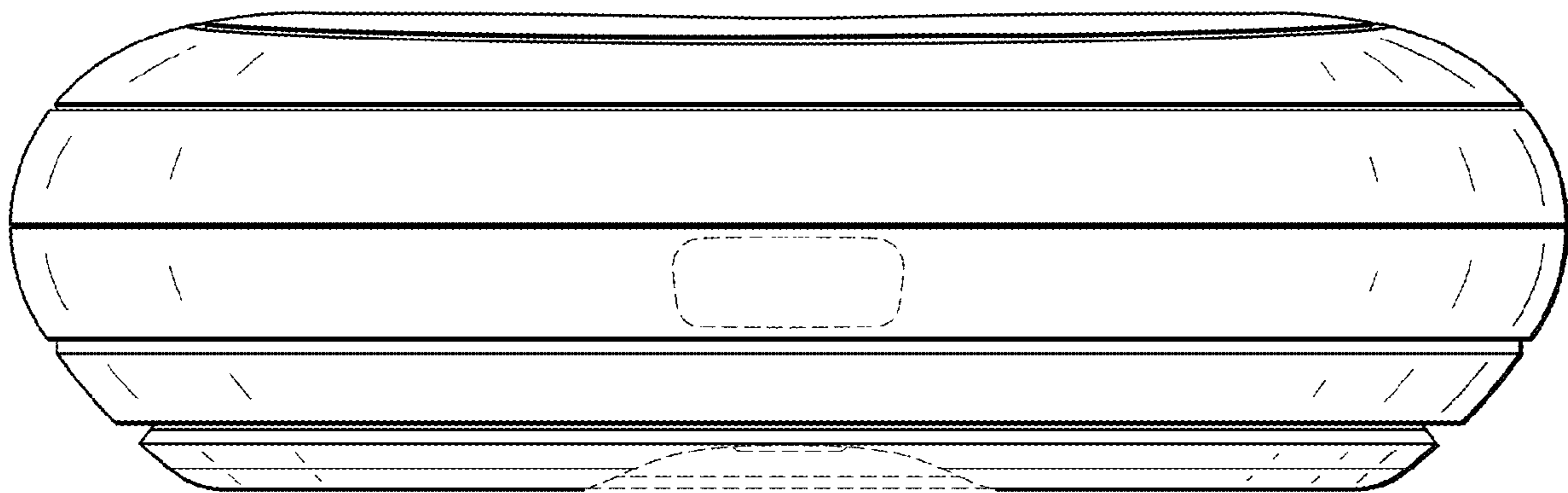


FIG. 3

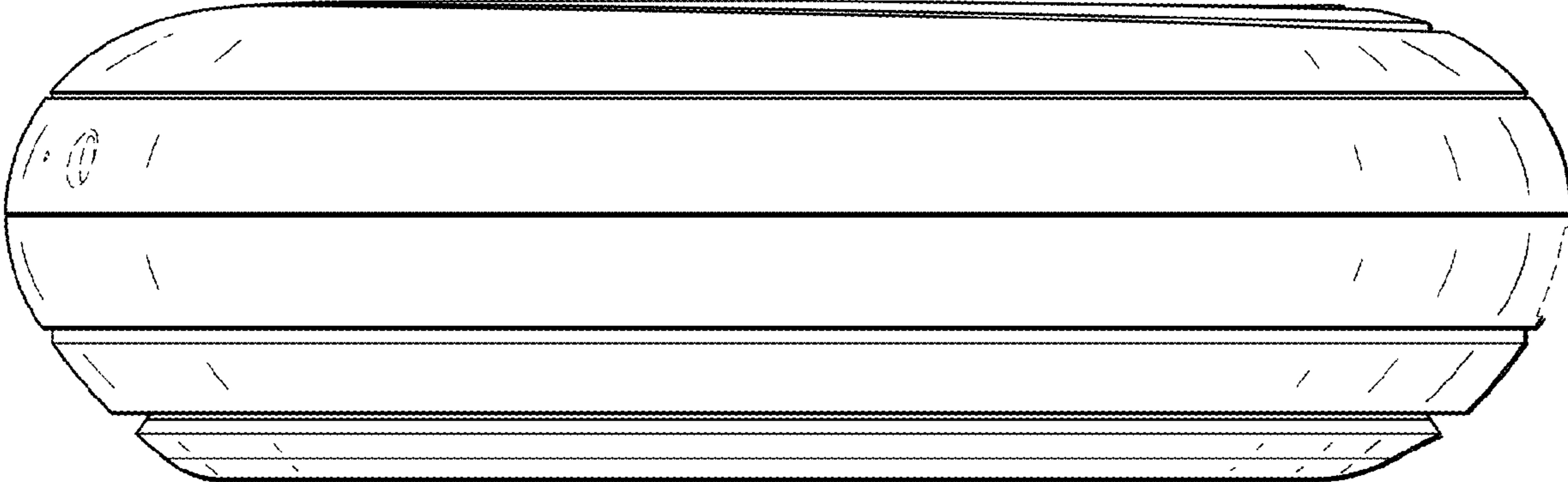


FIG. 4

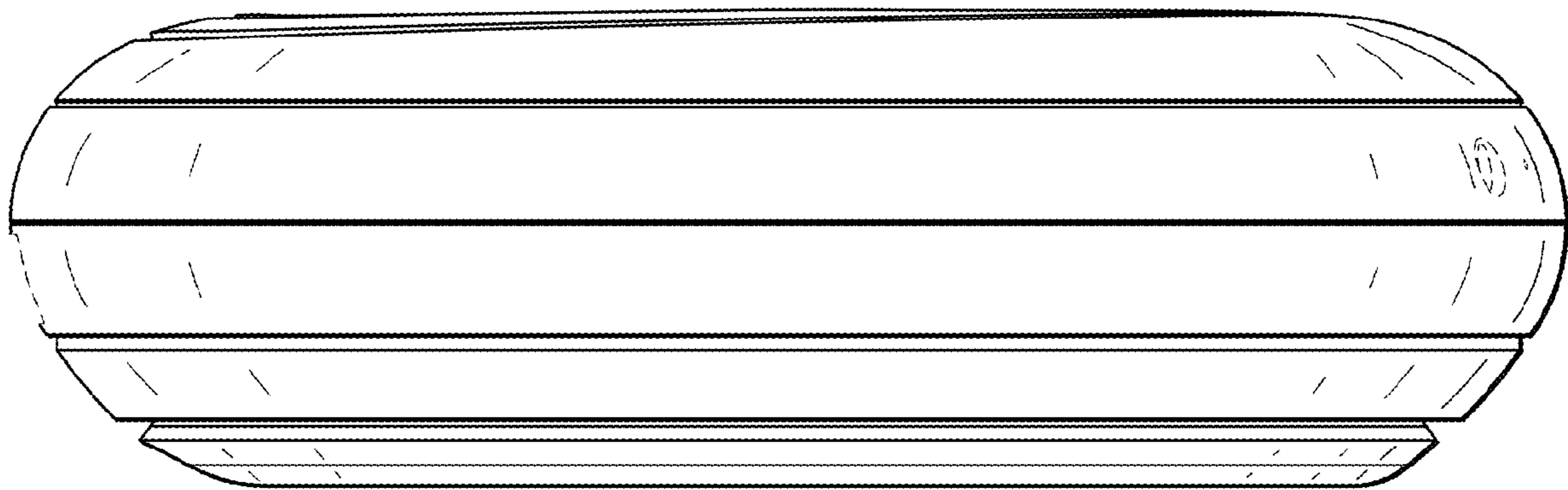


FIG. 5

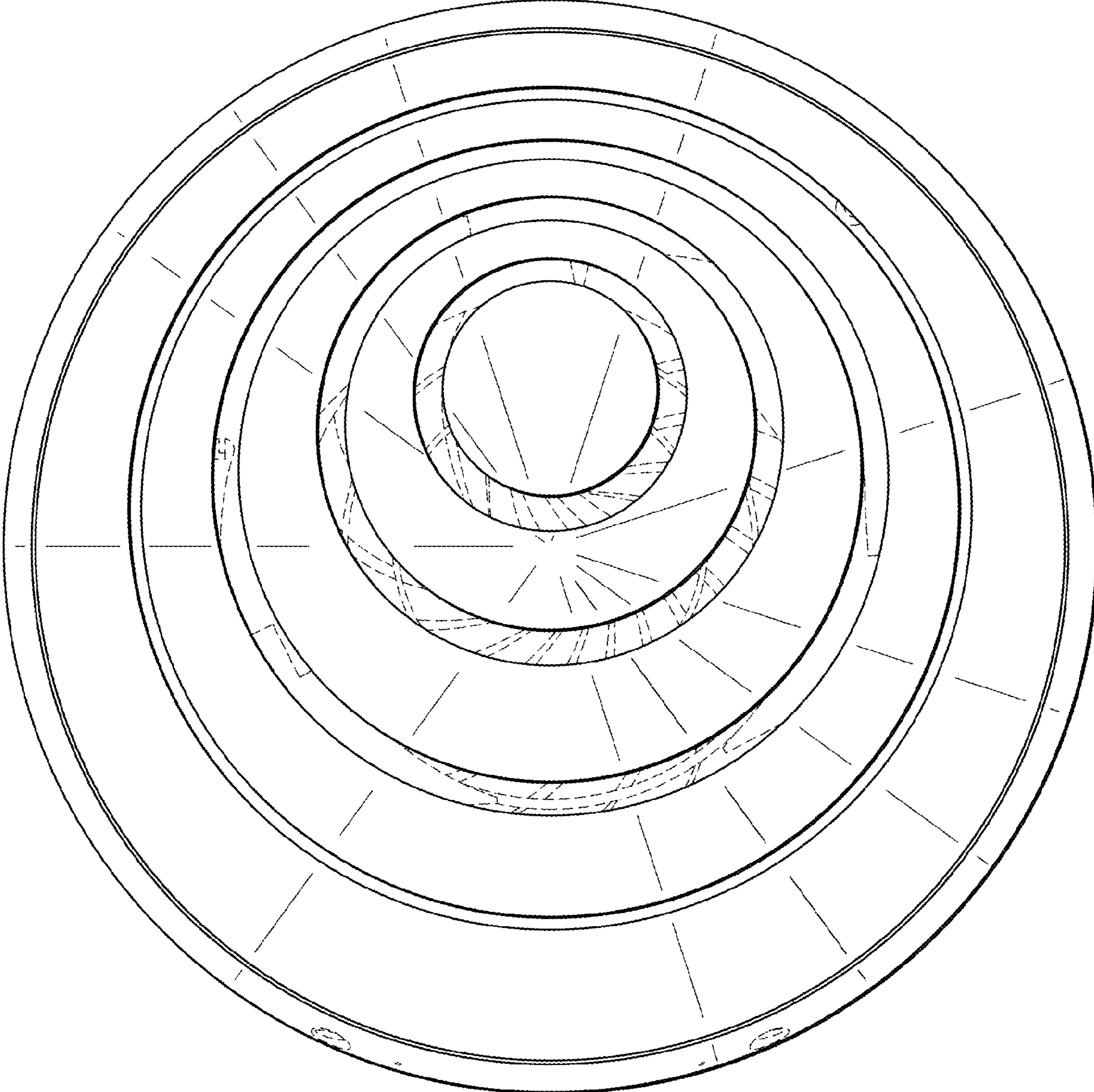


FIG. 6

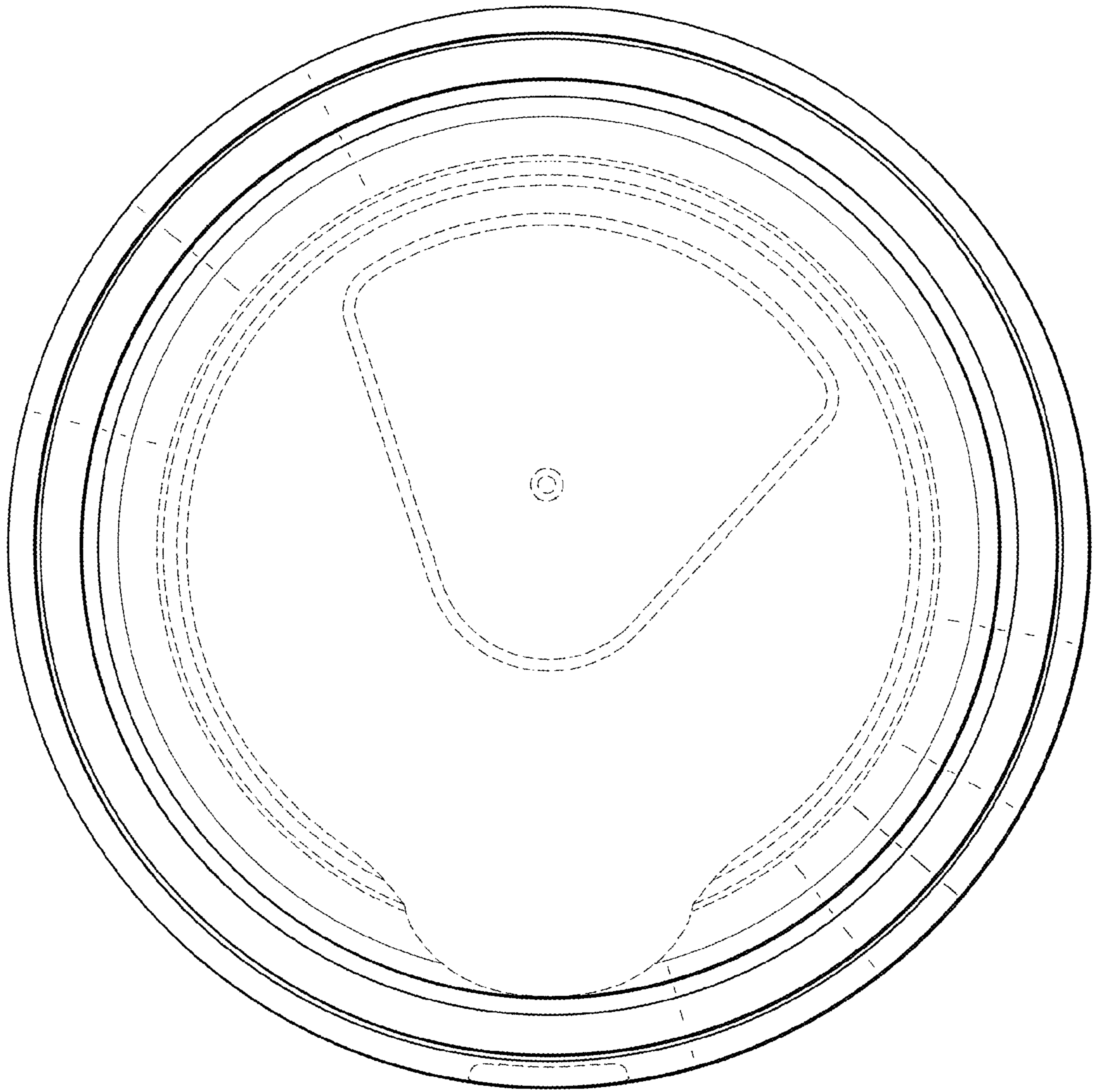


FIG. 7

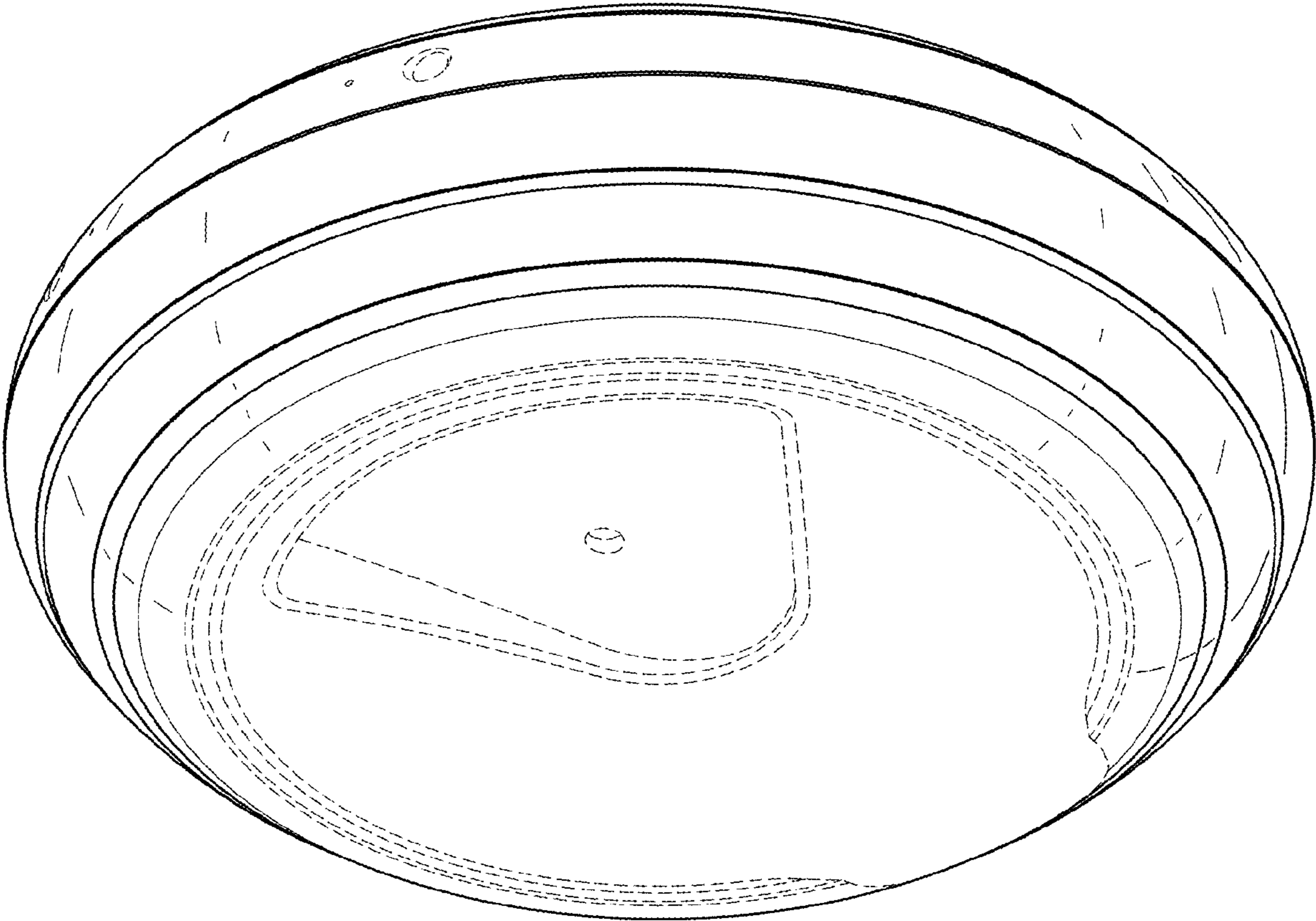


FIG. 8