



US00D940671S

(12) **United States Design Patent**  
**DeVito et al.**

(10) **Patent No.:** **US D940,671 S**  
(45) **Date of Patent:** **\*\* Jan. 11, 2022**

(54) **INTERLOCK BOX FOR A LOADING DOCK**

(71) Applicant: **Builders Chicago Corporation**,  
Rosemont, IL (US)

(72) Inventors: **John DeVito**, Hampshire, IL (US);  
**Benjamin Gregory Witek**, Downers  
Grove, IL (US)

(73) Assignee: **Builders Chicago Corporation**,  
Rosemont, IL (US)

(\*\*) Term: **15 Years**

(21) Appl. No.: **29/683,310**

(22) Filed: **Mar. 12, 2019**

(51) **LOC (13) Cl.** ..... **13-03**

(52) **U.S. Cl.**  
USPC ..... **D13/184; D13/162**

(58) **Field of Classification Search**  
USPC ..... D13/152, 158, 162, 177, 184; D14/240,  
D14/308

CPC .... B65G 69/003; B65G 69/008; B65G 69/28;  
B65G 69/2882; H02J 9/06

See application file for complete search history.

(56) **References Cited**

**U.S. PATENT DOCUMENTS**

4,843,373	A *	6/1989	Trickle	.....	B65G 69/003 340/540
5,453,735	A *	9/1995	Hahn	.....	B65G 69/003 340/687
5,831,540	A *	11/1998	Sullivan	.....	B65G 69/2882 340/679
7,034,236	B2 *	4/2006	Endres	.....	H01H 19/635 200/17 R
7,119,673	B2 *	10/2006	Eager	.....	G05B 23/0272 340/500
D534,875	S *	1/2007	Wu	.....	D13/169
D546,770	S *	7/2007	Herbstritt	.....	D13/162
7,274,300	B2 *	9/2007	Duvernell	.....	B65G 69/001 340/686.2

D570,790	S *	6/2008	Egea Soler	.....	D13/162
D576,566	S *	9/2008	Wu	.....	D13/169
7,482,534	B2 *	1/2009	Ye	.....	H01H 3/0213 174/17 VA
D609,650	S *	2/2010	Chou	.....	D13/169
D646,239	S *	10/2011	Chandler, Jr.	.....	D13/184
D702,198	S *	4/2014	Gretz	.....	D13/184
D730,305	S *	5/2015	Brunn	.....	D13/184

(Continued)

**OTHER PUBLICATIONS**

APS Resource; Stand Alone Restraint Control Panel; 2018; 3 pgs.;  
<https://apsresource.com/products/vehicle-restraints/>.\*

(Continued)

*Primary Examiner* — Selina Sikder

(74) *Attorney, Agent, or Firm* — Cook Alex Ltd.

(57) **CLAIM**

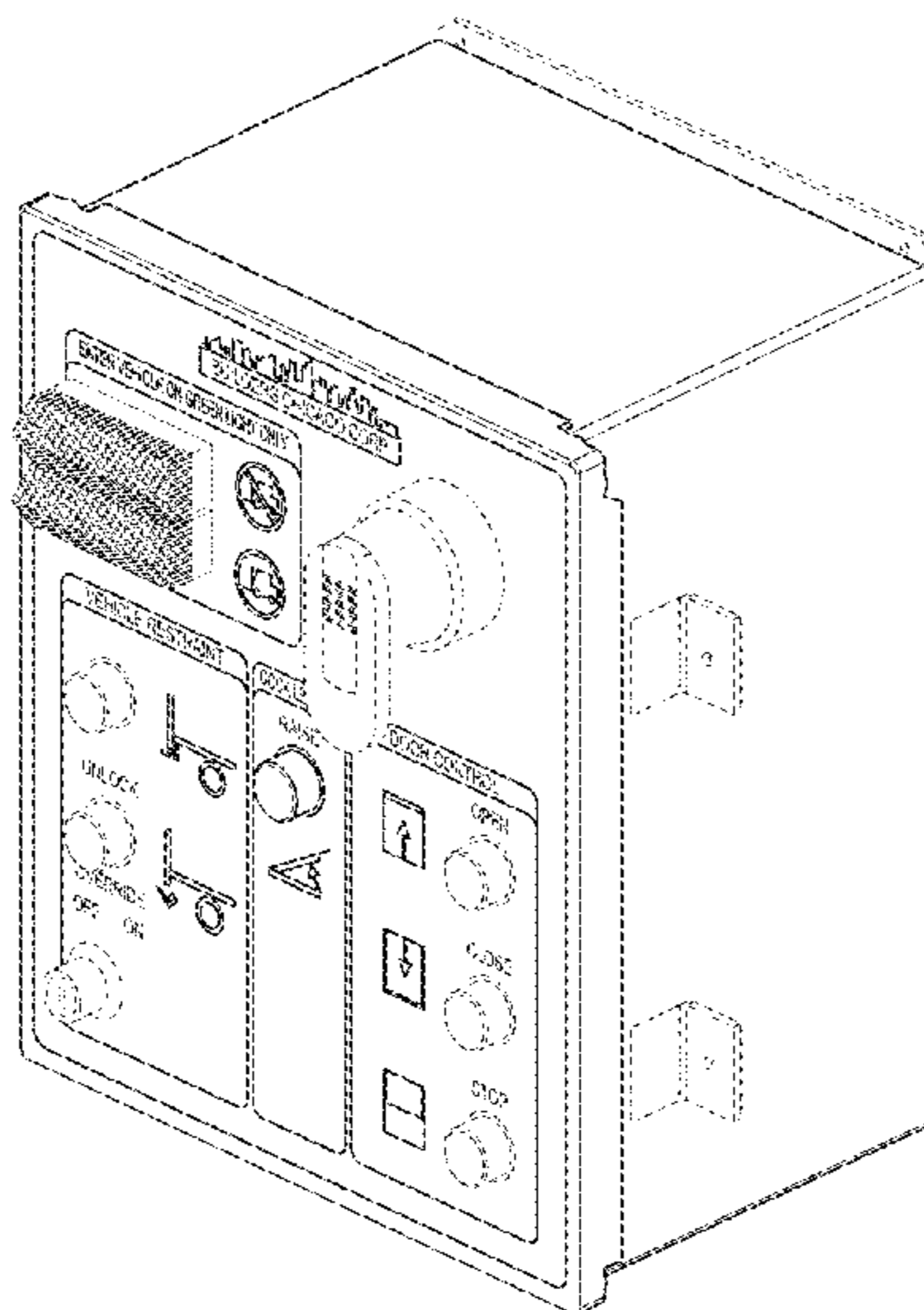
The ornamental design for an interlock box for a loading dock, as shown and described.

**DESCRIPTION**

FIG. 1 is a perspective view of an interlock box for a loading dock showing our new design;  
FIG. 2 is a front view of the interlock box for a loading dock of FIG. 1;  
FIG. 3 is a rear view of the interlock box for a loading dock of FIG. 1;  
FIG. 4 is a left side view thereof;  
FIG. 5 is a right side view thereof;  
FIG. 6 is a bottom view of the interlock box for a loading dock of FIG. 1; and,  
FIG. 7 is a top view of the interlock box for a loading dock of FIG. 1.

The broken lines in the drawings depict portion of the interlocking box for a loading dock that form no part of the claimed design.

**1 Claim, 5 Drawing Sheets**



(56)

**References Cited**

U.S. PATENT DOCUMENTS

D774,008 S \* 12/2016 Michaelraj ..... D13/184  
 D820,220 S \* 6/2018 Kato ..... D13/162  
 D830,976 S \* 10/2018 Liao ..... D13/169  
 D830,977 S \* 10/2018 Liao ..... D13/169  
 D831,569 S \* 10/2018 Simoni ..... D13/110  
 D851,608 S \* 6/2019 Zheng ..... D13/169  
 10,358,858 B2 \* 7/2019 Lietz ..... E05F 15/40  
 D859,328 S \* 9/2019 Gutierrez ..... D13/169  
 D863,236 S \* 10/2019 Plaja Miro ..... D13/169  
 D883,237 S \* 5/2020 Plaja Miro ..... D13/169  
 10,770,244 B2 \* 9/2020 Shan ..... H01H 13/58  
 10,878,386 B2 \* 12/2020 Hoofard ..... G06Q 50/28  
 D915,306 S \* 4/2021 Fu ..... D13/158  
 D925,483 S \* 7/2021 Elashuk ..... D13/184  
 2011/0203059 A1 \* 8/2011 Whitley ..... B65G 69/006  
 14/71.3  
 2011/0259720 A1 \* 10/2011 Wu ..... H01H 23/025  
 200/317

2013/0301224 A1 \* 11/2013 Chu ..... H05K 5/0017  
 361/728  
 2016/0020047 A1 \* 1/2016 Hill ..... G06Q 30/0283  
 340/12.5  
 2018/0160502 A1 \* 6/2018 Casey ..... H05B 45/20  
 2019/0144218 A1 \* 5/2019 Hoofard ..... B65G 69/008  
 52/173.2  
 2019/0226670 A1 \* 7/2019 Riqu Rebull ..... H01H 23/24  
 2020/0043683 A1 \* 2/2020 Zhang ..... H01H 23/08  
 2020/0125074 A1 \* 4/2020 Ramos ..... E05F 15/73  
 2020/0126739 A1 \* 4/2020 Shan ..... H01H 23/04

OTHER PUBLICATIONS

Master Control Panel—Kelley Loading Dock Solutions; retrieved on Sep. 22, 2021; 1 pg.; <https://kelleydockolutions.com/interior-equipment/controls-management-systems/master-control-panel/>.\*

\* cited by examiner

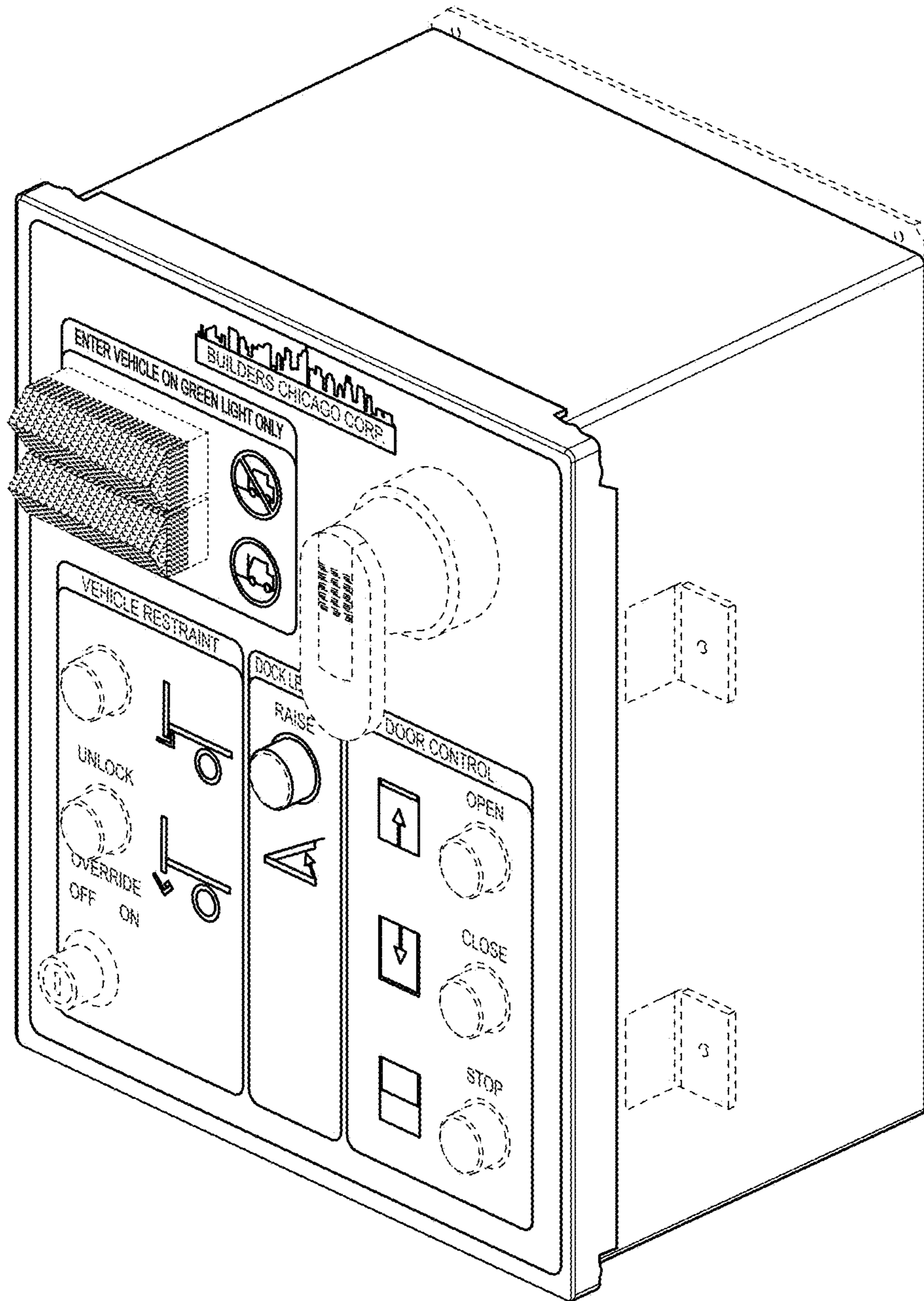
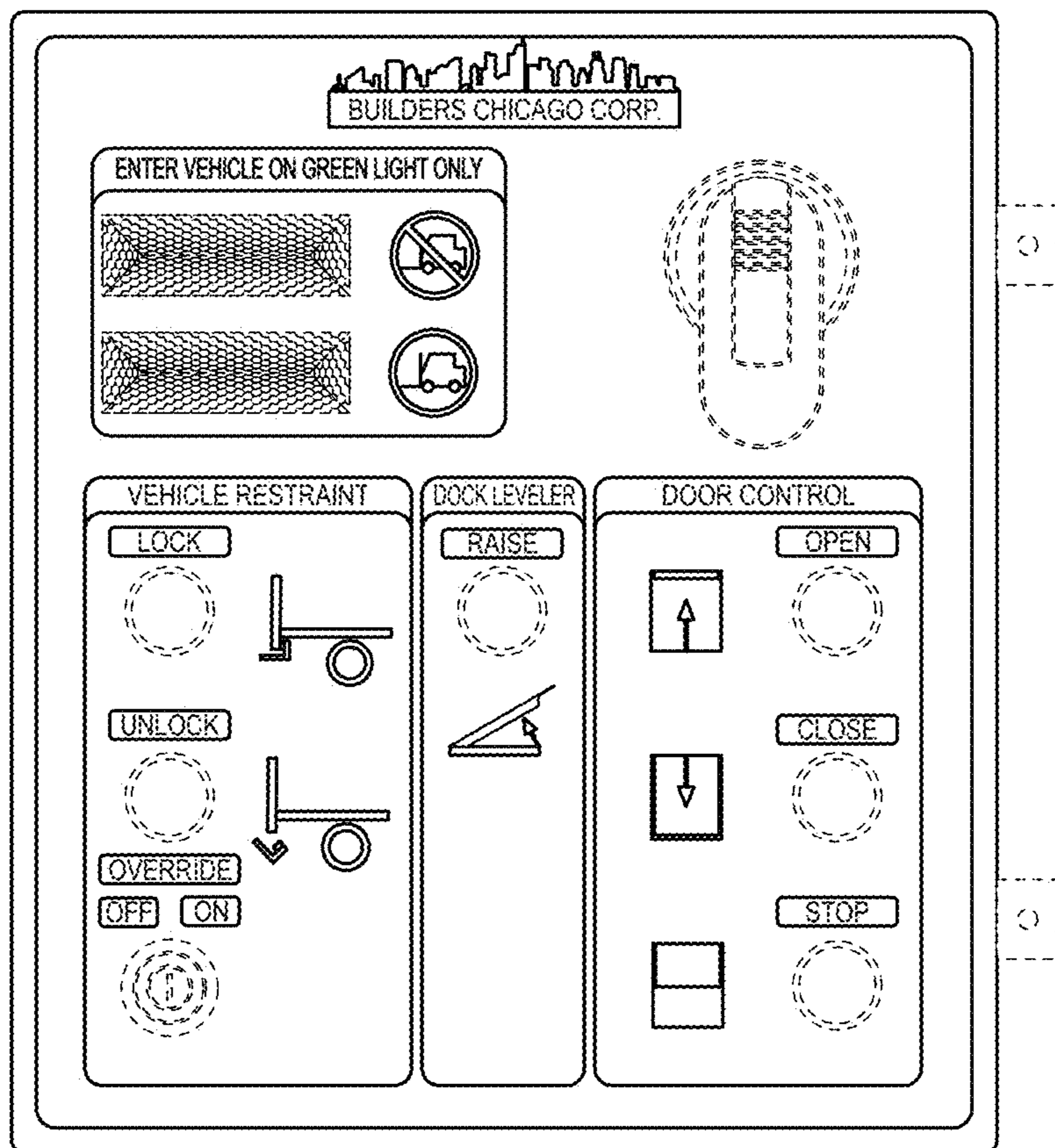
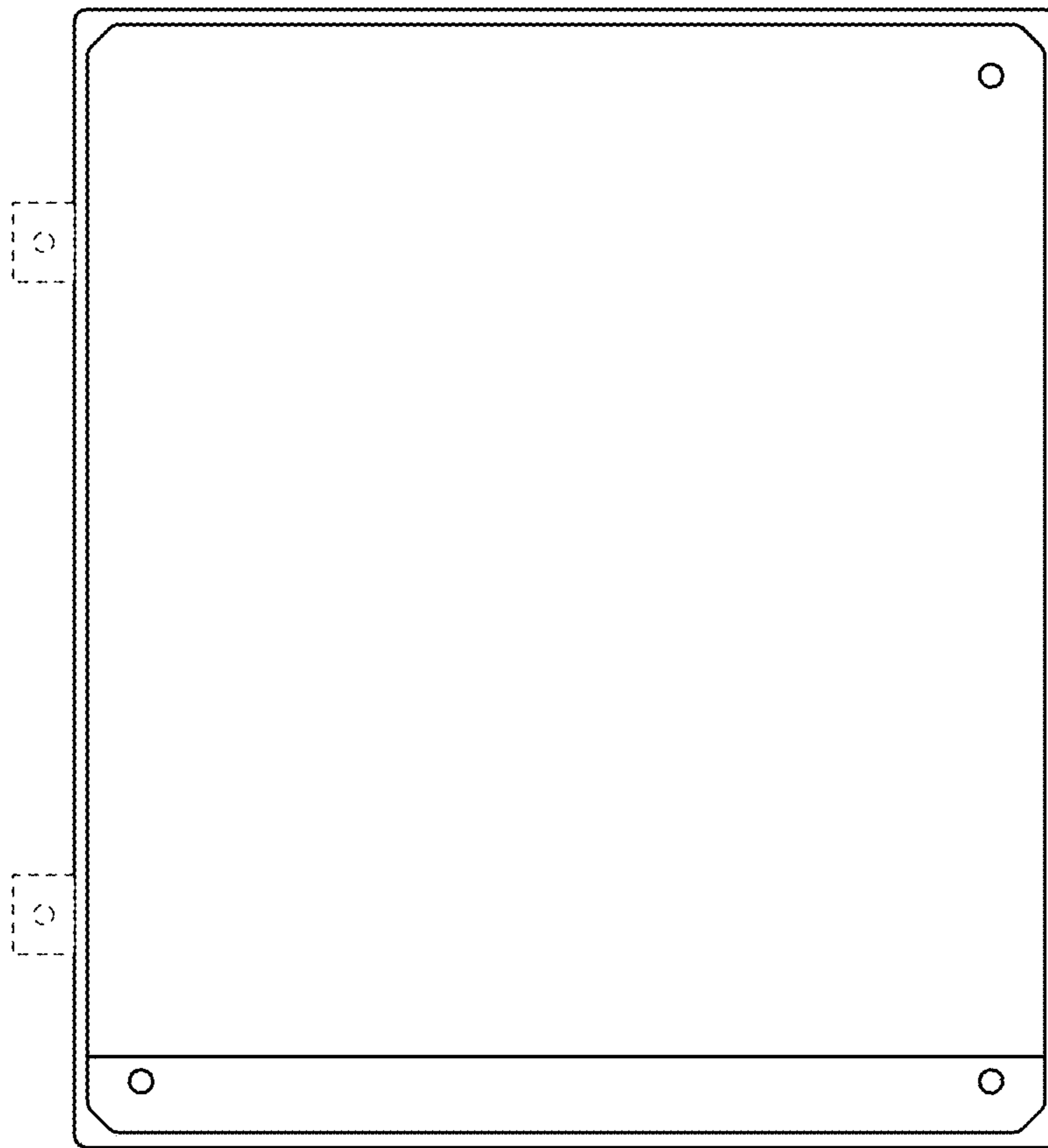


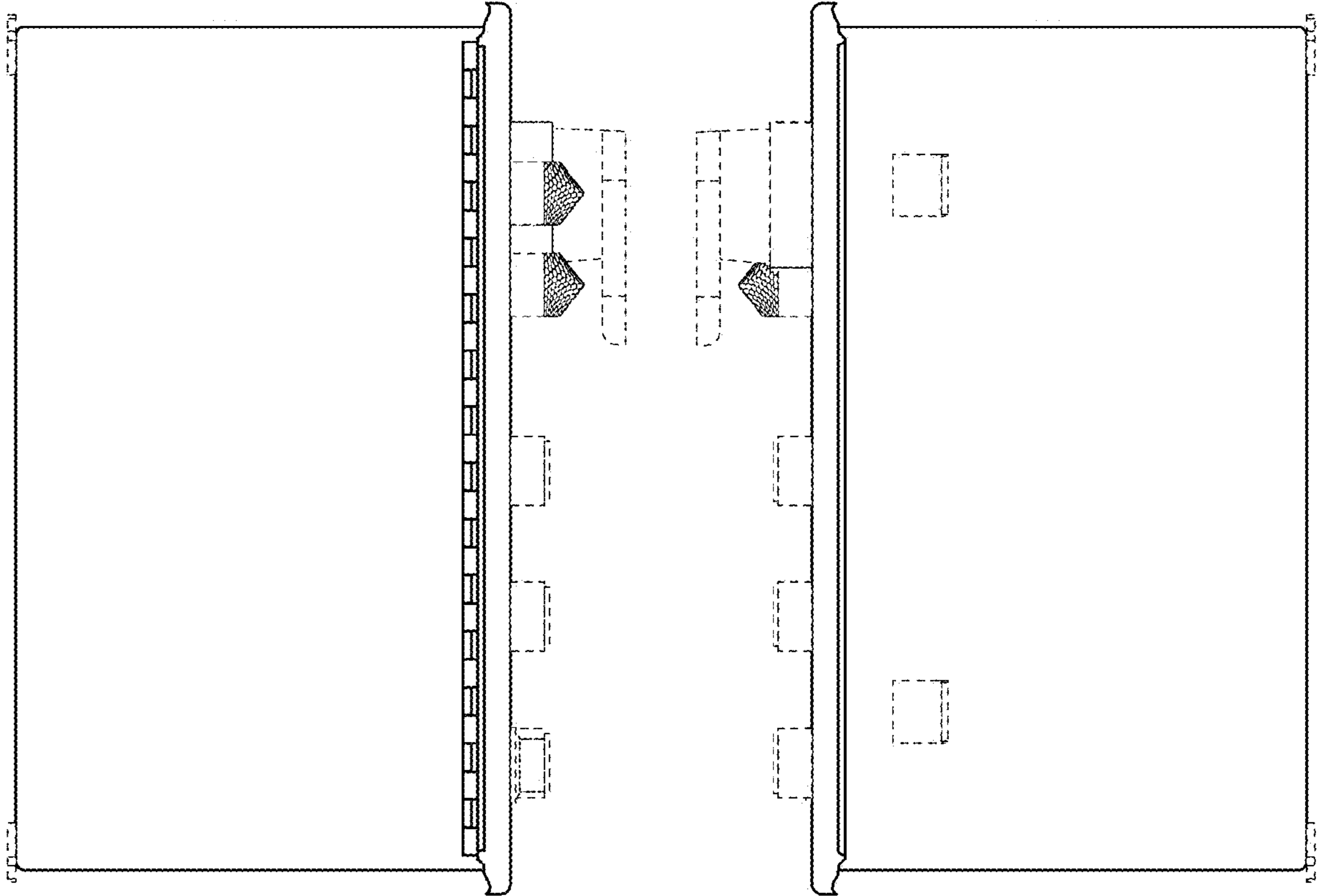
Fig. 1



*Fig. 2*

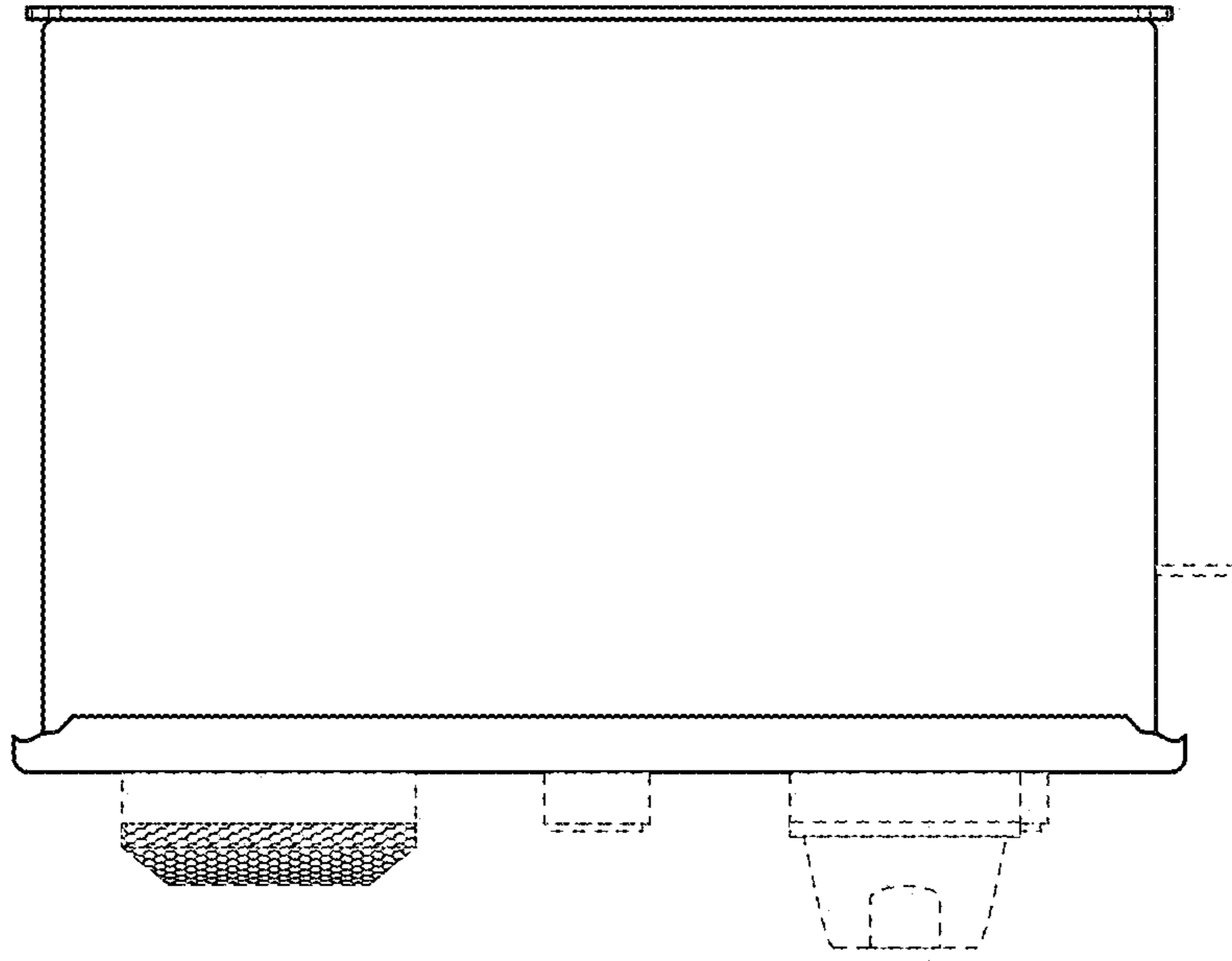


*Fig. 3*

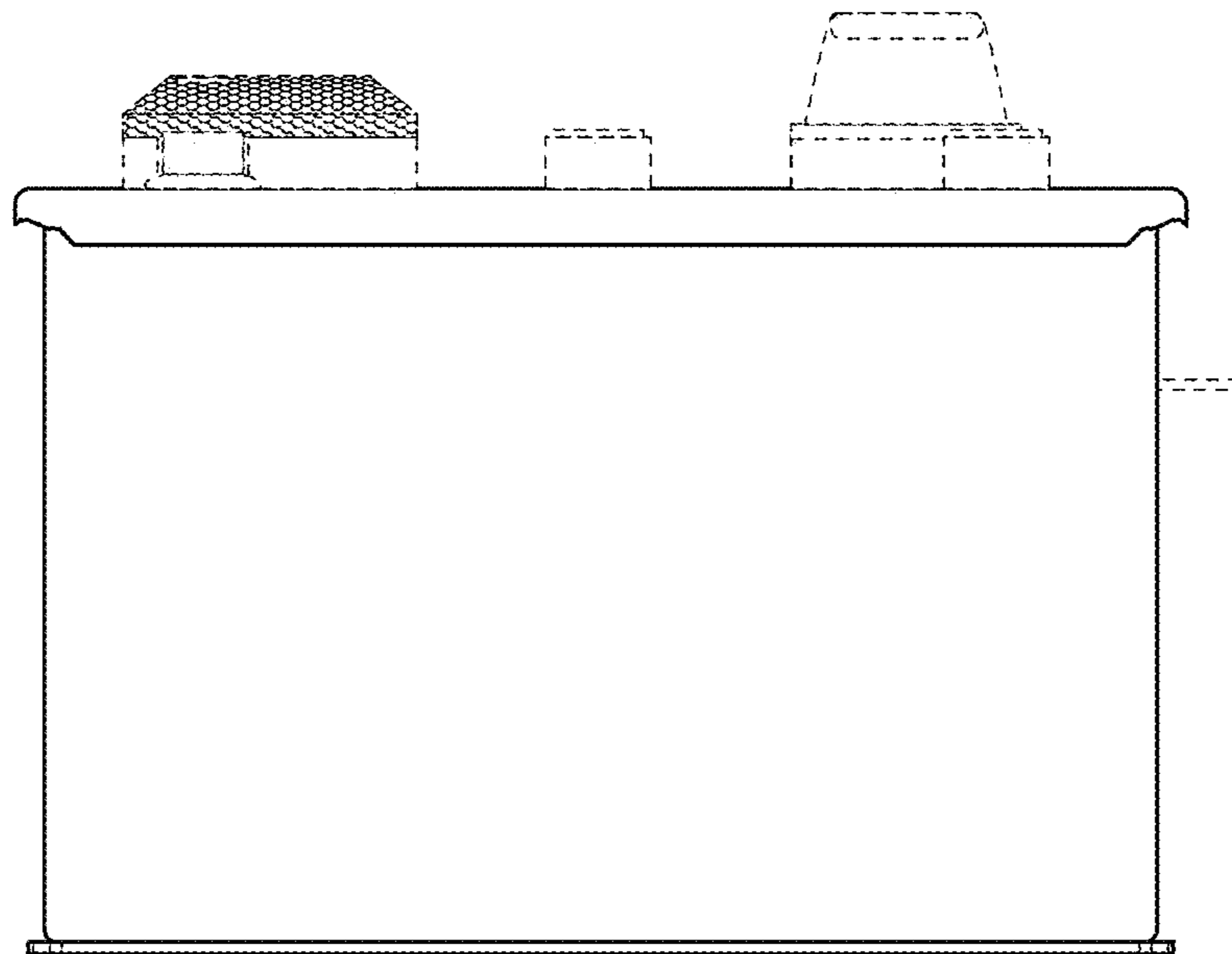


*Fig. 4*

*Fig. 5*



*Fig. 6*



*Fig. 7*