



US00D940668S

(12) **United States Design Patent** (10) **Patent No.:** **US D940,668 S**  
**Dimberg et al.** (45) **Date of Patent:** **\*\* \*Jan. 11, 2022**

(54) **CONTROL DEVICE**

2009/187; H05B 33/0803; H05B 33/0863;  
H05B 39/02; H05B 39/04; H05B 39/085;  
H05B 39/086; H05B 39/088; G08C  
17/02; H03K 17/962

(71) Applicant: **Lutron Technology Company LLC**,  
Coopersburg, PA (US)

See application file for complete search history.

(72) Inventors: **Chris Dimberg**, Easton, PA (US);  
**Susan Hakkarainen**, Doylestown, PA  
(US); **Jason C. Killo**, Emmaus, PA  
(US); **Brad Michael Kreschollek**,  
Bethlehem, PA (US); **Noel Mayo**,  
Philadelphia, PA (US); **Matthew Philip  
McDonald**, Phoenixville, PA (US)

(56) **References Cited**

U.S. PATENT DOCUMENTS

D199,922 S 12/1964 Schlage  
4,499,630 A 2/1985 Harris et al.  
(Continued)

(73) Assignee: **Lutron Technology Company LLC**,  
Coopersburg, PA (US)

OTHER PUBLICATIONS

(\*) Notice: This patent is subject to a terminal dis-  
claimer.

Thermo-Floor ISE 2019-Z—Wave Alliance; before Dec. 31, 2019;  
1pg; <https://www.google.com/search?q=dimmer+before%3A20191231&tbm=isch&ved=2ahUKEwi6jLeU2dnoAhVSad8KHfE4C3QQ2cCegQIABAA&oeq=dimmer+before%3A2019-12-31&gsllcp=CgNpbWcQDDoECAAAQzoCCAA6 BAgAE846BggAEAgQHjoECAAAQGD0GCAAQChAYUM6DB1im3wdgmVYHaABwA>

(\*\*) Term: **15 Years**

(21) Appl. No.: **29/767,034**

(22) Filed: **Jan. 20, 2021**

(Continued)

**Related U.S. Application Data**

(63) Continuation of application No. 29/699,451, filed on  
Jul. 25, 2019, now Pat. No. Des. 908,643, which is a  
continuation of application No. 29/680,802, filed on  
Feb. 20, 2019, now Pat. No. Des. 893,437, which is  
a continuation of application No. 29/633,233, filed on  
Jan. 12, 2018, now Pat. No. Des. 846,508, which is a  
(Continued)

*Primary Examiner* — Selina Sikder

(74) *Attorney, Agent, or Firm* — Saidman DesignLaw  
Group, LLC

(51) **LOC (13) Cl.** ..... **13-03**

(52) **U.S. Cl.**  
USPC ..... **D13/171; D13/168**

(58) **Field of Classification Search**  
USPC ..... D13/162, 168, 171, 173, 174; D14/487,  
D14/489; D10/104.1; D7/393; D8/310,  
D8/312  
CPC ..... H01H 3/12; H01H 3/122; H01H 9/02;  
H01H 9/16; H01H 9/18; H01H 9/181;  
H01H 9/182; H01H 13/023; H01H 13/04;  
H01H 13/06; H01H 13/14; H01H

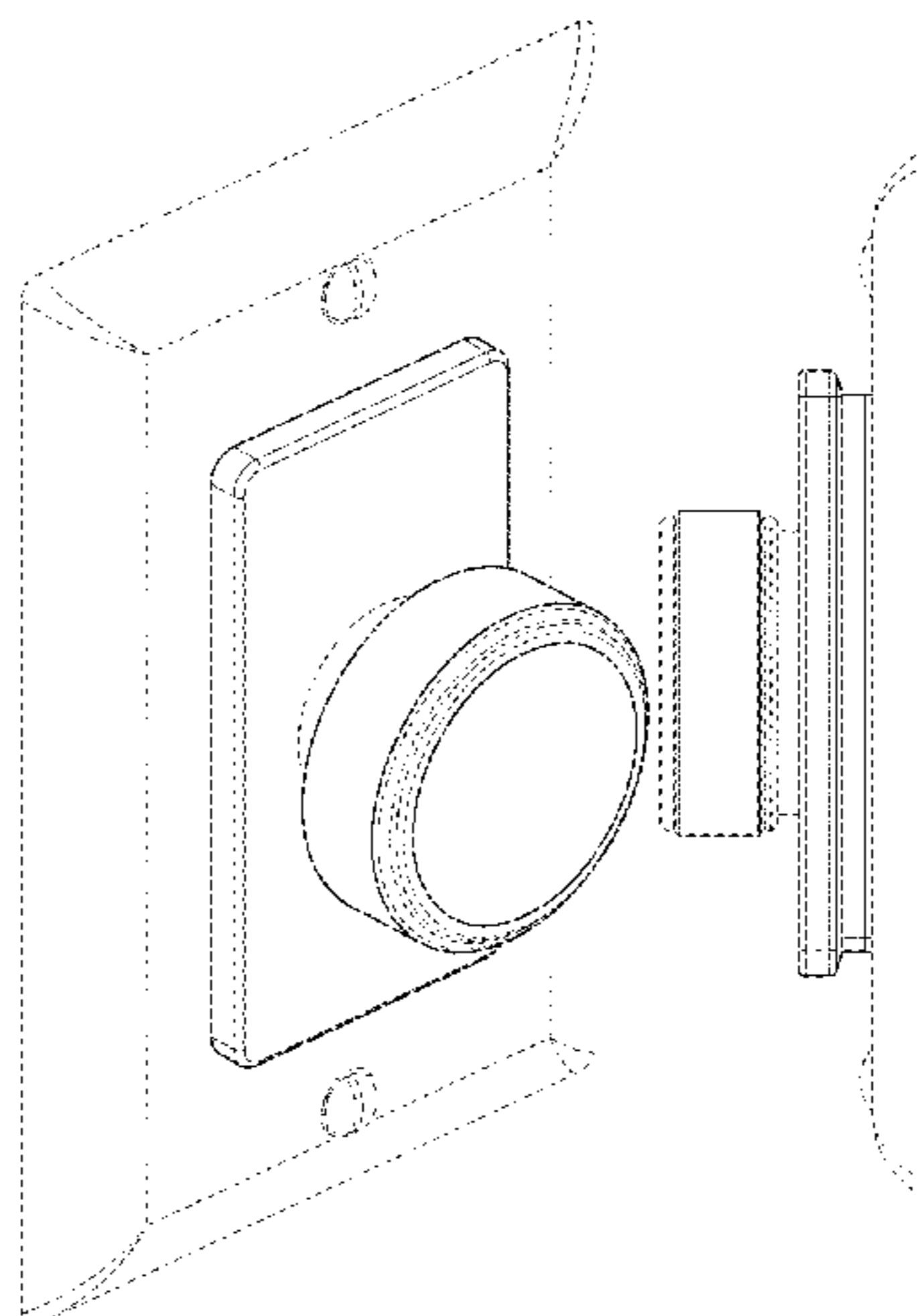
(57) **CLAIM**

The ornamental design for a control device, as shown and  
described.

**DESCRIPTION**

FIG. 1 is a front perspective view of a control device  
showing our new design;  
FIG. 2 is a front view thereof;  
FIG. 3 is a left side view thereof;  
FIG. 4 is a right side view thereof;  
FIG. 5 is a top view thereof; and,  
FIG. 6 is a bottom view thereof.

(Continued)



The dashed broken lines illustrate structure or features which form no part of the claimed design.

**1 Claim, 3 Drawing Sheets**

**Related U.S. Application Data**

continuation of application No. 29/569,814, filed on Jun. 30, 2016, now Pat. No. Des. 814,428.

(56) **References Cited**

U.S. PATENT DOCUMENTS

D305,022	S	12/1989	Hallgren et al.	
D362,841	S	10/1995	Roza	
6,107,583	A	8/2000	Berfield	
D441,346	S	5/2001	Bonn	
D464,630	S	10/2002	Woodworth	
D469,411	S	1/2003	Decosse	
D479,205	S	9/2003	Krajci et al.	
D493,090	S	7/2004	Chen et al.	
D515,516	S	2/2006	Mayo et al.	
D525,517	S	7/2006	Baldwin	
D558,692	S	1/2008	Neveu	
D589,463	S	3/2009	Sykes	
7,820,924	B2	10/2010	Stilley et al.	
7,884,299	B2	2/2011	Glew	
D645,005	S	9/2011	Menheere	
D654,880	S	2/2012	Lam	
D687,328	S	8/2013	Clymer et al.	
D692,841	S	11/2013	Li et al.	
8,786,196	B2	7/2014	Biery et al.	
D713,236	S	9/2014	Park	
D719,007	S	12/2014	Bouthillier	
D722,259	S	2/2015	Conner	
D725,612	S	3/2015	Schlegel et al.	
D748,648	S	2/2016	Kim et al.	
D752,503	S	3/2016	Sethapun et al.	
D755,037	S	5/2016	Czerwinski, Jr. et al.	
9,337,943	B2	5/2016	Mosebrook et al.	
D761,277	S	7/2016	Harvell	
D762,716	S	8/2016	Yang et al.	
D763,308	S	8/2016	Wang et al.	
D766,844	S	9/2016	Turksu et al.	
9,538,619	B2	1/2017	Swatsky et al.	
9,565,742	B2	2/2017	Swatsky et al.	
9,633,557	B2	4/2017	Dimberg et al.	
D786,932	S	5/2017	Kim et al.	
D808,912	S *	1/2018	Dimberg .....	D13/174
D814,428	S *	4/2018	Dimberg .....	D13/174
D824,237	S	7/2018	Gregory et al.	
D827,645	S *	9/2018	Raken .....	D14/388
D837,168	S *	1/2019	Altonen .....	D13/174
D837,169	S *	1/2019	Altonen .....	D13/174
D839,847	S *	2/2019	Dimberg .....	D13/171
D846,508	S *	4/2019	Dimberg .....	D13/171
D868,009	S *	11/2019	Dimberg .....	D13/174
D868,010	S *	11/2019	Bard .....	D13/174
D878,309	S *	3/2020	Altonen .....	D13/171
D878,310	S *	3/2020	Dimberg .....	D13/171
D879,055	S *	3/2020	Altonen .....	D13/171

D892,751	S *	8/2020	Altonen .....	D13/171
2007/0057922	A1	3/2007	Schultz et al.	
2007/0102275	A1	5/2007	Genz et al.	
2007/0193867	A1	8/2007	Lorenzo Riera et al.	
2010/0175971	A1	7/2010	Kim et al.	
2012/0240472	A1	9/2012	Bouthillier	
2013/0328500	A1	12/2013	Toda	
2014/0042002	A1	2/2014	Chu	
2014/0117871	A1	5/2014	Swatsky et al.	
2015/0371534	A1	12/2015	Dimberg et al.	
2017/0278383	A1	9/2017	Dimberg et al.	
2017/0280533	A1	9/2017	Dimberg et al.	
2017/0316901	A1	11/2017	Sawada et al.	
2017/0352506	A1	12/2017	Dimberg	
2017/0354012	A1	12/2017	Bard et al.	
2017/0354021	A1	12/2017	Dimberg et al.	
2017/0354022	A1	12/2017	Dimberg et al.	
2017/0354023	A1	12/2017	Dimberg et al.	
2018/0005742	A1	1/2018	Newman, Jr. et al.	
2018/0116039	A1	4/2018	Harte et al.	
2018/0330902	A1	11/2018	Takada et al.	

OTHER PUBLICATIONS

ZigBee Dimmer Switch; before Dec. 31, 2019; 1 pg.; [https://www.google.com/search?q=dimmer+before%3A2019-12-31&tbm=isch&ved=2ah UKewi6jLeU2dnoAhVSad8KHfE4C3QQ2-cCegQIABAA&oq=dimmer+before%3A2019-12-31 &gs\\_lcp=Cg NpbWcQD Do ECAAQZoCCAA6 BAgAE B46BggAEAgQHjoECAAQG DoGCA AQChAYUM6DB1im3wdgmVYHaABwAHgAgAE7iAGhBplBAj E4mAEA](https://www.google.com/search?q=dimmer+before%3A2019-12-31&tbm=isch&ved=2ah UKewi6jLeU2dnoAhVSad8KHfE4C3QQ2-cCegQIABAA&oq=dimmer+before%3A2019-12-31 &gs_lcp=Cg NpbWcQD Do ECAAQZoCCAA6 BAgAE B46BggAEAgQHjoECAAQG DoGCA AQChAYUM6DB1im3wdgmVYHaABwAHgAgAE7iAGhBplBAj E4mAEA).

Legrand® / Pass & Seymour®, P&S Dimmers—DR Series Brochure, 2010, 2 pages.

Legrand®, Dimmers Brochure, 2015, 18 pages.

Lumenpulse™, Lumentone™ Specification Sheet, 2013, 4 pages.

Lumenpulse™, Lumentone™ Installation Instructions, 2013, 1 page.

Lumenpulse™, Lumentone™ Quick Reference Guide, 2015, 3 pages.

Electronic Theatre Controls, Inc., Echo Inspire® Station Programming Guide, Software Version 2.0.1, Feb. 2015, 44 pages.

Electronic Theatre Controls, Inc., Echo Inspire® Control Stations, <URL:<https://www.etconnect.com/Products/Architectural-Systems/Echo/Control-Stations/Inspire-Control-Stations/Features.aspx>>, available from Internet at least as early as Jul. 15, 2014 [site visited May 9, 2018].

Electronic Theatre Controls, Inc., Echo Inspire® Control Station: 4-Button with Fader Knob, photograph taken on May 8, 2018.

Lumenpulse-Lumentone brochure, 2013, 6 pages.

Echo Inspire Control Stations, 2018, 7 pages.

SM207 light switch mount; before Jul. 12, 2019; 1 pg.; [https://www.google.com/search?q=remote+dimmer+switch+with+rectangular+bezel+before%3A2019-07-25&tbm=isch&ved=2ah U KEwj P5eD\\_xtvoAh UWad8 KHVLa B-AQ2-cCegQIABAA&oq=remote+dimmer+switch+with+rectangular+bezel +before%3A2019-07-25 &gs\\_lcp=Cg N pbWcQD FCs 7 AtYtOYMY](https://www.google.com/search?q=remote+dimmer+switch+with+rectangular+bezel+before%3A2019-07-25&tbm=isch&ved=2ah U KEwj P5eD_xtvoAh UWad8 KHVLa B-AQ2-cCegQIABAA&oq=remote+dimmer+switch+with+rectangular+bezel +before%3A2019-07-25 &gs_lcp=Cg N pbWcQD FCs 7 AtYtOYMY).

U.S. Appl. No. 62/345,449, filed Jun. 3, 2016 (unpublished).

U.S. Appl. No. 62/345,222, filed Jun. 3, 2016 (unpublished).

U.S. Appl. No. 29/597,335, filed Mar. 16, 2017 (unpublished).

U.S. Appl. No. 29/709,557, filed Oct. 15, 2019 (unpublished).

\* cited by examiner

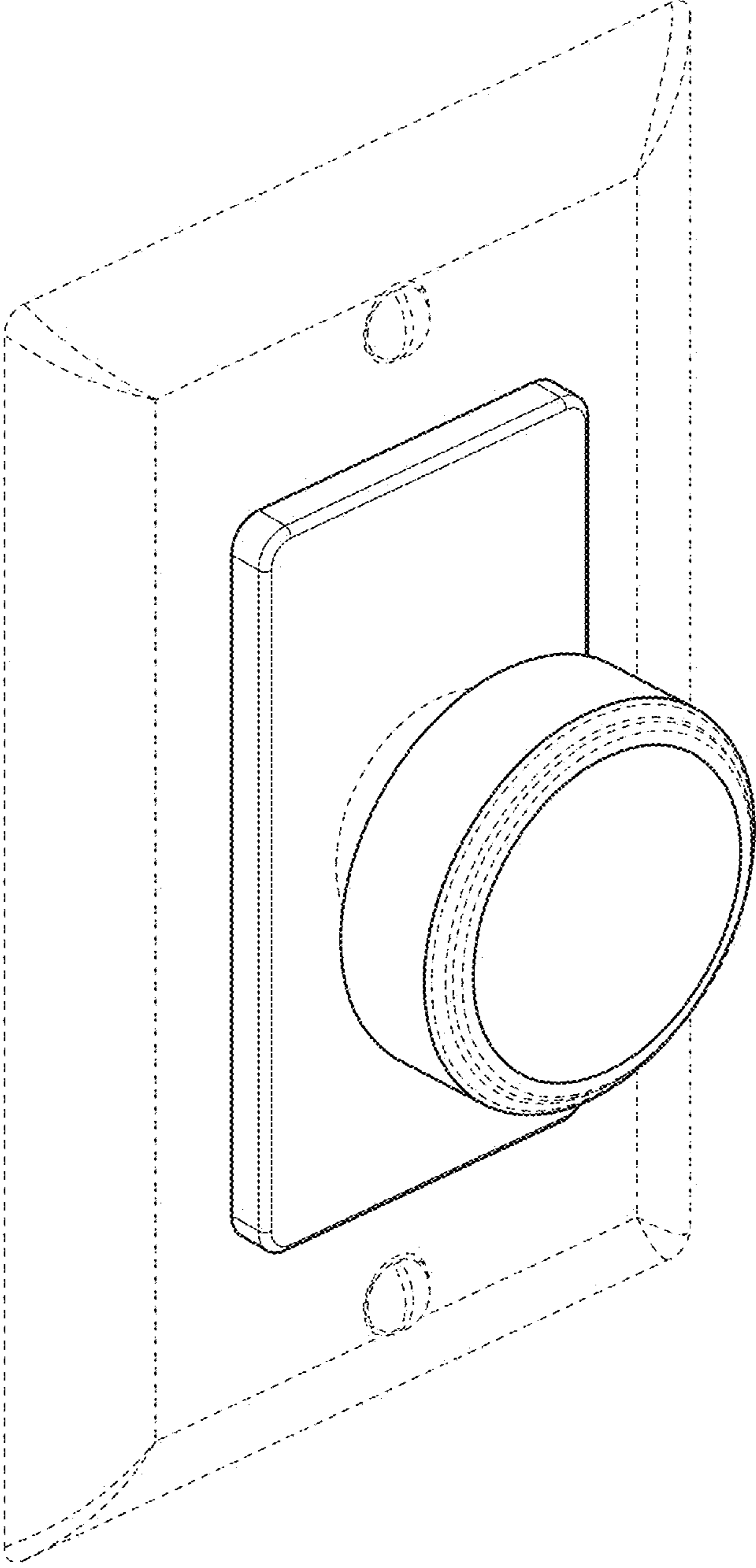


FIG. 1

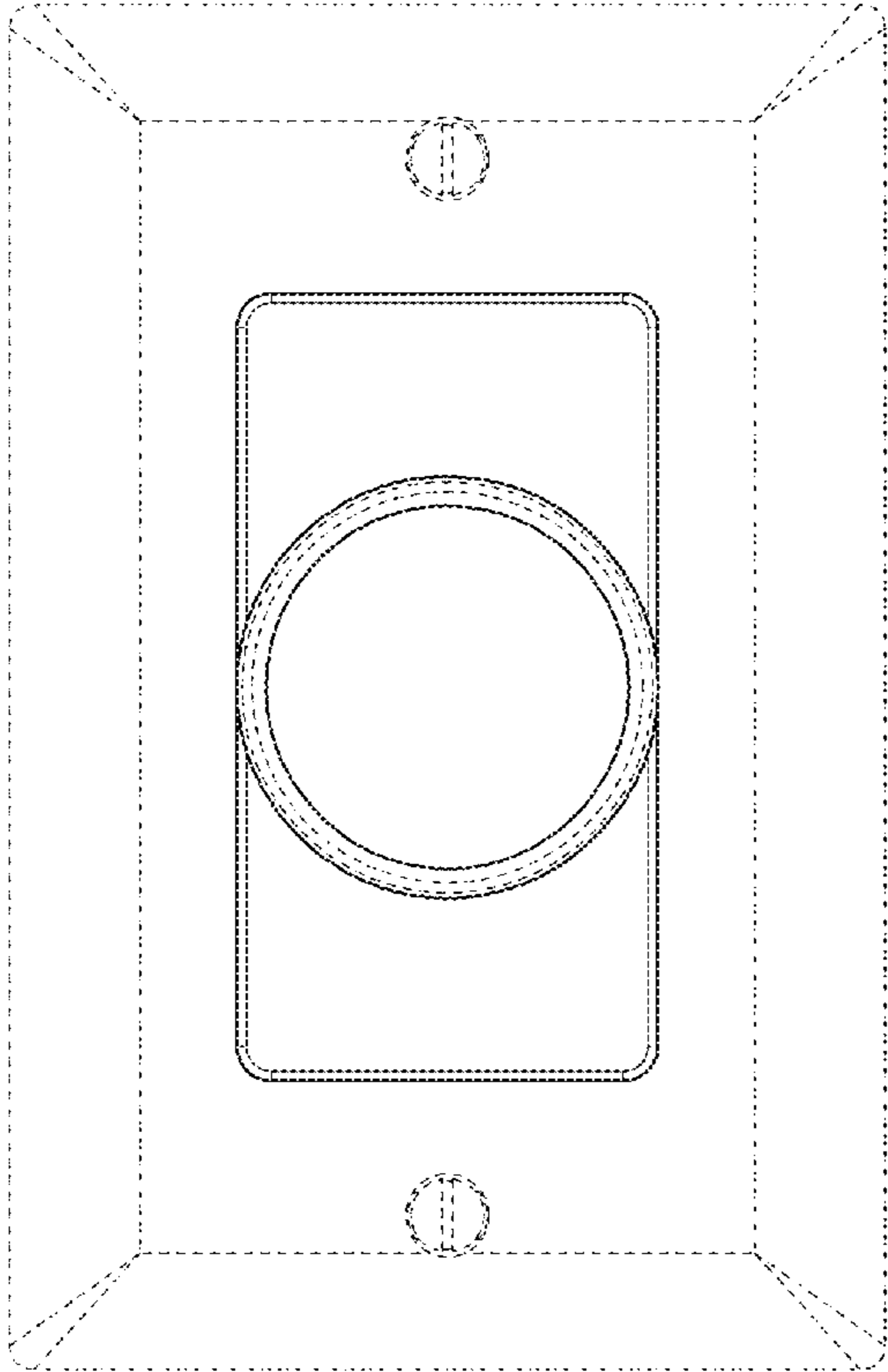


FIG. 2

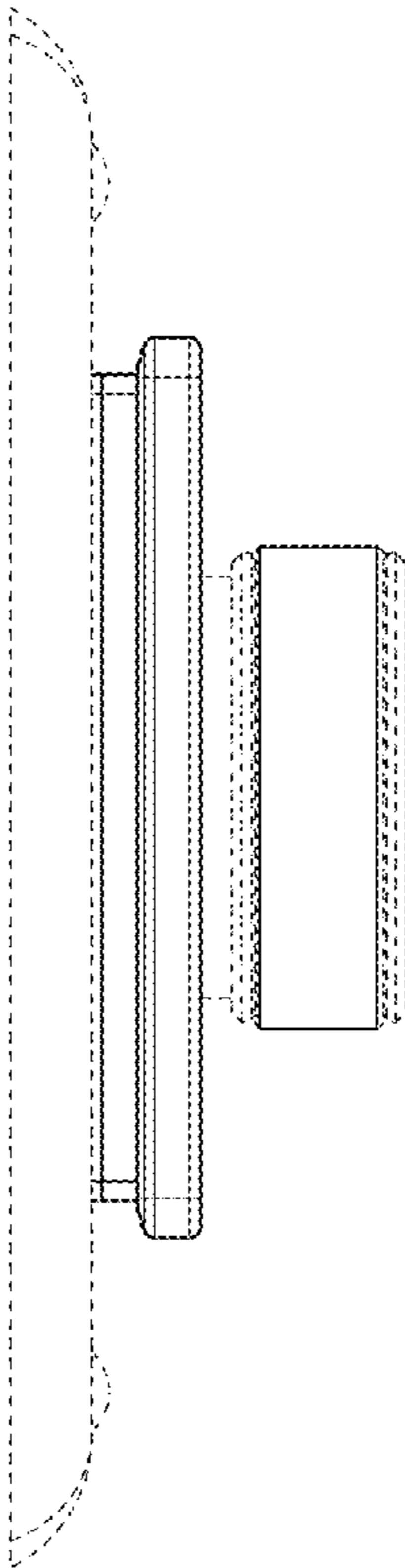


FIG. 3

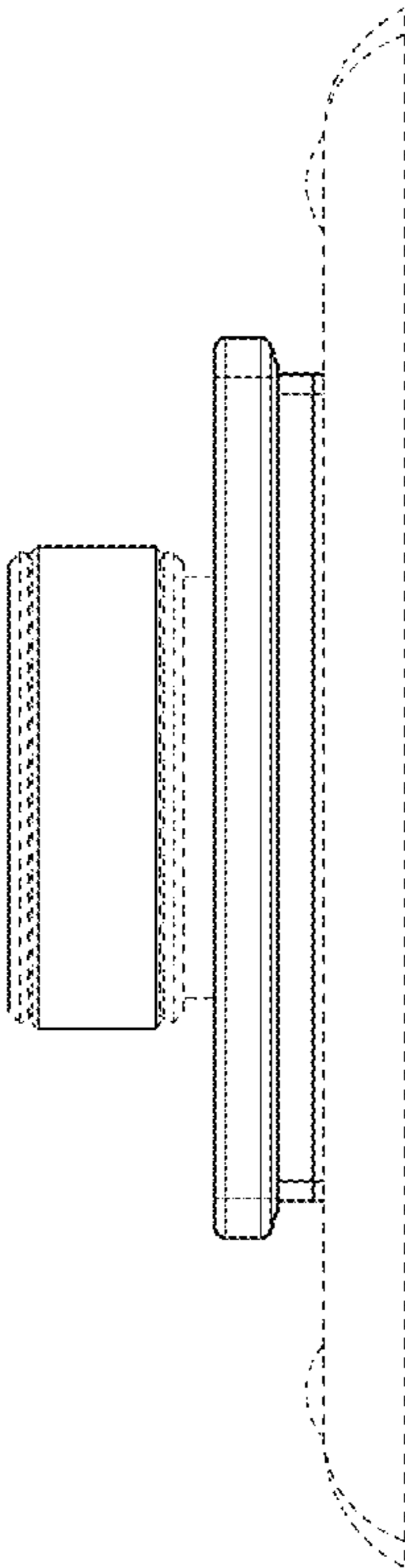


FIG. 4

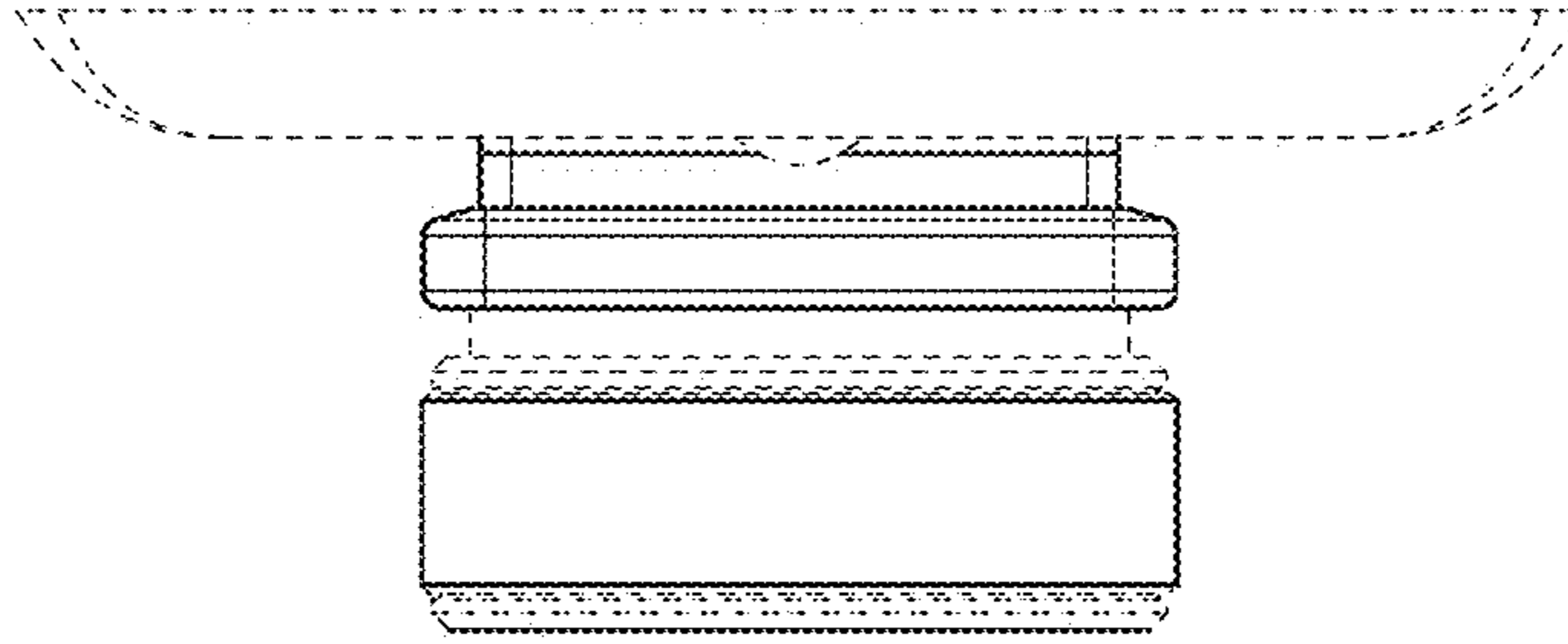


FIG. 5

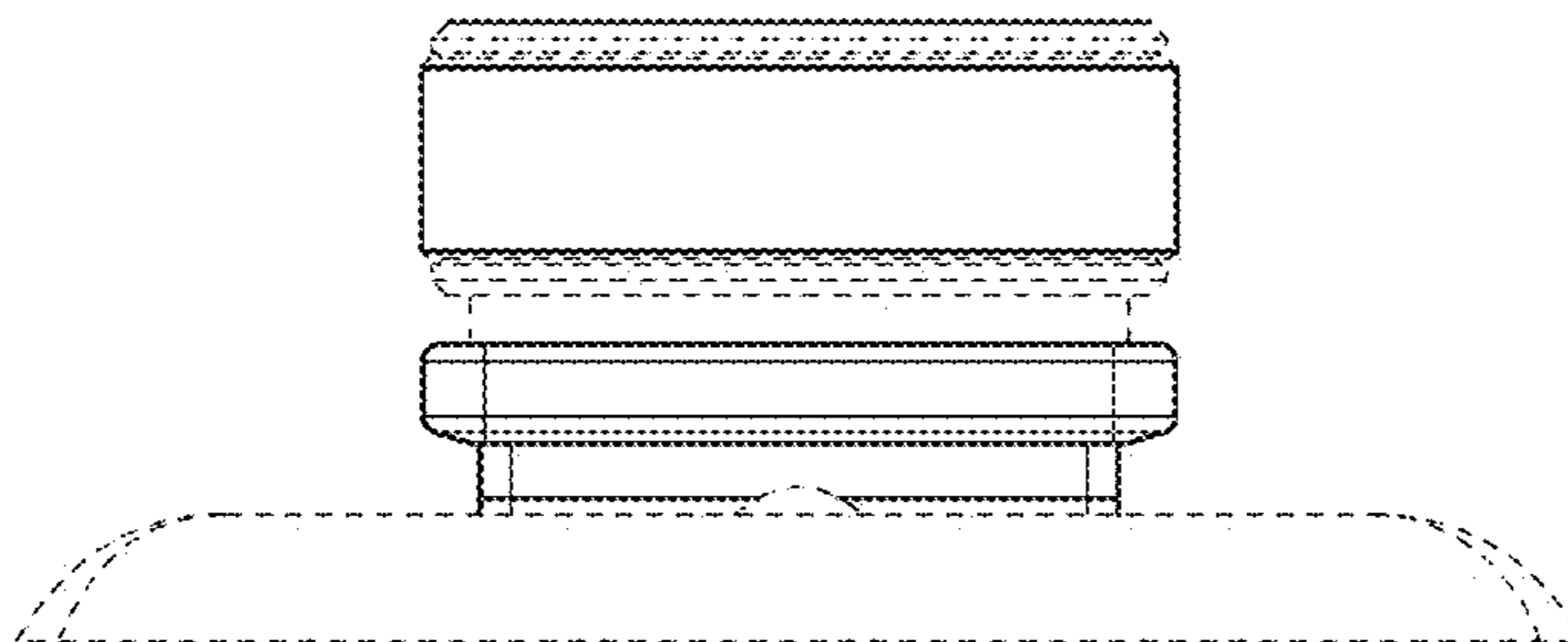


FIG. 6

UNITED STATES PATENT AND TRADEMARK OFFICE  
**CERTIFICATE OF CORRECTION**

PATENT NO. : D940,668 S  
APPLICATION NO. : 29/767034  
DATED : January 11, 2022  
INVENTOR(S) : Chris Dimberg et al.

Page 1 of 2

It is certified that error appears in the above-identified patent and that said Letters Patent is hereby corrected as shown below:

On the Title Page

(56) Referenced Cited  
OTHER PUBLICATIONS

Column 2, Lines 1-7:

Thermo-Floor ISE 2019-Z--Wave Alliance; before 12-31-2019; 1pg;  
[https://www.google.com/search?q=dimmer+before%3A20191231&tbm=isch&ved=2ahUKEwi6jLeU2dnoAhVSad8KHfE4C3QQ2cCegQIABAA&oq=dimmer+before%3A2019-12-31&gs\\_lcp=CgNpbWcQD DoECAAQQzoCCAA6 BAgAE846BggAEAgQHjoECAAQGDogCAAQChAYUM6DB1im3wdgmv YHaABwA](https://www.google.com/search?q=dimmer+before%3A20191231&tbm=isch&ved=2ahUKEwi6jLeU2dnoAhVSad8KHfE4C3QQ2cCegQIABAA&oq=dimmer+before%3A2019-12-31&gs_lcp=CgNpbWcQD DoECAAQQzoCCAA6 BAgAE846BggAEAgQHjoECAAQGDogCAAQChAYUM6DB1im3wdgmv YHaABwA)

Should read:

Thermo-Floor ISE 2019-Z--Wave Alliance; before 12-31-2019; 1pg;  
[https://www.google.com/search?q=dimmer+before%3A20191231&tbm=isch&ved=2ahUKEwi6jLeU2dnoAhVSad8KHfE4C3QQ2cCegQIABAA&oq=dimmer+before%3A2019-12-31&gs\\_lcp=CgNpbWcQD DoECAAQQzoCCAA6 BAgAE846BggAEAgQHjoECAAQGDogCAAQChAYUM6DB1im3wdgmv YHaABwA](https://www.google.com/search?q=dimmer+before%3A20191231&tbm=isch&ved=2ahUKEwi6jLeU2dnoAhVSad8KHfE4C3QQ2cCegQIABAA&oq=dimmer+before%3A2019-12-31&gs_lcp=CgNpbWcQD DoECAAQQzoCCAA6 BAgAE846BggAEAgQHjoECAAQGDogCAAQChAYUM6DB1im3wdgmv YHaABwA)

Page 2, Column 2, Lines 1-7:

ZigBee Dimmer Switch; before 12-31-2019; 1 pg. ;  
[https://www.google.com/search?q=dimmer+before%3A2019-12-31&tbm=isch&ved=2ahUKEwi6jLeU2dnoAhVSad8KHfE4C3QQ2-cCegQIABAA&oq=dimmer+before%3A2019-12-31 &gs\\_lcp=CgNpbWcQD Do ECAAQQzoCCAA6 BAgAE B46BggAEAgQHjoECAAQGDogCAAQChAYUM6DB1 im3wdgmvYHaABwAHgAgAE7iAGhBplBAjE4mAEA](https://www.google.com/search?q=dimmer+before%3A2019-12-31&tbm=isch&ved=2ahUKEwi6jLeU2dnoAhVSad8KHfE4C3QQ2-cCegQIABAA&oq=dimmer+before%3A2019-12-31 &gs_lcp=CgNpbWcQD Do ECAAQQzoCCAA6 BAgAE B46BggAEAgQHjoECAAQGDogCAAQChAYUM6DB1 im3wdgmvYHaABwAHgAgAE7iAGhBplBAjE4mAEA)

Should read:

ZigBee Dimmer Switch; before 12-31-2019; 1 pg. ;  
[https://www.google.com/search?q=dimmer+before%3A2019-12-31&tbm=isch&ved=2ahUKEwi6jLeU2dnoAhVSad8KHfE4C3QQ2-cCegQIABAA&oq=dimmer+before%3A2019-12-31 &gs\\_lcp=Cg](https://www.google.com/search?q=dimmer+before%3A2019-12-31&tbm=isch&ved=2ahUKEwi6jLeU2dnoAhVSad8KHfE4C3QQ2-cCegQIABAA&oq=dimmer+before%3A2019-12-31 &gs_lcp=Cg)

Signed and Sealed this  
Eighth Day of March, 2022



Drew Hirshfeld  
*Performing the Functions and Duties of the  
Under Secretary of Commerce for Intellectual Property and  
Director of the United States Patent and Trademark Office*

N pbWcQD Do ECAAQQzoCCAA6 BAgAE B46BggAEAgQHjoECAAQG  
DoGCAAQChAYUM6DB1 im3wdgmvYHaABwAHgAgAE7iAGhBplBAjE4mAEA

Page 2, Column 2, Lines 22-23:

ELECTRONIC THEATRE CONTROLS. INC., Echo Inspire® Control Station: 4-Button with Fader Knob, photograph taken on May 8, 2018.

Should read:

ELECTRONIC THEATRE CONTROLS, INC., Echo Inspire® Control Station: 4-Button with Fader Knob, photograph taken on May 8, 2018.

Page 2, Column 2, Lines 26-31:

SM207 light switch mount; before 7-12-19; 1 pg;

[https://www.google.com/search?q=remote+dimmer+switch+with+rectangular+bezel+before%3A2019-07-25&tbm=isch&ved=2ahUKEwjP5eD\\_xtvoAhUWad8KHVLaB-AQ2-cCegQIABAA&oq=remote+dimmer+switch+with+rectangular+bezel+before%3A2019-07-25&gs\\_lcp=CgNpbWcQD FCs 7 AtYtOYMY](https://www.google.com/search?q=remote+dimmer+switch+with+rectangular+bezel+before%3A2019-07-25&tbm=isch&ved=2ahUKEwjP5eD_xtvoAhUWad8KHVLaB-AQ2-cCegQIABAA&oq=remote+dimmer+switch+with+rectangular+bezel+before%3A2019-07-25&gs_lcp=CgNpbWcQD FCs 7 AtYtOYMY)

Should read:

SM207 light switch mount; before 7-12-19; 1 pg;

[https://www.google.com/search?q=remote+dimmer+switch+with+rectangular+bezel+before%3A2019-07-25&tbm=isch&ved=2ahUKEwjP5eD\\_xtvoAhUWad8KHVLaB-AQ2-cCegQIABAA&oq=remote+dimmer+switch+with+rectangular+bezel+before%3A2019-07-25&gs\\_lcp=CgNpbWcQD FCs 7 AtYtOYMY](https://www.google.com/search?q=remote+dimmer+switch+with+rectangular+bezel+before%3A2019-07-25&tbm=isch&ved=2ahUKEwjP5eD_xtvoAhUWad8KHVLaB-AQ2-cCegQIABAA&oq=remote+dimmer+switch+with+rectangular+bezel+before%3A2019-07-25&gs_lcp=CgNpbWcQD FCs 7 AtYtOYMY)