



US00D940664S

(12) **United States Design Patent**
Hess

(10) **Patent No.:** **US D940,664 S**
(45) **Date of Patent:** **** Jan. 11, 2022**

(54) **ELECTRICALLY INSULATING CONNECTOR PART TO BE MOUNTED ON A PRINTED CIRCUIT BOARD**

(71) Applicant: **Harting AG**, Biel (CH)

(72) Inventor: **Thomas Hess**, Biel (CH)

(73) Assignee: **Harting AG**, Biel (CH)

(**) Term: **15 Years**

(21) Appl. No.: **29/743,322**

(22) Filed: **Jul. 21, 2020**

(30) **Foreign Application Priority Data**

Jan. 23, 2020 (DE) 402020100064.7

(51) **LOC (13) Cl.** **13-03**

(52) **U.S. Cl.**
USPC **D13/154**

(58) **Field of Classification Search**
USPC D13/119, 123, 133, 154, 182, 199
CPC H01R 4/2429; H01R 13/422; H01R 12/89;
H01R 12/721; H01R 12/718; H01Q
21/061
See application file for complete search history.

(56) **References Cited**

U.S. PATENT DOCUMENTS

- 3,555,488 A * 1/1971 McIver H01R 12/89
439/260
- 3,555,493 A * 1/1971 Baumanis H01R 12/721
439/636
- 3,866,997 A * 2/1975 Kreutter H01R 12/721
439/637

- 4,332,430 A * 6/1982 Clark H01R 12/718
439/816
- 5,091,826 A * 2/1992 Arnett H01R 4/2429
174/261
- 5,221,210 A * 6/1993 Bormuth H01R 13/422
439/79
- D516,521 S * 3/2006 Yao D13/154
- D605,603 S * 12/2009 Mo D13/154
- D606,024 S * 12/2009 Chiang D13/154
- D606,499 S * 12/2009 Mo D13/154
- 7,690,924 B1 * 4/2010 Paquette H01Q 21/061
439/67
- D617,285 S * 6/2010 Urano D13/154
- D632,260 S * 2/2011 Smith D13/154

* cited by examiner

Primary Examiner — Shawn T Gingrich
Assistant Examiner — Bryan Nolan Melvin
(74) *Attorney, Agent, or Firm* — Richard M. Goldberg

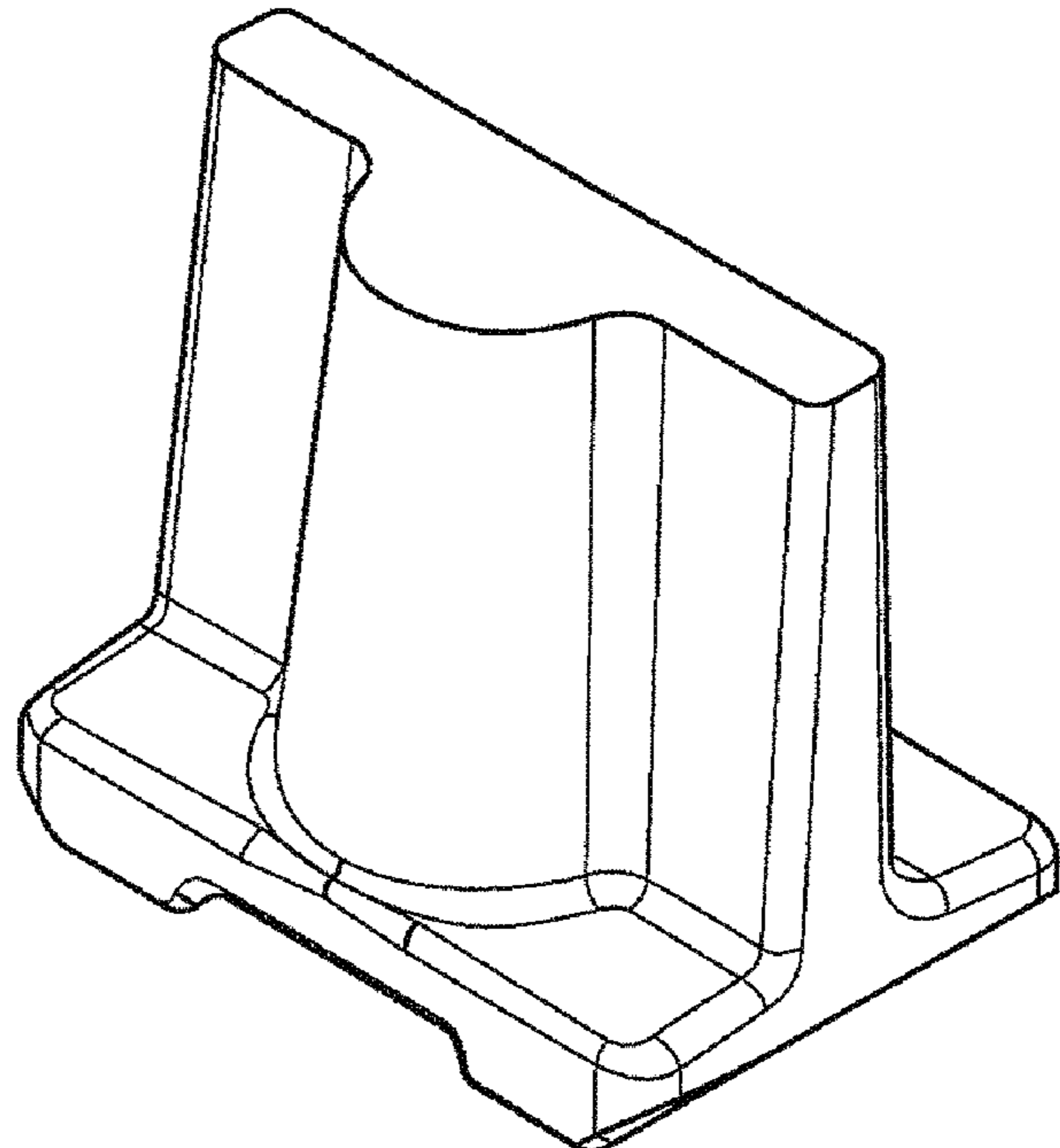
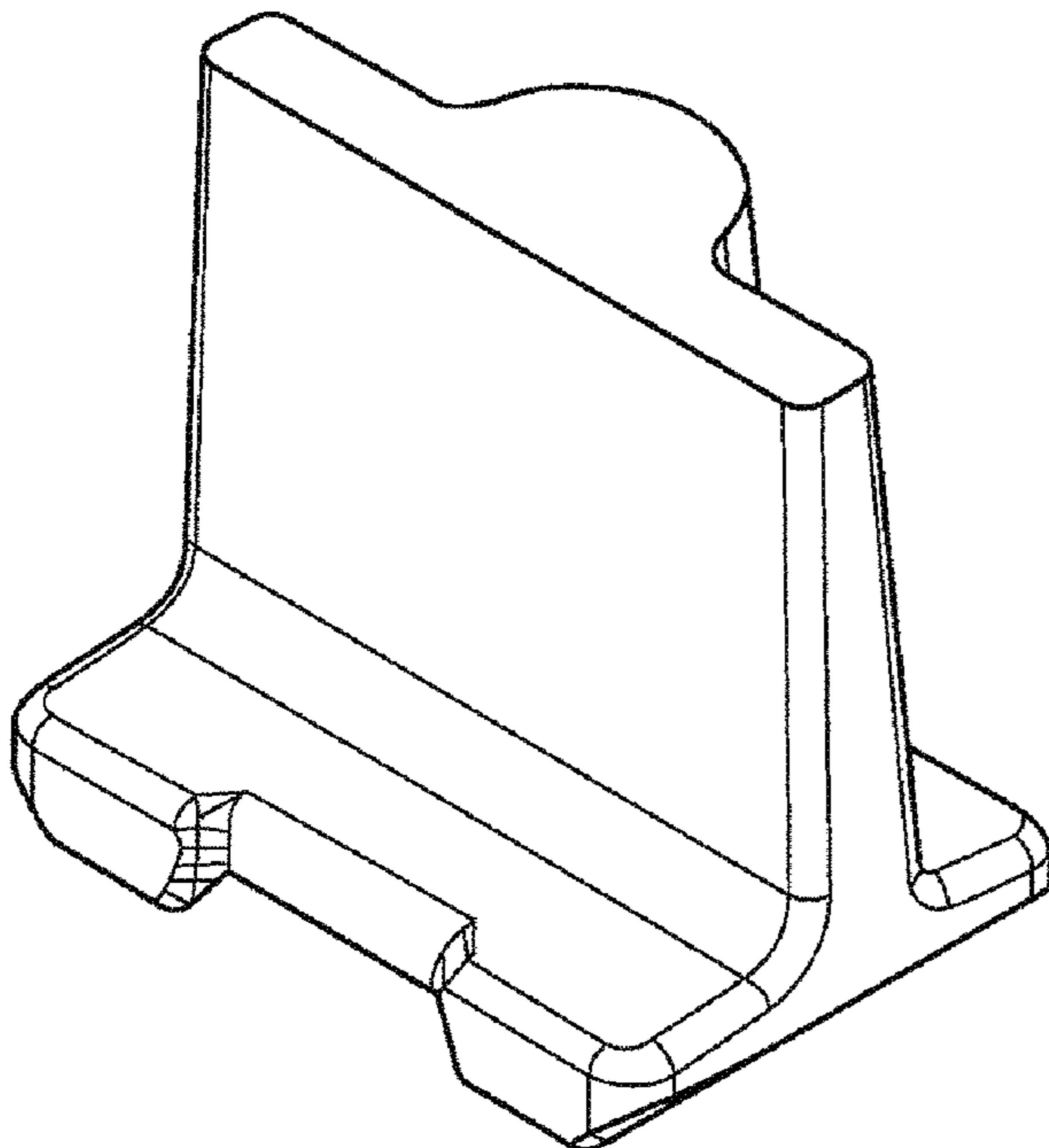
(57) **CLAIM**

The ornamental design for an electrically insulating connector part to be mounted on a printed circuit board, as shown.

DESCRIPTION

FIG. 1 is a front perspective view of the electrically insulating connector part to be mounted on a printed circuit board according to the present invention; FIG. 2 is a rear perspective view thereof; FIG. 3 is a left side elevational view thereof; FIG. 4 is a right side elevational view thereof; FIG. 5 is a front elevational view thereof; FIG. 6 is a rear elevational view thereof; FIG. 7 is a top plan view thereof; and, FIG. 8 is a bottom plan view thereof.

1 Claim, 8 Drawing Sheets



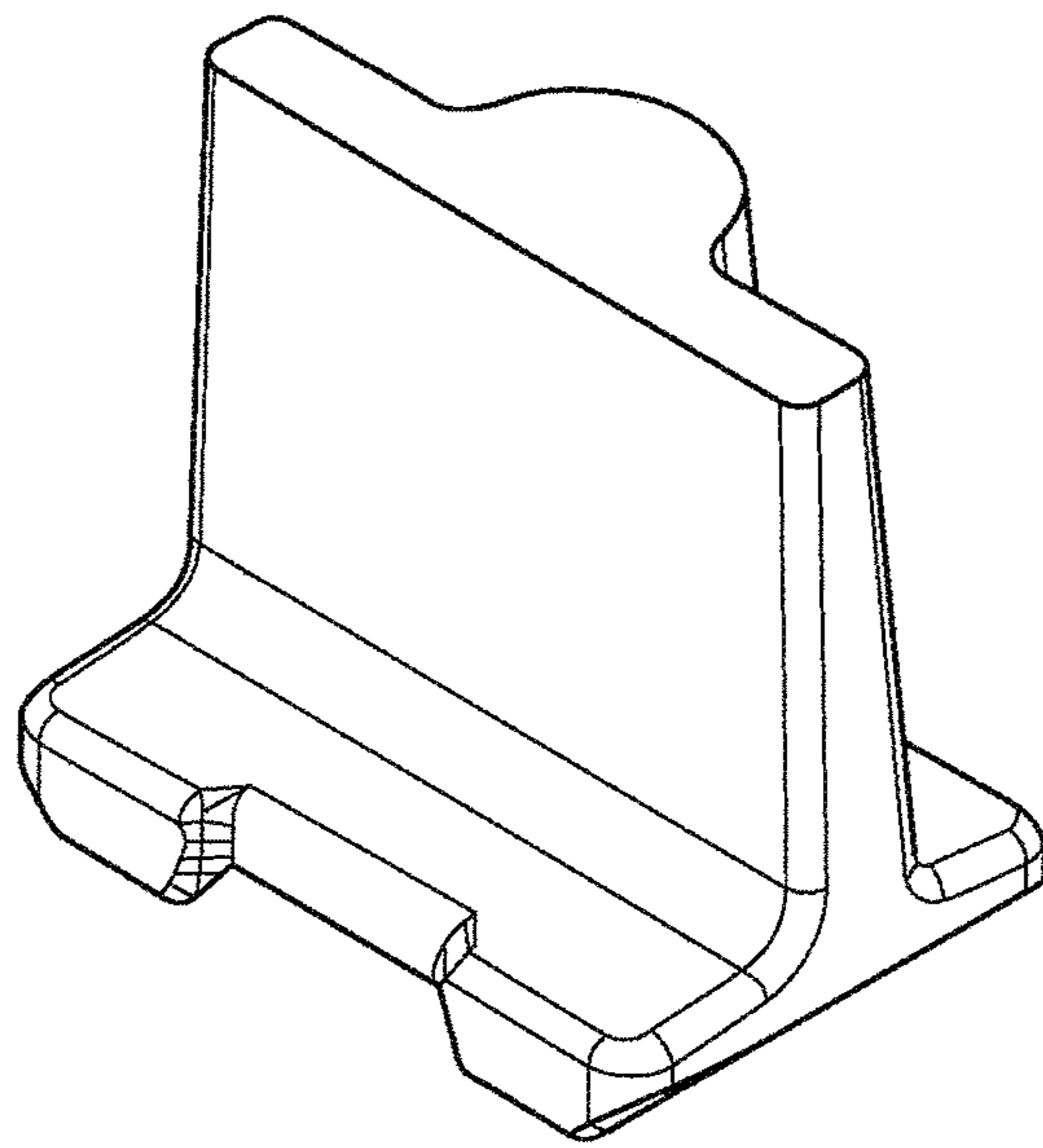


FIG. 1

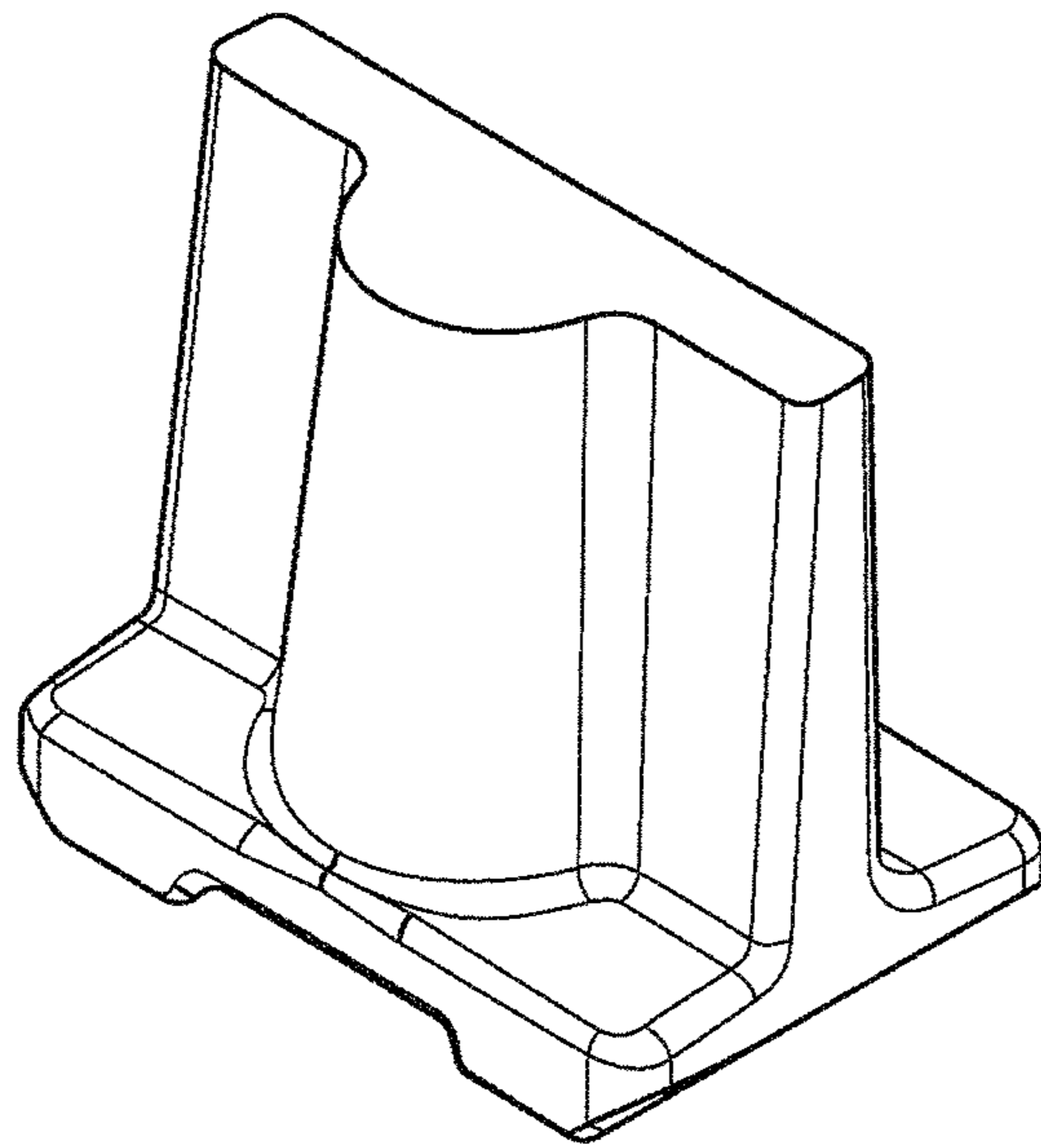


FIG. 2

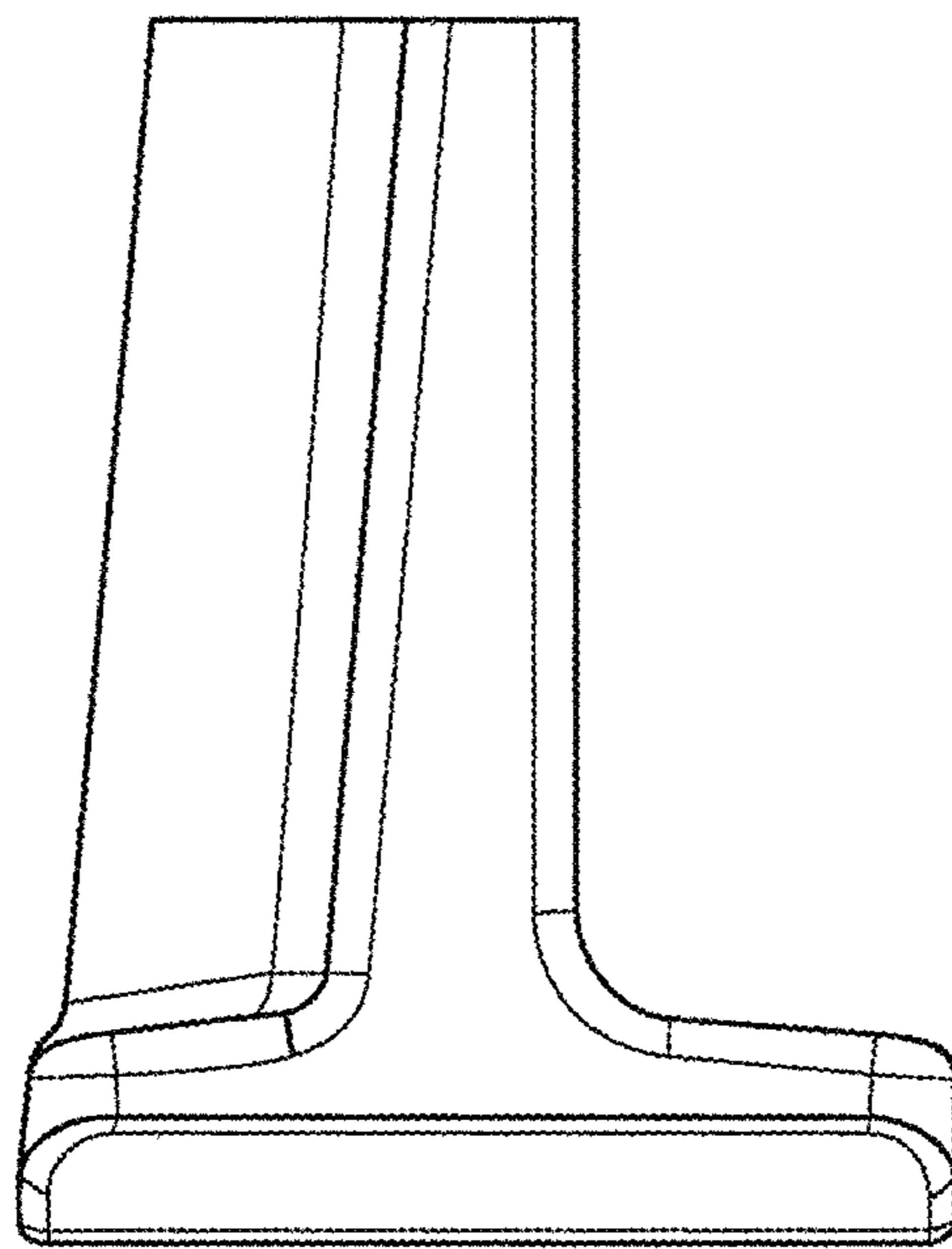


FIG. 3

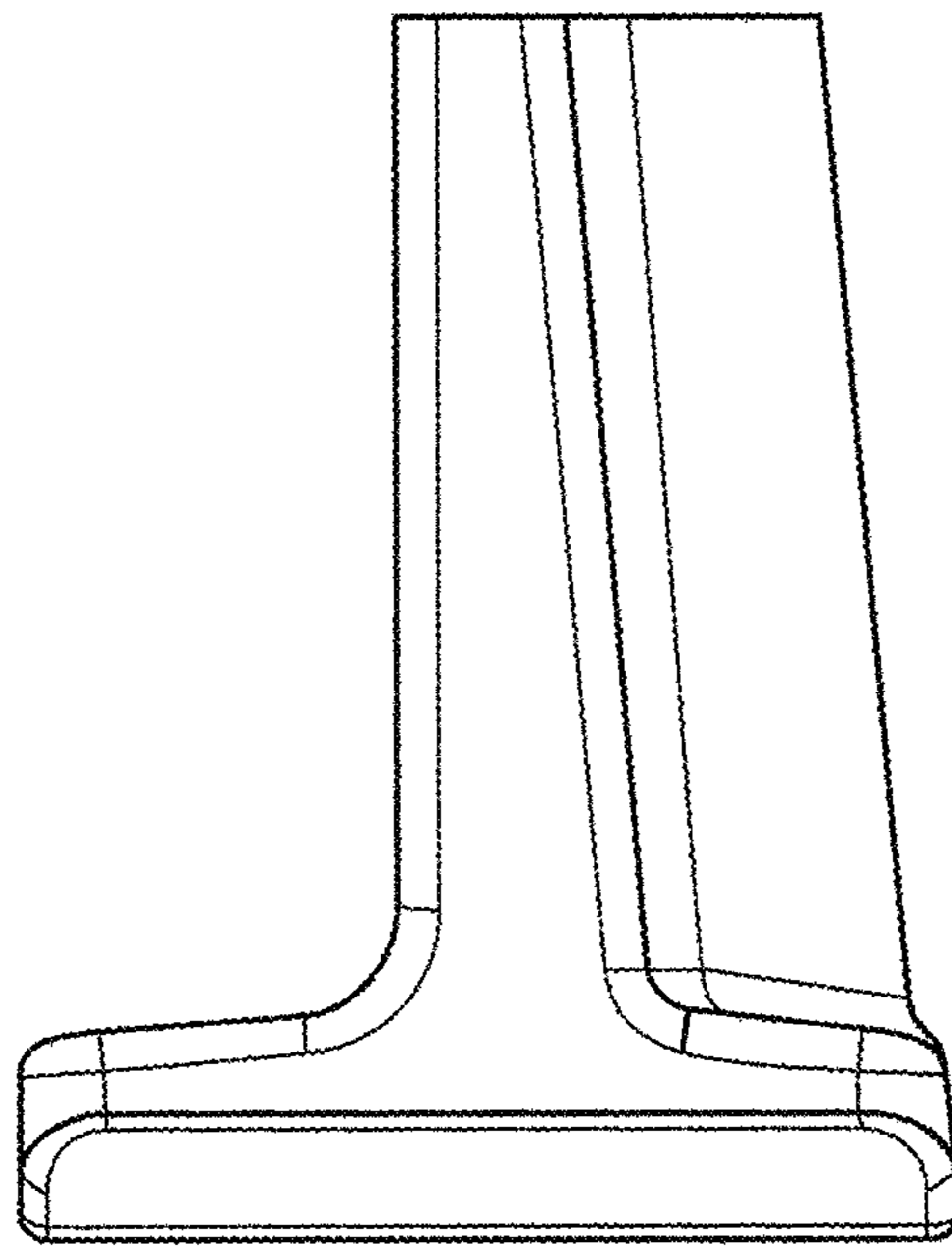


FIG. 4

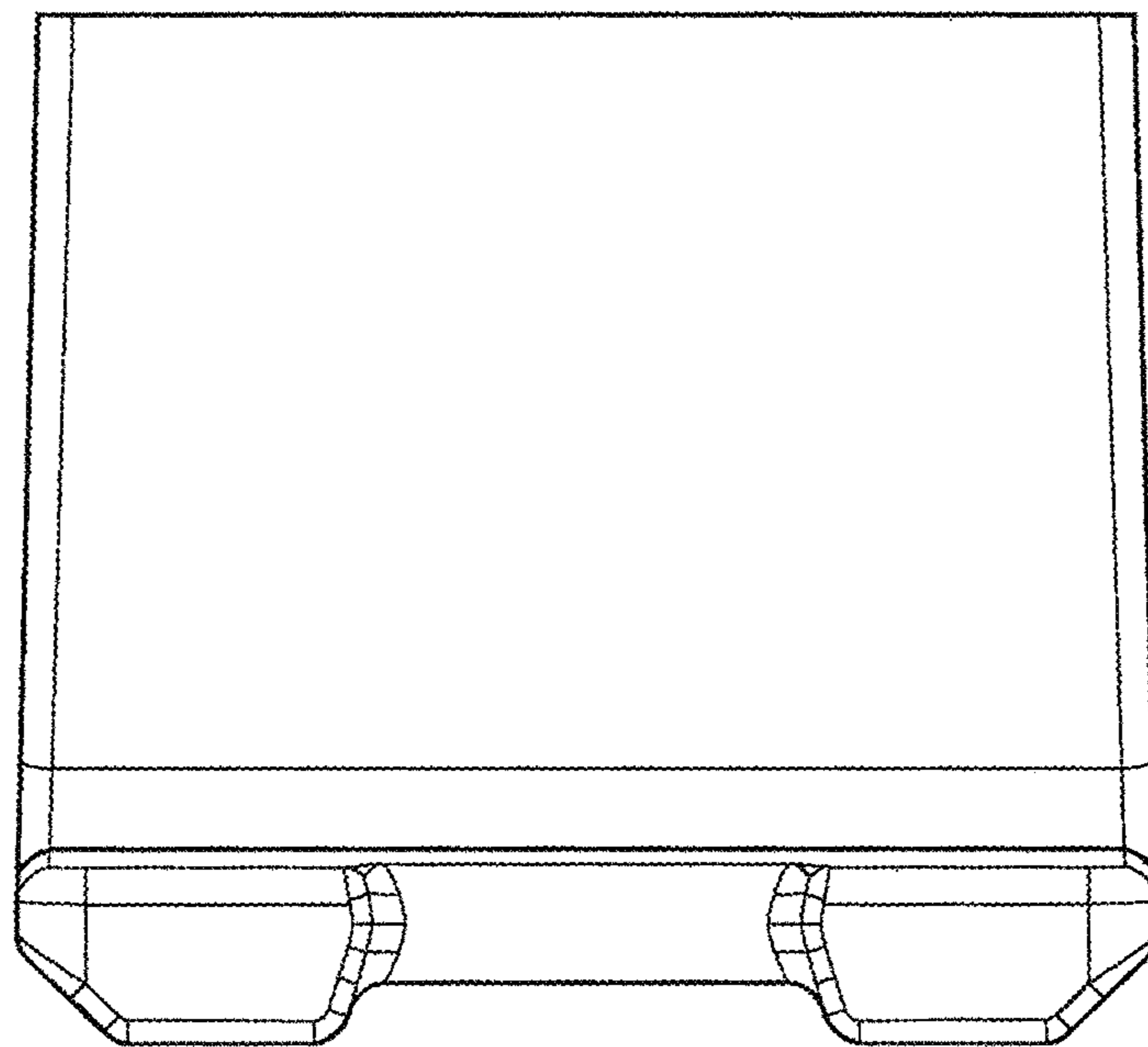


FIG. 5

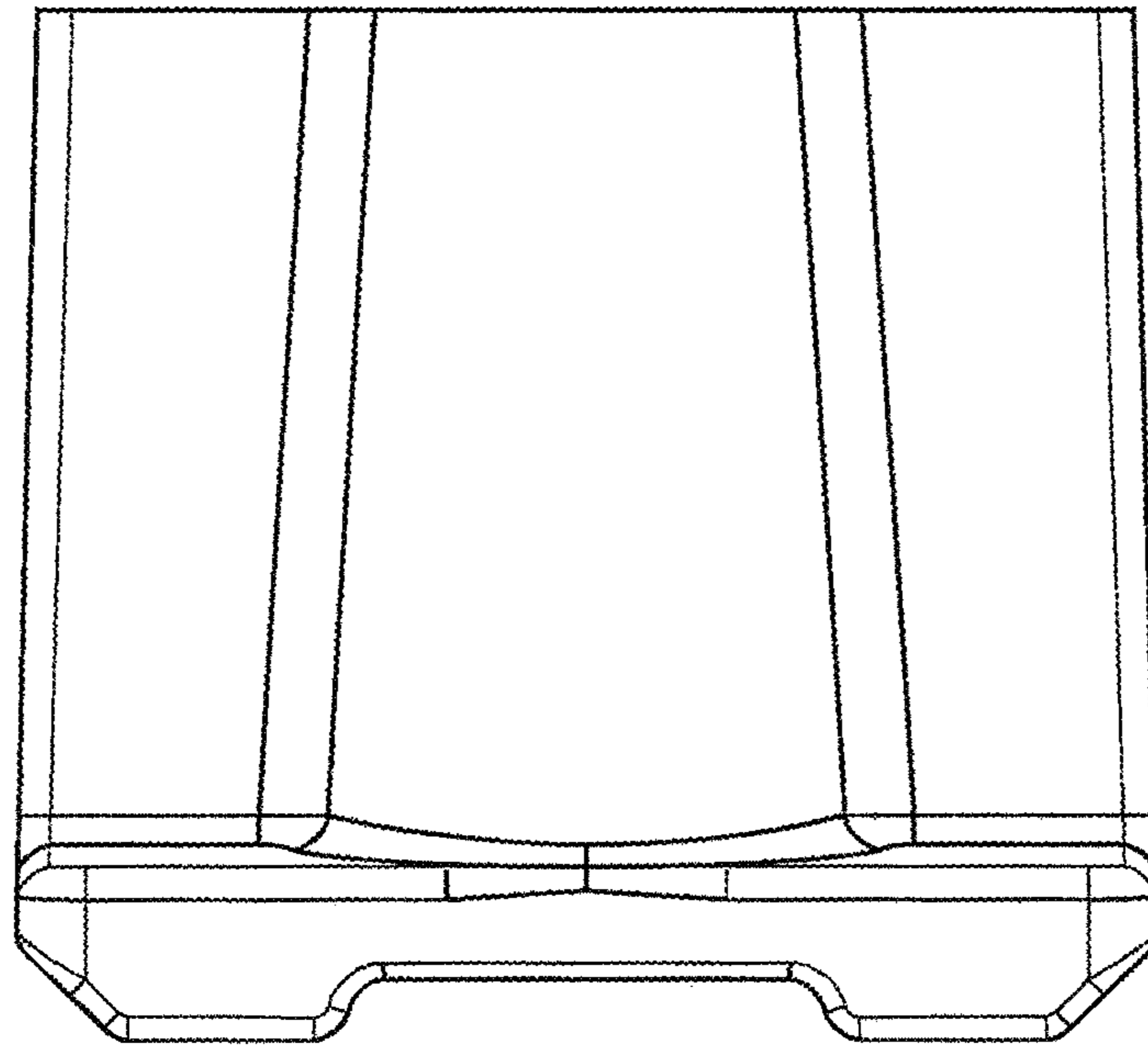


FIG. 6

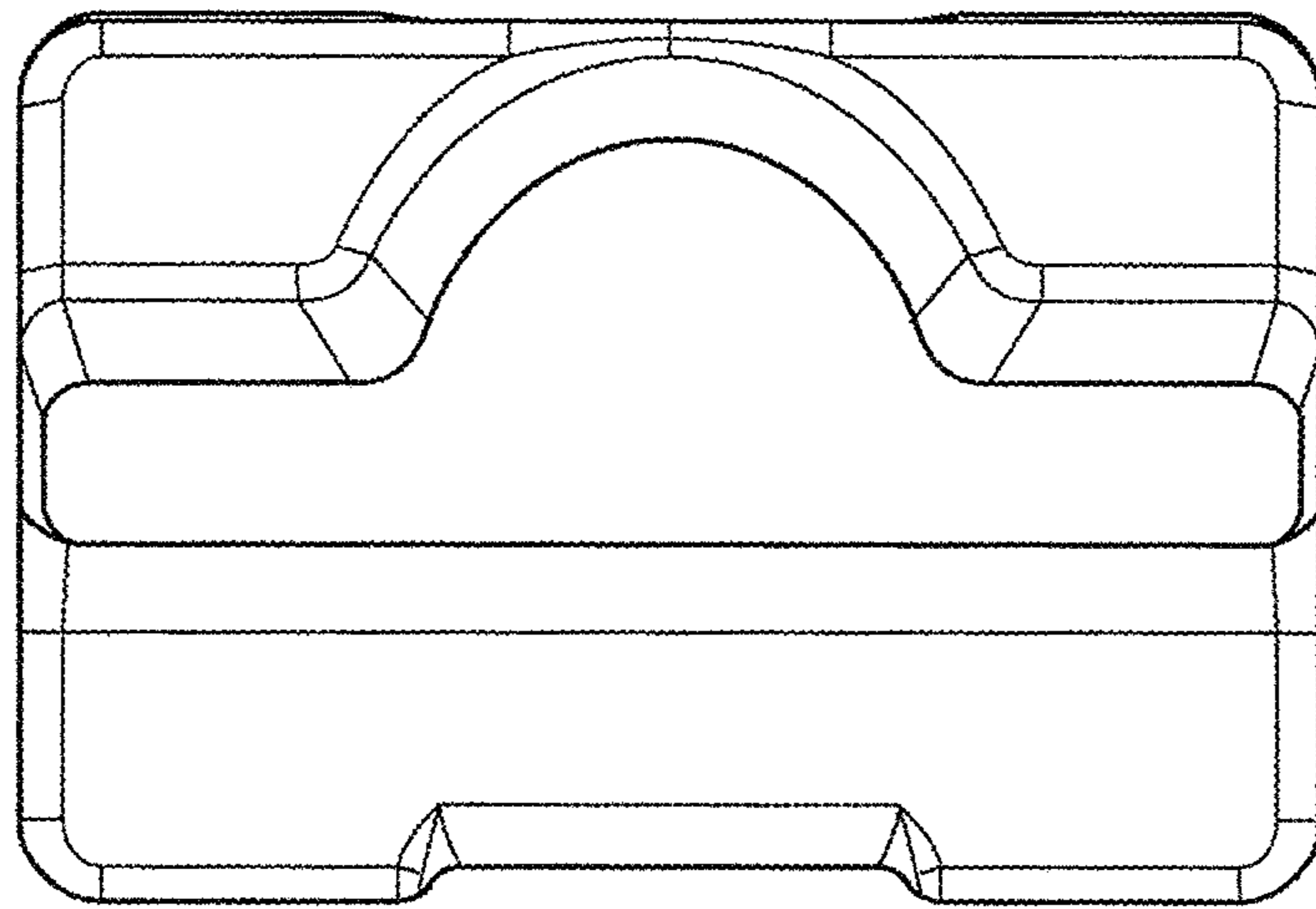


FIG. 7

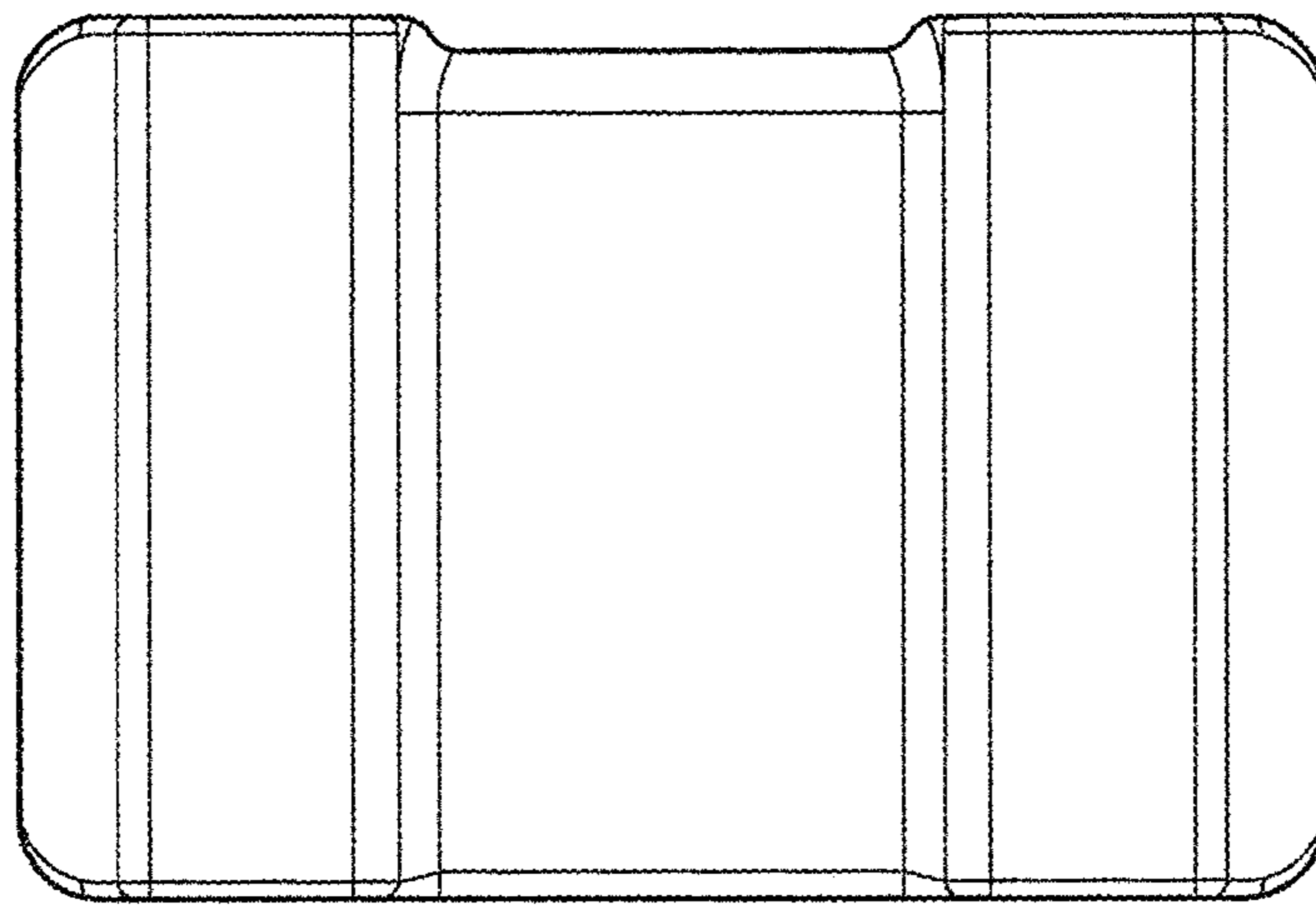


FIG. 8