



US00D940661S

(12) **United States Design Patent** (10) **Patent No.:** **US D940,661 S**
Alviar et al. (45) **Date of Patent:** **** Jan. 11, 2022**

(54) **MEDICAL DEVICE CONNECTOR**

FOREIGN PATENT DOCUMENTS

(71) Applicant: **Physio-Control, Inc.**, Redmond, WA (US)

WO WO-2010033992 A1 * 3/2010 A61N 1/3904

(72) Inventors: **Christopher Alviar**, Redmond, WA (US); **Ryan Bowman**, Redmond, WA (US); **Neal Clark**, Redmond, WA (US); **Zack Pahlman**, Redmond, WA (US); **Jeremy Wong**, Redmond, WA (US); **John Depillo**, Redmond, WA (US)

OTHER PUBLICATIONS

Medtronic > Physio Control Compatible ECG Trunk Cable—11110-000110, dated Apr. 23, 2018, [online], [site visited Oct. 6, 2020]. Available from Internet, URL: <https://www.cablesandsensors.com/products/medtronic-physio-control-compatible-ecg-trunk-cable-805265-23?variant=33805214920#stamped-main-widget> (Year: 2018).*

(Continued)

(**) Term: **15 Years**

Primary Examiner — Shawn T Gingrich

(21) Appl. No.: **29/708,177**

(74) *Attorney, Agent, or Firm* — Lee & Hayes, P.C.

(22) Filed: **Oct. 3, 2019**

(51) **LOC (13) Cl.** **13-03**

(52) **U.S. Cl.**

USPC **D13/147**

(58) **Field of Classification Search**

USPC D13/107, 108, 123, 133, 146, 147, 154, D13/184, 199; D24/107, 127, 129, 167, D24/168, 187

CPC A61N 1/39; A61B 5/00; A61B 5/04; A61B 5/0408; A61B 5/0416; A61B 6/03; H01R 9/00; H01R 9/03; H01R 13/00; H01R 13/46; H01R 13/627; H01R 13/64; H01R 13/73; H01R 24/00

See application file for complete search history.

(57) **CLAIM**

The ornamental design for a medical device connector, as shown and described.

DESCRIPTION

FIG. 1 is a top perspective view of a medical device connector;
FIG. 2 is an enlarged view of a left perspective of the medical device connector shown in FIG. 1;
FIG. 3 is a top view thereof;
FIG. 4 is a front side view thereof;
FIG. 5 is a back view thereof; and,
FIG. 6 is a side view thereof.

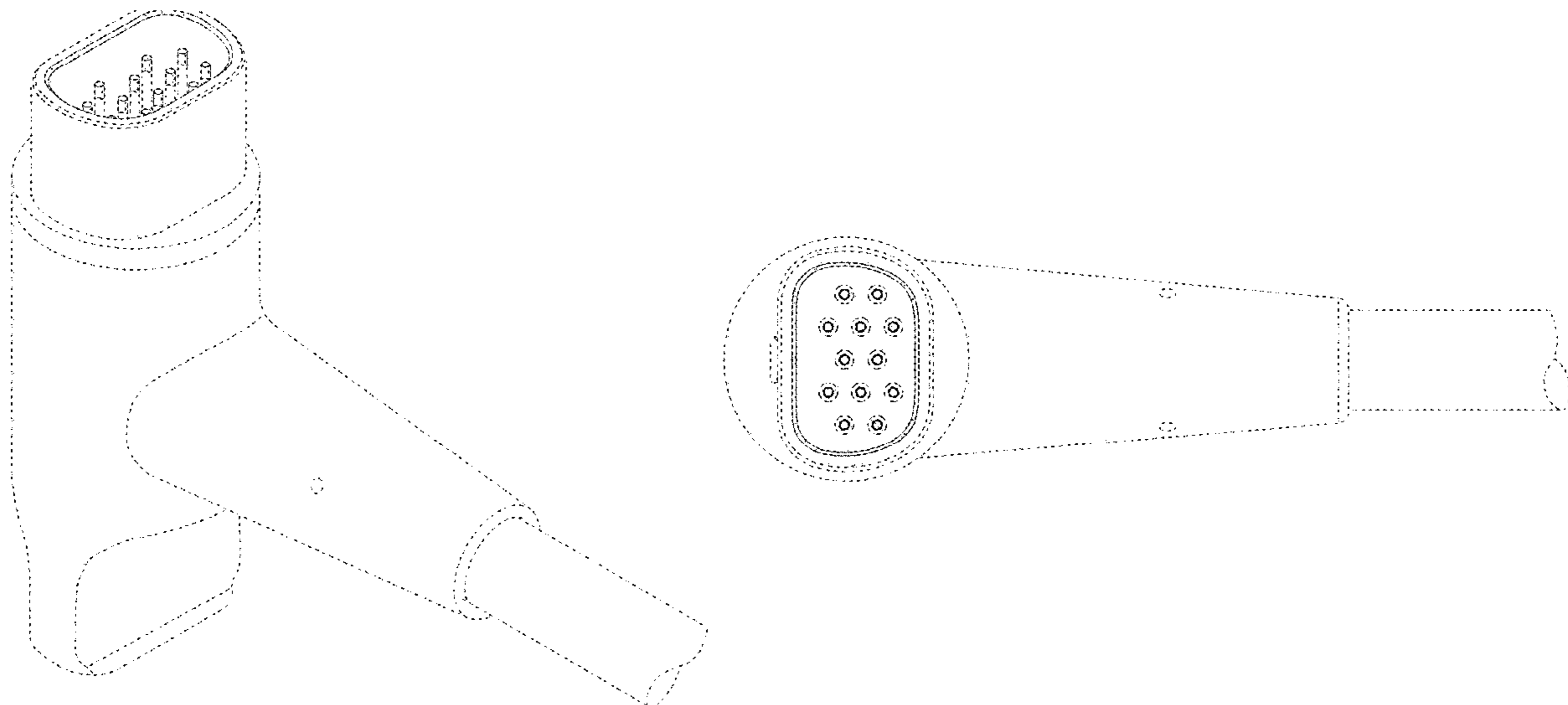
The dashed-lines represent the remainder of the article and do not form part of the claimed design, are directed to environment, and represent unclaimed subject matter. The undulating thin lines located on each pin of the medical device connector represent a boundary of the claimed design and form no part of the claimed design.

(56) **References Cited**

U.S. PATENT DOCUMENTS

D561,109 S *	2/2008	Howerton	D13/147
D601,965 S *	10/2009	Rupp	D13/147
D609,188 S *	2/2010	Lee	D13/147
D794,573 S *	8/2017	Tateishi	D13/147
D892,060 S *	8/2020	Zhang	D13/147
D933,612 S *	10/2021	Alviar	D13/147
2012/0315771 A1 *	12/2012	Greig	B64D 11/0624 439/39

1 Claim, 4 Drawing Sheets



(56)

References Cited

OTHER PUBLICATIONS

HangTon HE29 Outdoor Waterproof Electrical Circular Connector Threaded Cable Plug for LED/Power/Lighting Equipment (22 pin), dated May 31, 2018, [online], [site visited Oct. 6, 2020]. Available from Internet, URL: <https://www.amazon.com/HangTon-Electrical-Industrial-Waterproof-Connector/dp/B07JB9HT59> (Year: 2018).*

Physio Control Lifepak 12/15 V-Lead Cable, dated Jul. 9, 2015, [online], [site visited Oct. 30, 2021]. Available from Internet, URL: <https://coastbiomed.com/product/physio-control-lifepak-12-v-lead-cable/> (Year: 2015).*

* cited by examiner

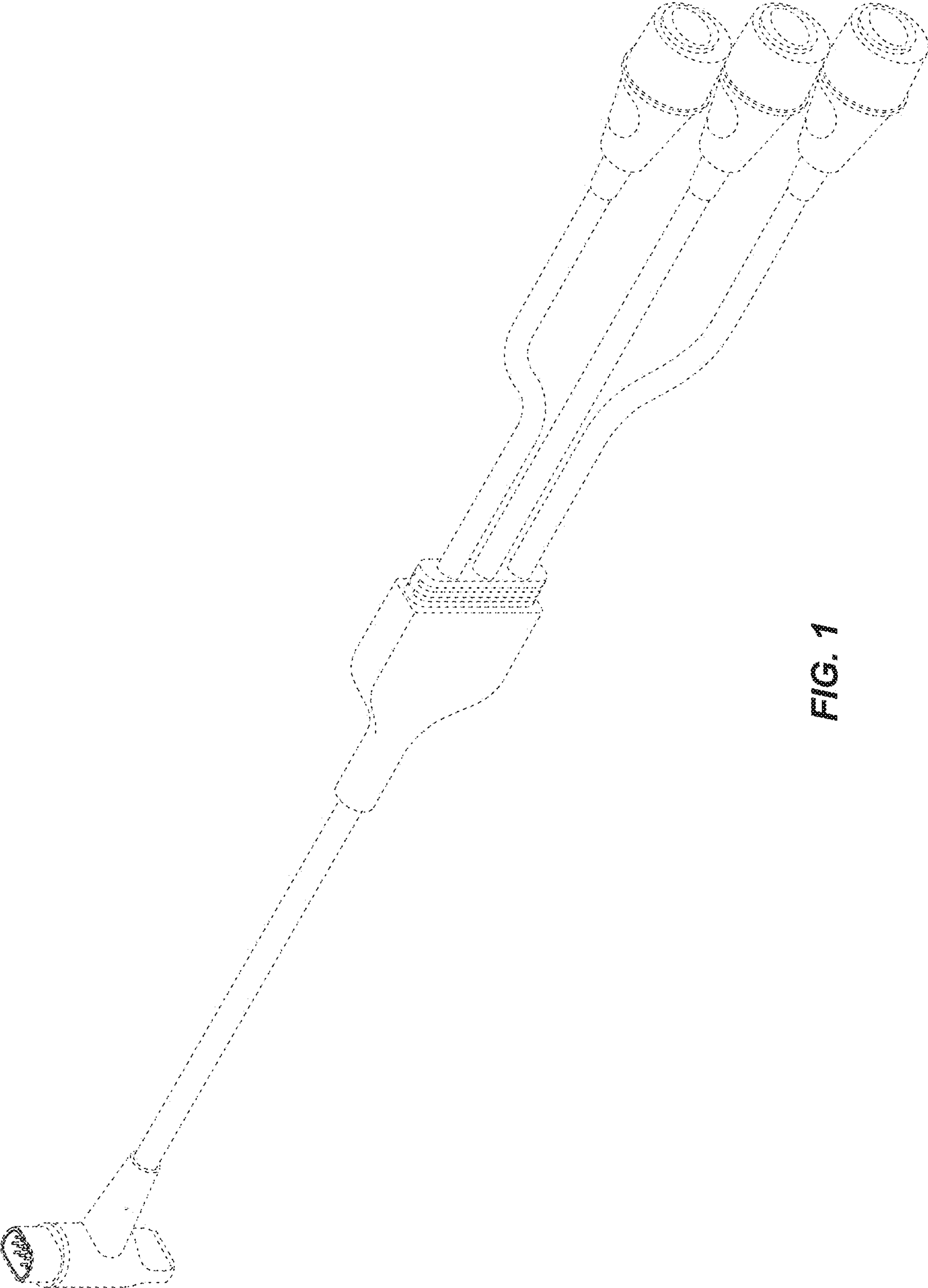


FIG. 1

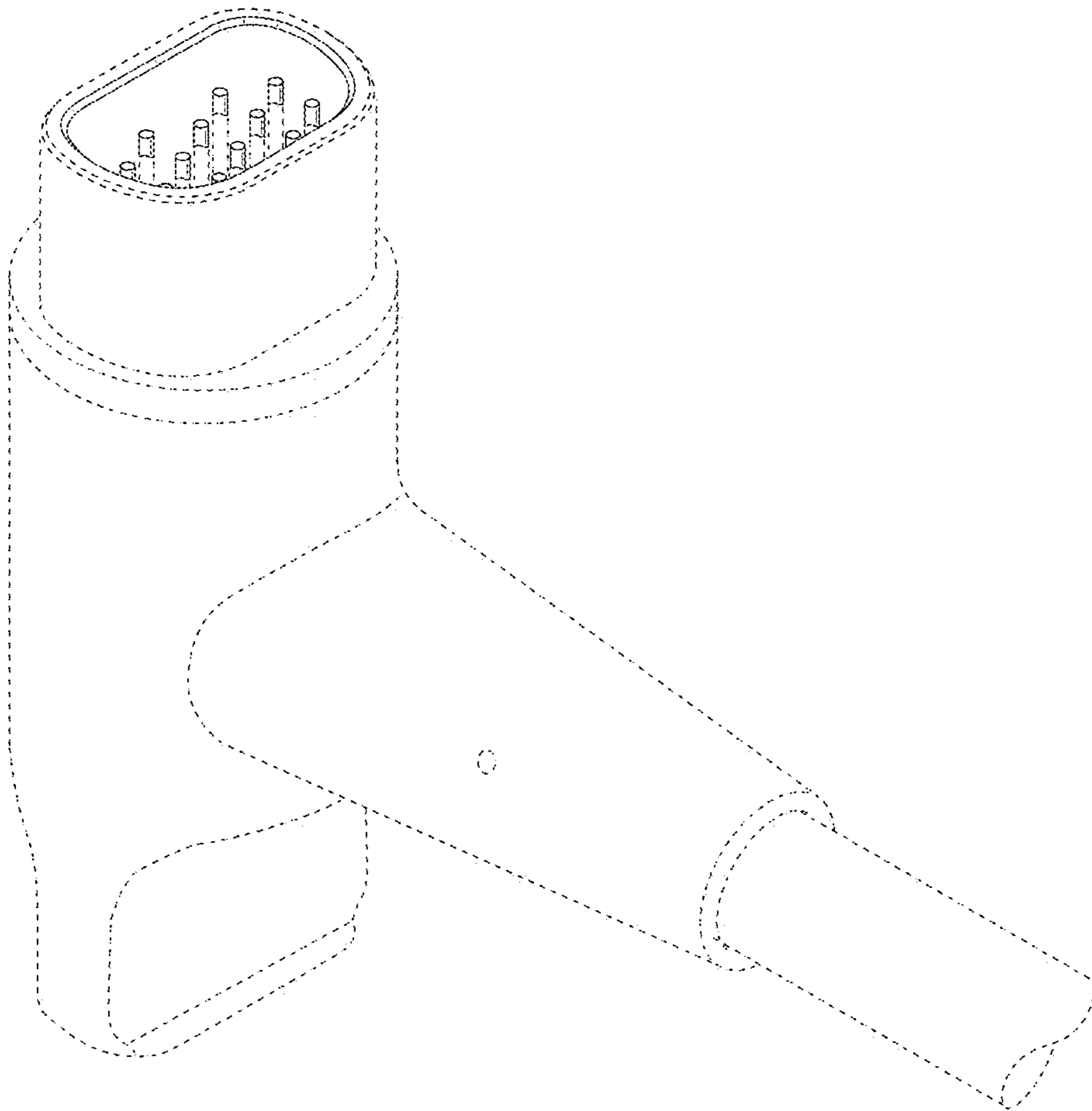


FIG. 2

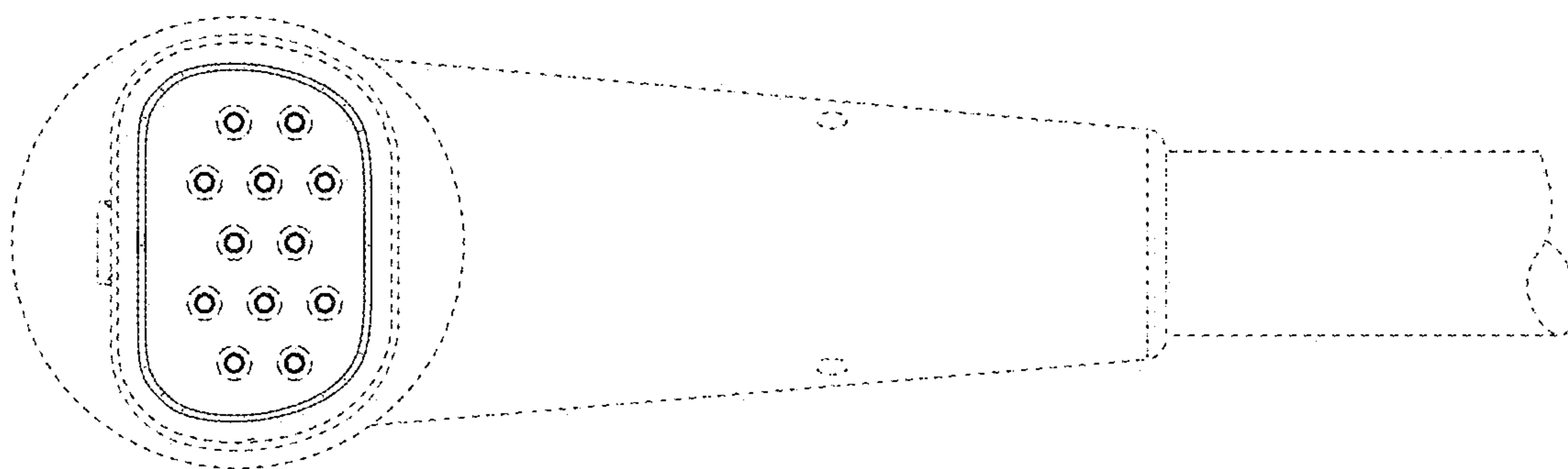


FIG. 3

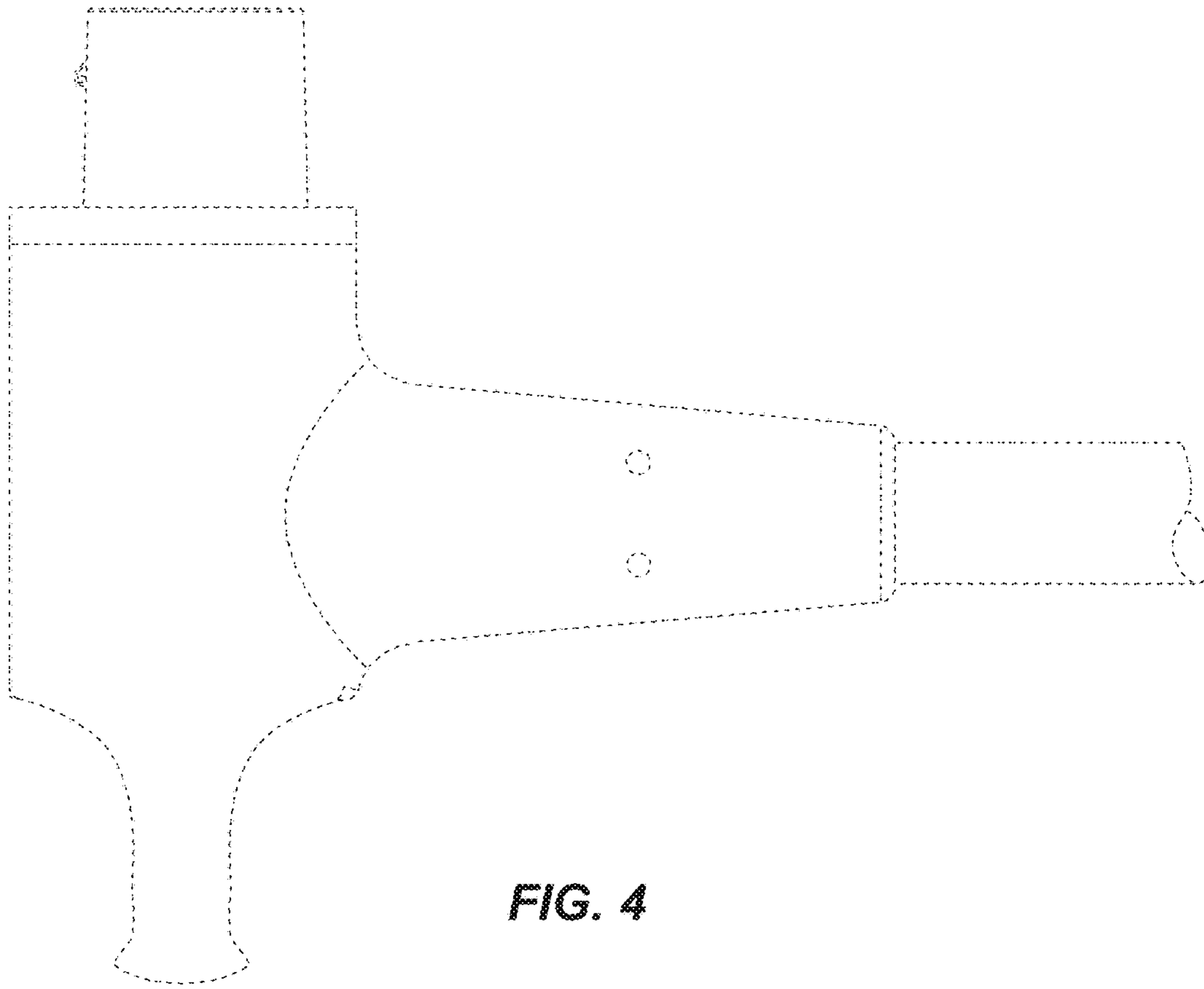


FIG. 4

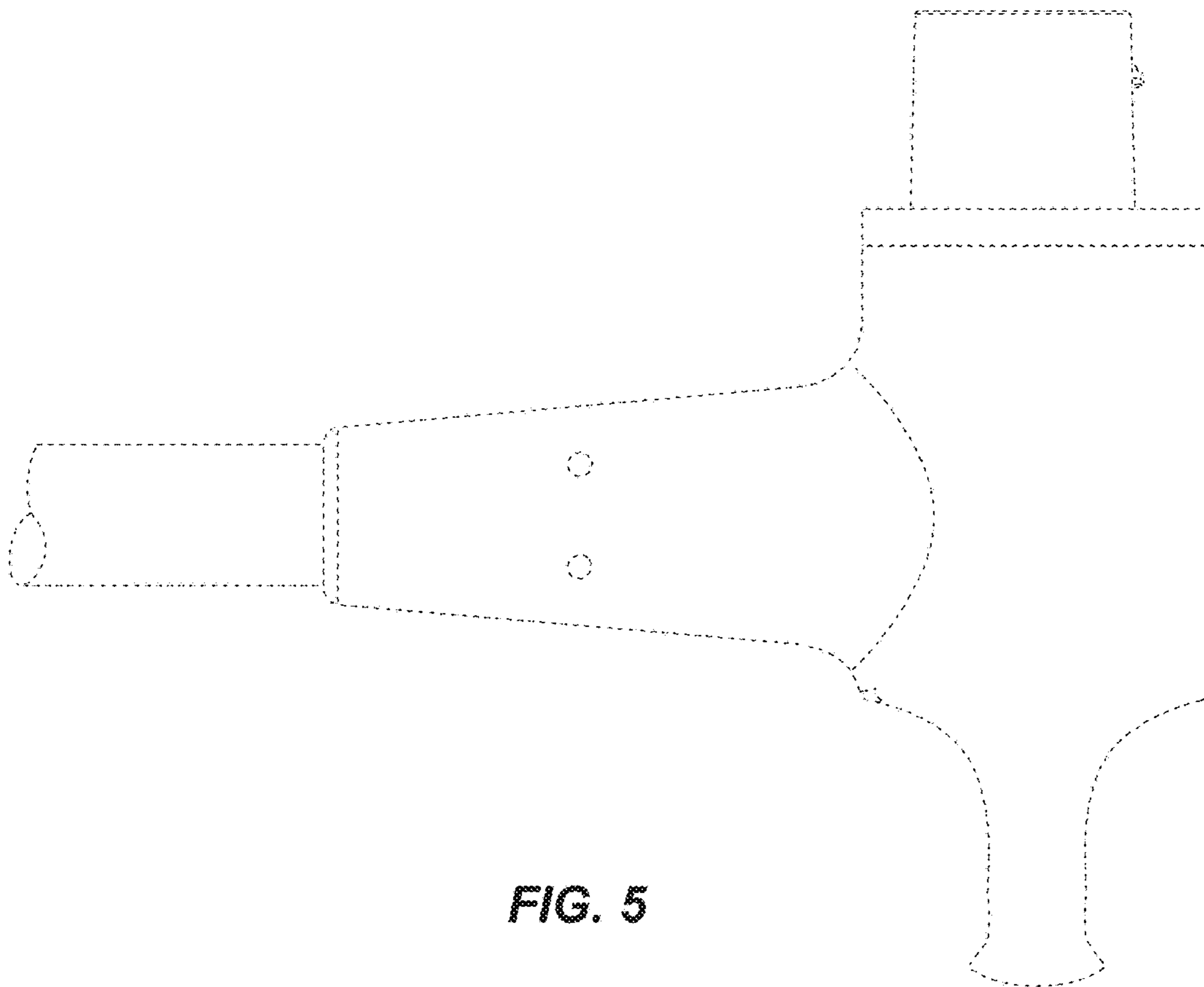


FIG. 5

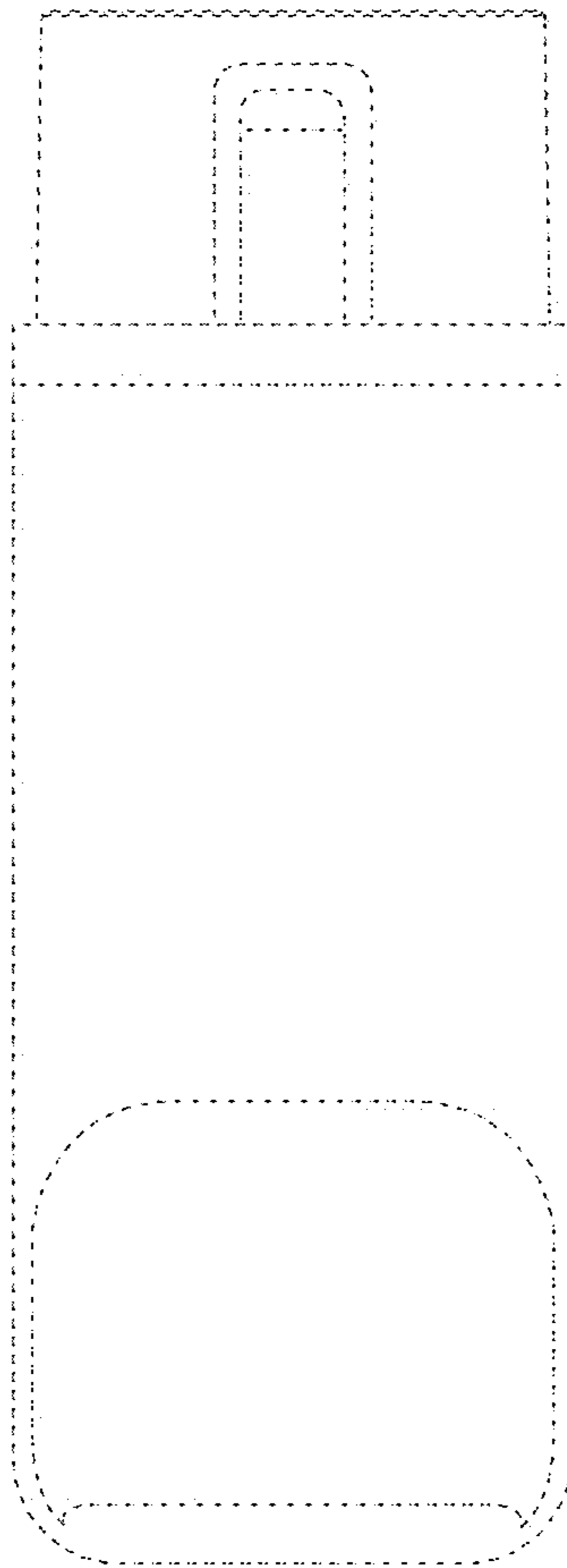


FIG. 6