



(12) **United States Design Patent** (10) **Patent No.:** **US D940,660 S**  
**Alviar et al.** (45) **Date of Patent:** **\*\* Jan. 11, 2022**

(54) **MEDICAL DEVICE CONNECTOR**  
 (71) Applicant: **Physio-Control, Inc.**, Redmond, WA (US)  
 (72) Inventors: **Christopher Alviar**, Redmond, WA (US); **Neal Clark**, Redmond, WA (US); **Barry Curtin**, Redmond, WA (US); **Neil McIlvane**, Redmond, WA (US); **Peter Nazarov**, Redmond, WA (US); **Zack Pahlman**, Redmond, WA (US); **Jeremy Wong**, Redmond, WA (US); **Christian Schneider**, Redmond, WA (US)

(\*\*) Term: **15 Years**  
 (21) Appl. No.: **29/708,051**  
 (22) Filed: **Oct. 2, 2019**  
 (51) **LOC (13) Cl.** ..... **13-03**  
 (52) **U.S. Cl.**  
 USPC ..... **D13/147**  
 (58) **Field of Classification Search**  
 USPC ..... D13/107, 108, 123, 133, 146, 147, 154, D13/184, 199; D24/107, 127, 129, 167, D24/168, 187  
 CPC .... A61N 1/39; A61B 5/00; A61B 5/04; A61B 5/0408; A61B 5/0416; A61B 6/03; H01R 9/00; H01R 9/03; H01R 13/00; H01R 13/46; H01R 13/627; H01R 13/64; H01R 13/73; H01R 24/00  
 See application file for complete search history.

(56) **References Cited**  
 U.S. PATENT DOCUMENTS  
 D230,155 S 1/1974 Brown  
 D317,289 S 6/1991 Fukuda et al.  
 D427,565 S \* 7/2000 Lok ..... D13/147  
 D431,530 S 10/2000 Nishio et al.

D460,049 S 7/2002 McCoy  
 D462,057 S 8/2002 Okamoto  
 D562,248 S \* 2/2008 Howerton ..... D13/147  
 D598,393 S 8/2009 Stirling  
 D598,394 S 8/2009 Stirling  
 D601,965 S \* 10/2009 Rupp ..... D13/147  
 D609,188 S \* 2/2010 Lee ..... D13/147  
 (Continued)

**OTHER PUBLICATIONS**

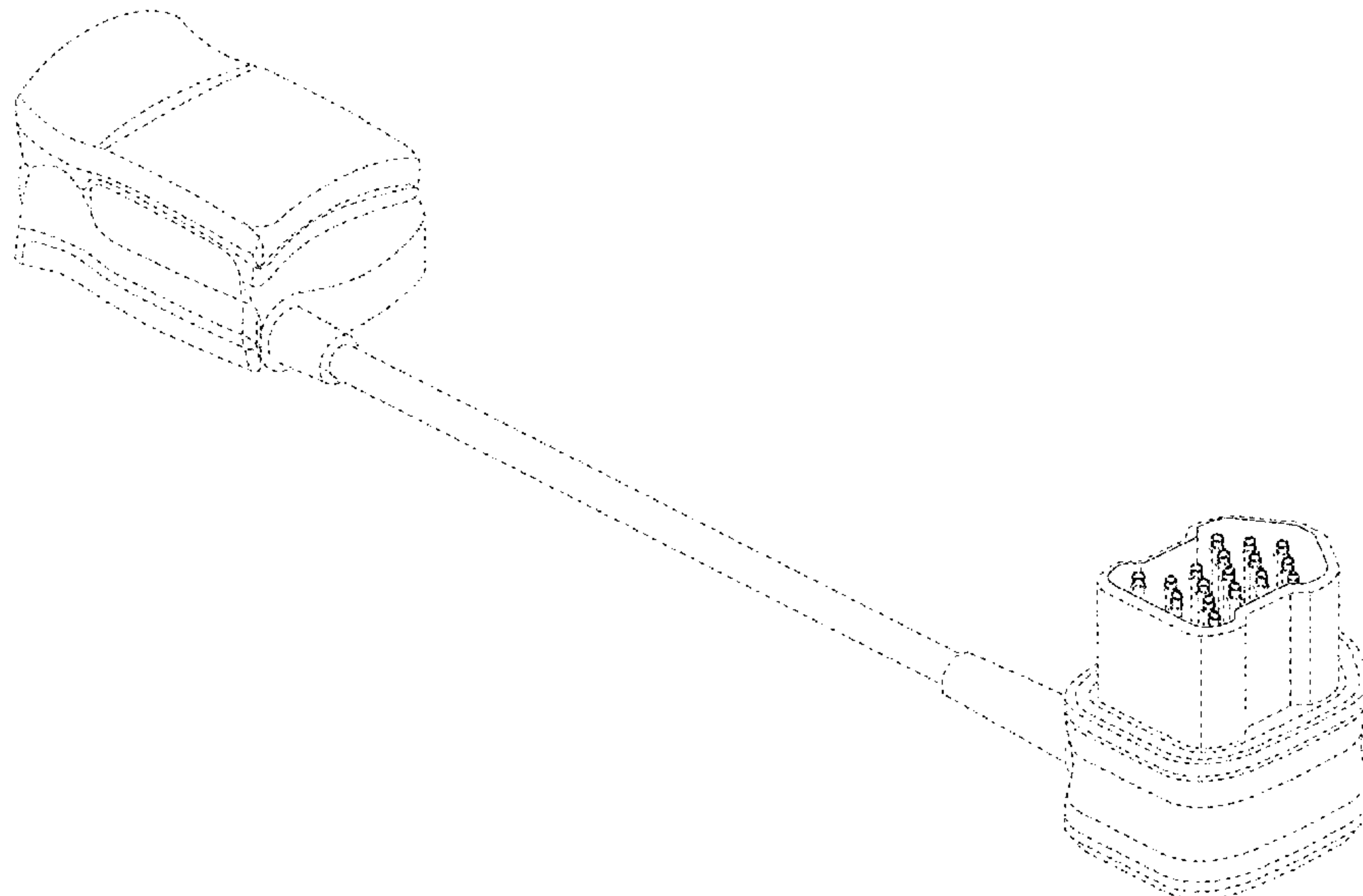
HangTon HE29 26 Pin Waterproof Power Connector Male Female Cable Plug Receptacle for Electrical Industrial Devices, dated May 31, 2018, [online], [site visited Oct. 6, 2020]. Available from Internet, URL: [https://www.amazon.com/HangTon-Waterproof-Power-Female-Connector/dp/B07JVLSBC8/\(Year: 2018\).\\*](https://www.amazon.com/HangTon-Waterproof-Power-Female-Connector/dp/B07JVLSBC8/(Year: 2018).*)  
 (Continued)

*Primary Examiner* — Shawn T Gingrich  
 (74) *Attorney, Agent, or Firm* — Lee & Hayes, P.C.

(57) **CLAIM**  
 The ornamental design for a medical device connector, as shown and described.

**DESCRIPTION**  
 FIG. 1 is a top perspective view of a medical device connector;  
 FIG. 2 is bottom perspective view thereof;  
 FIG. 3 is a front side view thereof;  
 FIG. 4 is a bottom view thereof; and,  
 FIG. 5 is a back side view thereof.  
 The long dashed-lines represent the remainder of the article and do not form part of the claimed design, are directed to environment, and represent unclaimed subject matter.  
 The unshaded surfaces form no part of the claimed design.  
 The short dashed-lines located on each pin of the medical device connector represent a boundary of the claimed design and form no part of the claimed design.

**1 Claim, 4 Drawing Sheets**



(56)

**References Cited**

U.S. PATENT DOCUMENTS

D651,170	S	*	12/2011	Yura	.....	D13/110
D676,388	S		2/2013	Muller		
D699,190	S	*	2/2014	Obata	.....	D13/147
D707,182	S	*	6/2014	Smith	.....	D13/147
D743,340	S		11/2015	Marshall et al.		
D769,194	S	*	10/2016	Greig	.....	D13/147
D769,823	S	*	10/2016	Qu	.....	D13/147
D811,347	S		2/2018	Tseng		
9,985,384	B1		5/2018	Johnson et al.		
D892,060	S	*	8/2020	Zhang	.....	D13/147
D898,673	S		10/2020	Lambrecht		
D931,218	S	*	9/2021	Alviar	.....	D13/133
2011/0028049	A1	*	2/2011	Lee	.....	B01L 7/00 439/733.1
2020/0287323	A1		9/2020	Lee		

OTHER PUBLICATIONS

cablesandsensors.com, "LNC-SL-10 Masimo Compatible SpO2 Adapter Cable", retrieved on Nov. 19, 2020 from <<<https://www.cablesandsensors.com/products/spacelabs-compatible-spo2-adapter-cable-700-0792-00?variant=33803087880>>> Sep. 24, 2020, 1 page.  
 Non Final Office Action dated Nov. 25, 2020 for U.S. Appl. No. 29/708,046, "ECG Connector", Alviar, 6 pages.  
 Non Final Office Action dated Dec. 8, 2020 for U.S. Appl. No. 29/708,058, "Oximetry Connector", Alviar, 4 pages.

\* cited by examiner

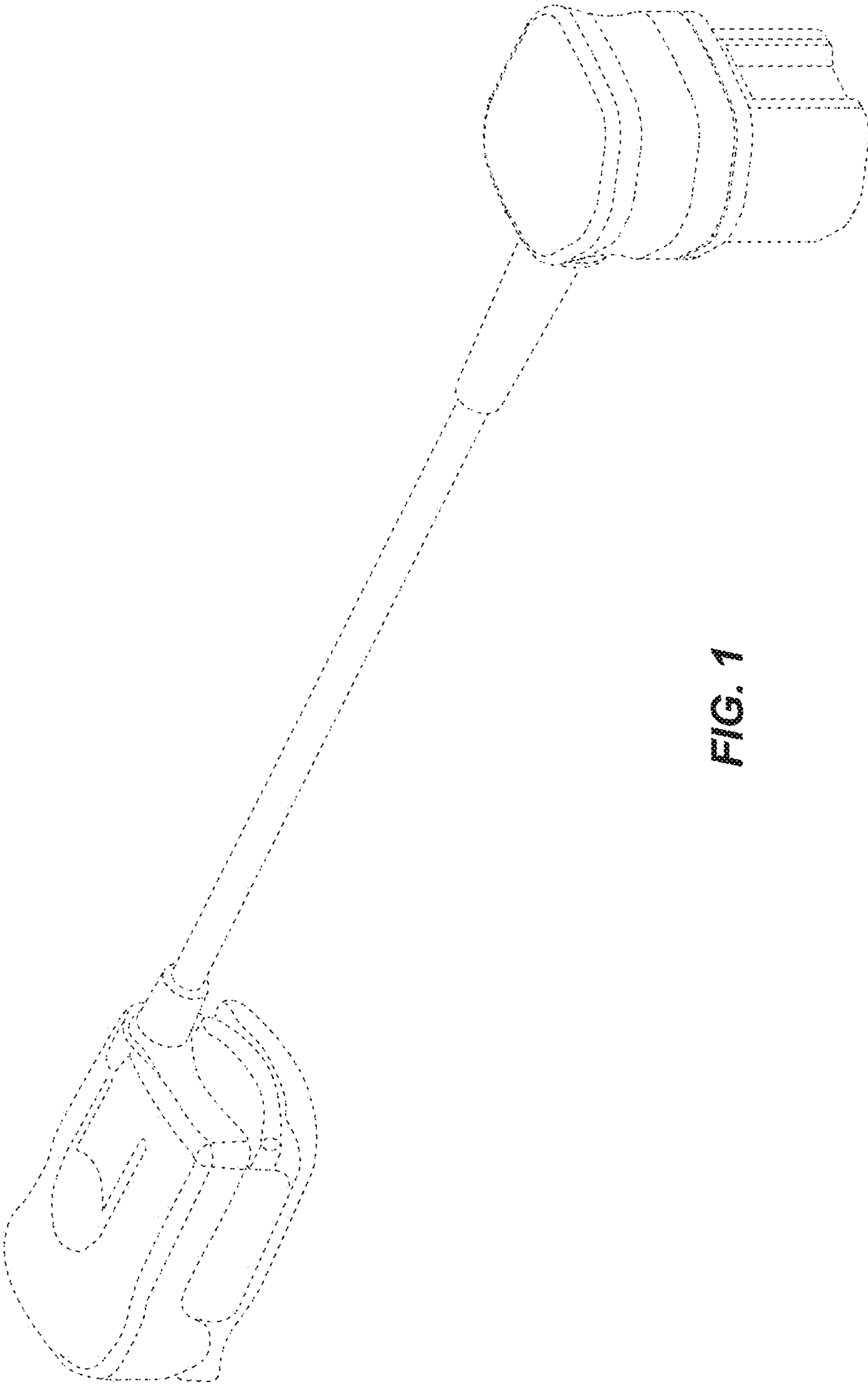


FIG. 1

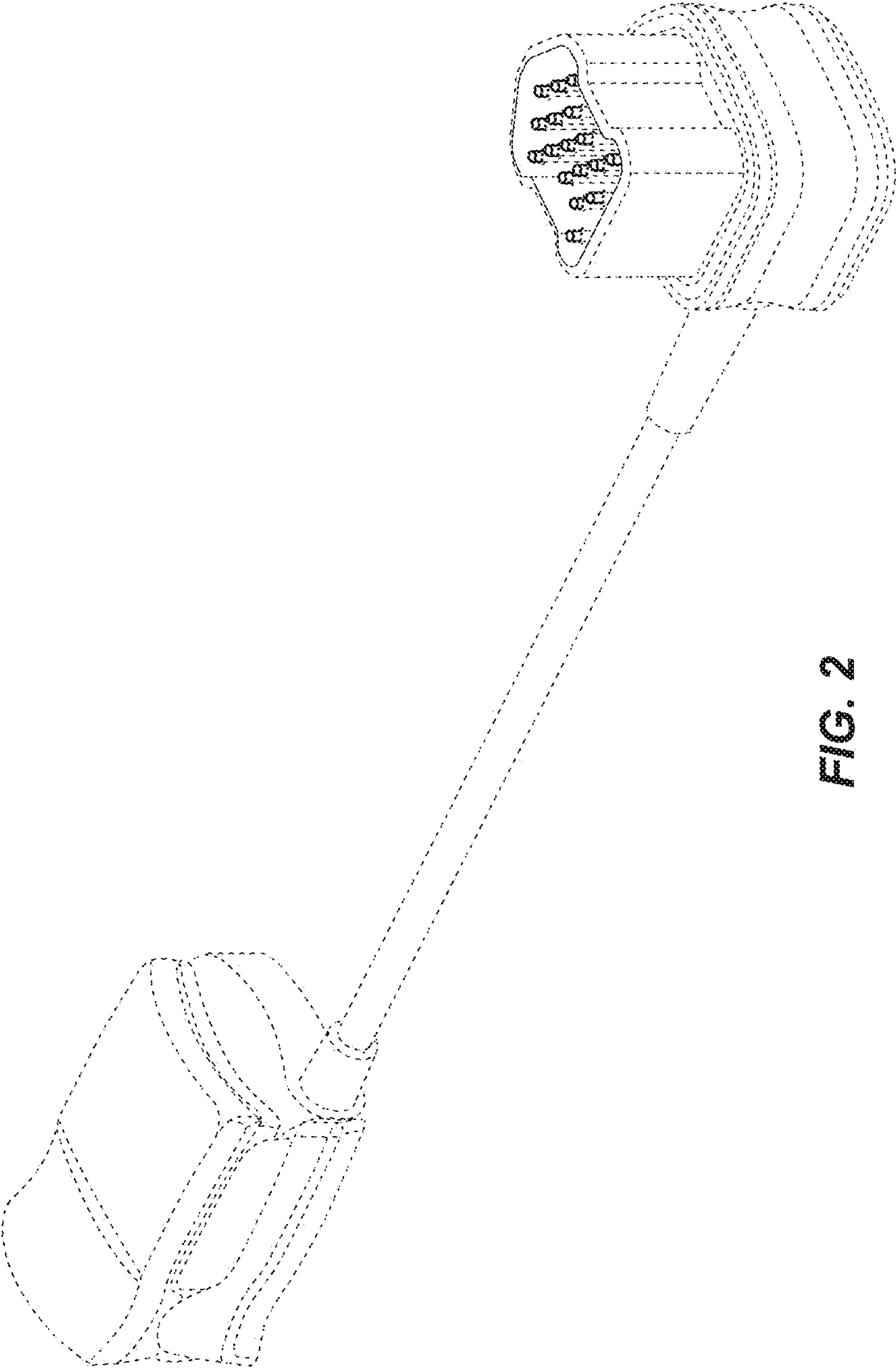


FIG. 2

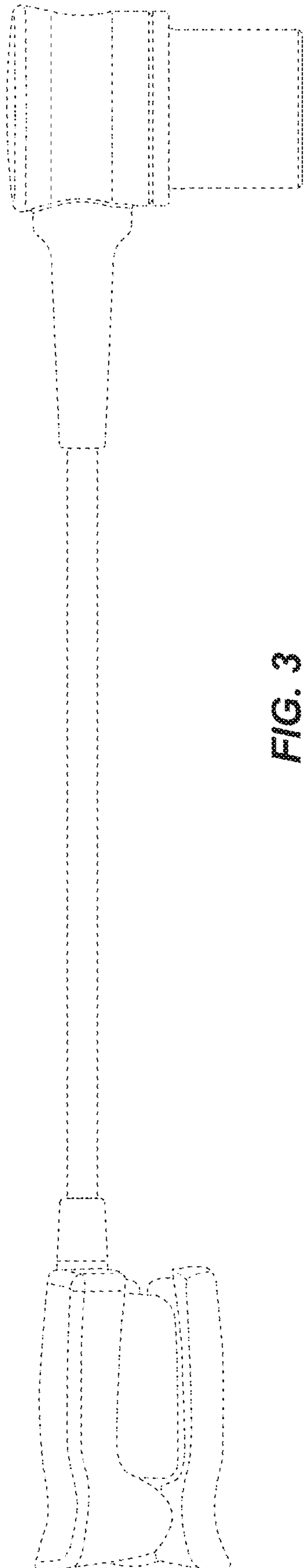


FIG. 3

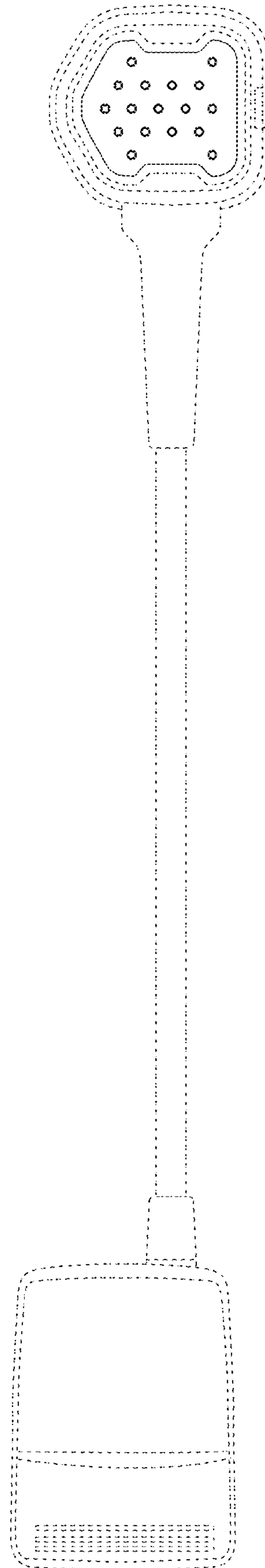
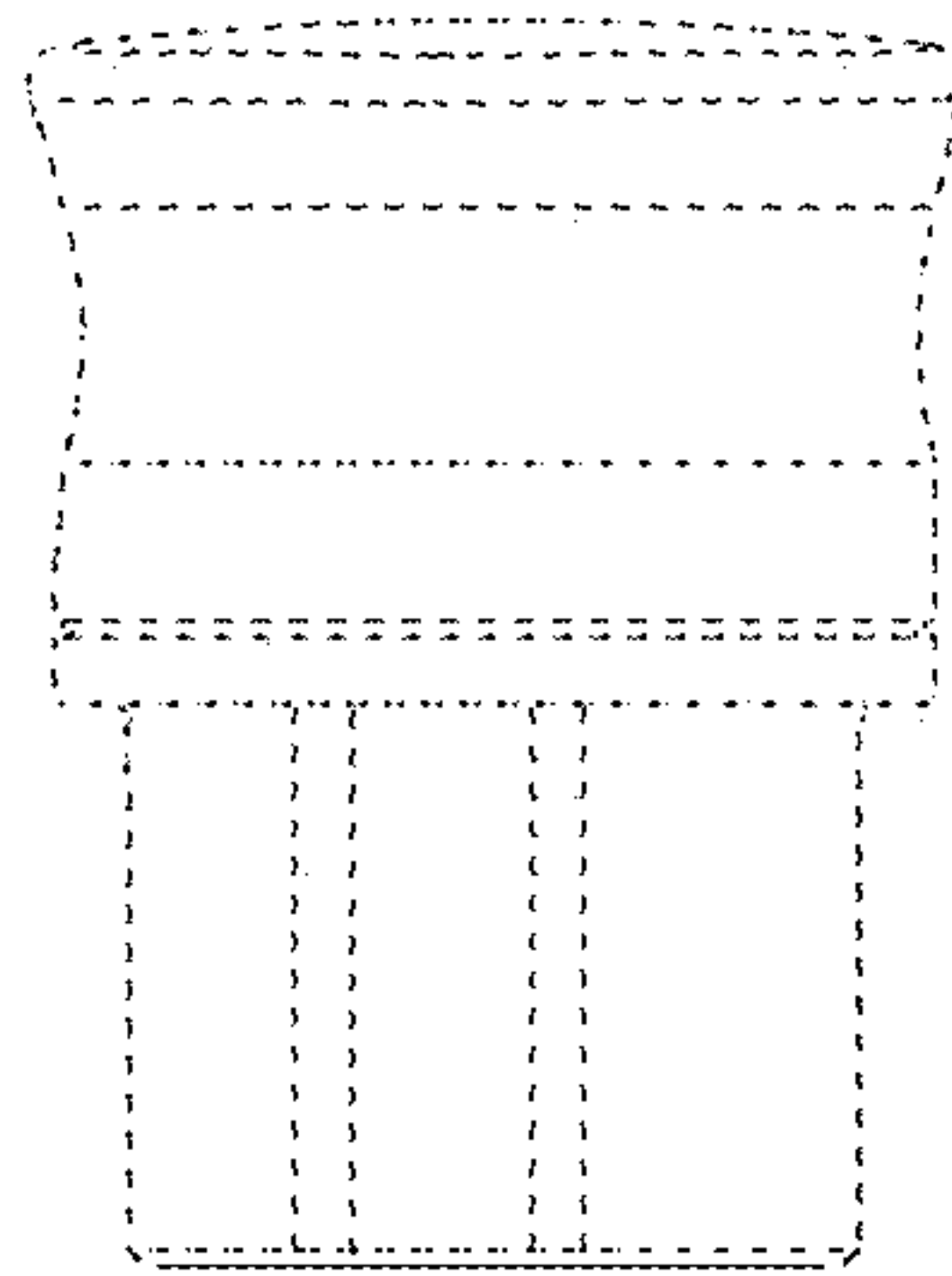


FIG. 4



**FIG. 5**