



US00D940659S

(12) **United States Design Patent**  
**Alviar et al.**

(10) **Patent No.:** **US D940,659 S**  
(45) **Date of Patent:** **\*\* Jan. 11, 2022**

- (54) **MEDICAL DEVICE CONNECTOR**
- (71) Applicant: **Physio-Control, Inc.**, Redmond, WA (US)
- (72) Inventors: **Christopher Alviar**, Redmond, WA (US); **Neal Clark**, Redmond, WA (US); **Barry Curtin**, Redmond, WA (US); **Neil McIlvane**, Redmond, WA (US); **Peter Nazaroff**, Redmond, WA (US); **Zack Pahlman**, Redmond, WA (US); **Jeremy Wong**, Redmond, WA (US); **Christian Schneider**, Redmond, WA (US)
- (73) Assignee: **Physio-Control, Inc.**, Redmond, WA (US)

- D427,565 S \* 7/2000 Lok ..... D13/147
- D431,530 S 10/2000 Nishio et al.
- D460,049 S 7/2002 McCoy
- D462,057 S 8/2002 Okamoto
- D562,248 S \* 2/2008 Howerton ..... D13/147
- D598,393 S 8/2009 Stirling
- D598,394 S 8/2009 Stirling

(Continued)

**OTHER PUBLICATIONS**

HangTon HE29 26 Pin Waterproof Power Connector Male Female Cable Plug Receptacle for Electrical Industrial Devices, dated May 31, 2018, [online], [site visited Oct. 6, 2020]. Available from Internet, URL: [https://www.amazon.com/HangTon-Waterproof-Power-Female-Connector/dp/B07JVLSBC8/\(Year: 2018\).\\*](https://www.amazon.com/HangTon-Waterproof-Power-Female-Connector/dp/B07JVLSBC8/(Year: 2018).*)

(Continued)

*Primary Examiner* — Shawn T Gingrich  
(74) *Attorney, Agent, or Firm* — Lee & Hayes, P.C.

- (\*\*) Term: **15 Years**
- (21) Appl. No.: **29/708,046**

(57) **CLAIM**

The ornamental design for a medical device connector, as shown and described.

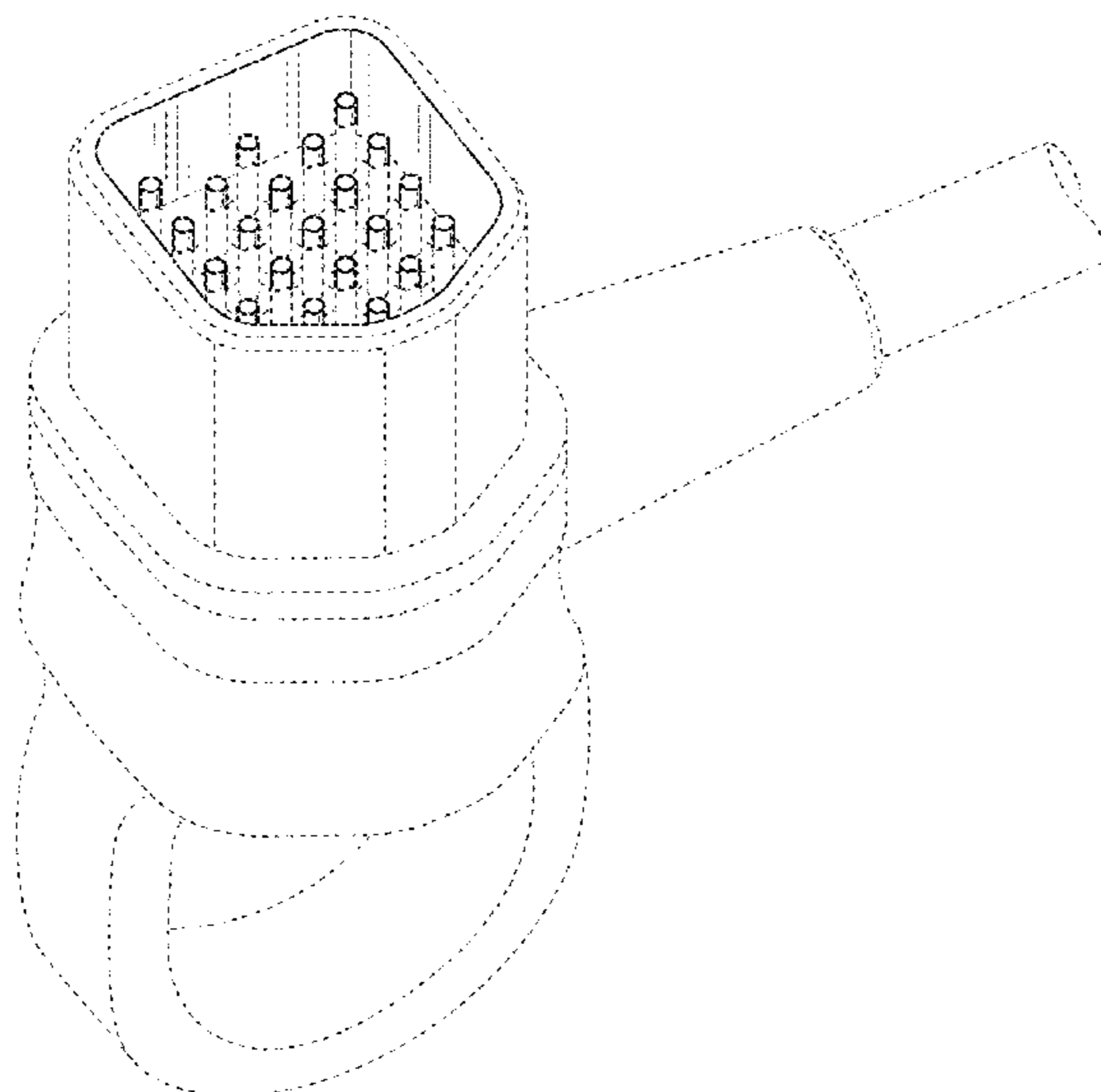
- (22) Filed: **Oct. 2, 2019**
- (51) **LOC (13) Cl.** ..... **13-03**
- (52) **U.S. Cl.**  
USPC ..... **D13/147**
- (58) **Field of Classification Search**  
USPC ..... D13/107, 108, 123, 133, 146, 147, 154, D13/184, 199; D24/107, 127, 129, 167, D24/168, 187  
CPC ... A61N 1/39; H01R 9/00; H01R 9/03; H01R 13/00; H01R 13/46; H01R 13/627; H01R 13/64; H01R 13/73; H01R 24/00; A61B 5/00; A61B 5/04; A61B 5/0408; A61B 5/0416; A61B 6/03  
See application file for complete search history.

**DESCRIPTION**

FIG. 1 is a front view of a medical device connector; FIG. 2 is an enlarged detail view of a left side thereof; FIG. 3 is a top view thereof; FIG. 4 is a front view thereof; FIG. 5 is a back view thereof; and, FIG. 6 is a side view thereof.  
The dashed-lines represent the remainder of the article and do not form part of the claimed design, are directed to environment, and represent unclaimed subject matter. The unshaded surfaces form no part of the claimed design. The undulating dashed-lines located on each pin of the medical device connector represent a boundary of the claimed design and form no part of the claimed design.

- (56) **References Cited**  
**U.S. PATENT DOCUMENTS**  
D230,155 S 1/1974 Brown  
D317,289 S 6/1991 Fukuda et al.

**1 Claim, 4 Drawing Sheets**



(56)

**References Cited**

U.S. PATENT DOCUMENTS

D601,965	S	*	10/2009	Rupp	.....	D13/147
D609,188	S	*	2/2010	Lee	.....	D13/147
D651,170	S	*	12/2011	Yura	.....	D13/110
D676,388	S		2/2013	Muller		
D699,190	S	*	2/2014	Obata	.....	D13/147
D707,182	S	*	6/2014	Smith	.....	D13/147
D743,340	S		11/2015	Marshall et al.		
D769,194	S	*	10/2016	Greig	.....	D13/147
D769,823	S	*	10/2016	Qu	.....	D13/147
D811,347	S		2/2018	Tseng		
9,985,384	B1		5/2018	Johnson et al.		
D892,060	S	*	8/2020	Zhang	.....	D13/147
D898,673	S		10/2020	Lambrecht		
2011/0028049	A1	*	2/2011	Lee	.....	B01L 7/00 439/733.1
2020/0287323	A1		9/2020	Lee		

OTHER PUBLICATIONS

cablesandsensors.com, "LNC-SL-10 Masimo Compatible SpO2 Adapter Cable", retrieved on Nov. 19, 2020 from <<https://www.cablesandsensors.com/products/spacelabs-compatible-spo2-adapter-cable-700-0792-00?variant=33803087880>> Sep. 24, 2020, 1 page.

Non Final Office Action dated Nov. 25, 2020 for U.S. Appl. No. 29/708,051, "Oximetry Connector", Alviar, 6 pages.

Non Final Office Action dated Dec. 8, 2020 for U.S. Appl. No. 29/708,058, "Oximetry Connector", Alviar, 4 pages.

\* cited by examiner

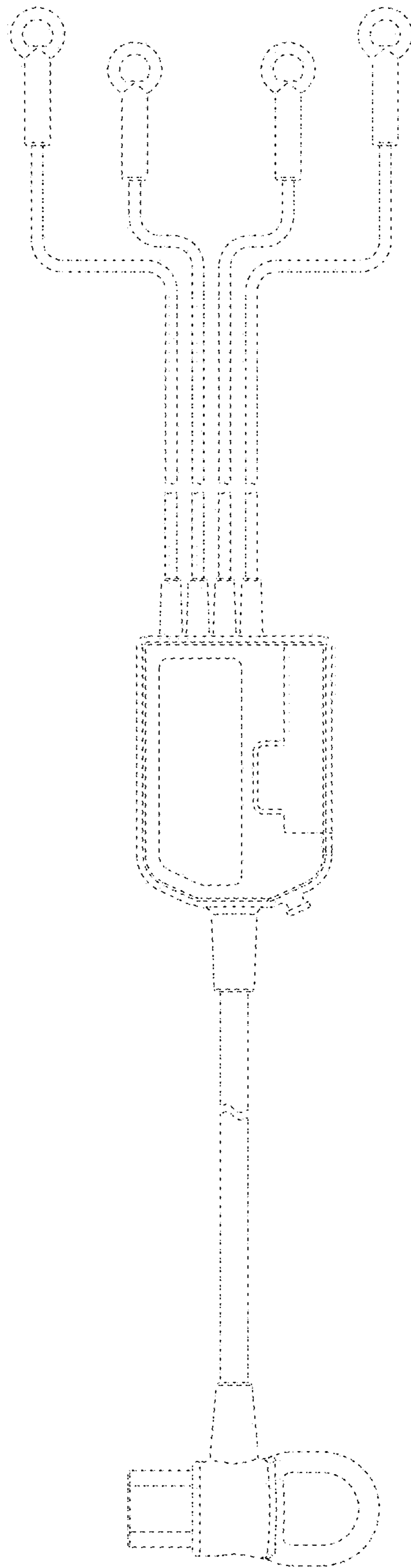
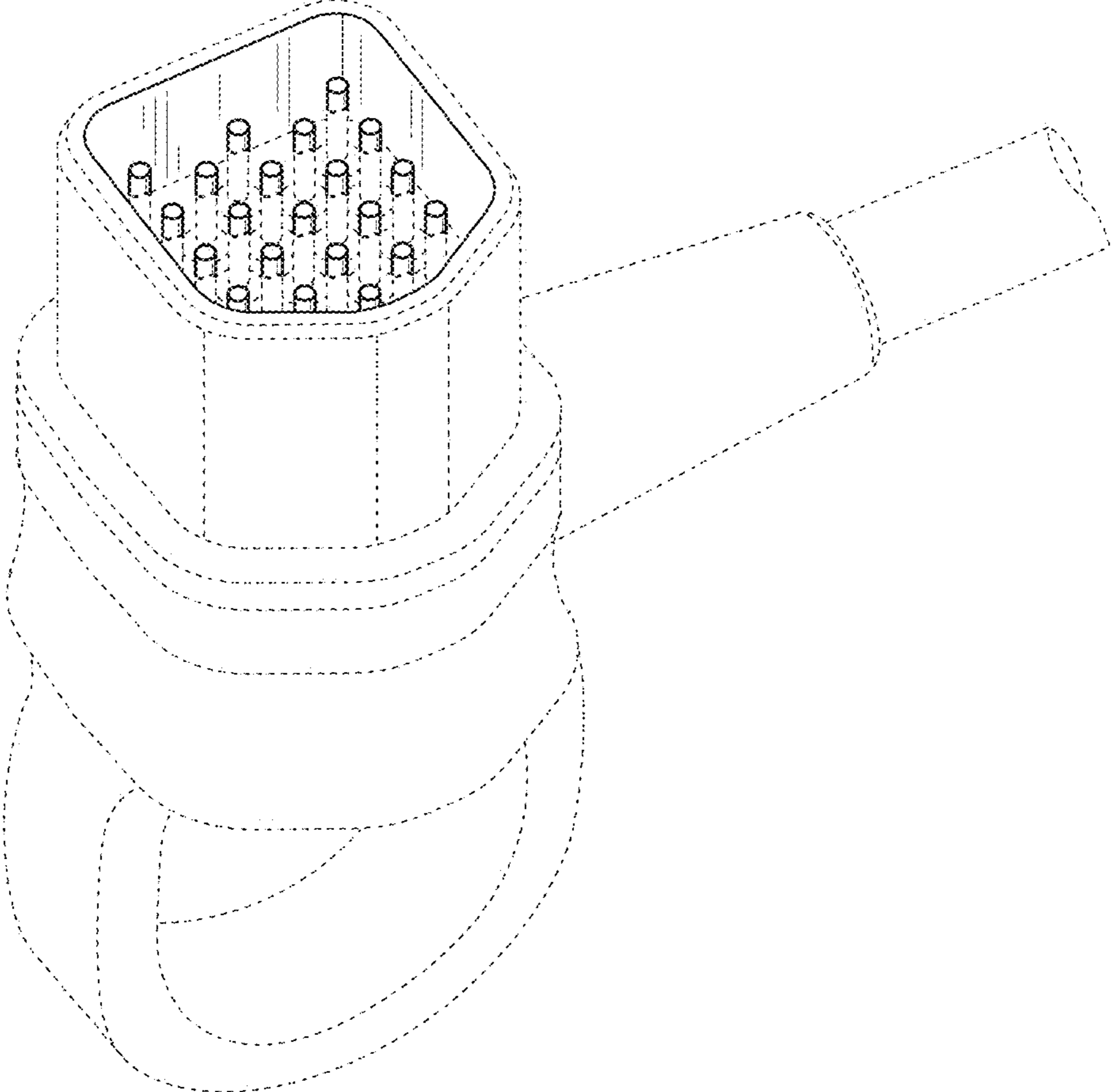
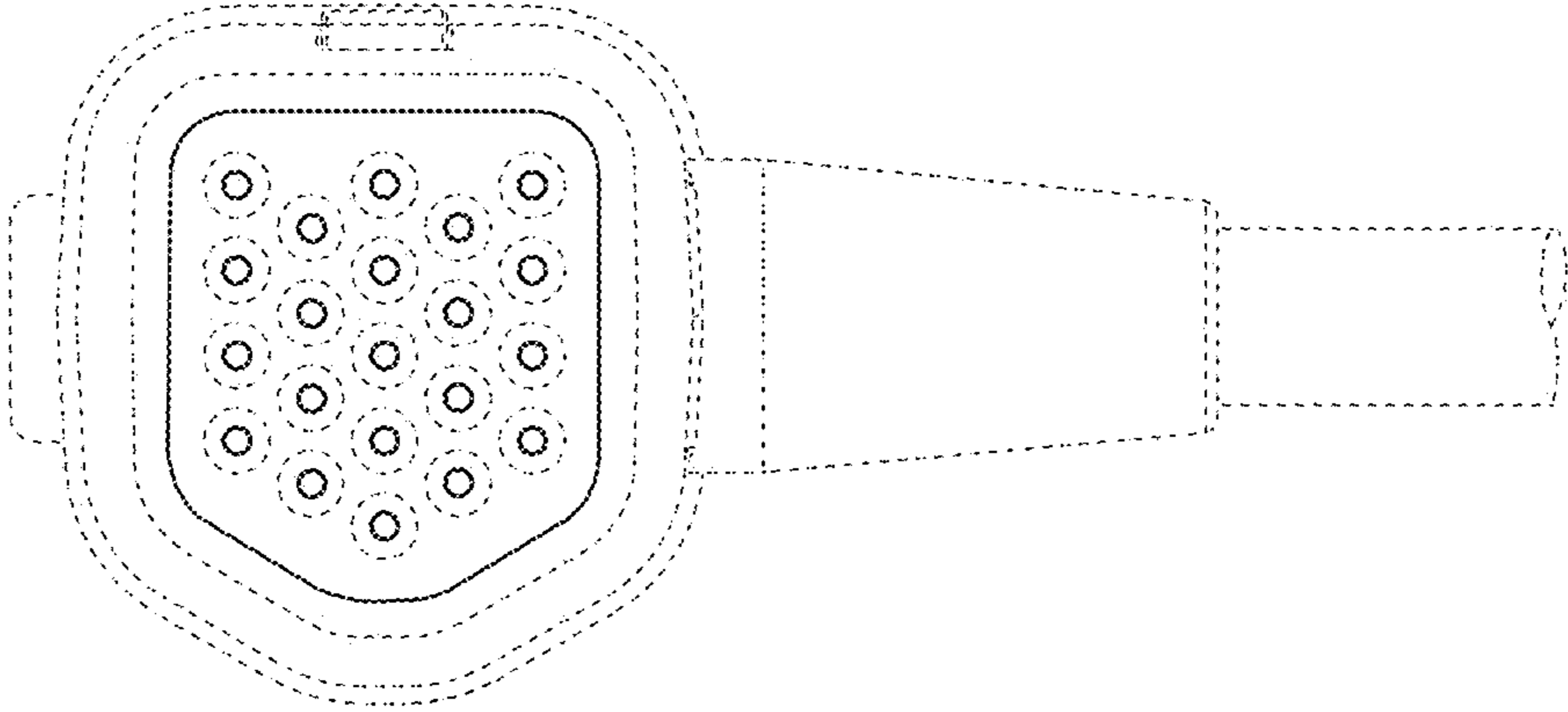


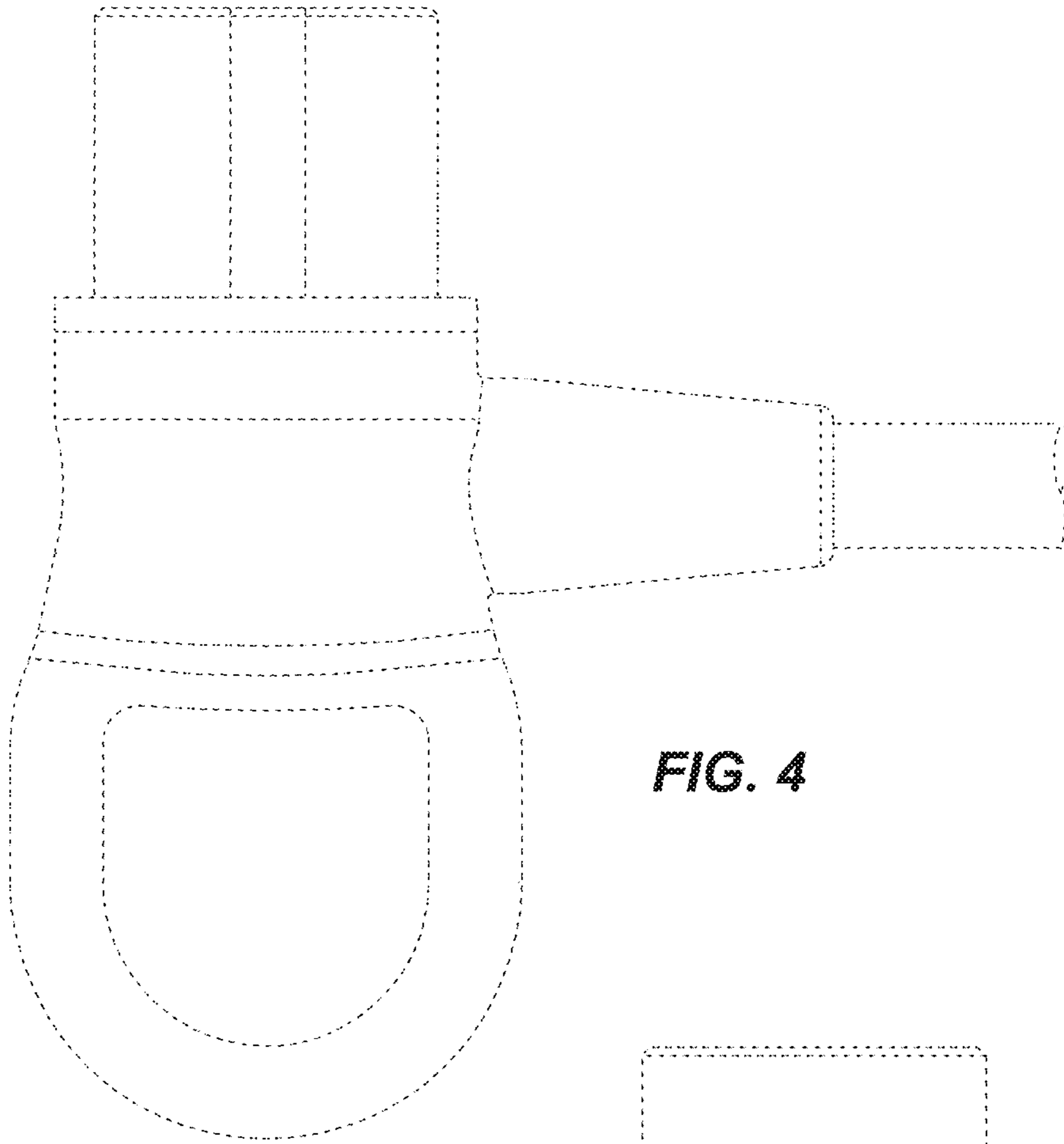
FIG. 1



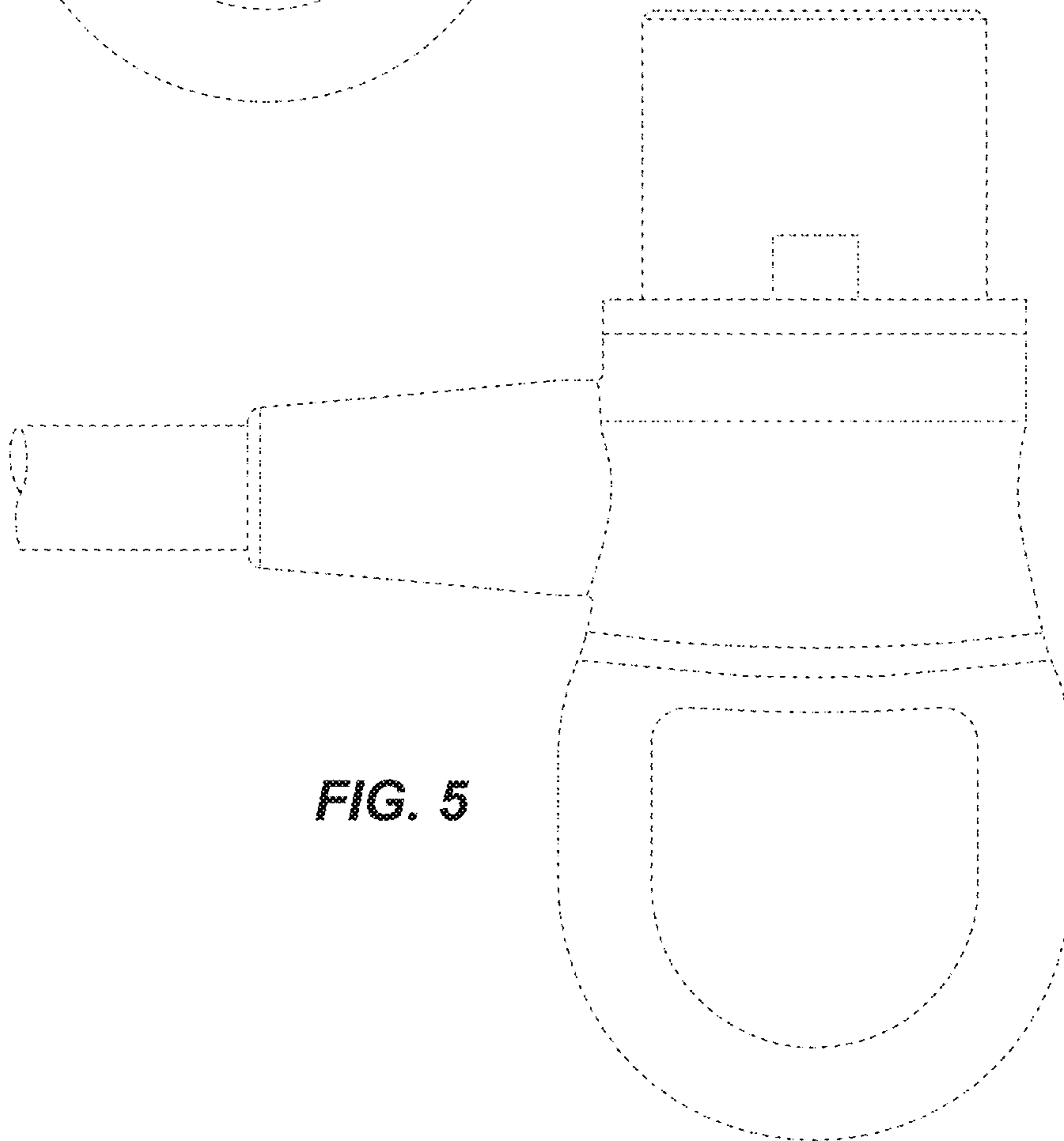
**FIG. 2**



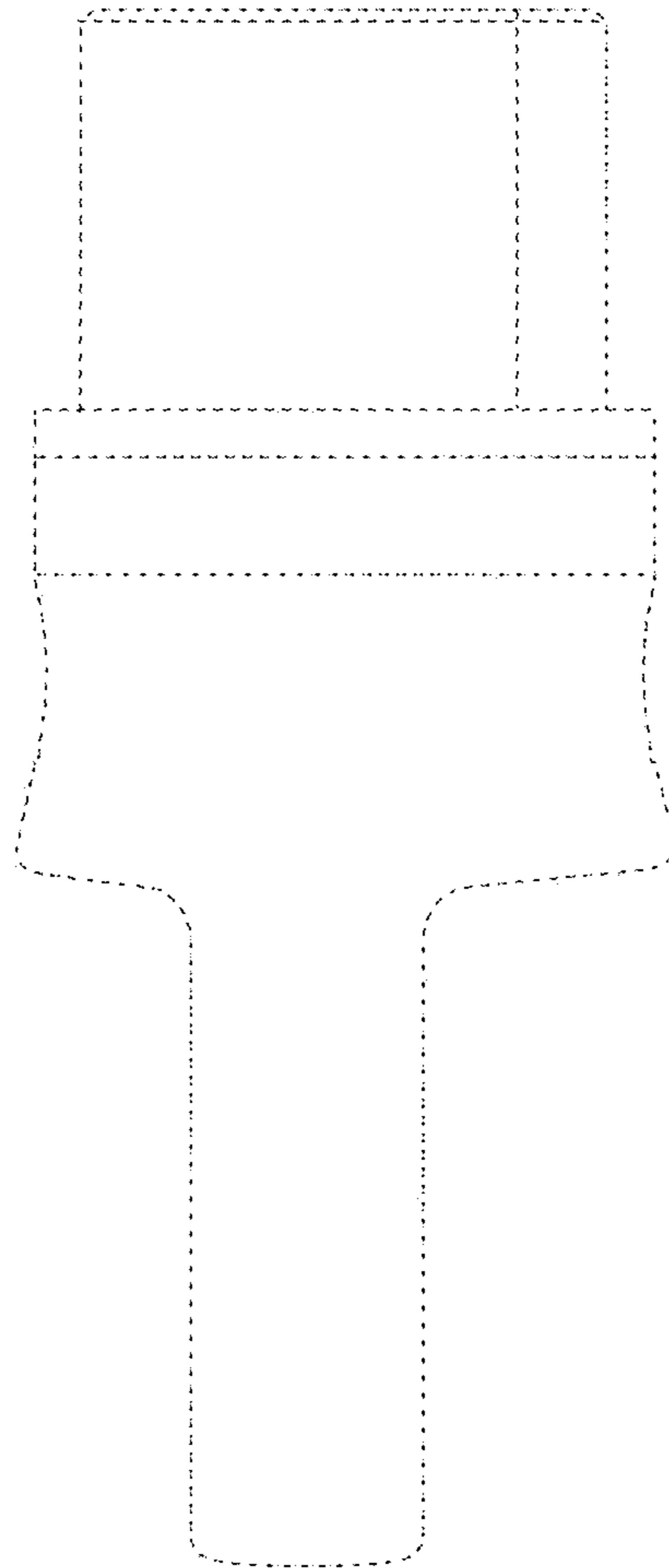
**FIG. 3**



**FIG. 4**



**FIG. 5**



**FIG. 6**