



US00D940656S

(12) **United States Design Patent**  
**Rebull et al.**

(10) **Patent No.:** **US D940,656 S**  
(45) **Date of Patent:** **\*\* Jan. 11, 2022**

(54) **ELECTRICAL ENERGY DISTRIBUTION DEVICE**

(71) Applicant: **SIMON, S.A.U.**, Barcelona (ES)

(72) Inventors: **Adrià Riquè Rebull**, Barcelona (ES);  
**Clara Batiste Mayas**, Barcelona (ES);  
**Marta Portillo Lainez**, Barcelona (ES);  
**Salvi Plaja Miró**, Barcelona (ES)

(73) Assignee: **SIMON, S.A.U.**, Barcelona (ES)

(\*\*) Term: **15 Years**

(21) Appl. No.: **29/681,358**

(22) Filed: **Feb. 25, 2019**

**Related U.S. Application Data**

(62) Division of application No. 35/504,337, filed on Dec. 15, 2017 (U.S. filing date under 35 U.S.C. 384), and having an international filing date of Dec. 15, 2017, now Pat. No. Des. 866,468.

(30) **Foreign Application Priority Data**

Jun. 23, 2017 (EM) ..... 004064558

(51) **LOC (13) Cl.** ..... **13-03**

(52) **U.S. Cl.**  
USPC ..... **D13/123**

(58) **Field of Classification Search**  
USPC ..... D13/123, 139.1–139.4, 137.2, 147, 152  
CPC ..... H01R 13/447; H01R 13/5213; H01R 13/518; H02G 3/383; H02G 3/14; H02G 3/185; H02J 50/40

See application file for complete search history.

(56) **References Cited**

**U.S. PATENT DOCUMENTS**

6,028,267 A \* 2/2000 Byrne ..... H01R 13/518  
174/55  
6,127,630 A \* 10/2000 McKenzie ..... H02G 3/14  
174/58

D437,827 S \* 2/2001 Gershfeld ..... D13/139.4  
6,290,518 B1 \* 9/2001 Byrne ..... H02G 3/185  
16/224  
D463,775 S \* 10/2002 Byrne ..... D13/139.4  
D465,201 S \* 11/2002 Gershfeld ..... D13/139.4  
D472,213 S \* 3/2003 Byrne ..... D13/139.4  
7,045,706 B1 \* 5/2006 Lincoln, III ..... H02G 3/185  
174/482  
D597,960 S \* 8/2009 Dinh ..... D13/152  
7,614,889 B1 \* 11/2009 Black ..... H01R 13/5213  
174/67  
D622,219 S \* 8/2010 Byrne ..... D13/147  
D626,069 S \* 10/2010 Byrne ..... D13/139.4  
D626,070 S \* 10/2010 Byrne ..... D13/139.4  
D639,244 S \* 6/2011 Byrne ..... D13/139.4  
D649,514 S \* 11/2011 Byrne ..... D13/139.4  
D657,315 S \* 4/2012 Feldstein ..... D13/139.4  
D666,556 S \* 9/2012 Byrne ..... D13/139.4  
D682,213 S \* 5/2013 Byrne ..... D13/139.4

(Continued)

*Primary Examiner* — Rhea Shields

(74) *Attorney, Agent, or Firm* — Cantor Colburn LLP

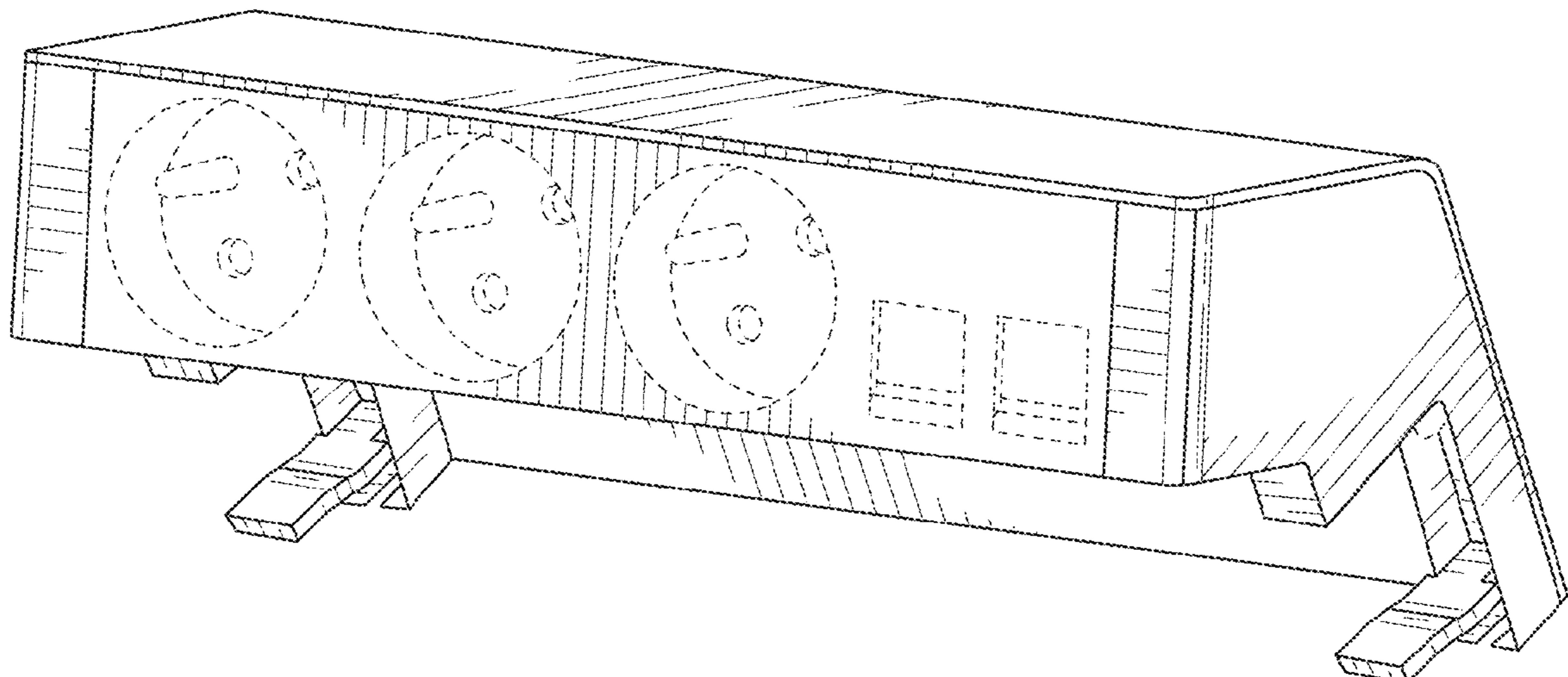
(57) **CLAIM**

The ornamental design for an electrical energy distribution device, as shown and described.

**DESCRIPTION**

FIG. 1 is a right side view of an electrical energy distribution device, showing our new design;  
FIG. 2 is a front view thereof;  
FIG. 3 is a left side view thereof;  
FIG. 4 is a top plan view thereof; and,  
FIG. 5 is a perspective view thereof.  
In the drawings, the broken lines are for the purpose of illustrating portions of the electrical energy distribution device that form no part of the claimed design.

**1 Claim, 5 Drawing Sheets**



(56)

**References Cited**

U.S. PATENT DOCUMENTS

D685,329	S *	7/2013	Byrne	.....	D13/139.4
D709,031	S *	7/2014	Byrne	.....	D13/139.4
D715,740	S *	10/2014	Byrne	.....	D13/139.4
D716,232	S *	10/2014	Byrne	.....	D13/139.4
D755,128	S *	5/2016	Page	.....	D13/139.4
D759,596	S *	6/2016	Byrne	.....	D13/137.2
D799,427	S *	10/2017	Newhouse	.....	D13/139.4
D811,337	S *	2/2018	Byrne	.....	D13/137.2
D839,200	S *	1/2019	Lee	.....	D13/139.4
D866,468	S *	11/2019	Rebull	.....	D13/123
D867,297	S *	11/2019	Lu	.....	D13/139.1
D877,701	S *	3/2020	Byrne	.....	D13/139.4
D883,933	S *	5/2020	Byrne	.....	D13/139.4
D887,984	S *	6/2020	Byrne	.....	D13/139.4
10,673,191	B2 *	6/2020	Byrne	.....	H02J 50/40
2003/0178421	A1 *	9/2003	Almond	.....	H02G 3/383
					220/3.8
2004/0147147	A1 *	7/2004	Griepentrog	.....	H01R 13/447
					439/131
2012/0200989	A1 *	8/2012	Byrne	.....	H01R 13/447
					361/641

\* cited by examiner

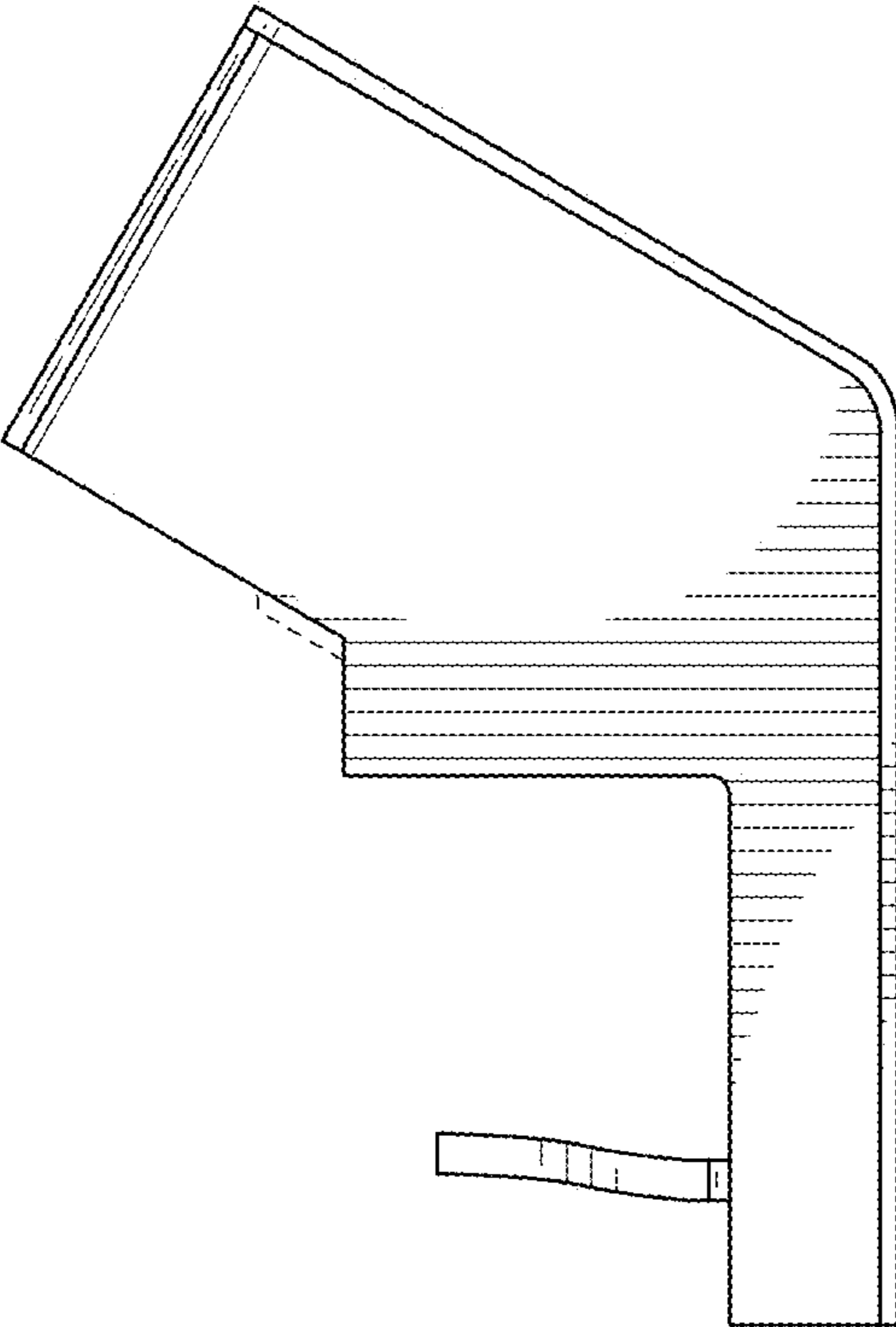


FIG. 1

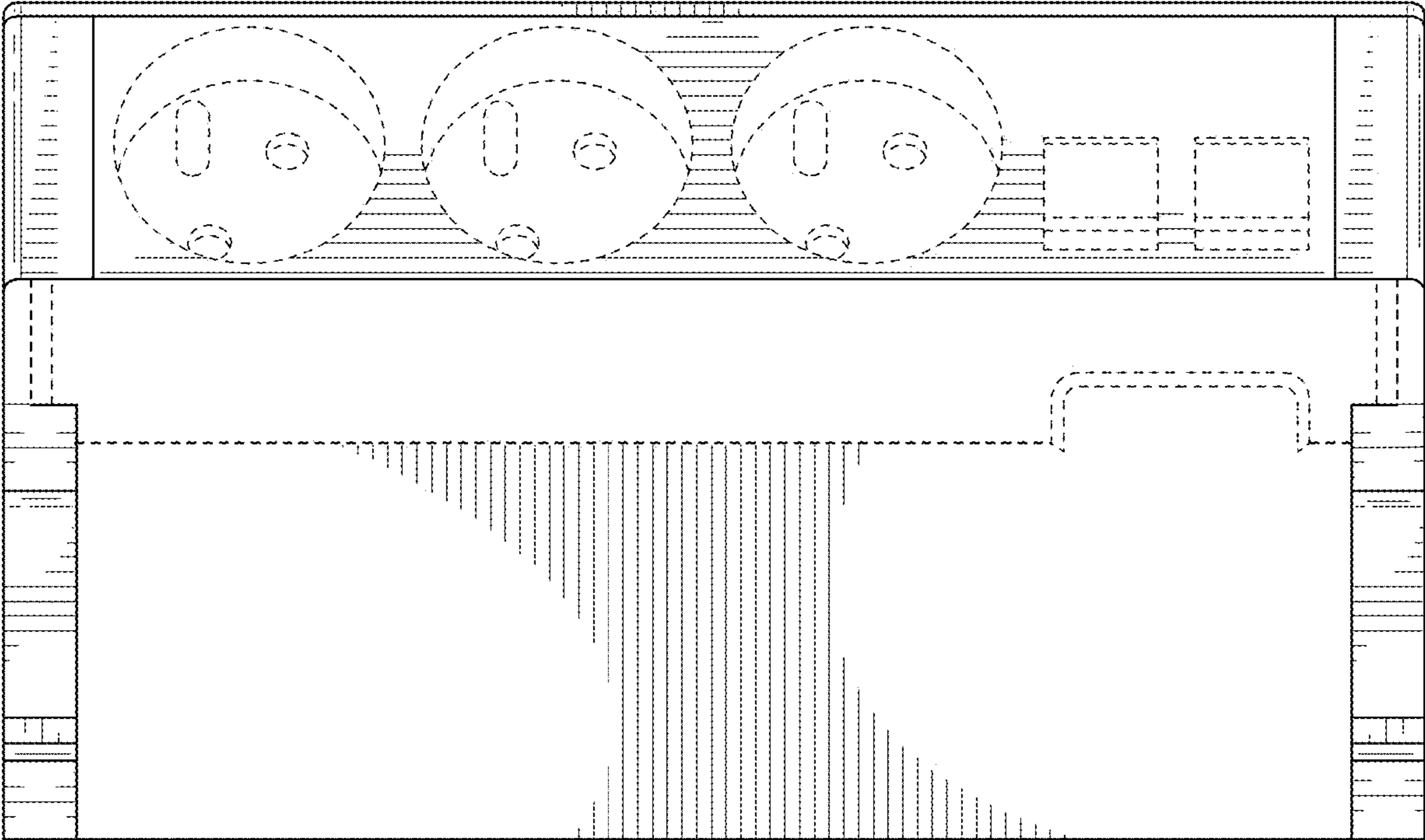


FIG. 2

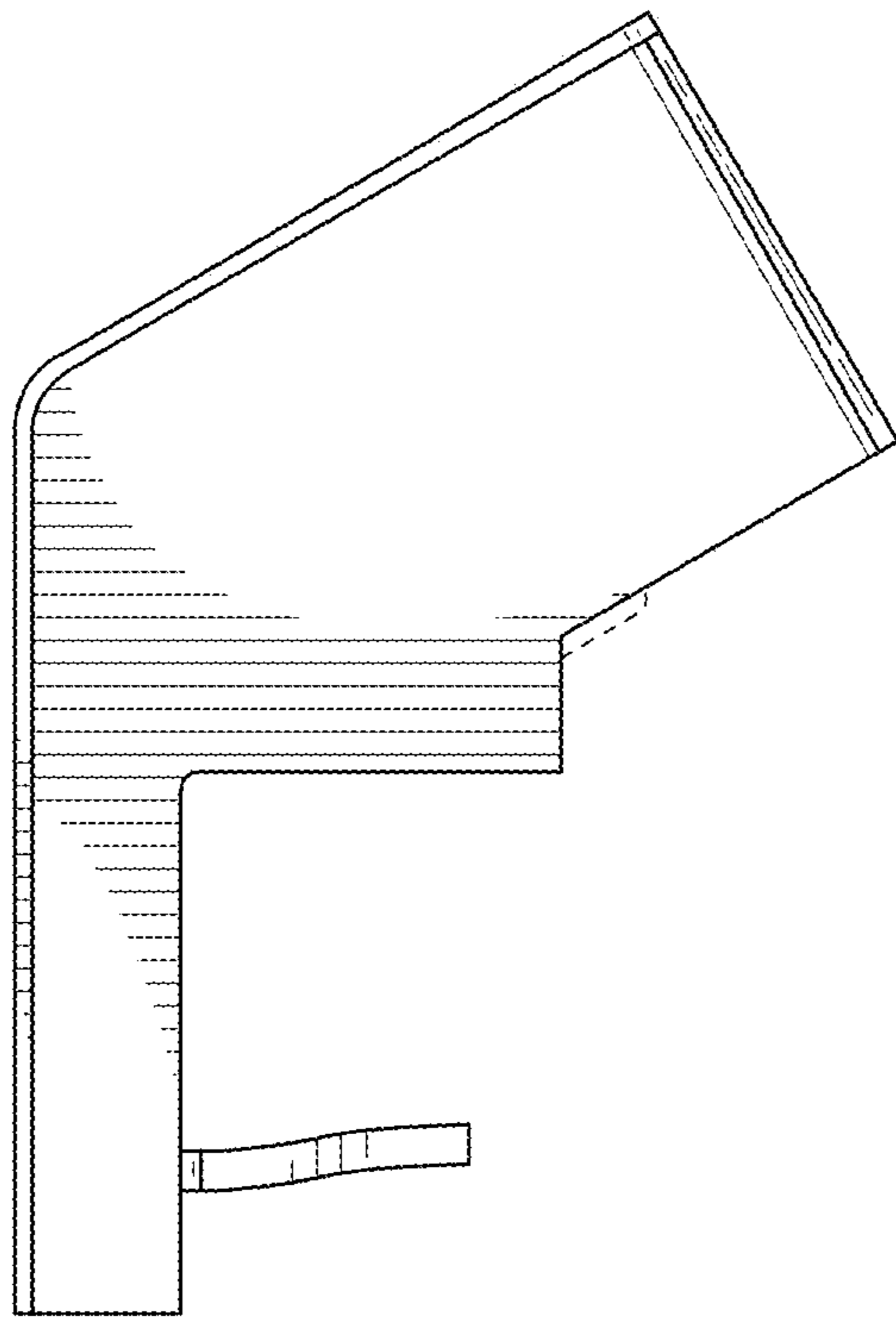


FIG. 3

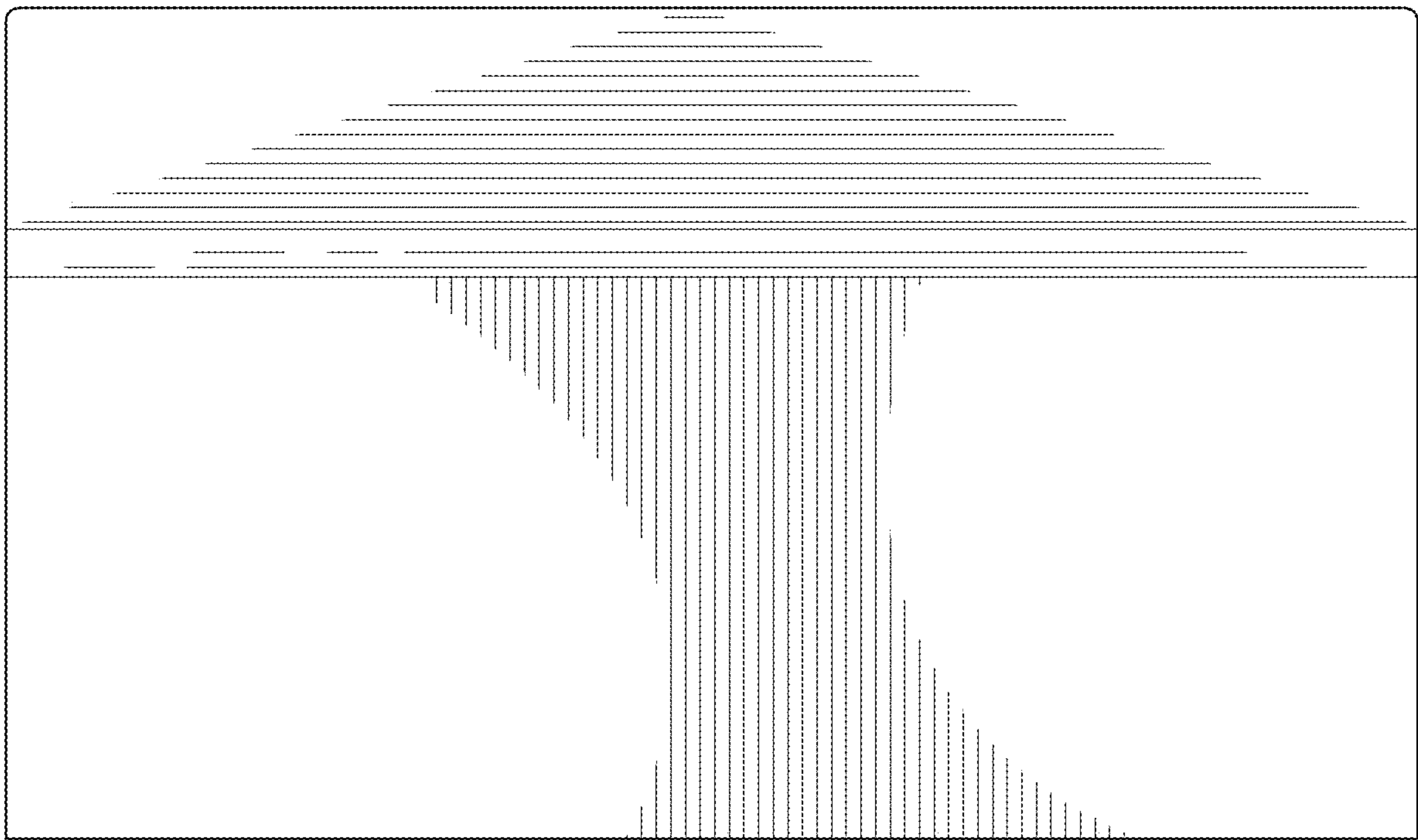


FIG. 4

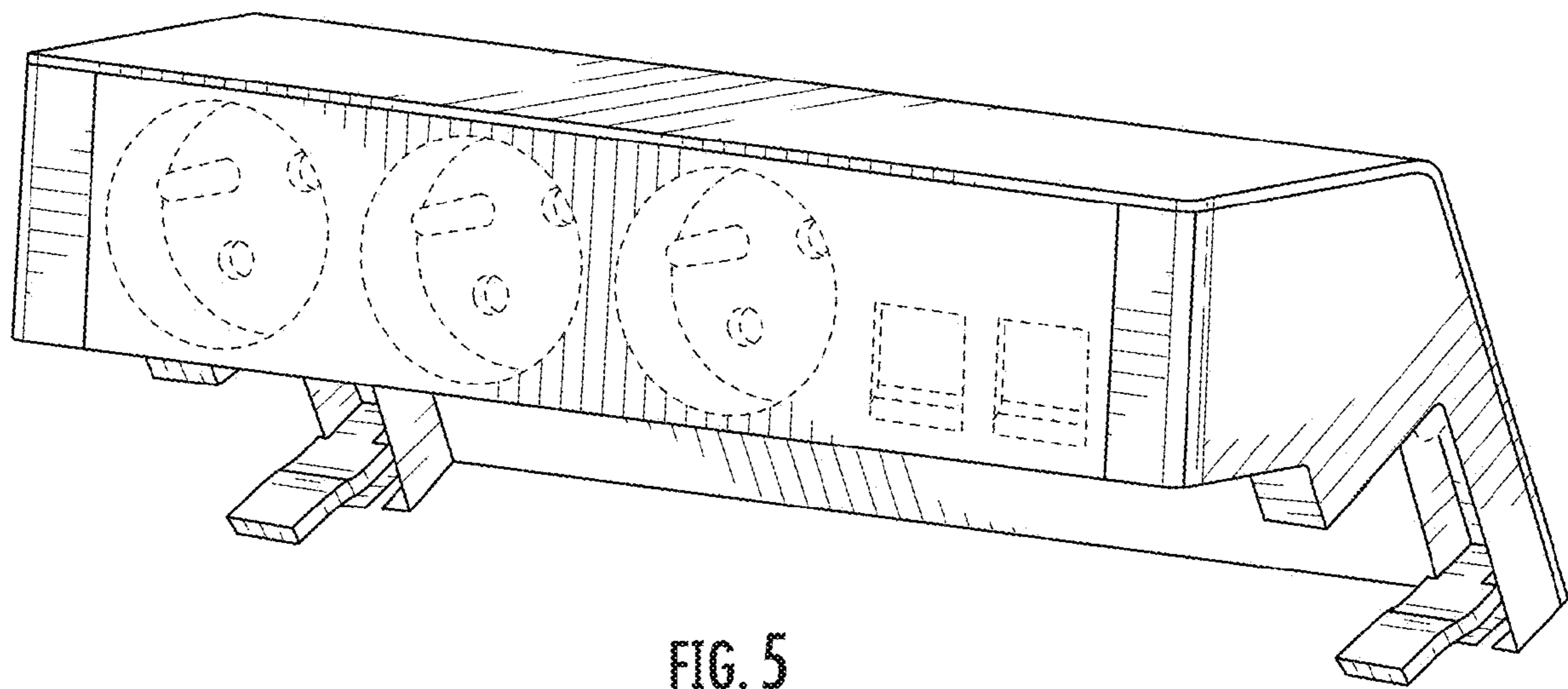


FIG. 5