



US00D940655S

(12) **United States Design Patent**
Murillo, Jr.

(10) **Patent No.:** **US D940,655 S**
(45) **Date of Patent:** **** Jan. 11, 2022**

- (54) **VEHICLE BATTERY HOLDER**
- (71) Applicant: **Victor Murillo, Jr.**, Jurupa Valley, CA (US)
- (72) Inventor: **Victor Murillo, Jr.**, Jurupa Valley, CA (US)
- (**) Term: **15 Years**
- (21) Appl. No.: **29/722,107**
- (22) Filed: **Jan. 27, 2020**
- (51) **LOC (13) Cl.** **13-02**
- (52) **U.S. Cl.**
USPC **D13/119**
- (58) **Field of Classification Search**
USPC D13/103, 104, 107, 108, 110, 119, 120,
D13/149, 184, 199; D10/77
CPC H01M 220/20; H01M 50/20; H01M 10/48;
B60R 16/04
See application file for complete search history.

D561,097 S 2/2008 Koeske
D588,060 S * 3/2009 Okuda D13/119
D611,413 S 3/2010 Brockington
8,632,902 B2 * 1/2014 Wendorf H01M 50/20
429/97

* cited by examiner

Primary Examiner — Jennifer O King

(74) *Attorney, Agent, or Firm* — Kirk A. Buhler; Buhler & Associates Patenting

(57) **CLAIM**

The ornamental design for a vehicle battery holder, as shown and described.

DESCRIPTION

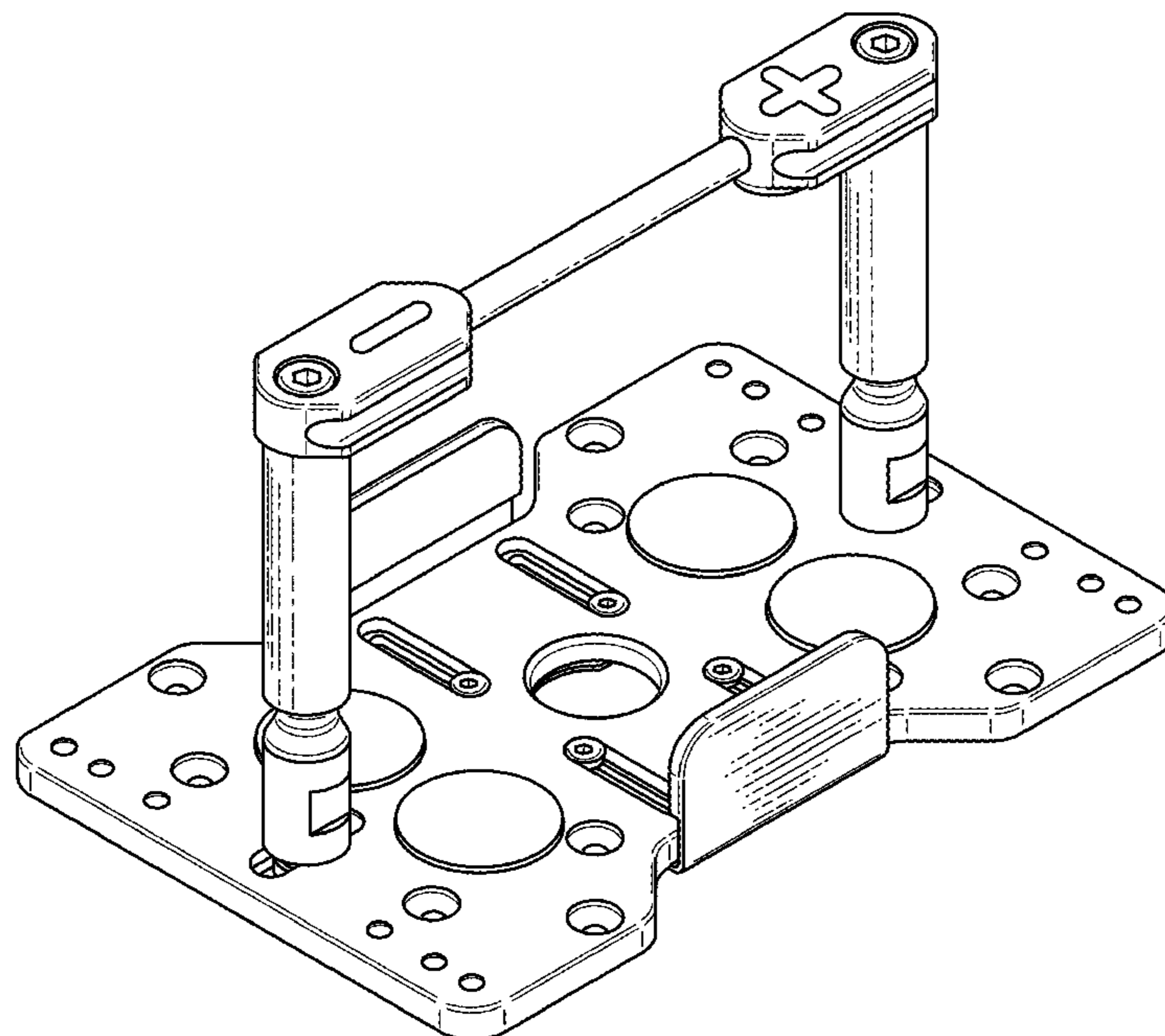
FIG. 1 is a top perspective view of a vehicle battery holder, showing my new design;
FIG. 2 is a top plan view thereof;
FIG. 3 is a bottom view thereof;
FIG. 4 is a left side elevation view, the right side elevation view being a mirror image thereof;
FIG. 5 is a front elevation view, the rear elevation view being a mirror image thereof;
FIG. 6 is a top perspective view of an alternate embodiment;
FIG. 7 is a top plan view thereof;
FIG. 8 is a bottom view thereof;
FIG. 9 is a left side elevation view, the right side elevation view being a mirror image thereof; and,
FIG. 10 is a front elevation view, the rear elevation view being a mirror image thereof.
The broken lines in FIG. 3 depict environmental subject matter and form no part of the claimed design.

(56) **References Cited**

U.S. PATENT DOCUMENTS

D106,423 S * 10/1937 Brodeen D13/119
3,557,895 A * 1/1971 Thomas H01M 50/20
180/68.5
D222,804 S * 1/1972 Delzer D13/119
3,826,115 A * 7/1974 Davis B60R 16/04
70/258
4,327,809 A 5/1982 Fenstermaker
4,607,904 A * 8/1986 D'Alessandro H01R 31/02
439/476.1
4,754,827 A 7/1988 Hirabayashi
D321,856 S 11/1991 Whitley, II et al.
5,547,160 A * 8/1996 Johnson B60R 16/04
248/503
7,014,002 B2 3/2006 Mizuta

1 Claim, 10 Drawing Sheets



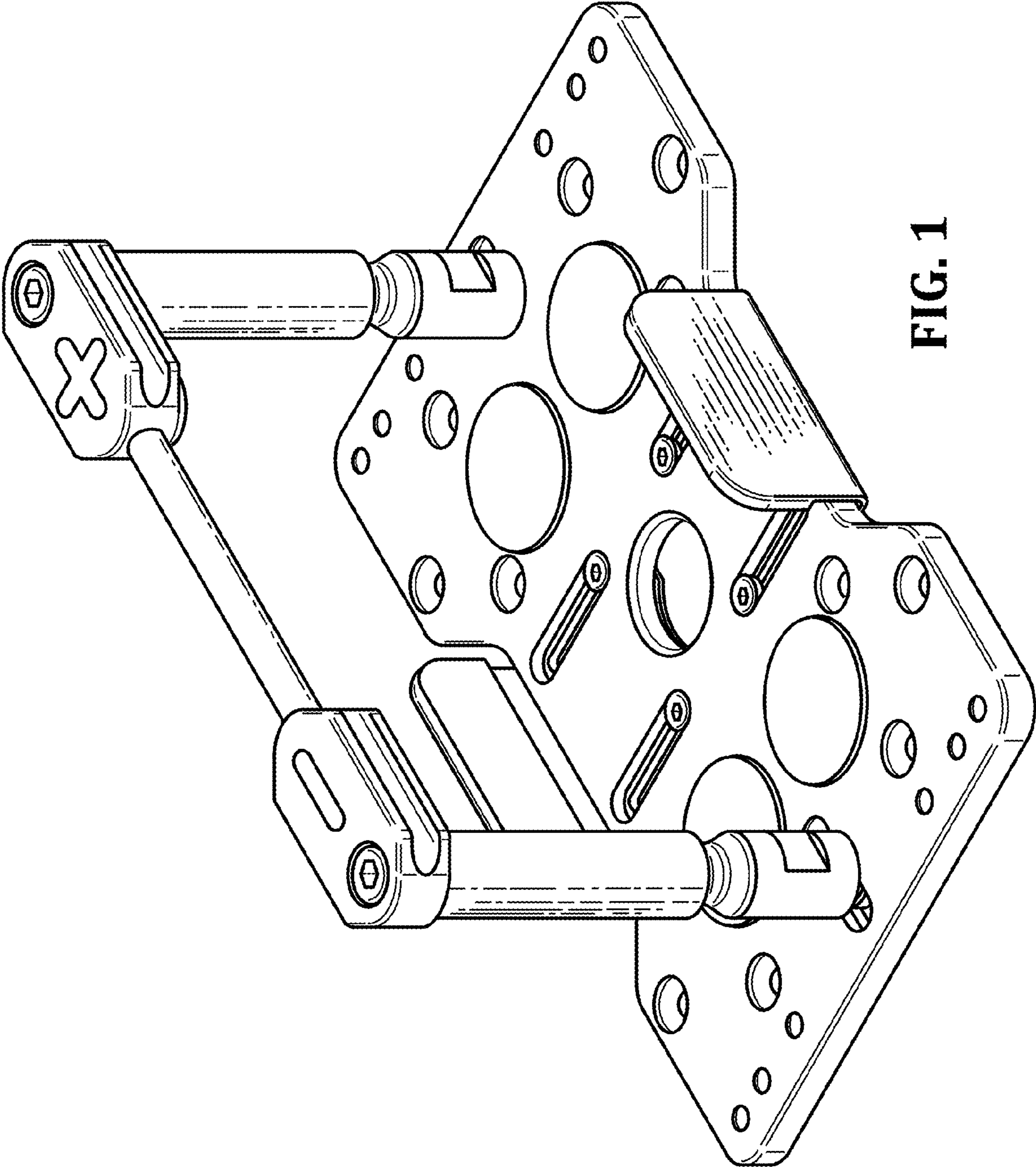


FIG. 1

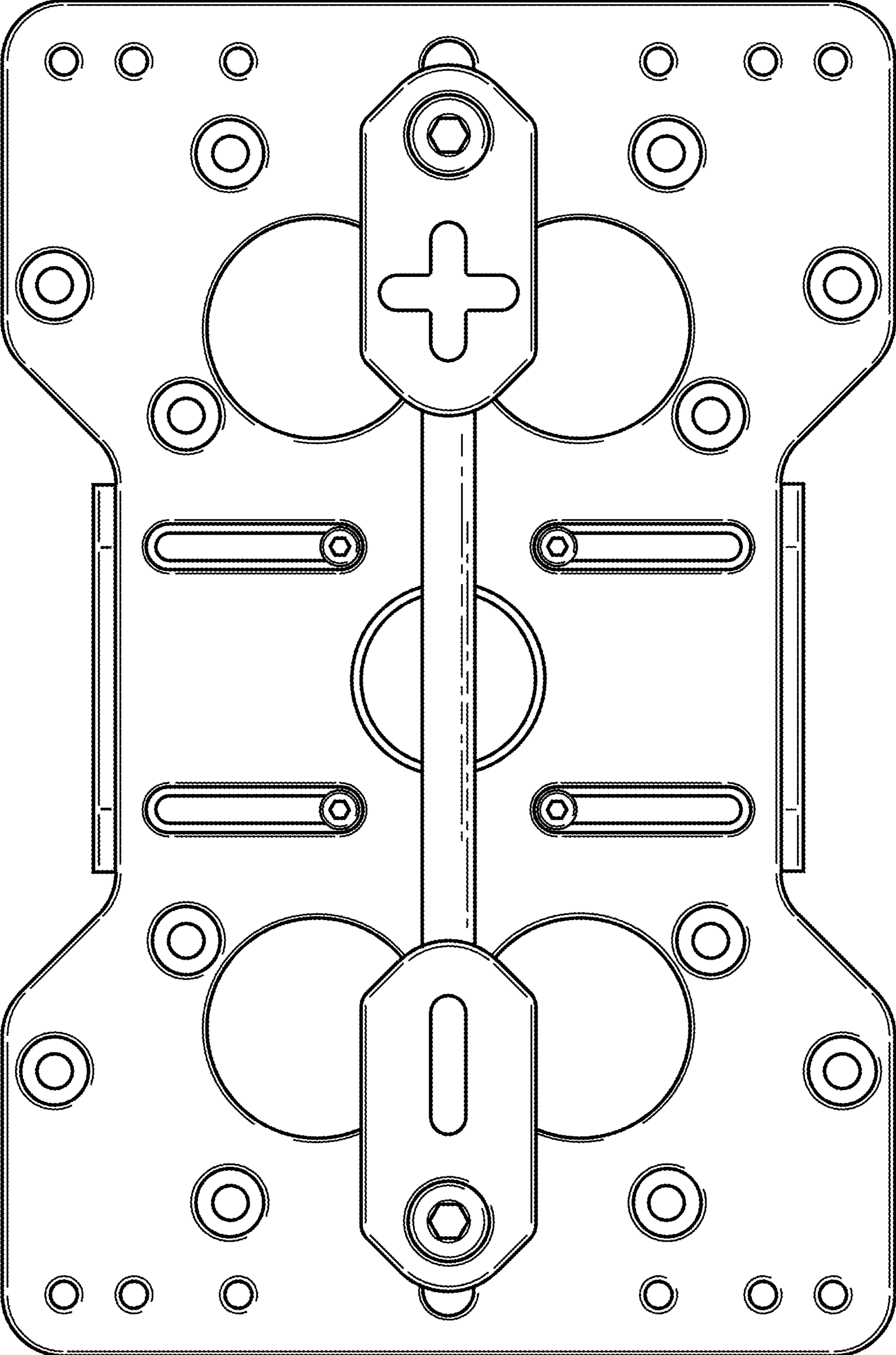


FIG. 2

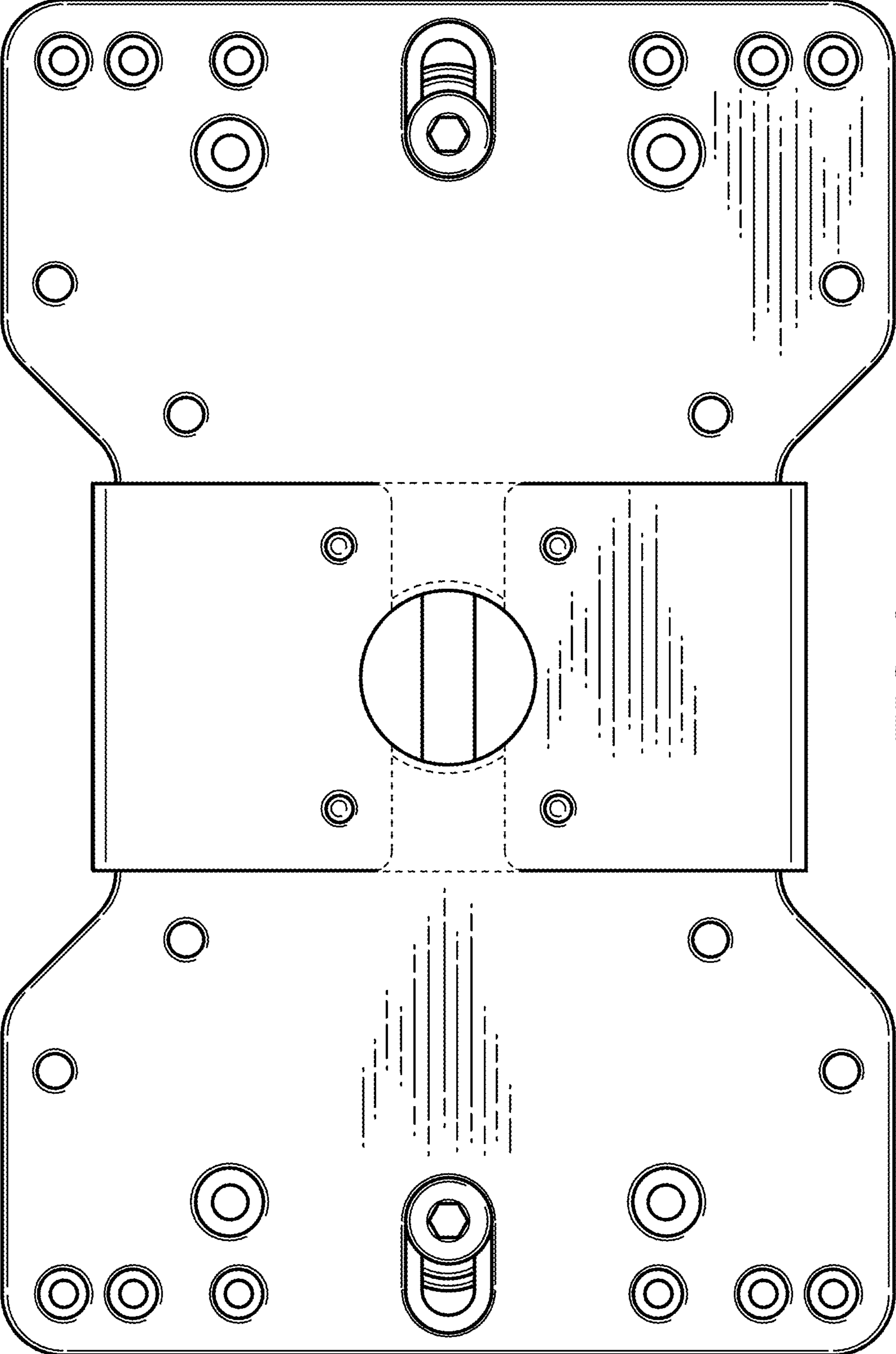


FIG. 3

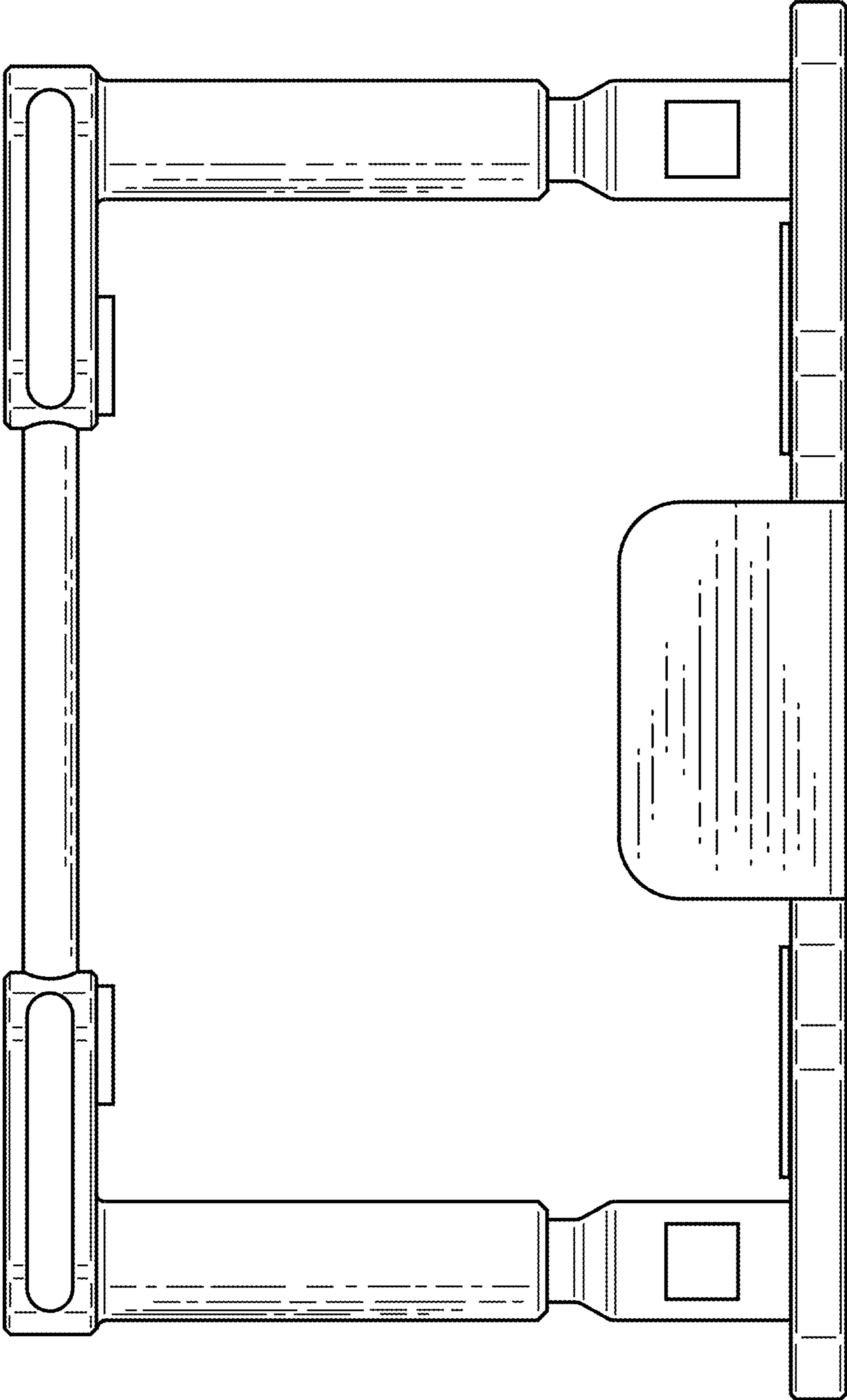


FIG. 4

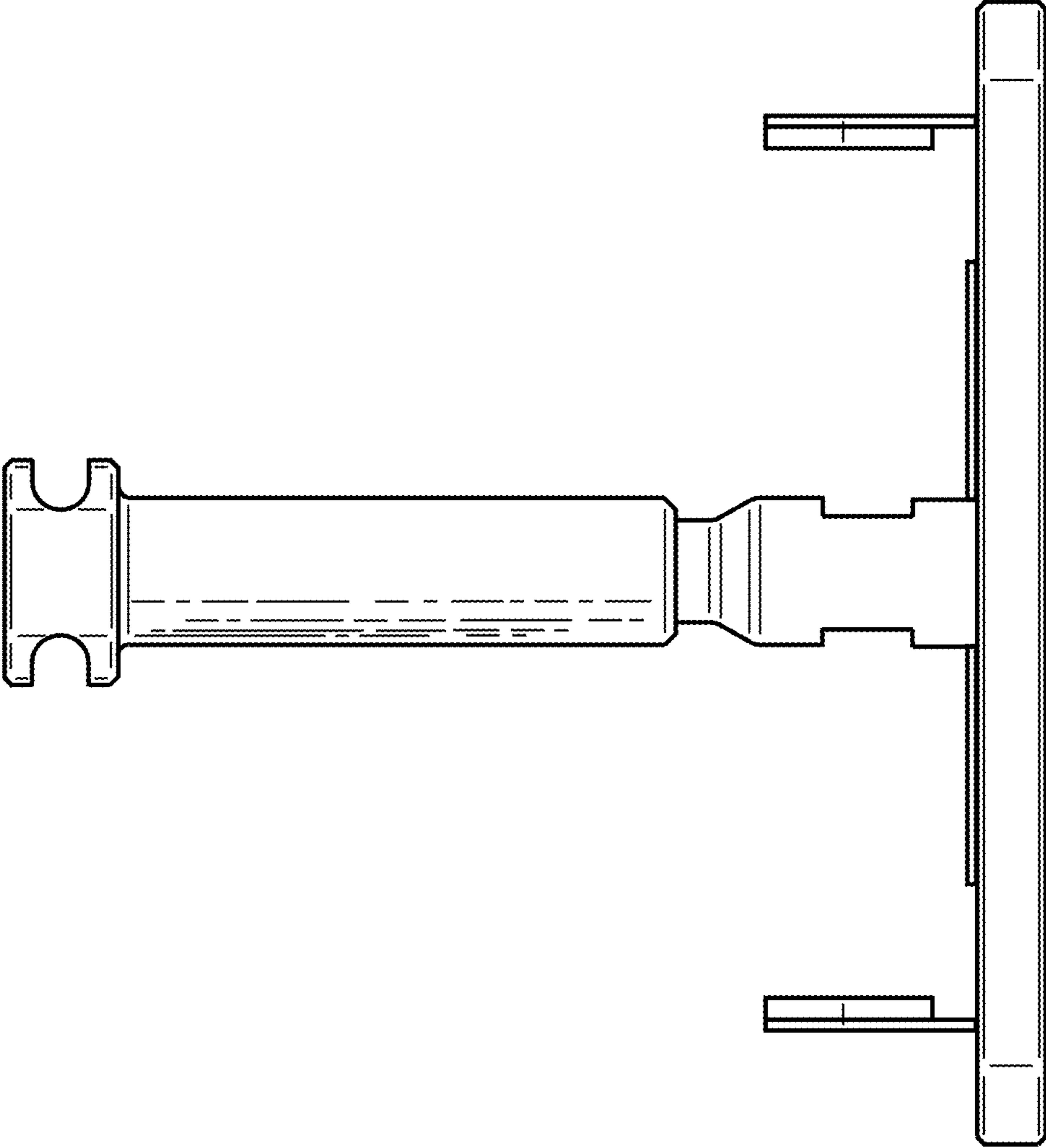


FIG. 5

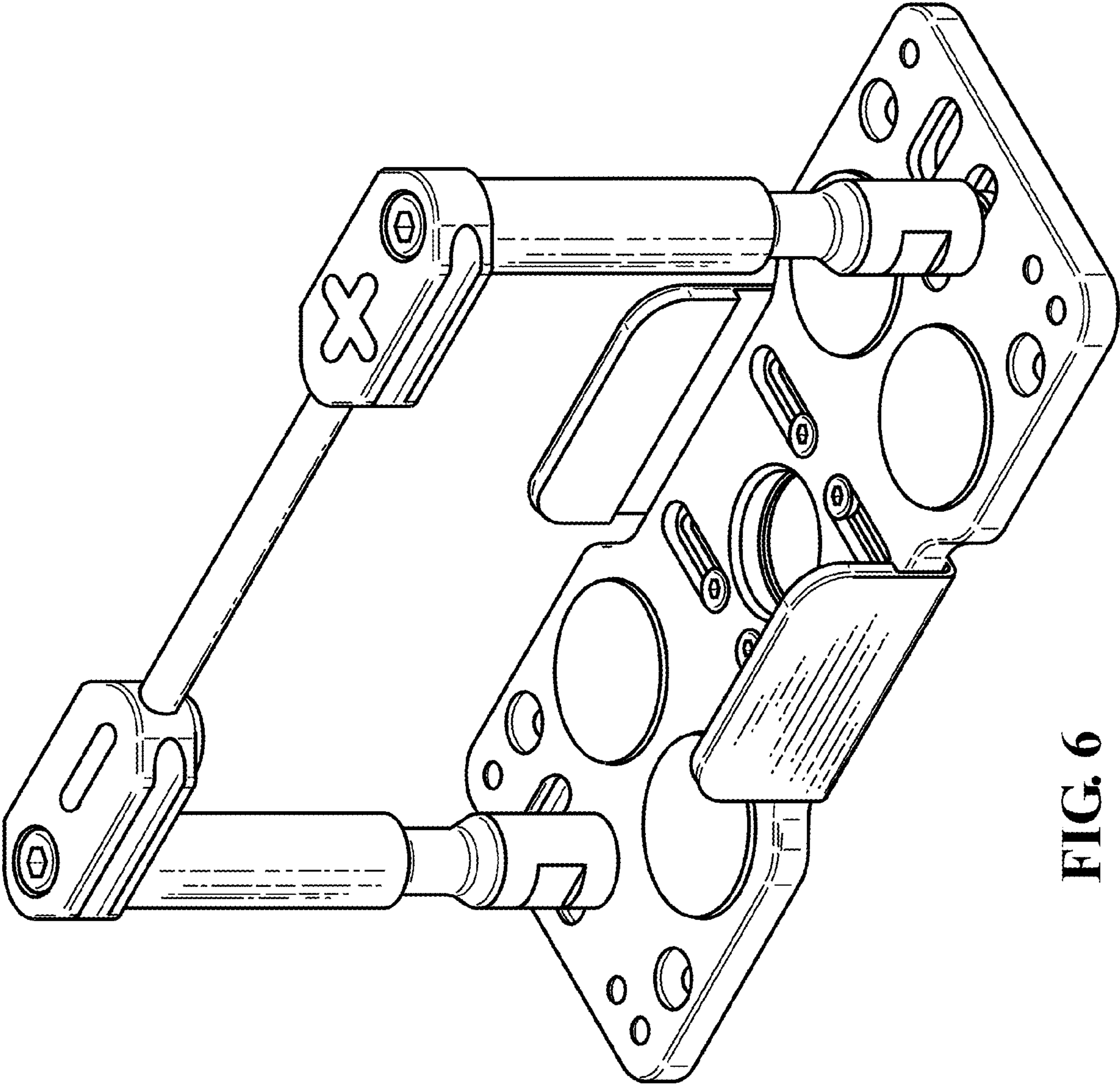


FIG. 6

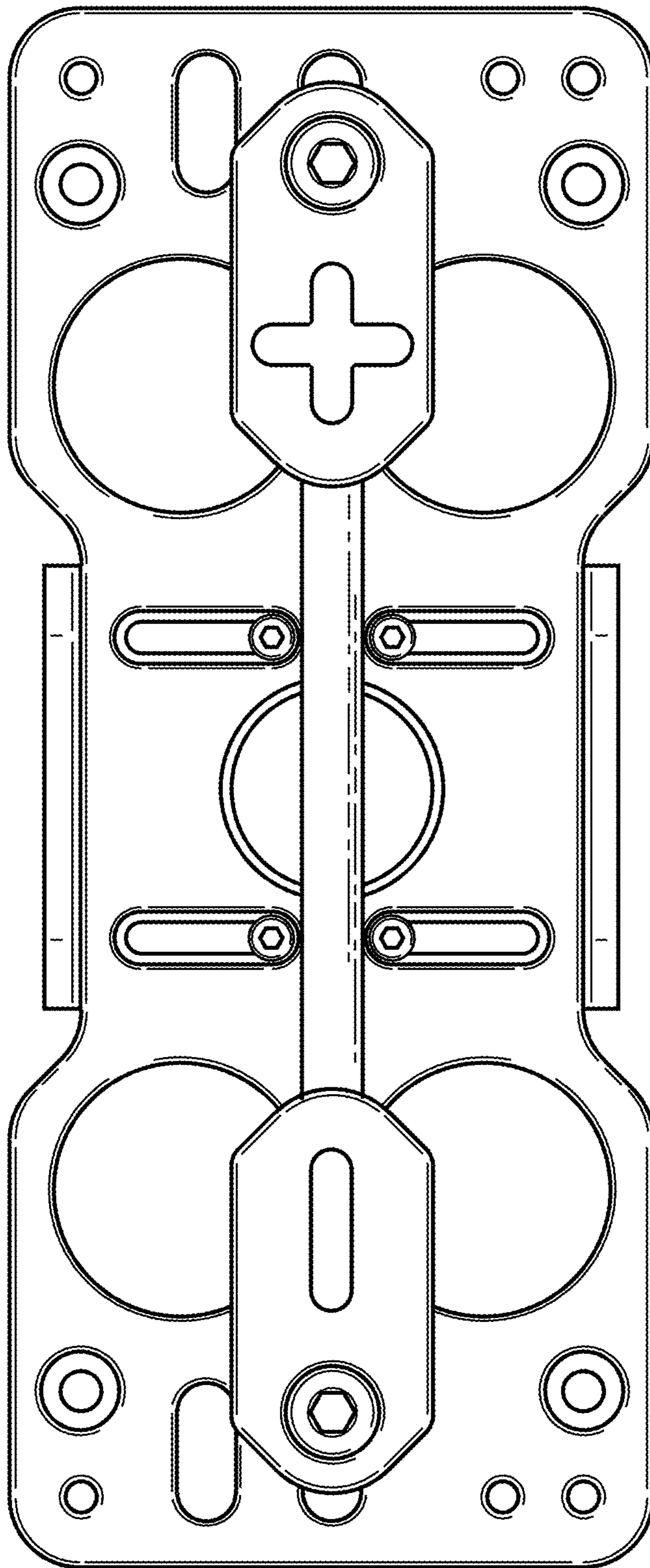


FIG. 7

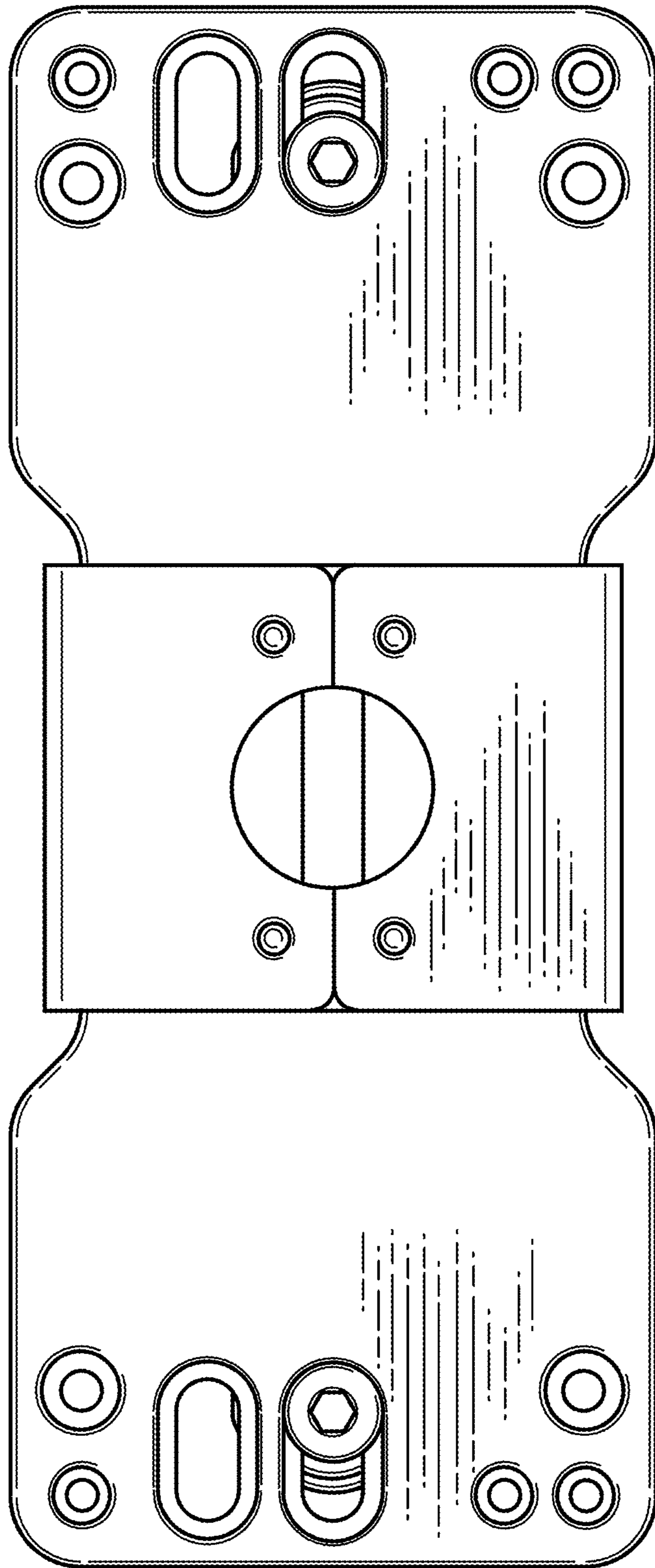


FIG. 8

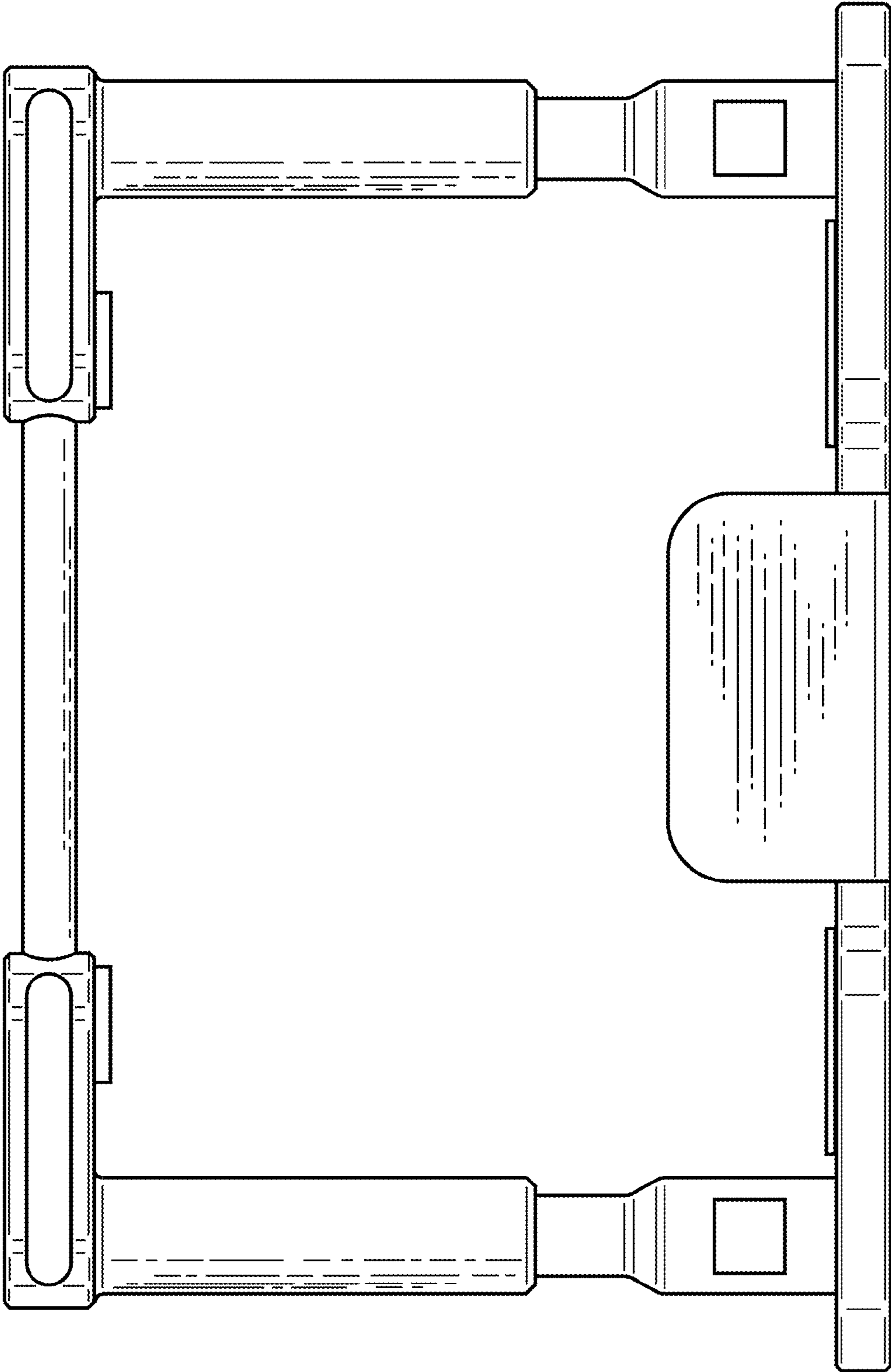


FIG. 9

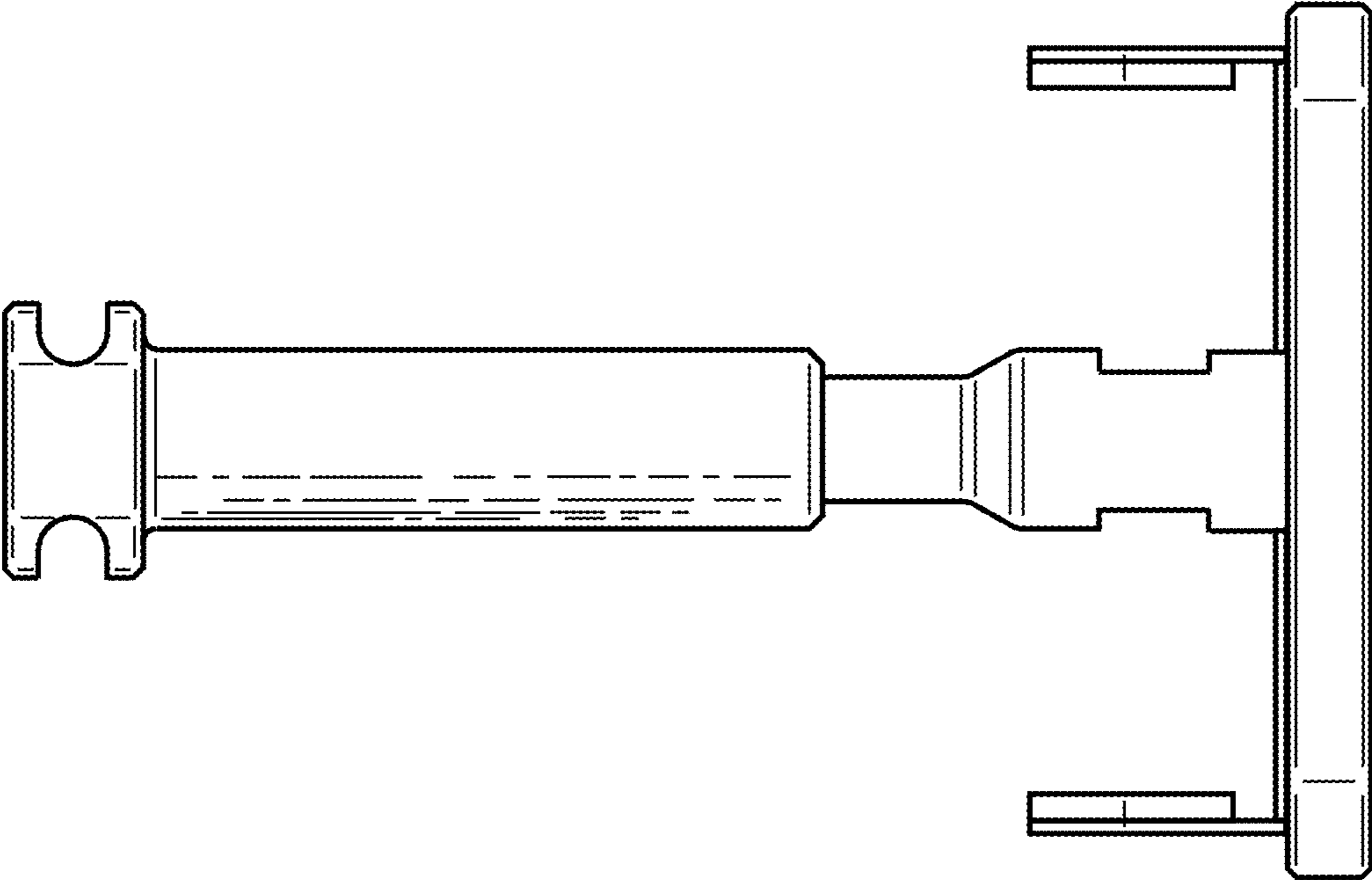


FIG. 10