



US00D940650S

(12) **United States Design Patent**  
**Phani Kumar et al.**

(10) **Patent No.:** **US D940,650 S**  
(45) **Date of Patent:** **\*\* Jan. 11, 2022**

(54) **BATTERY**

(71) Applicant: **Honeywell International Inc.**, Morris Plains, NJ (US)

(72) Inventors: **Garaga Phani Kumar**, Hyderabad (IN); **Julius Jancarik**, Drasov (CZ); **Zoltan Alexi**, Brno (CZ)

(73) Assignee: **HONEYWELL INTERNATIONAL INC.**, Morris Plains, NJ (US)

(\*\*) Term: **15 Years**

(21) Appl. No.: **29/736,997**

(22) Filed: **Jun. 4, 2020**

(51) **LOC (13) Cl.** ..... **13-02**

(52) **U.S. Cl.**  
USPC ..... **D13/103**

(58) **Field of Classification Search**  
USPC ..... D13/102-106, 118, 199, 184  
CPC ..... Y02E 60/12; Y02E 60/122; Y02E 60/124;  
Y02E 60/50; H01M 2/02; H01M 2/022;  
H01M 2/0207; H01M 2/0212; H01M  
2/1061; H01M 2/1022; H01M 2/1055;  
H01M 2/1066; H01M 2/105; H01M  
2/204; H01M 10/4257; H01M 10/0436;  
H01M 10/48

See application file for complete search history.

(56) **References Cited**

**U.S. PATENT DOCUMENTS**

4,904,549 A 2/1990 Goodwin et al.  
7,429,430 B2 9/2008 Mooty et al.  
D742,818 S \* 11/2015 Lin ..... D13/103  
D790,454 S \* 6/2017 Lee ..... D13/103  
D802,528 S \* 11/2017 Zhang ..... D13/103  
D873,766 S \* 1/2020 Ansehn ..... D13/103

D908,612 S \* 1/2021 Sexton ..... D13/107  
D922,938 S \* 6/2021 Sexton ..... D13/103  
D922,941 S \* 6/2021 Antonio ..... D13/103

(Continued)

**FOREIGN PATENT DOCUMENTS**

EP 1645705 A1 4/2006  
EP 3228288 A1 10/2017

(Continued)

**OTHER PUBLICATIONS**

gotstogo.com, "Snap Fit Design", [online] retrieved from the Internet Apr. 20, 2020, <[http://www.gotstogo.com/misc/engineering\\_info/snap\\_design.htm](http://www.gotstogo.com/misc/engineering_info/snap_design.htm)>, 7 pages.

(Continued)

*Primary Examiner* — Christy Nemeth

(74) *Attorney, Agent, or Firm* — Alston & Bird LLP

(57) **CLAIM**

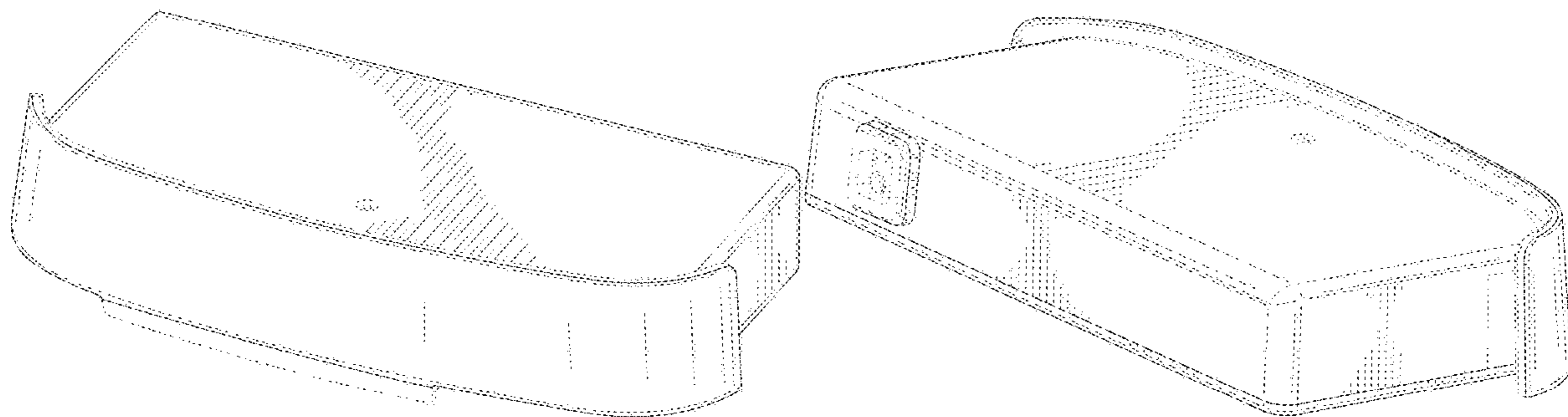
We claim the ornamental design for a battery, as shown and described.

**DESCRIPTION**

FIG. 1 is a perspective view of a battery in accordance with the new design;  
FIG. 2 is a right side elevation view thereof;  
FIG. 3 is a left side elevation view thereof;  
FIG. 4 is a front elevation view thereof;  
FIG. 5 is a rear elevation view thereof;  
FIG. 6 is a bottom plan view thereof;  
FIG. 7 is a top plan view thereof;  
FIG. 8 is a bottom, front perspective view thereof.  
FIG. 9 is a bottom, right side perspective view thereof; and,  
FIG. 10 is a top, rear perspective view thereof.

The broken lines adjacent shaded areas illustrate the bounds of the claimed design and form no part of the claimed design. All other broken lines illustrate portions of the battery that form no part of the claimed design.

**1 Claim, 8 Drawing Sheets**



(56)

**References Cited**

U.S. PATENT DOCUMENTS

D928,080 S \* 8/2021 Kim ..... D13/103  
D928,698 S \* 8/2021 Kim ..... D13/103  
2012/0276428 A1 11/2012 Pendry

FOREIGN PATENT DOCUMENTS

WO 2009/137770 A2 11/2009  
WO 2019/060572 A1 3/2019

OTHER PUBLICATIONS

“Battery Pack for Traveler Portable Nebulizer Systems.” Direct Home Medical (5 pages), accessed May 27, 2020, retrieved from the internet [www.directhomemedical.com/cart/merchant.mvc?screen=PROD&Product\\_Code=6910d-601-battery-traveler-compressor-nebulizer&Store\\_Code=DHM&gclid=EA1alQobChMly4H6\\_MrU6QIVAoblCh11xACrEAQYAyABEgldovD\\_BwE](http://www.directhomemedical.com/cart/merchant.mvc?screen=PROD&Product_Code=6910d-601-battery-traveler-compressor-nebulizer&Store_Code=DHM&gclid=EA1alQobChMly4H6_MrU6QIVAoblCh11xACrEAQYAyABEgldovD_BwE) on Sep. 3, 2021.

Extended European Search Report issued in European Application No. 21177332.0 dated Oct. 25, 2021, 10 pages.

\* cited by examiner

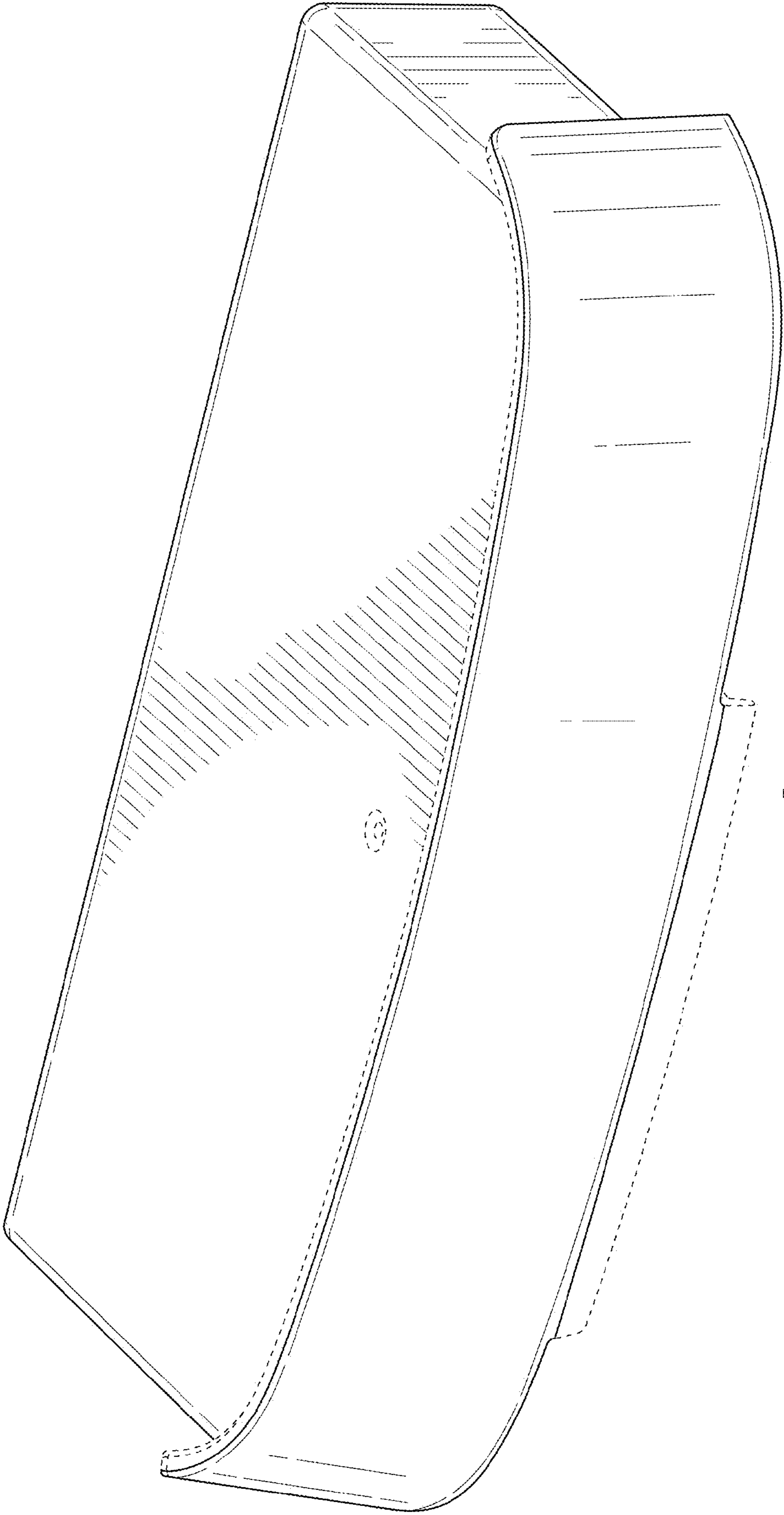


FIG. 1

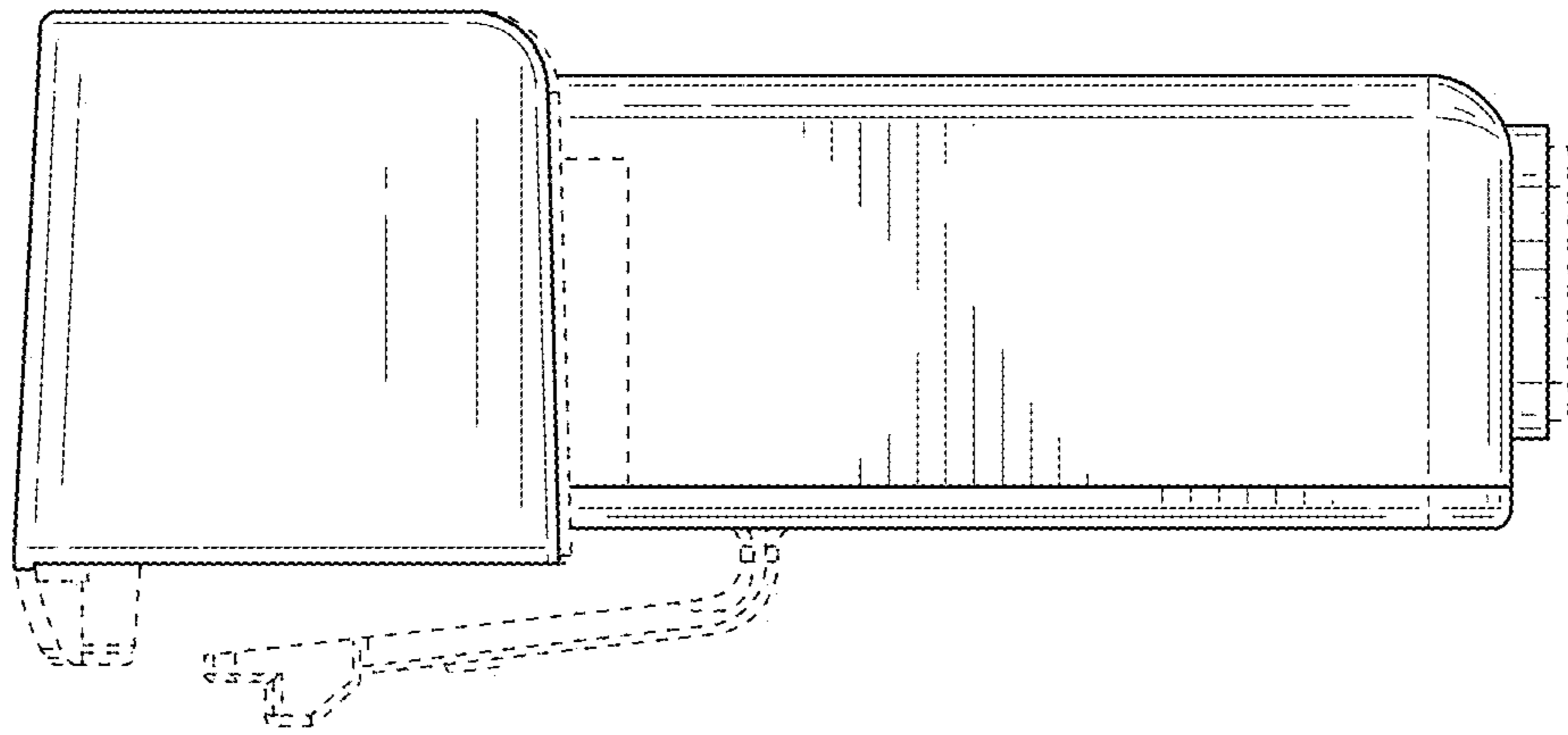


FIG. 2

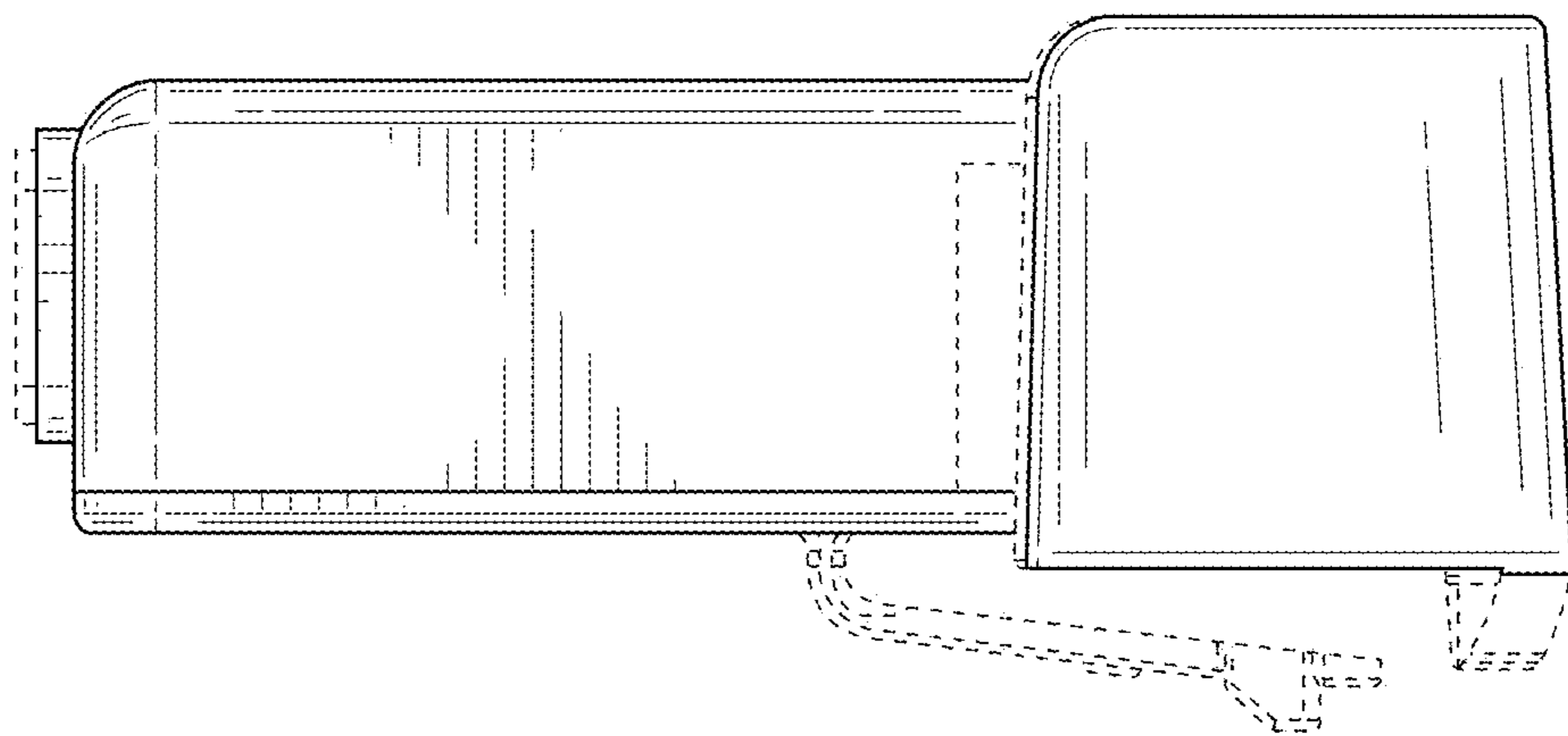


FIG. 3

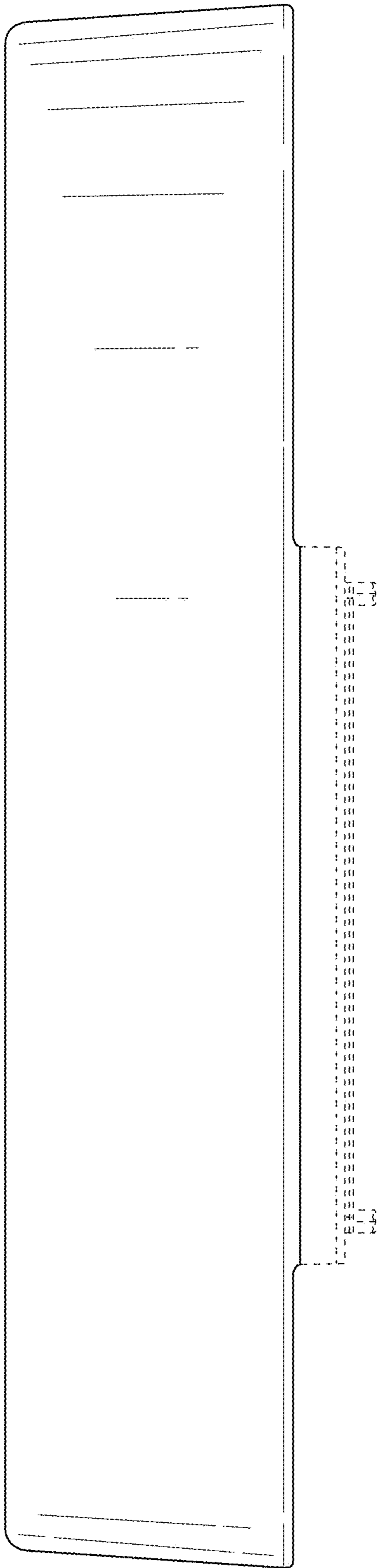


FIG. 4

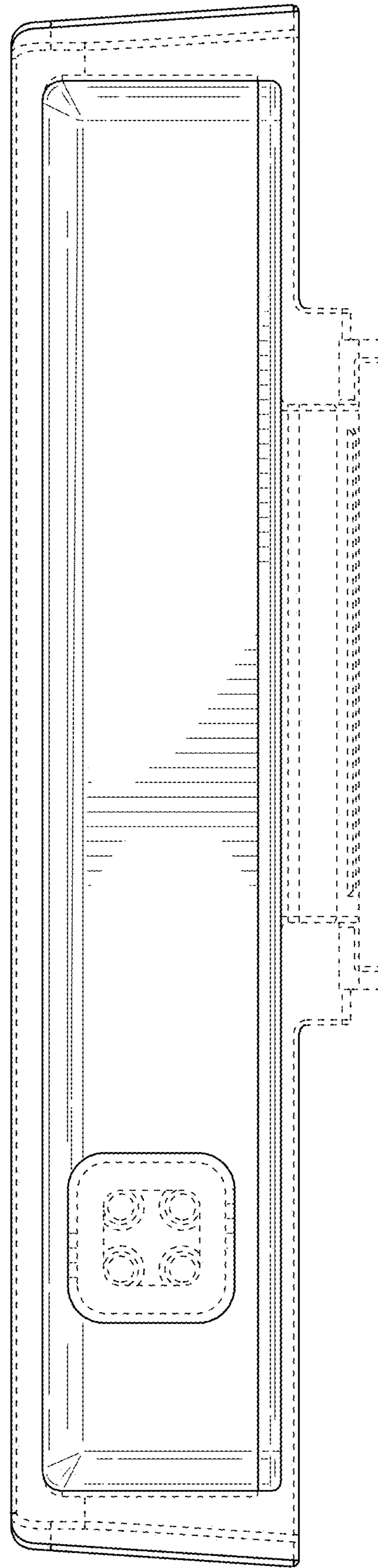


FIG. 5

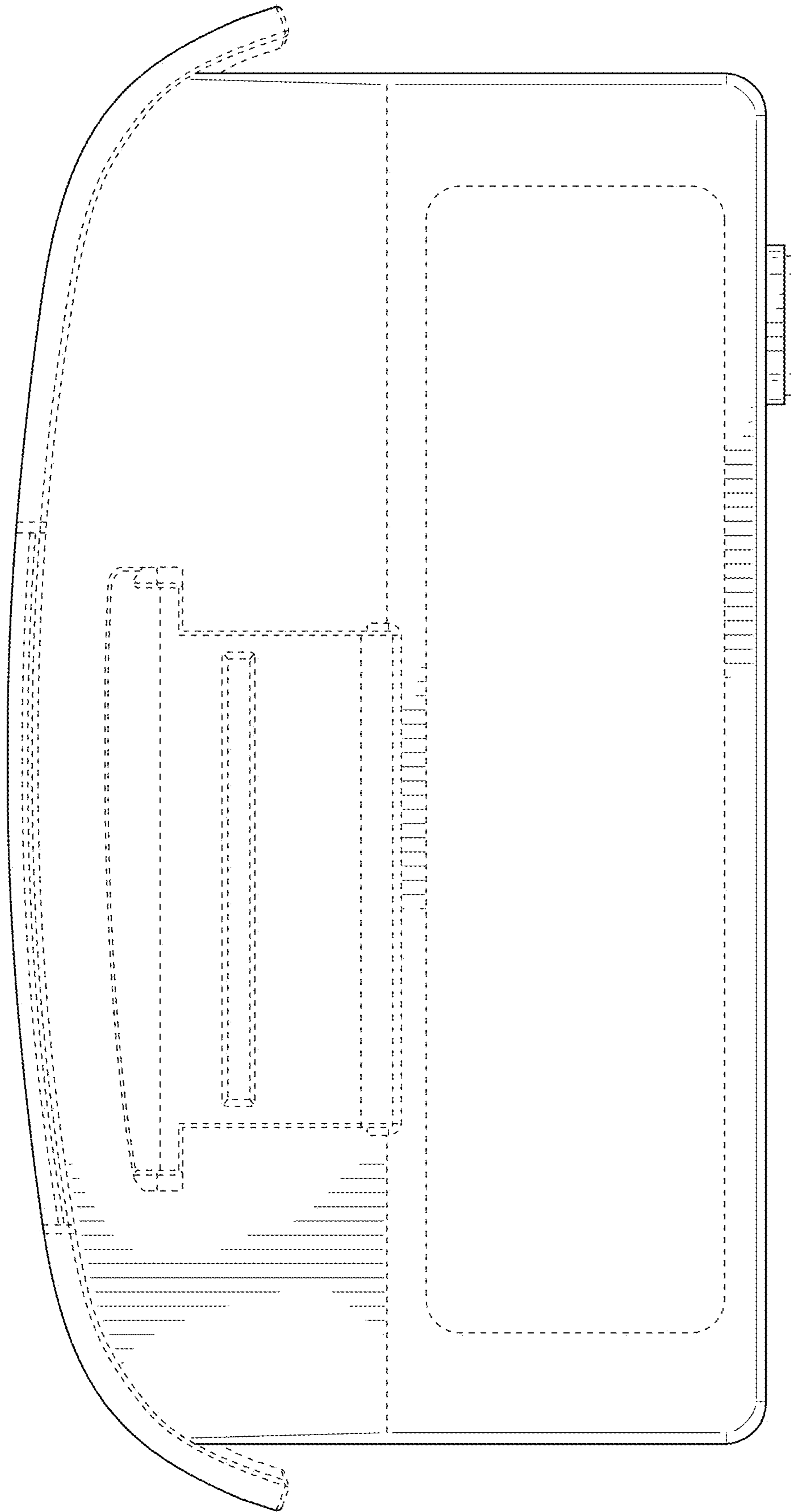


FIG. 6

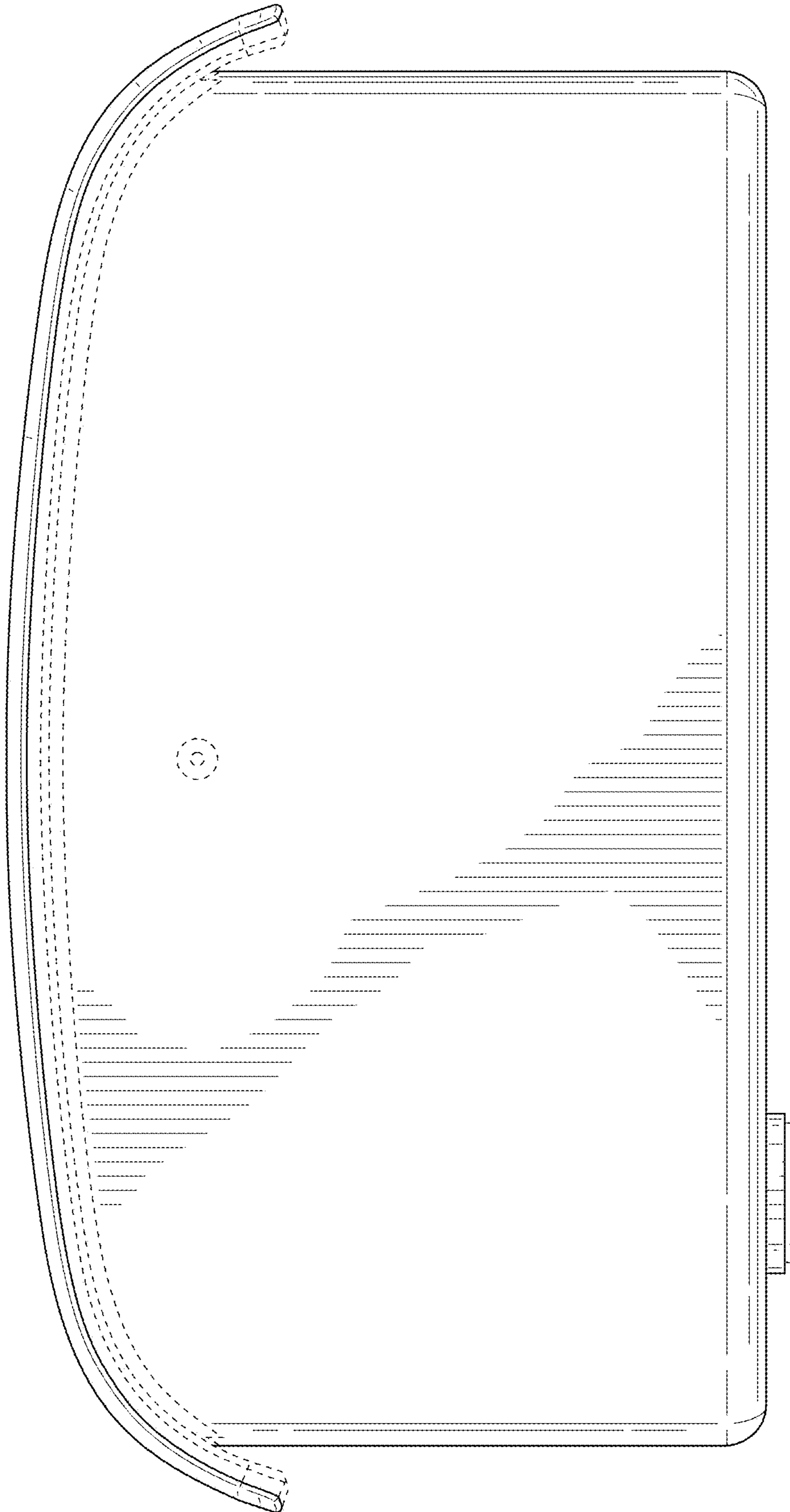


FIG. 7

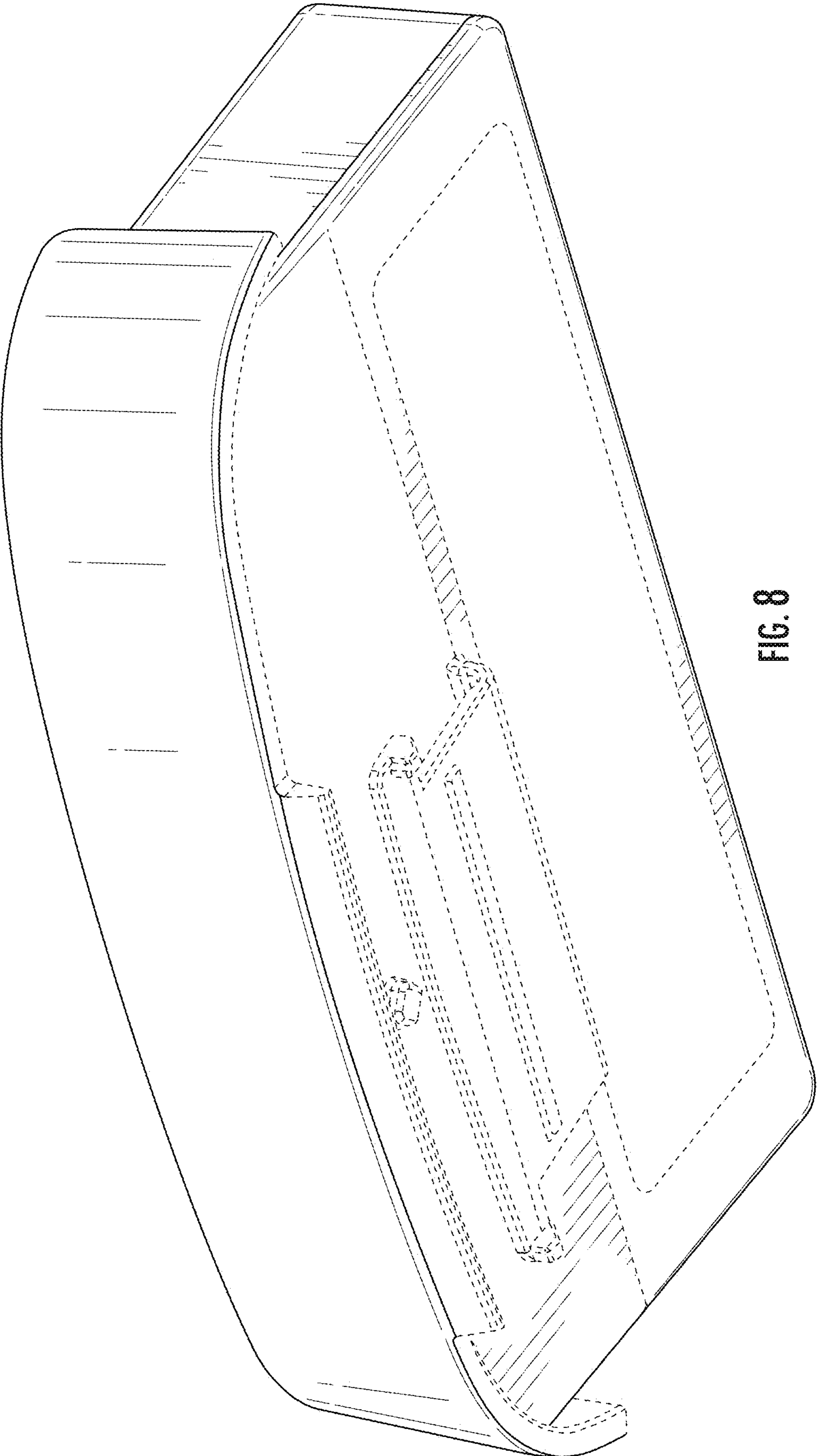


FIG. 8



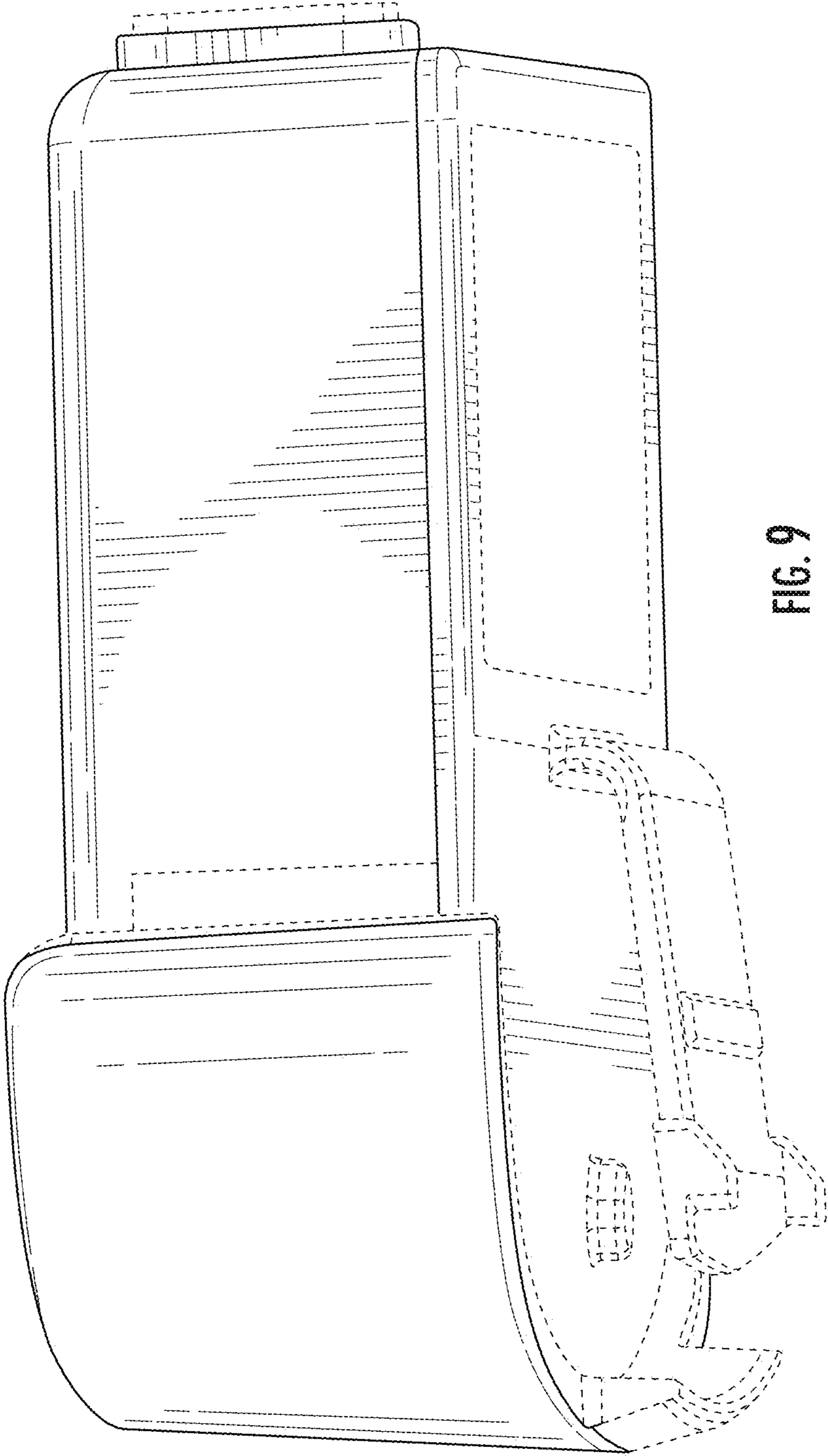


FIG. 9

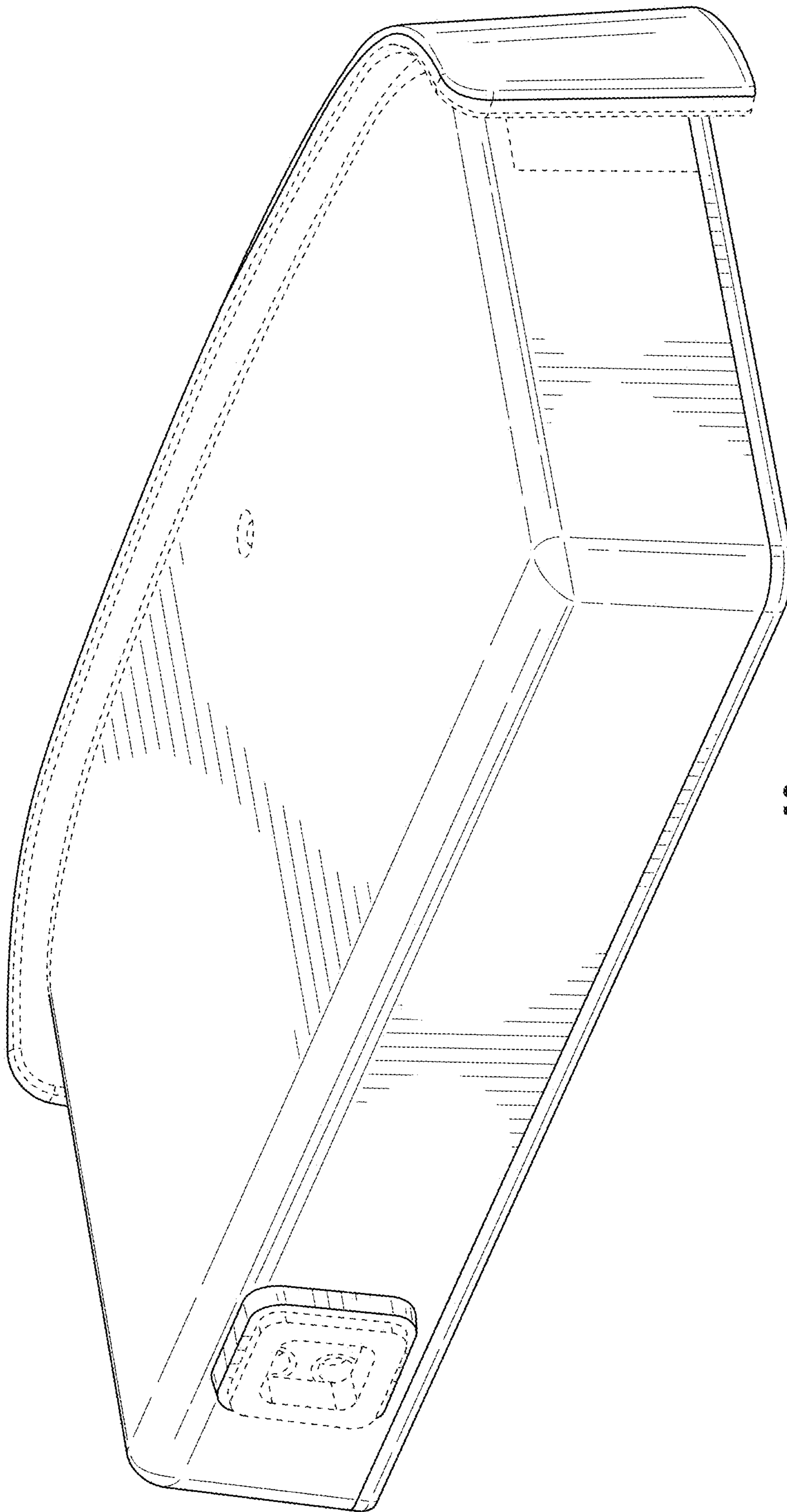


FIG. 10