

US00D940645S

(12) **United States Design Patent** (10) **Patent No.:** **US D940,645 S**  
**Smalley et al.** (45) **Date of Patent:** **\*\* Jan. 11, 2022**

(54) **POWER SUPPLY**

(71) Applicant: **COMCAST CABLE COMMUNICATIONS, LLC**, Philadelphia, PA (US)

(72) Inventors: **Ryan Smalley**, Plymouth Meeting, PA (US); **Michael Jou**, Philadelphia, PA (US)

(73) Assignee: **COMCAST CABLE COMMUNICATIONS, LLC**, Philadelphia, PA (US)

(\*\*) Term: **15 Years**

(21) Appl. No.: **29/753,659**

(22) Filed: **Oct. 1, 2020**

**Related U.S. Application Data**

(63) Continuation of application No. 29/695,968, filed on Jun. 24, 2019, now Pat. No. Des. 904,301.

(51) **LOC (13) Cl.** ..... **13-02**

(52) **U.S. Cl.**  
USPC ..... **D13/102**

(58) **Field of Classification Search**  
USPC ..... D13/101, 102, 103, 107, 108, 110, 184, D13/199  
CPC ..... H01L 31/00; H01L 31/042; H01L 31/045; H01L 31/048; H01L 31/052; H01L 31/465; H02S 30/10; H02S 30/20; Y02E 10/42; Y02E 10/50; Y02E 10/52; Y10S 136/291; Y10S 136/293; H02J 7/008; H02J 7/355

See application file for complete search history.

(56) **References Cited**

**U.S. PATENT DOCUMENTS**

D366,932 S \* 2/1996 Yehl ..... D23/364  
D376,365 S \* 12/1996 Kawada ..... D14/217

D657,739 S † 4/2012 Miyawaki ..... D13/104  
D705,719 S † 5/2014 Wong ..... D13/103  
D711,821 S † 8/2014 Wang ..... D13/103  
D759,587 S † 6/2016 Santos ..... D13/103  
D762,565 S † 8/2016 Akana ..... D13/103

(Continued)

**OTHER PUBLICATIONS**

Batteries.(Design—© Questel) orbit.com. [Online PDF compilation] 50 pgs. Print Dates Range Jan. 22, 2021-Jun. 25, 2021 [Retrieved Jul. 25, 2021].\*

(Continued)

*Primary Examiner* — Manpreet S Matharu

*Assistant Examiner* — Suzanne E Tisdell

(74) *Attorney, Agent, or Firm* — Ballard Spahr LLP

(57)

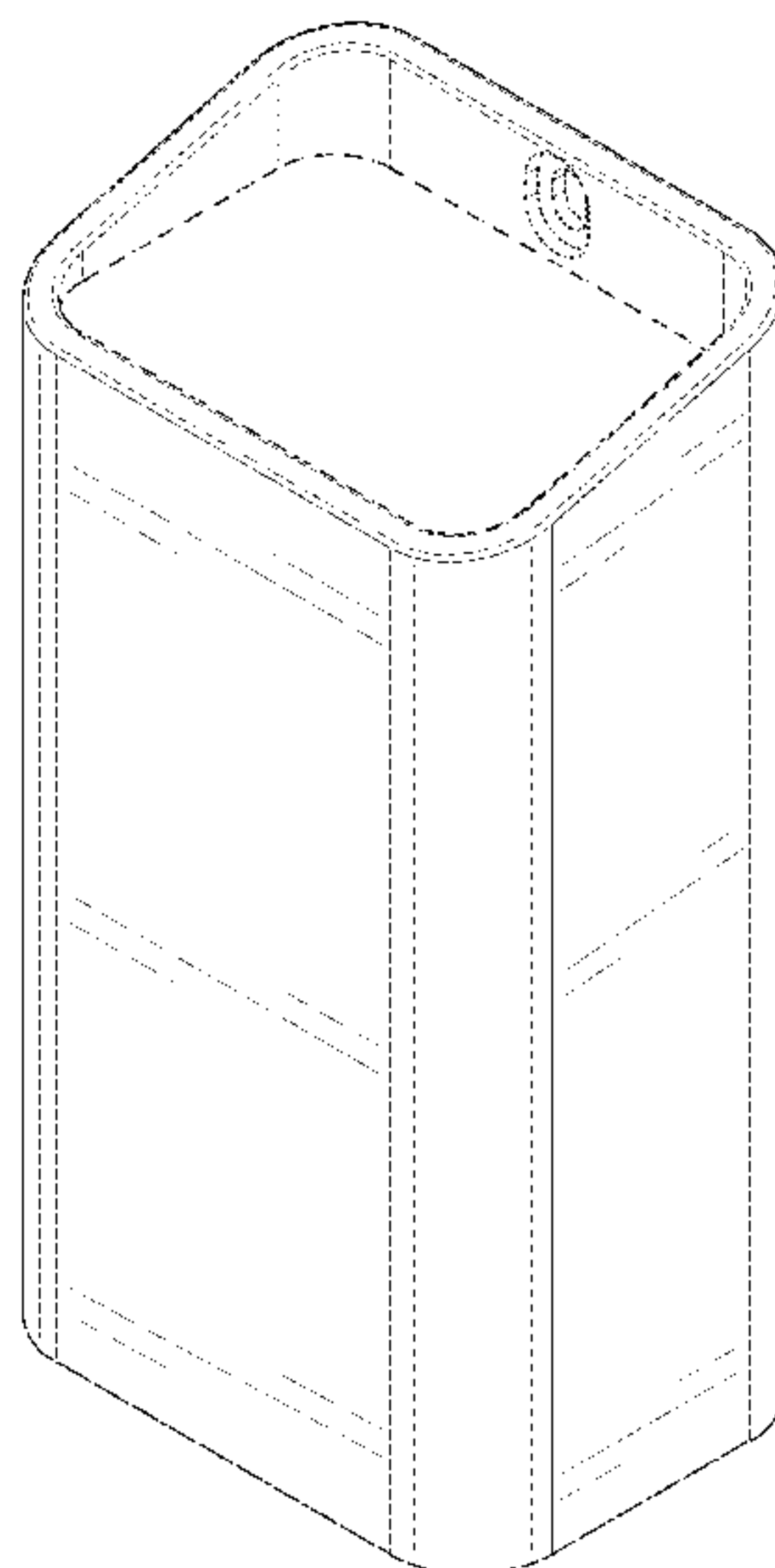
**CLAIM**

The ornamental design for a power supply, as shown and described.

**DESCRIPTION**

FIG. 1 is a front perspective view of a power supply; FIG. 2 is a front elevational view of the power supply of FIG. 1; FIG. 3 is a rear elevational view of the power supply of FIG. 1; FIG. 4 is a left side elevational view of the power supply of FIG. 1; FIG. 5 is a right side elevational view of the power supply of FIG. 1; FIG. 6 is a top plan view of the power supply of FIG. 1; and, FIG. 7 is a bottom plan view of the power supply of FIG. 1. The broken lines having consistent dash lengths (dash-dash-dash) show unclaimed portions of the power supply in FIGS. 1-7 and form no part of the claimed design.

**1 Claim, 6 Drawing Sheets**



(56)

References Cited

U.S. PATENT DOCUMENTS

D775,073 S ‡ 12/2016 Oshiba ..... D13/119  
 D795,629 S \* 8/2017 Ullman ..... D7/306  
 D812,000 S ‡ 3/2018 Li ..... D13/108  
 D820,198 S ‡ 6/2018 Smith ..... D13/103  
 D821,983 S ‡ 7/2018 Shah ..... D13/168  
 D828,912 S \* 9/2018 Powell ..... D23/366  
 D836,541 S ‡ 12/2018 Lomeli ..... D13/107  
 D842,237 S ‡ 3/2019 Qiu ..... D13/103  
 D844,560 S ‡ 4/2019 Miller ..... D13/108  
 D852,742 S ‡ 7/2019 Li ..... D13/110  
 D854,020 S ‡ 7/2019 Liao ..... D14/434  
 D864,864 S ‡ 10/2019 Xu ..... D13/110  
 D870,375 S \* 12/2019 Patil ..... D27/194  
 D871,324 S ‡ 12/2019 Roberts ..... D13/108  
 D872,017 S \* 1/2020 Huang ..... D13/110  
 D872,020 S ‡ 1/2020 Chen ..... D13/110  
 D872,021 S ‡ 1/2020 Xu ..... D13/110  
 D875,044 S ‡ 2/2020 Chen ..... D13/110  
 D875,676 S \* 2/2020 Segev ..... D13/108  
 D875,681 S ‡ 2/2020 Xu ..... D13/110  
 D876,350 S ‡ 2/2020 Lai ..... D13/110  
 D877,075 S ‡ 3/2020 Liao ..... D13/110  
 D879,715 S ‡ 3/2020 Brendel ..... D13/110  
 D879,716 S ‡ 3/2020 Chuang ..... D13/110  
 10,608,216 B2 ‡ 3/2020 Lee ..... H01M 2/1077  
 D881,455 S ‡ 4/2020 Wright ..... D27/162  
 D881,459 S ‡ 4/2020 Ouyang ..... D27/162  
 D881,462 S ‡ 4/2020 Wright ..... D27/162  
 D882,510 S \* 4/2020 Theis ..... D13/103  
 D889,399 S \* 7/2020 Zou ..... D13/107  
 D900,022 S \* 10/2020 Bell ..... D13/103

D908,081 S \* 1/2021 Huang ..... D13/102  
 D912,456 S \* 3/2021 Lamier ..... D7/332  
 D925,821 S \* 7/2021 Cruice ..... D27/162  
 2008/0050645 A1 ‡ 2/2008 Kai ..... H01M 2/1077  
 429/61  
 2009/0123821 A1 ‡ 5/2009 Kim ..... H05K 1/182  
 429/124  
 2011/0070465 A1 ‡ 3/2011 Kim ..... H01M 10/4257  
 429/7  
 2015/0207181 A1 ‡ 7/2015 Fink ..... H01M 10/425  
 429/7  
 2017/0264059 A1 ‡ 9/2017 Cote ..... H01R 13/717  
 2019/0131678 A1 ‡ 5/2019 Kim ..... H01M 10/613  
 2019/0189982 A1 ‡ 6/2019 Lee ..... H01M 10/0472  
 2019/0198952 A1 ‡ 6/2019 Choi ..... H01M 2/204

OTHER PUBLICATIONS

“30W Universal Mains AC DC Power Adapter.” Jun. 19, 2020. Amazon, [https://www.amazon.com/Universal-Adapter-Multi-Voltage-Transformer-Electronics/dp/B087NGDVVV/ref=sr\\_1\\_18\\_sspa?dchild=1&keywords=Xfinity+Home+Security+EPS-85+AC+Adapter+37469780+12V+1.5A&qid=1627332350&sr=8-18-spons&psc.\\*](https://www.amazon.com/Universal-Adapter-Multi-Voltage-Transformer-Electronics/dp/B087NGDVVV/ref=sr_1_18_sspa?dchild=1&keywords=Xfinity+Home+Security+EPS-85+AC+Adapter+37469780+12V+1.5A&qid=1627332350&sr=8-18-spons&psc.*)  
 “UpBright 5V AC/DC Adapter” Aug. 12, 2013. Amazon. [https://www.amazon.com/PS-1-35-515C-COMCAST-Xfinity-DCI1011COM-DCI105COM1/dp/B00IZW3L0G/ref=sr\\_1\\_49.\\*](https://www.amazon.com/PS-1-35-515C-COMCAST-Xfinity-DCI1011COM-DCI105COM1/dp/B00IZW3L0G/ref=sr_1_49.*)  
 “UpBright 12V AC/DC Adapter” Jun. 18, 2013. Amazon. [https://www.amazon.com/WD-WD16001032-WD16001032-001-WD1600B014-WDBABV6400ABK-0/dp/B0159VF9SM/ref=sr\\_.\\*](https://www.amazon.com/WD-WD16001032-WD16001032-001-WD1600B014-WDBABV6400ABK-0/dp/B0159VF9SM/ref=sr_.*)

\* cited by examiner

‡ imported from a related application

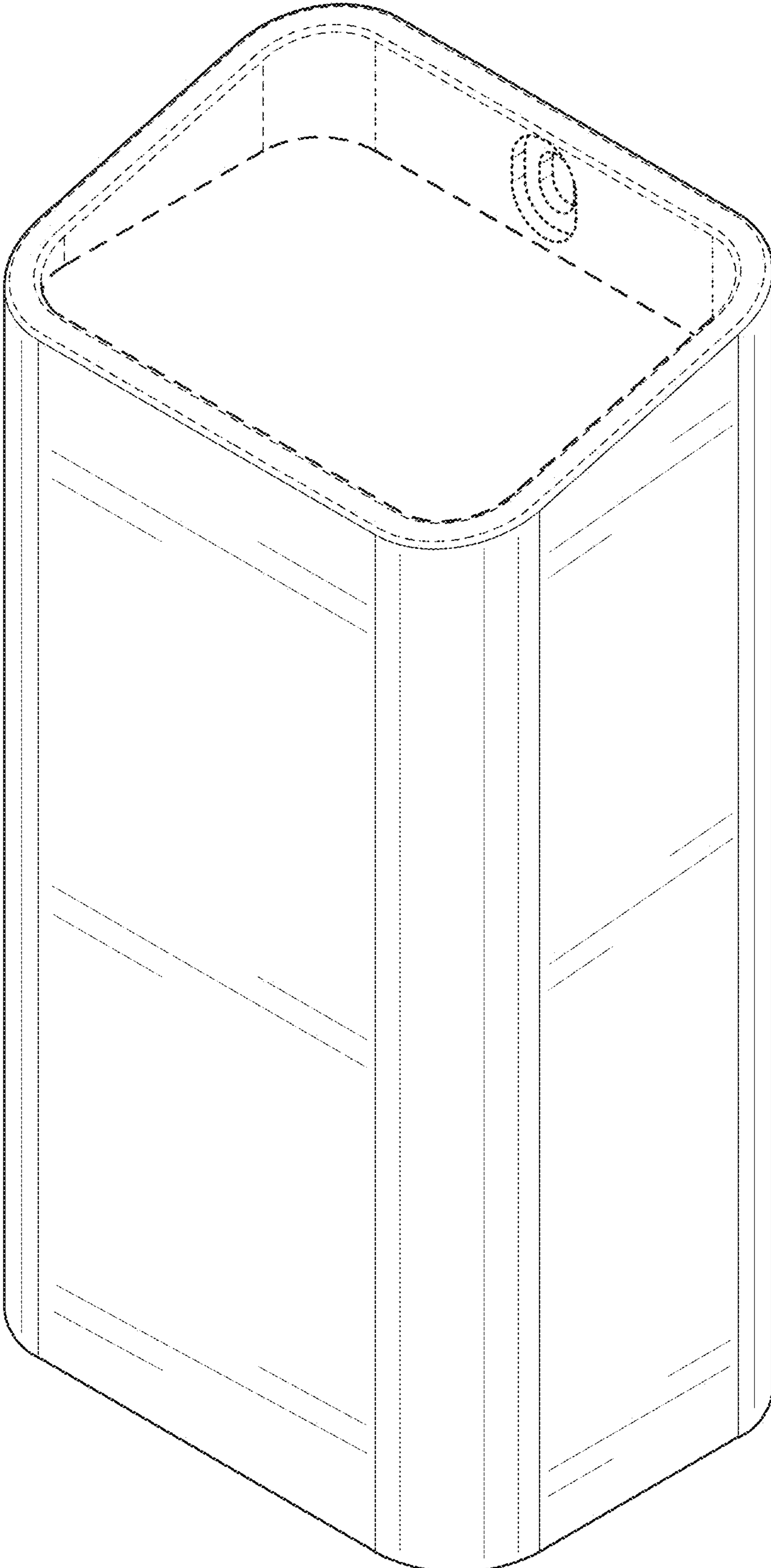


FIG. 1

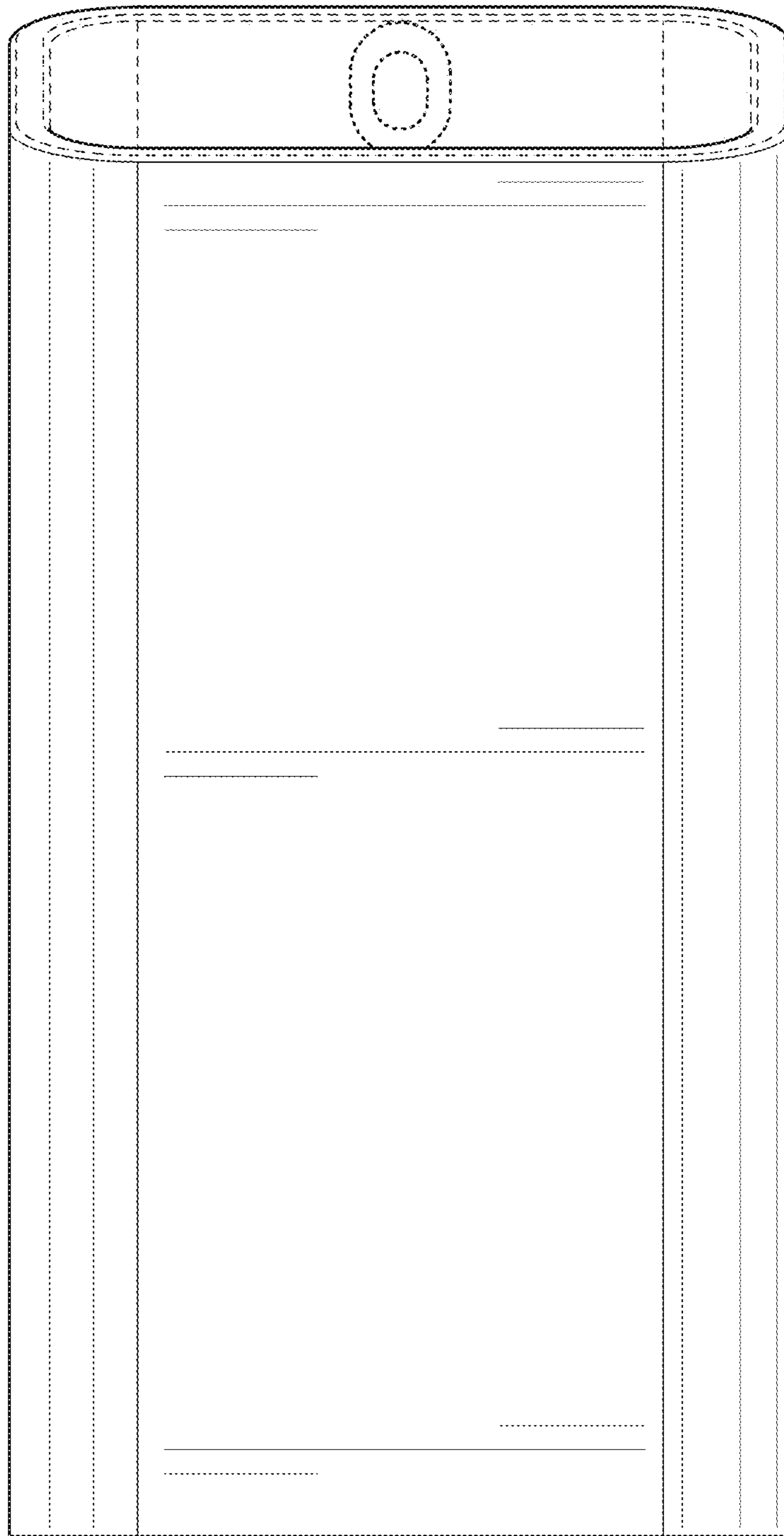


FIG. 2



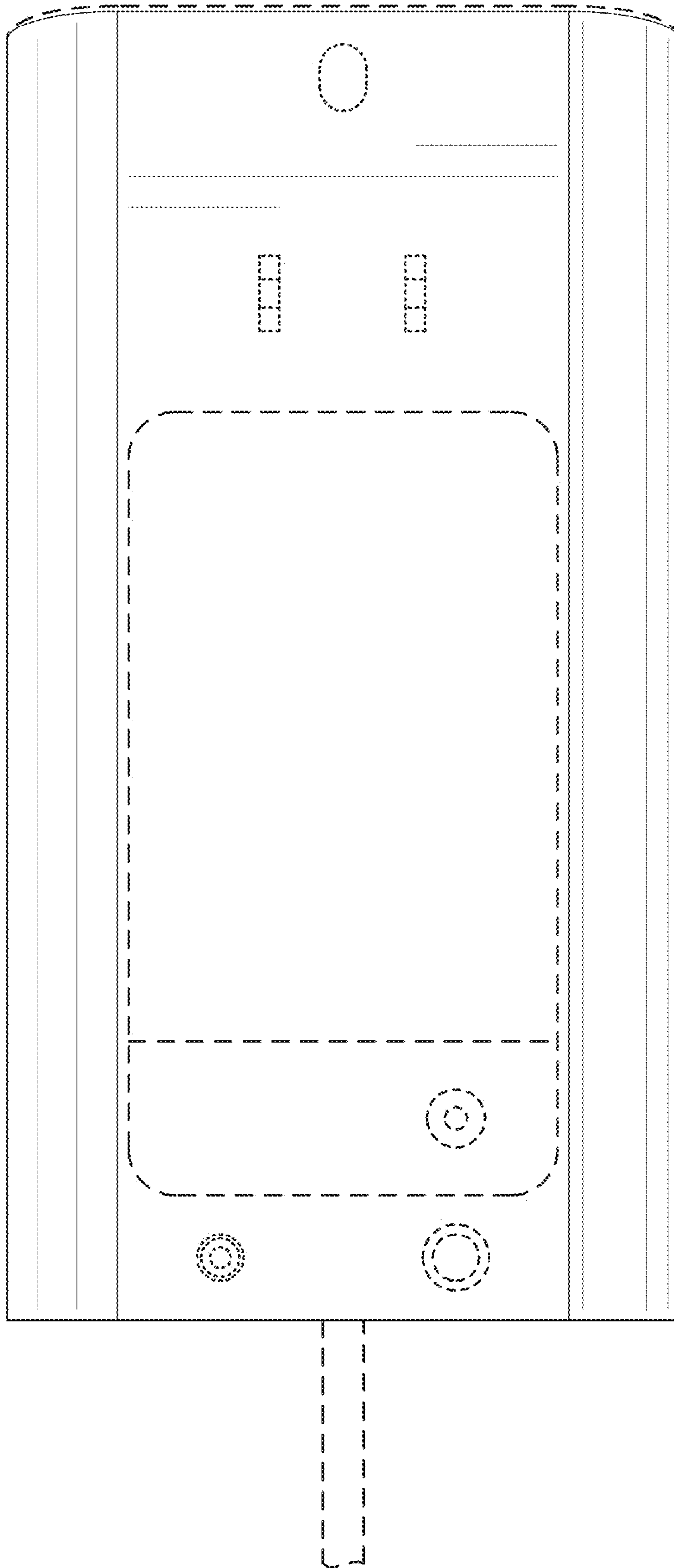


FIG. 3

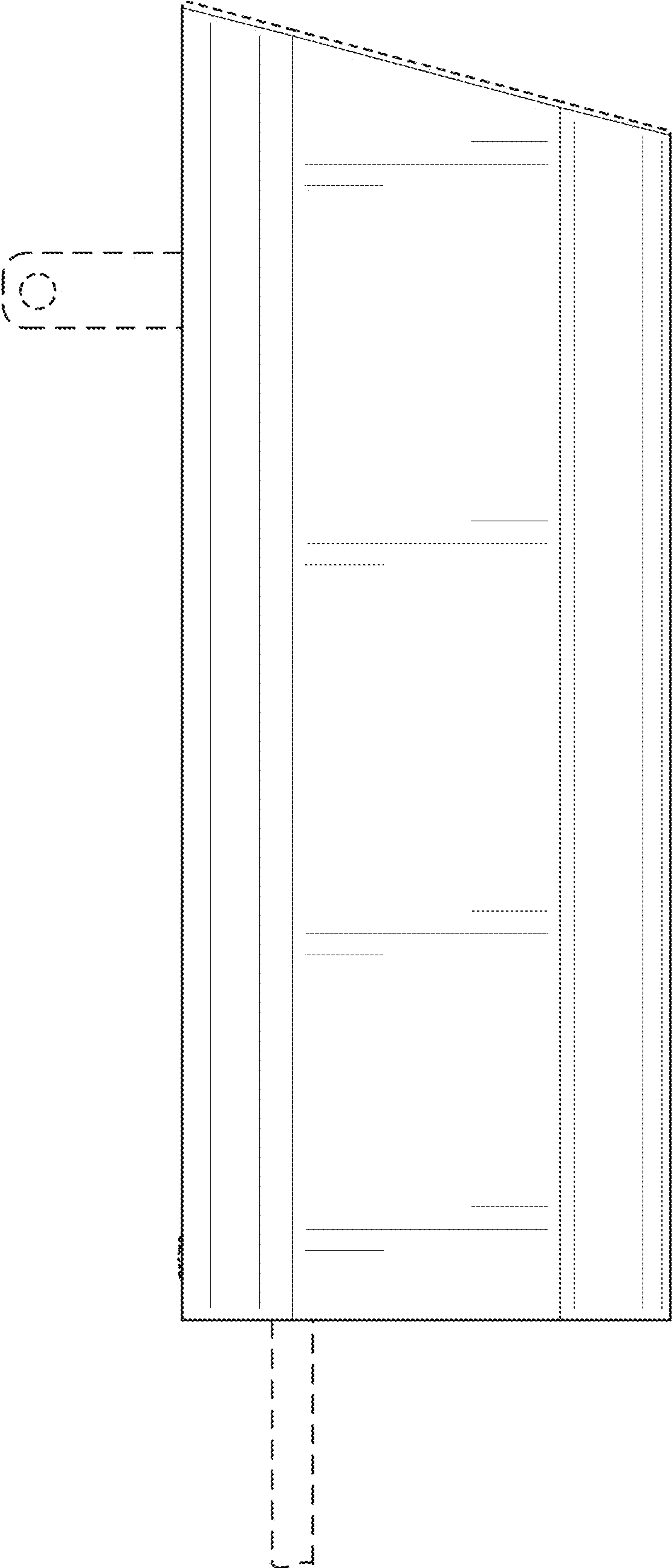


FIG. 4

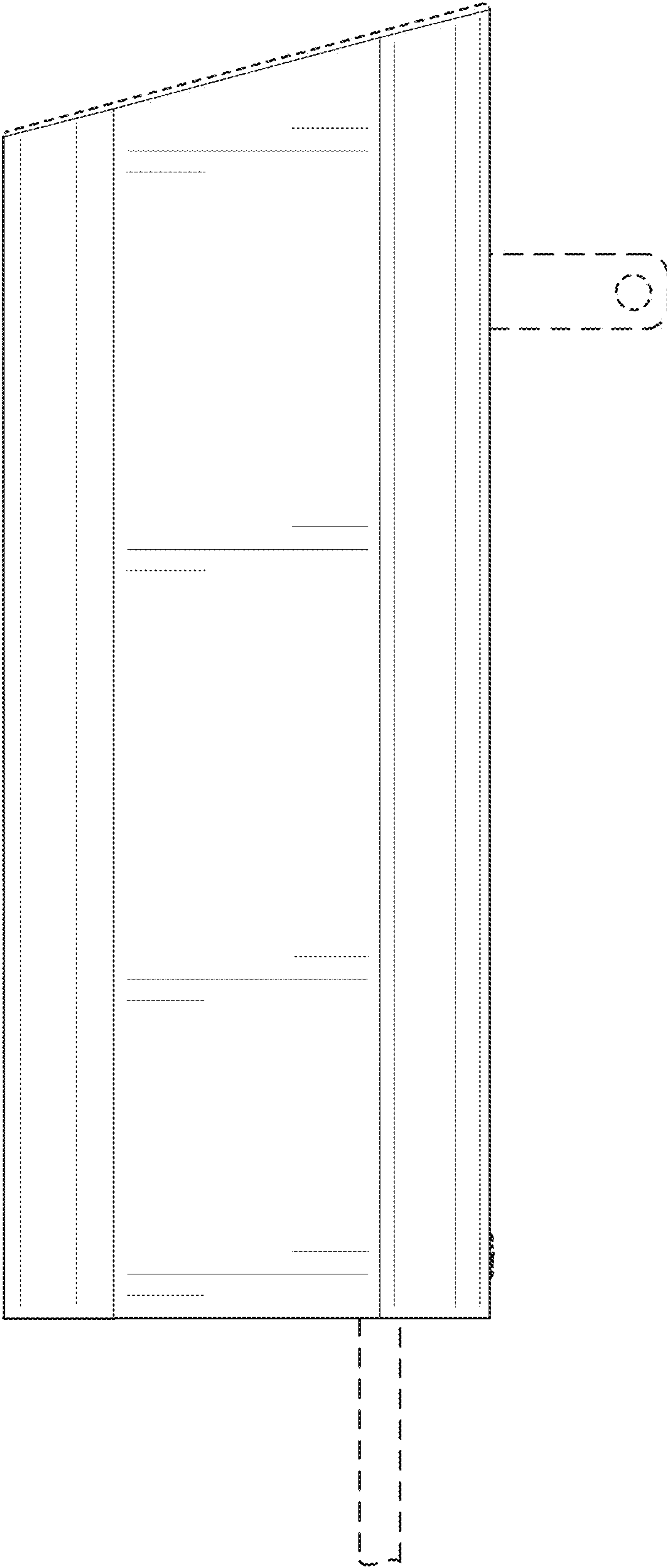


FIG. 5

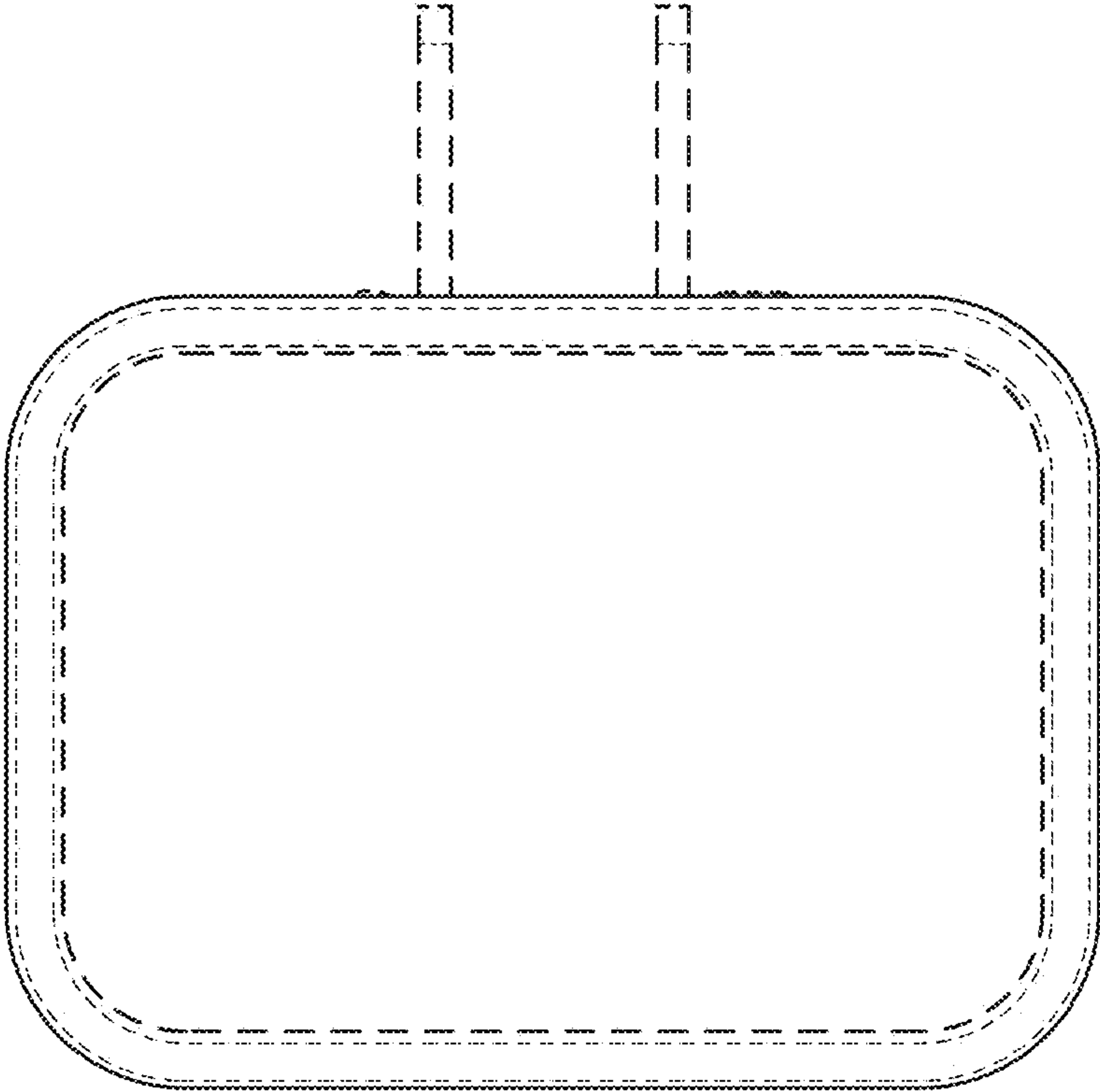


FIG. 6

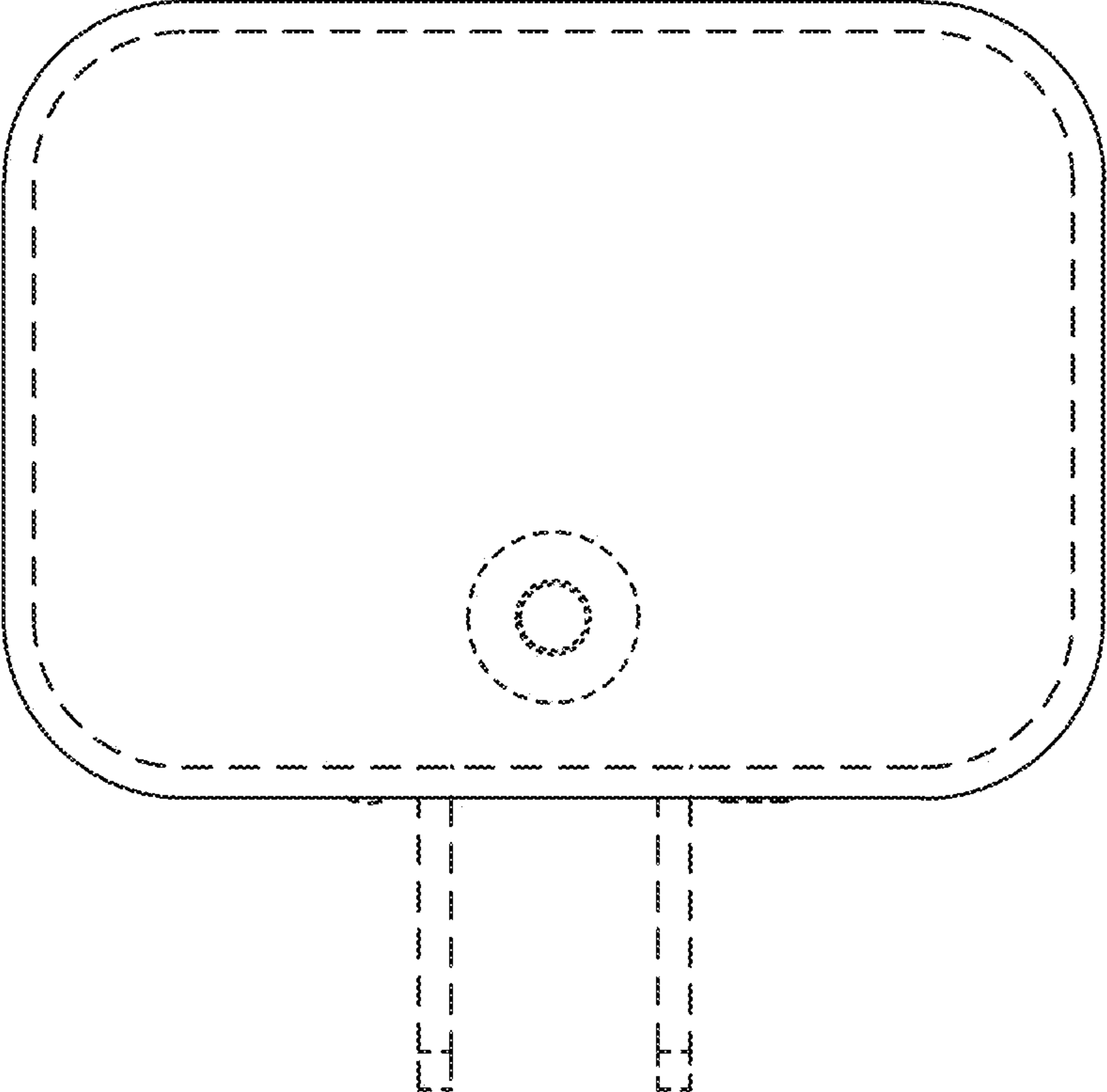


FIG. 7