

US00D940641S

(12) **United States Design Patent**
Guilford et al.

(10) **Patent No.:** **US D940,641 S**
(45) **Date of Patent:** **** Jan. 11, 2022**

(54) **TIRE**
(71) Applicant: **The Goodyear Tire & Rubber Company, Akron, OH (US)**

D402,238 S * 12/1998 Young D12/586
D414,446 S 9/1999 Kemp, Jr. D12/141
D414,725 S 10/1999 Kemp, Jr. D12/143
(Continued)

(72) Inventors: **John Stephen Guilford, Spencer, OH (US); Daniel Thomas Murphy, Mogadore, OH (US); Jeffrey Leon Severt, Cuyahoga Falls, OH (US)**

OTHER PUBLICATIONS

U.S. Appl. No. 29/664,892, filed Sep. 28, 2018, Coots.
U.S. Appl. No. 29/692,165, filed May 23, 2019, Guilford, et al.
U.S. Appl. No. 29/708,574, filed Oct. 8, 2019, Guilford, et al.

(73) Assignee: **The Goodyear Tire & Rubber Company, Akron, OH (US)**

Primary Examiner — John A Voytek
(74) *Attorney, Agent, or Firm* — Robert N. Lipsik

(**) Term: **15 Years**

(57) **CLAIM**

The ornamental Design for a tire, as shown and described.

(21) Appl. No.: **29/721,748**

DESCRIPTION

(22) Filed: **Jan. 23, 2020**

(51) **LOC (13) Cl.** **12-15**

(52) **U.S. Cl.**
USPC **D12/588**

(58) **Field of Classification Search**
USPC D12/568–605, 900
CPC Y10T 152/10027; B60C 1/0016; B60C 11/0306; B60C 11/0302; B60C 3/06; B60C 9/17
See application file for complete search history.

FIG. 1 is a perspective view of a tire showing our new design, it being understood that the pattern repeats uniformly throughout the circumference of the tread;
FIG. 2 is a front elevational view thereof;
FIG. 3 is a right side elevational view of the area circled in FIG. 1;
FIG. 4 is an enlarged fragmentary front elevational view thereof;
FIG. 5 is a perspective view of a second embodiment of a tire showing our new design, it being understood that the interior of the tire forms no part of the claim, that the pattern repeats uniformly throughout the circumference of the tread and that the opposite side view is identical thereto; and,
FIG. 6 is a front elevational view of a second embodiment, it being understood that an enlarged fragmentary view thereof would be substantially identical to that shown in FIG. 4, with the exception of the inclusion of the sidewall in the claim.

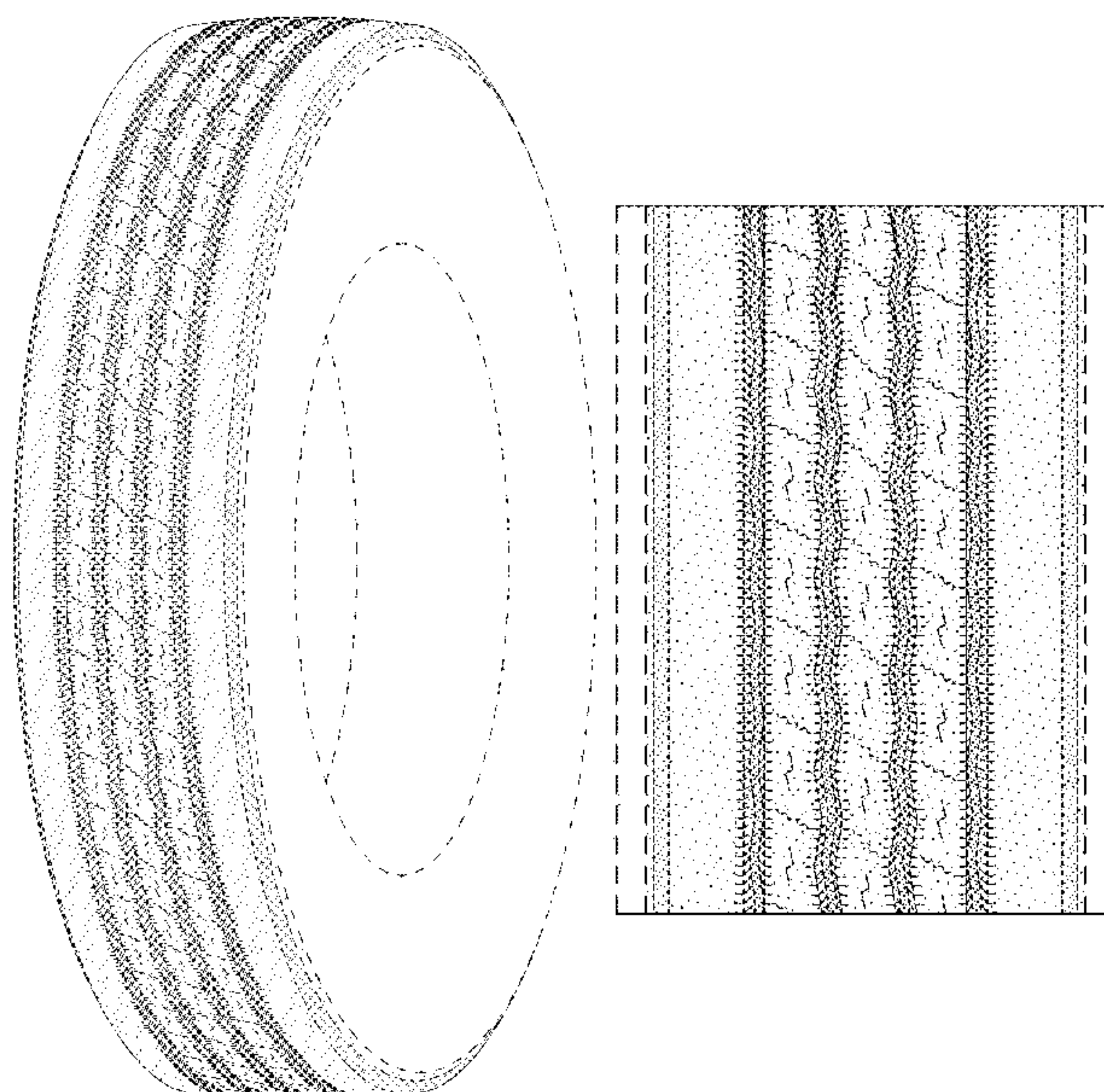
In the drawings, the broken lines immediately adjacent to the outer edges of the tire shoulder represent boundaries of the claim, and the broken lines depict environmental subject matter only and form no part of the claimed design.

(56) **References Cited**

U.S. PATENT DOCUMENTS

D317,737 S	6/1991	Enoki et al.	D12/143
D370,439 S	6/1996	Feider et al.	D12/141
D371,756 S	7/1996	Kishi et al.	D12/141
D380,995 S	7/1997	Grosskopf	D12/143
D383,713 S	9/1997	Grosskopf	D12/146
D385,234 S	10/1997	Young	D12/141
D388,370 S	12/1997	Young et al.	D12/146
D390,170 S	2/1998	Stone et al.	D12/141
D390,510 S	2/1998	Stone et al.	D12/143
D397,647 S	9/1998	Young	D12/146

1 Claim, 6 Drawing Sheets



(56)

References Cited

U.S. PATENT DOCUMENTS

D451,438 S	12/2001	Galante et al.	D12/146	D730,273 S	5/2015	Schimmoeller	D12/601
D451,860 S	12/2001	Schuster et al.	D12/147	D732,465 S	6/2015	Yamada	D12/588
D472,204 S	3/2003	Kemp, Jr. et al.	D12/588	D735,640 S	8/2015	Vandaele et al.	D12/553
D489,036 S	4/2004	Irimiya	D12/553	D739,814 S	9/2015	Moore et al.	D12/600
D501,446 S	2/2005	Wage	D12/583	D746,765 S	1/2016	Hutz et al.	D12/588
D502,444 S	3/2005	Wage	D12/588	D748,045 S	1/2016	Kitamura	D12/584
D506,722 S	6/2005	Nonaka	D12/553	D748,046 S *	1/2016	Kitajima	D12/588
D604,230 S	11/2009	Brown et al.	D12/588	D755,116 S	5/2016	Wang et al.	D12/588
D605,107 S	12/2009	Ludwig et al.	D12/588	D768,059 S	10/2016	Brown	D12/588
D605,108 S	12/2009	Brown et al.	D12/588	D780,101 S	2/2017	Brown	D12/590
D609,175 S	2/2010	Feider et al.	D12/600	D781,221 S	3/2017	Oji	D12/586
D610,077 S	2/2010	Tobino	D12/601	D785,551 S	5/2017	Farinelle et al.	D12/588
D613,680 S	4/2010	Dixon et al.	D12/588	D789,277 S	6/2017	Dixon et al.	D12/518
D615,922 S	5/2010	Takano	D12/588	D789,284 S	6/2017	Krier et al.	D12/588
D616,356 S	5/2010	Ohara	D12/588	D828,290 S	9/2018	Reygrobelle et al.	D12/588
D635,915 S	4/2011	Hamada	D12/588	D843,313 S *	3/2019	Cai	D12/590
D637,143 S *	5/2011	Ohara	D12/588	D845,880 S	4/2019	Jones et al.	D12/553
D642,974 S	8/2011	Koshio	D12/600	D856,270 S *	8/2019	Chu	D12/588
D673,897 S	1/2013	Krier	D12/587	D865,652 S	11/2019	Jones et al.	D12/553
D674,740 S	1/2013	Mathonet et al.	D12/588	D866,452 S	11/2019	Jones et al.	D12/553
D674,741 S	1/2013	Mathonet et al.	D12/588	D868,680 S	12/2019	Becker et al.	D12/588
D675,560 S	2/2013	Kato	D12/590	D870,027 S *	12/2019	Wang	D12/588
D686,973 S	7/2013	Otani	D12/588	D871,317 S *	12/2019	Wang	D12/588
D719,907 S	12/2014	Ohara	D12/588	D875,656 S *	2/2020	Wang	D12/588
				D877,693 S *	3/2020	Coots	D12/551
				D927,410 S *	8/2021	Guilford	D12/590

* cited by examiner

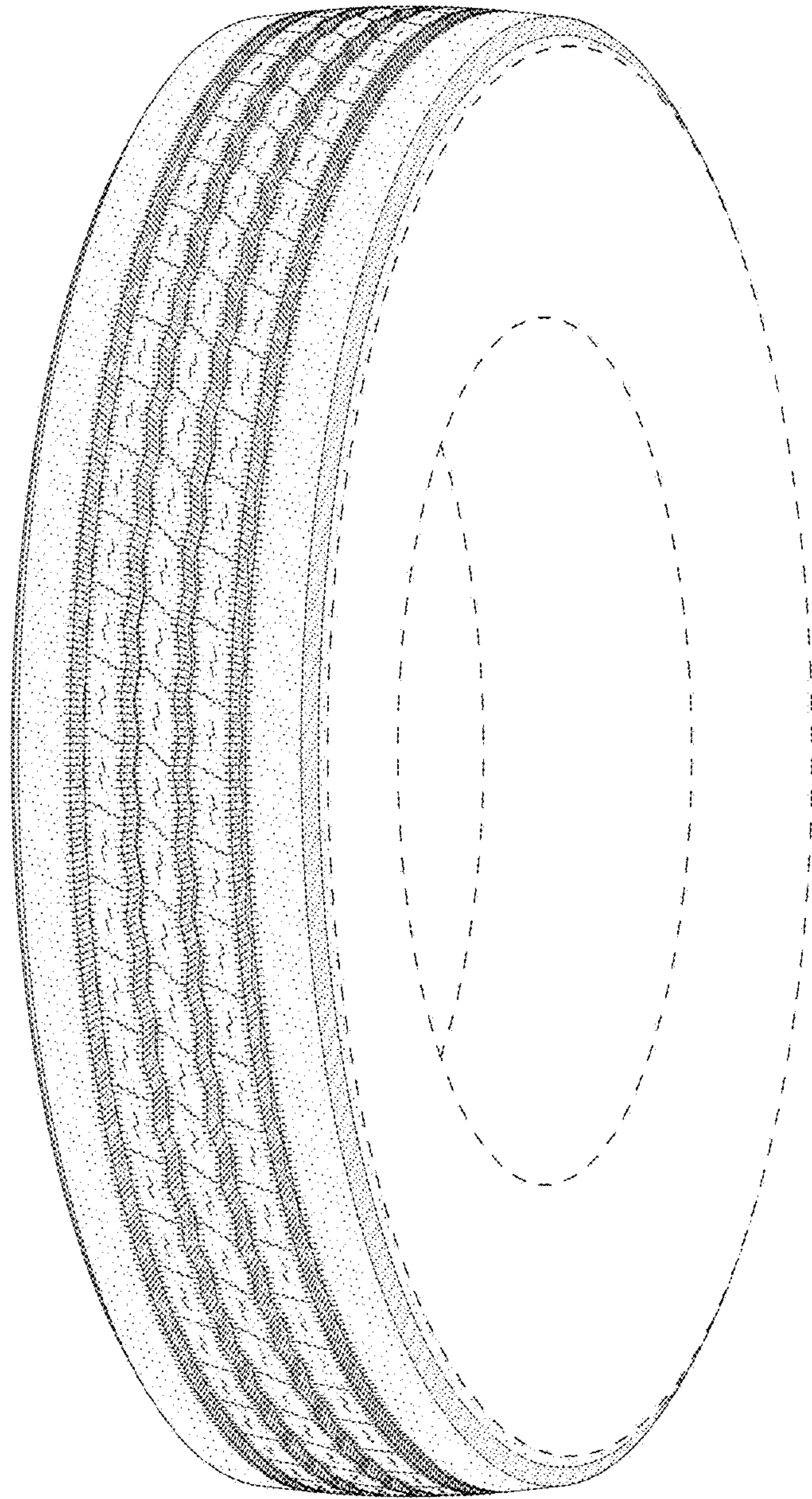


FIG - 1

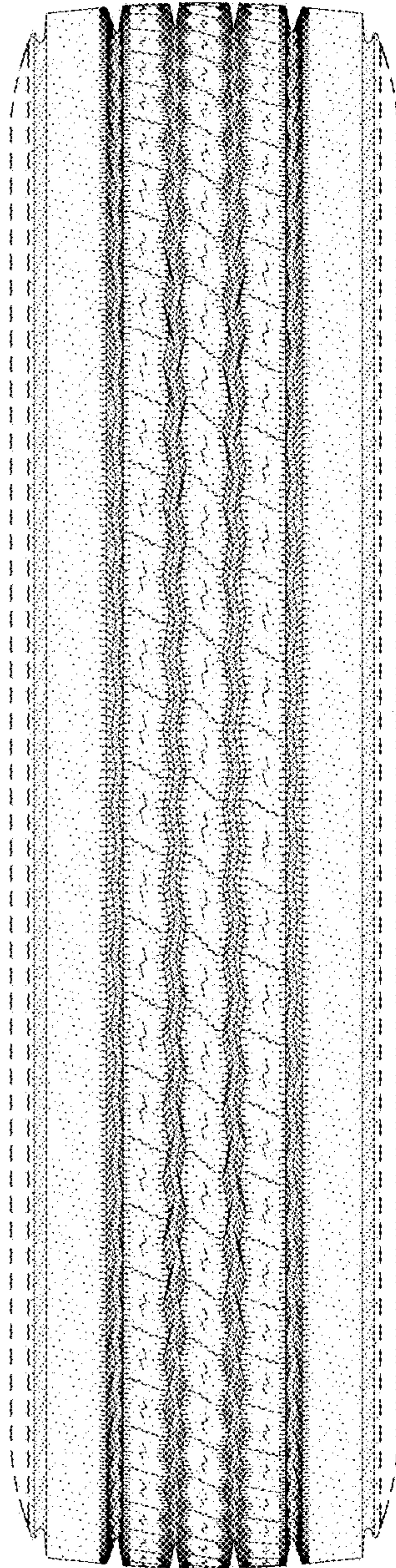


FIG - 2

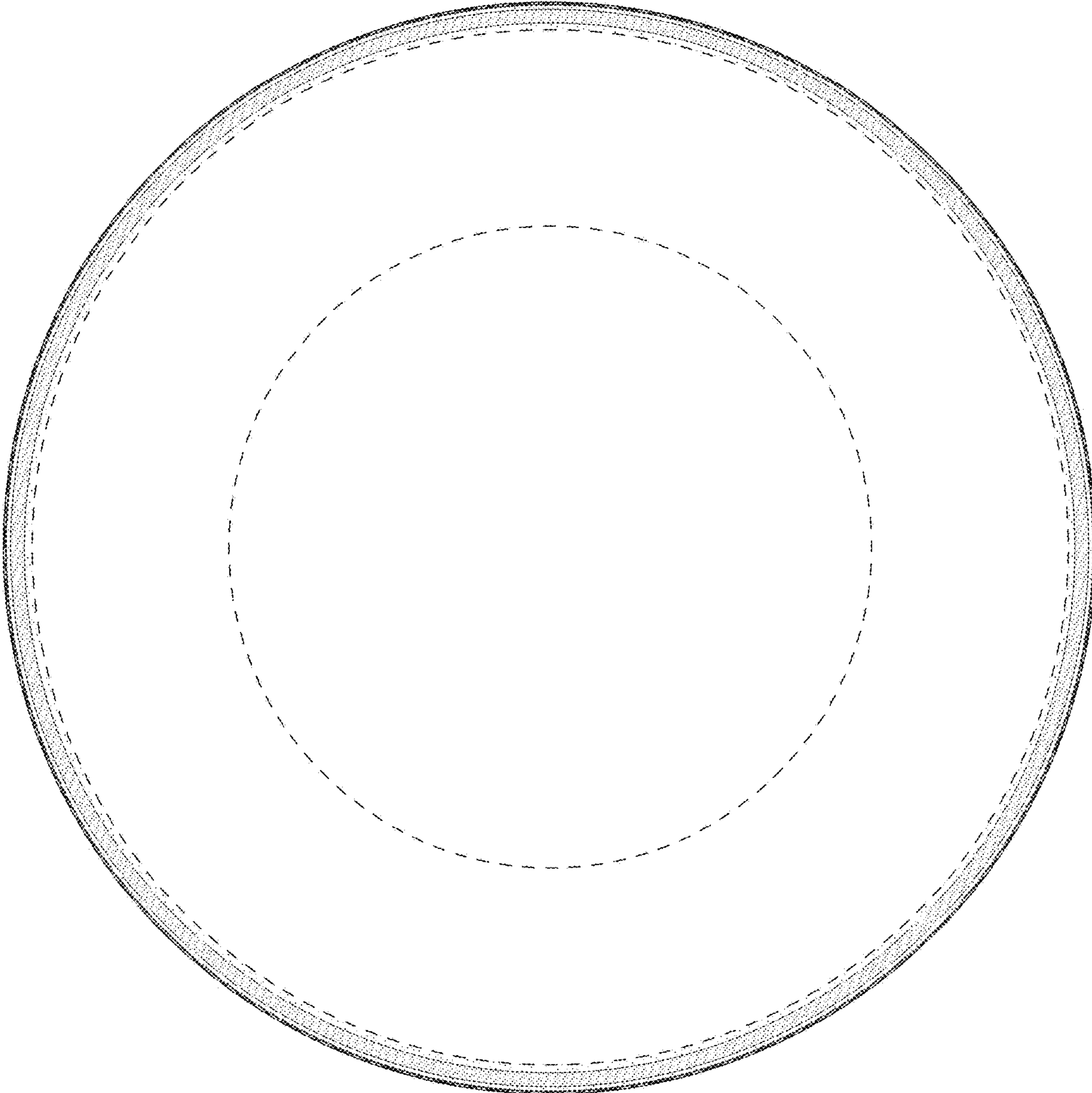


FIG - 3

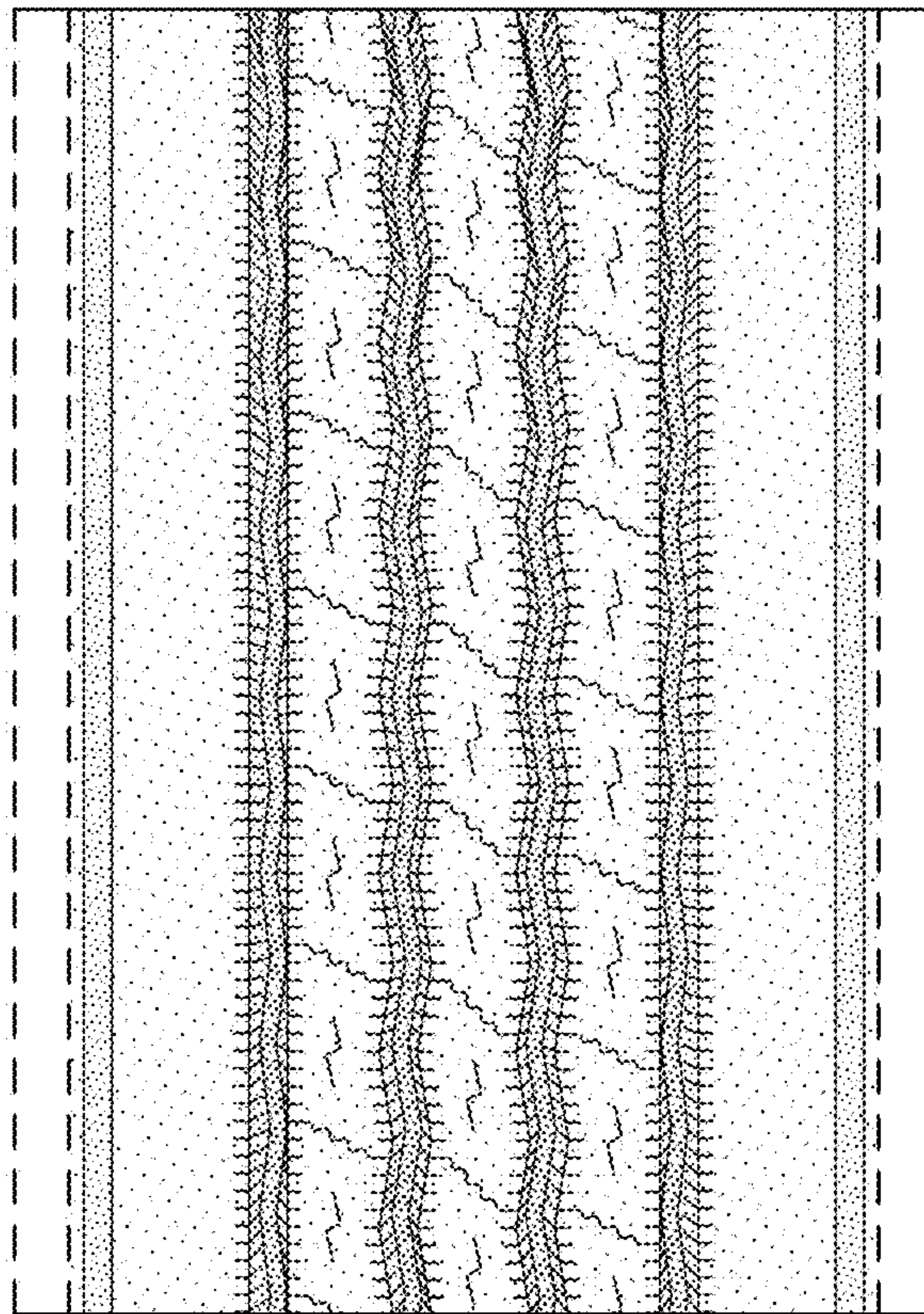


FIG - 4

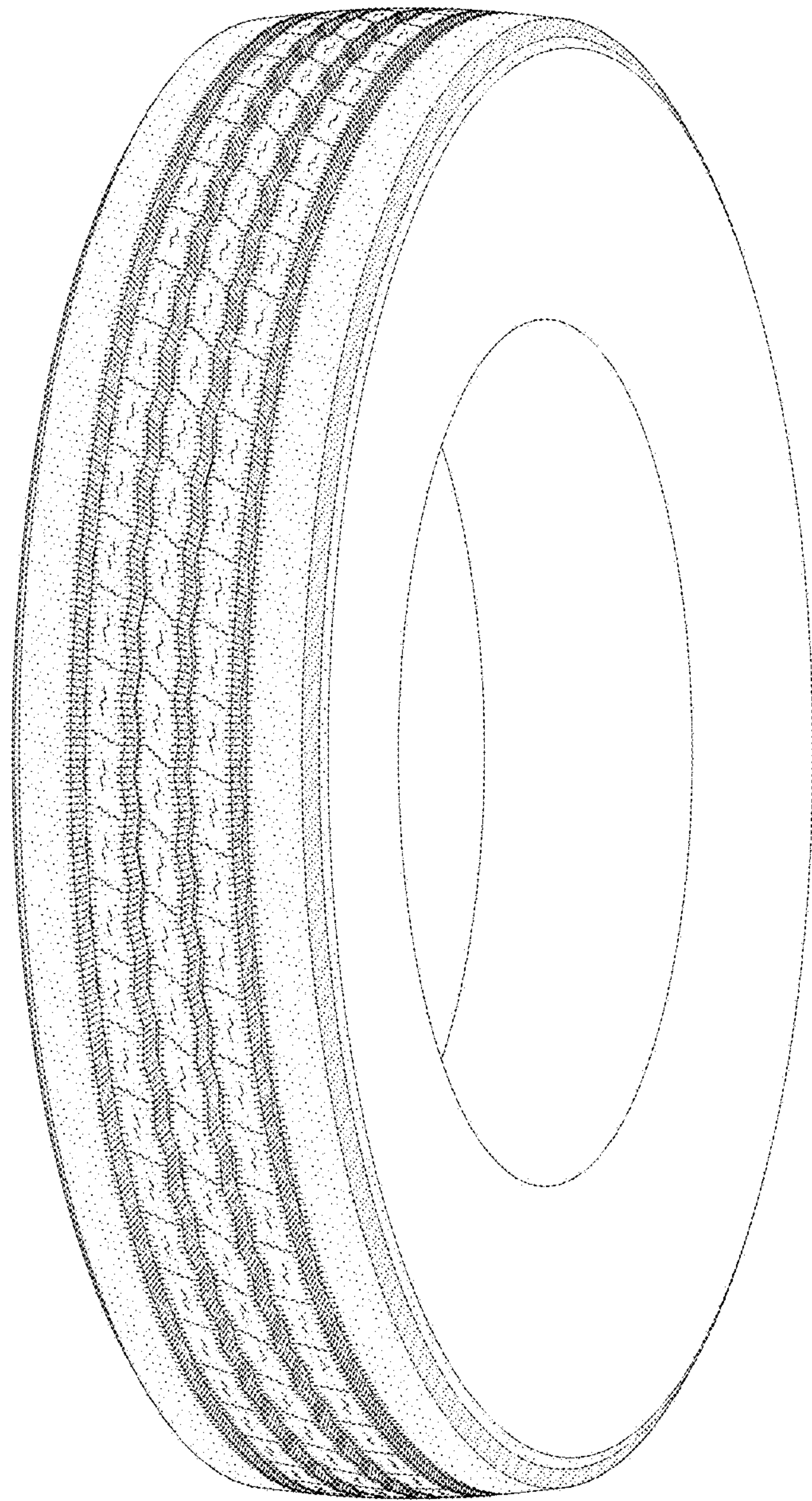


FIG - 5

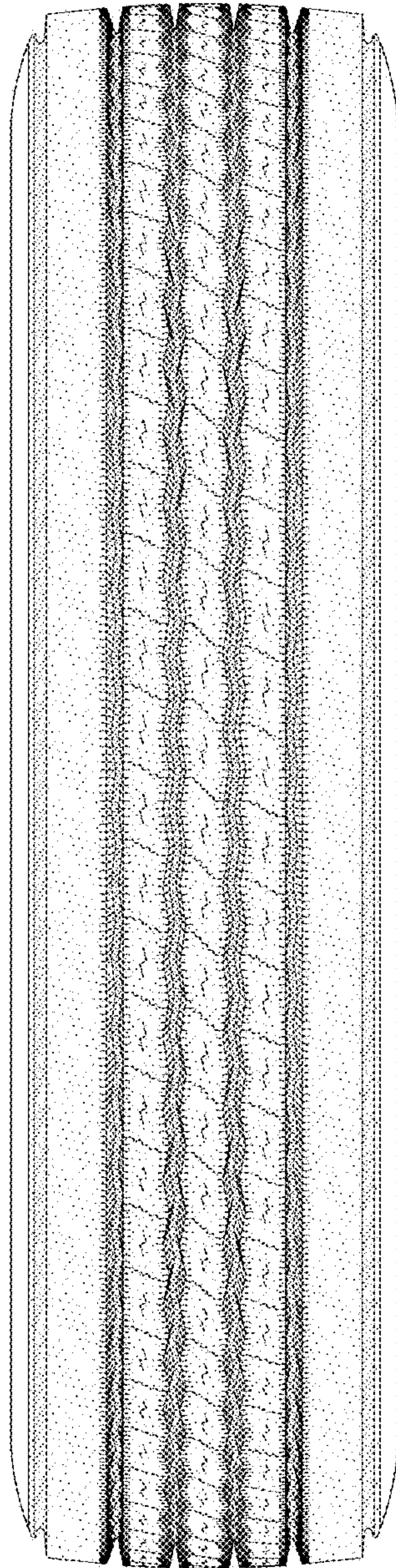


FIG - 6