



US00D940636S

(12) **United States Design Patent**
Yang

(10) **Patent No.:** **US D940,636 S**

(45) **Date of Patent:** **** Jan. 11, 2022**

- (54) **CUP HOLDER AND TRAY WITH PIPE CLAMP**
- (71) Applicant: **Guangzhou Jiaotu Information Technology Co., Ltd., Guangzhou (CN)**
- (72) Inventor: **Taiping Yang, Guangzhou (CN)**
- (73) Assignee: **Guangzhou Jiaotu Information Technology Co., Ltd., Guangzhou (CN)**
- (**) Term: **15 Years**
- (21) Appl. No.: **29/779,520**
- (22) Filed: **Apr. 20, 2021**
- (51) **LOC (13) Cl.** **12-16**
- (52) **U.S. Cl.**
USPC **D12/419**
- (58) **Field of Classification Search**
USPC D12/415, 419; D6/620
CPC .. B60R 7/08; B60Q 3/225; B60Q 3/64; B60N 3/10
See application file for complete search history.

- D848,932 S * 5/2019 Henderson D12/419
- D906,229 S * 12/2020 Han D12/419
- D917,375 S * 4/2021 Cavallo B60N 3/105
D12/419
- D919,552 S * 5/2021 Jeon D12/419
- D925,300 S * 7/2021 Chong D7/620
- 2016/0255805 A1* 9/2016 Jones A01K 5/0114
- 2018/0009356 A1* 1/2018 Liebowitz B60N 3/002
- 2021/0029893 A1* 2/2021 Cooley A01G 9/0295

* cited by examiner

Primary Examiner — Katrina A Betton

(74) *Attorney, Agent, or Firm* — Zhihua Han; Wen IP LLC

(57) **CLAIM**

The ornamental design for a cup holder and tray with pipe clamp, as shown and described.

DESCRIPTION

FIG. 1 is a top perspective view of a cup holder and tray with pipe clamp, showing my new design;
 FIG. 2 is a left side elevation view thereof;
 FIG. 3 is a right side view thereof;
 FIG. 4 is a front elevation view thereof;
 FIG. 5 is a rear elevation view thereof;
 FIG. 6 is a top plan view thereof;
 FIG. 7 is bottom plan view thereof;
 FIG. 8 is rear, top, left perspective view thereof;
 FIG. 9 is bottom perspective view thereof; and,
 FIG. 10 is an exploded, tope left perspective view thereof.

1 Claim, 10 Drawing Sheets

(56) **References Cited**

U.S. PATENT DOCUMENTS

- D472,871 S * 4/2003 Ramos D12/419
- D675,882 S * 2/2013 Crockett D7/619.1
- D714,594 S 10/2014 Blandl et al.
- D735,636 S * 8/2015 Wragg D12/419
- D755,575 S 5/2016 Pratt
- D809,998 S * 2/2018 Dabel B60R 11/00
D12/419





FIG. 1

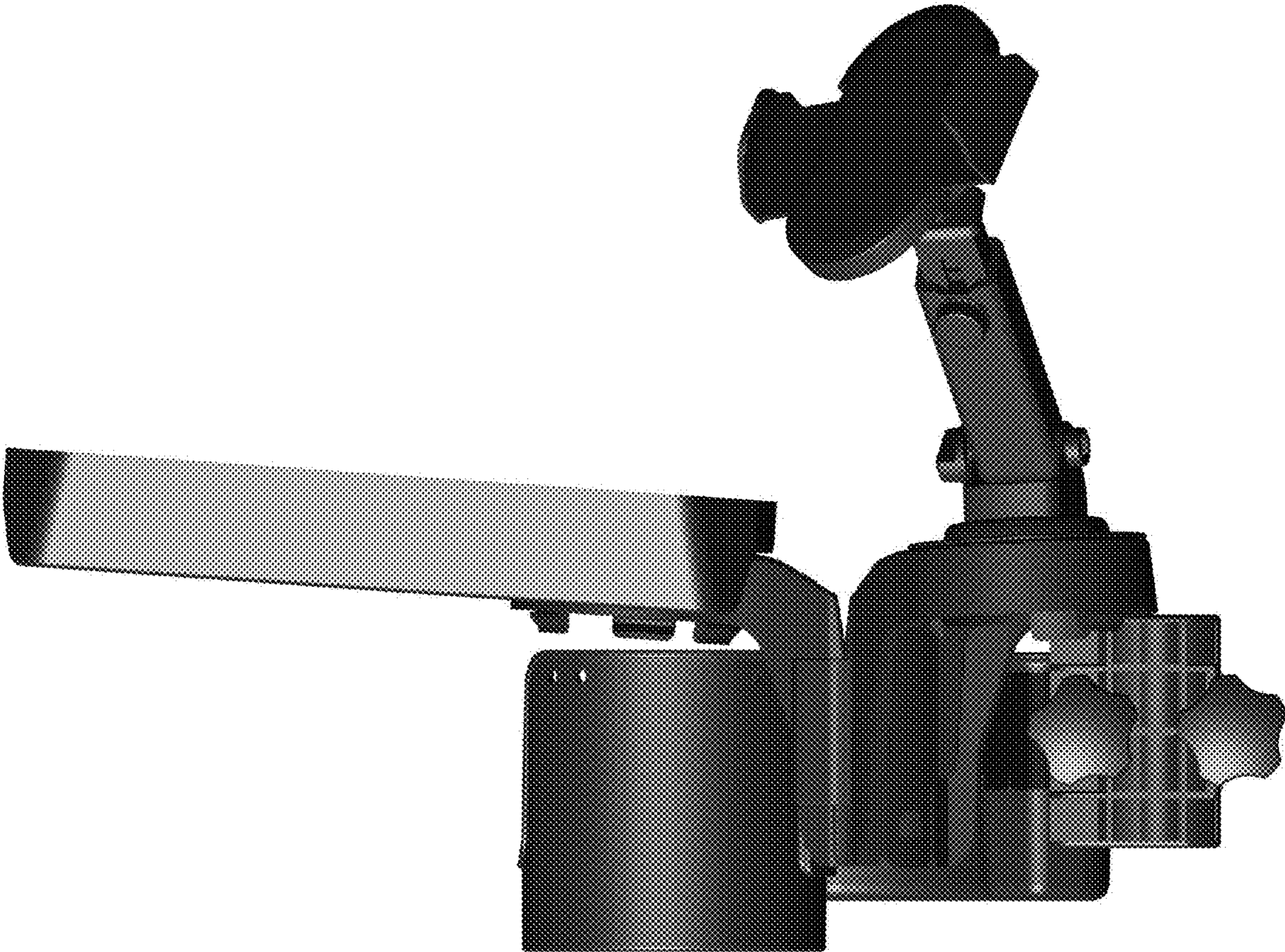


FIG. 2



FIG. 3

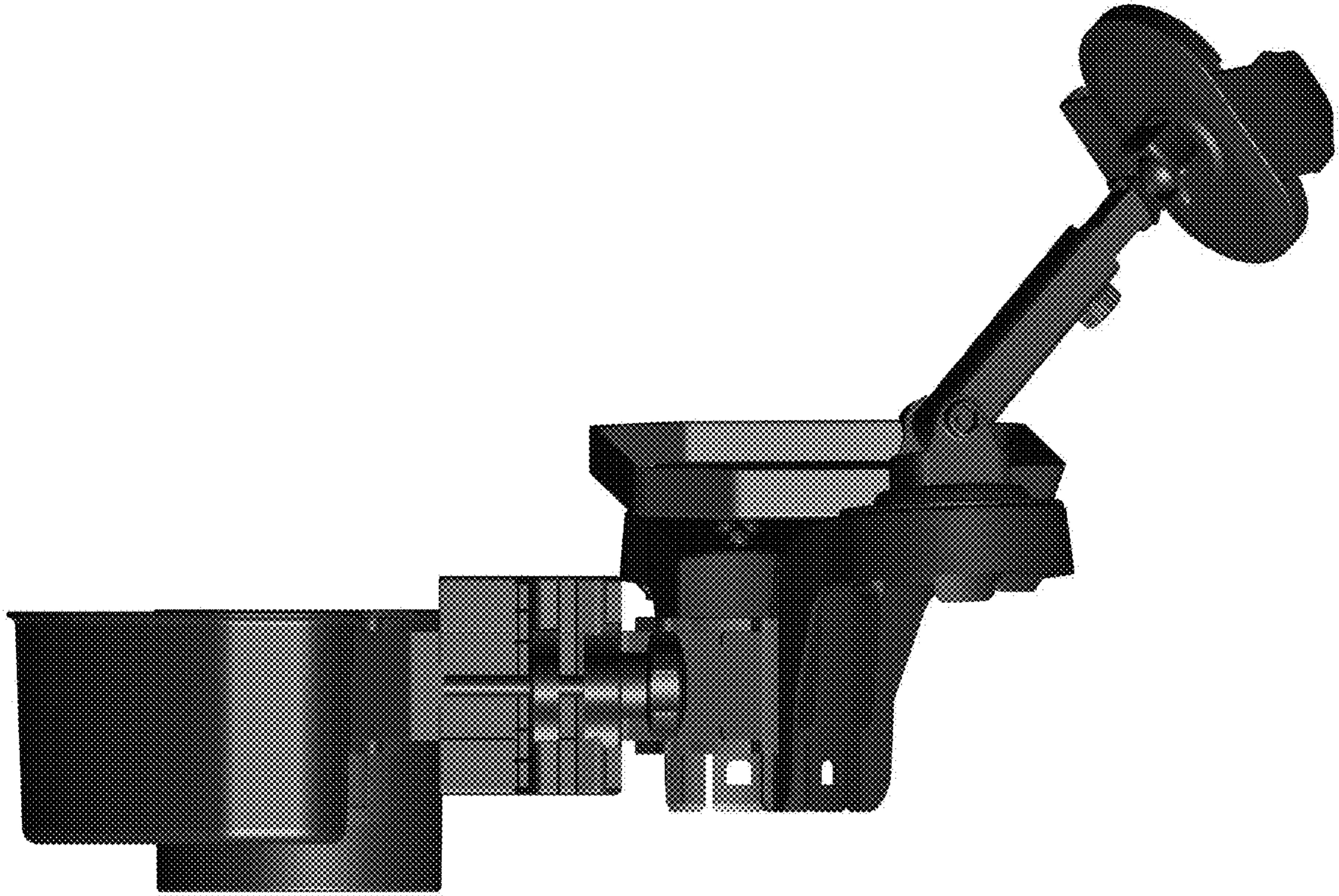


FIG. 4

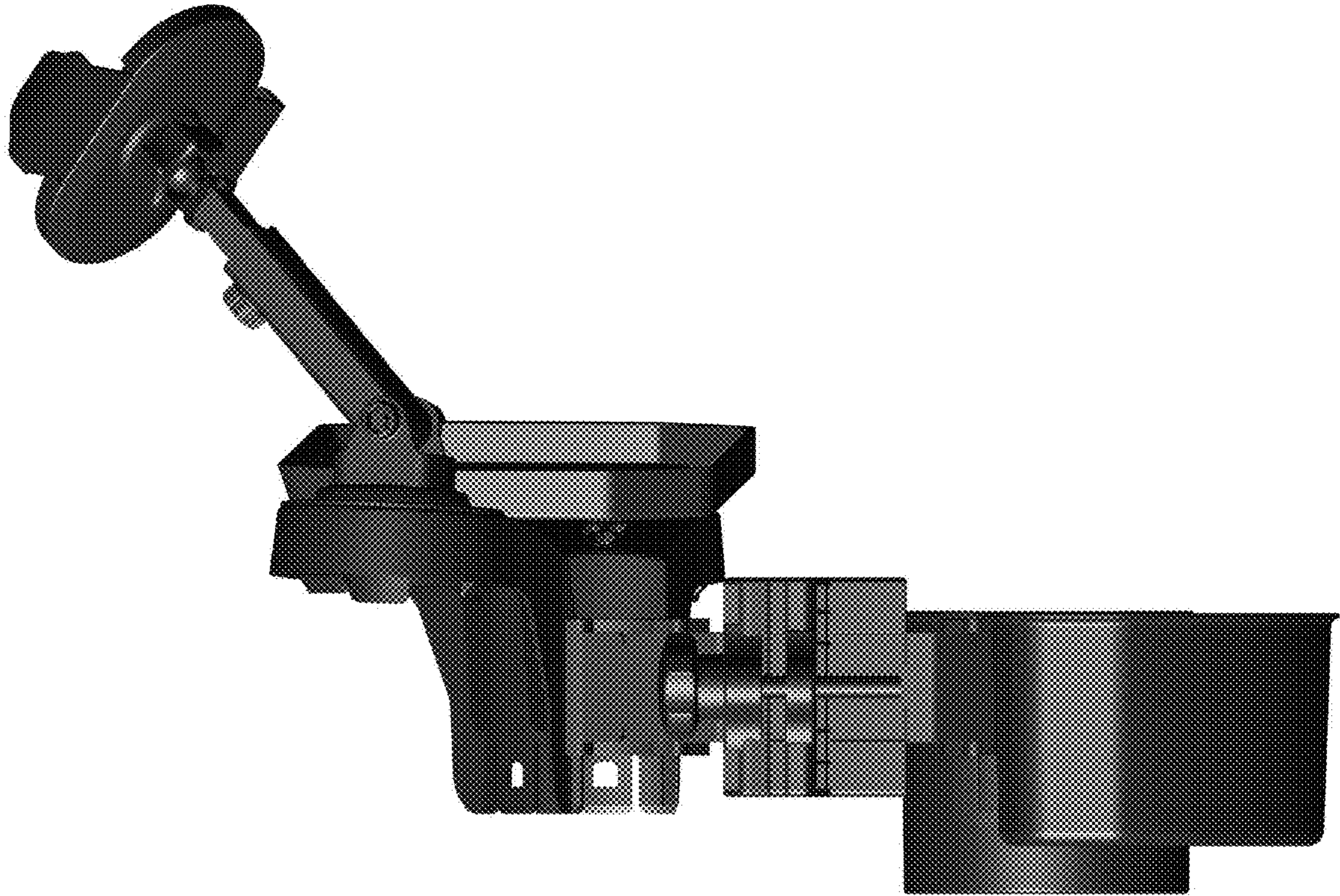


FIG. 5

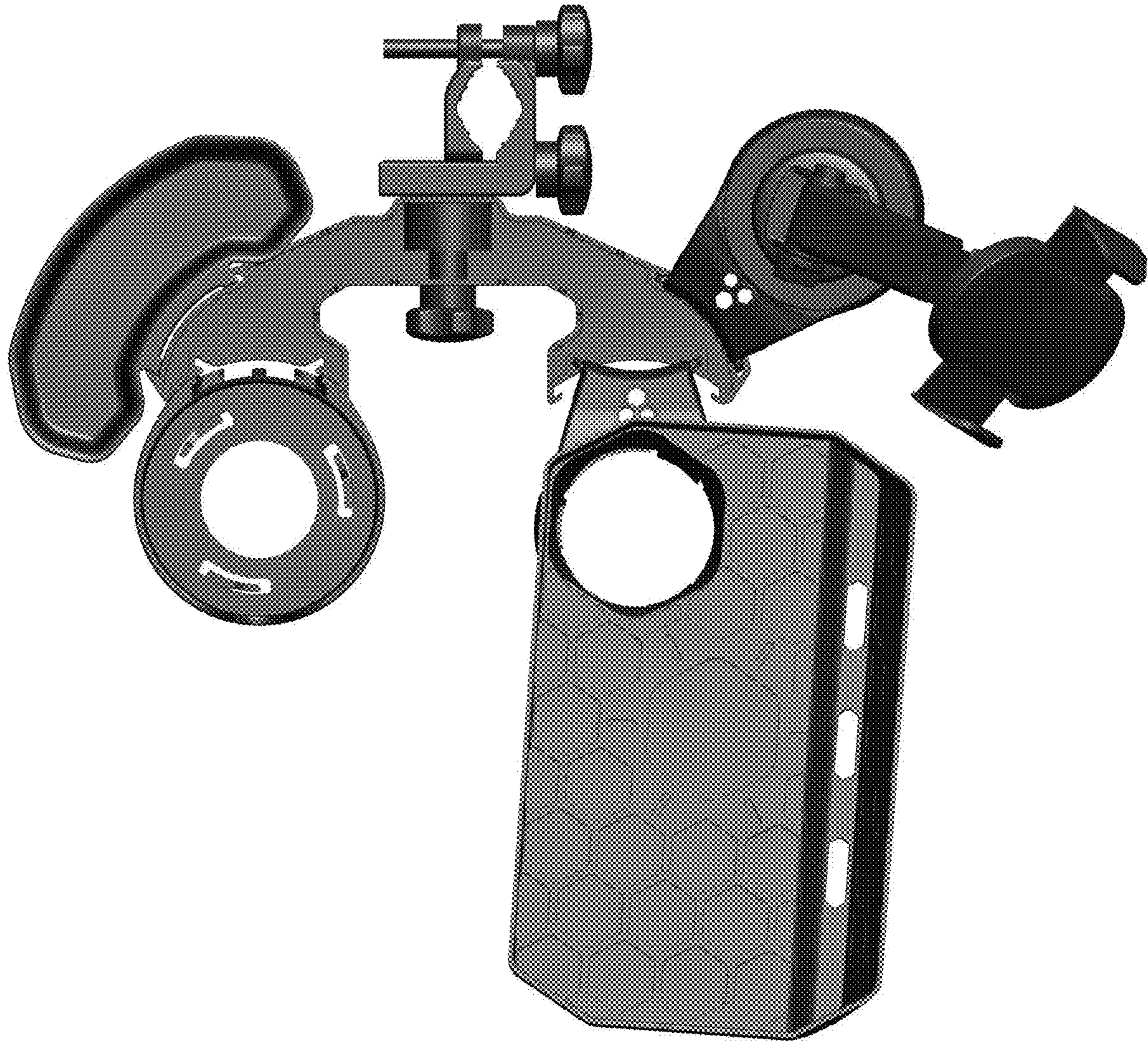


FIG. 6



FIG. 7



FIG. 8

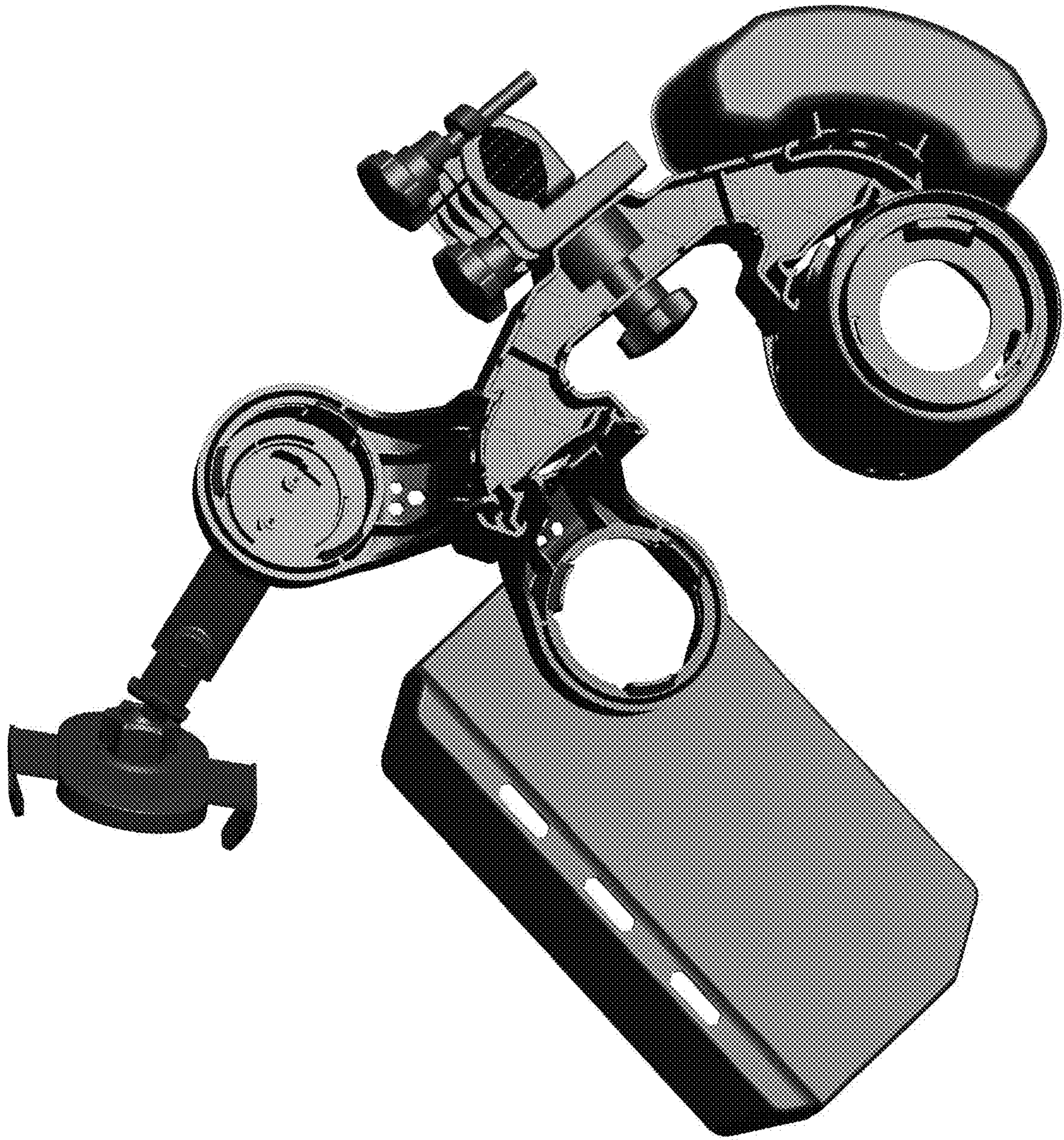


FIG. 9



FIG. 10