



US00D940635S

(12) **United States Design Patent** (10) **Patent No.:** **US D940,635 S**  
**Yang** (45) **Date of Patent:** **\*\* Jan. 11, 2022**

- (54) **CAR CUP HOLDER AND ATTACHABLE TRAY**
- (71) Applicant: **Guangzhou Jiaotu Information Technology Co., Ltd.,** Guangzhou (CN)
- (72) Inventor: **Taiping Yang,** Guangzhou (CN)
- (73) Assignee: **Guangzhou Jiaotu Information Technology Co., Ltd.,** Guangzhou (CN)
- (\*\*) Term: **15 Years**
- (21) Appl. No.: **29/775,917**
- (22) Filed: **Mar. 26, 2021**
- (51) **LOC (13) Cl.** ..... **12-16**
- (52) **U.S. Cl.**  
USPC ..... **D12/419**
- (58) **Field of Classification Search**  
USPC ..... D12/415, 419; D6/620  
CPC .. B60R 7/08; B60Q 3/225; B60Q 3/64; B60N 3/10  
See application file for complete search history.

- (56) **References Cited**  
U.S. PATENT DOCUMENTS  
D472,871 S \* 4/2003 Ramos ..... D12/419  
D675,882 S \* 2/2013 Crockett ..... D7/619.1  
D714,594 S 10/2014 Blandl et al.  
D735,636 S \* 8/2015 Wragg ..... D12/419  
D755,575 S 5/2016 Pratt  
D809,998 S \* 2/2018 Dabel ..... B60R 11/00  
D12/419  
D848,932 S \* 5/2019 Henderson ..... D12/419

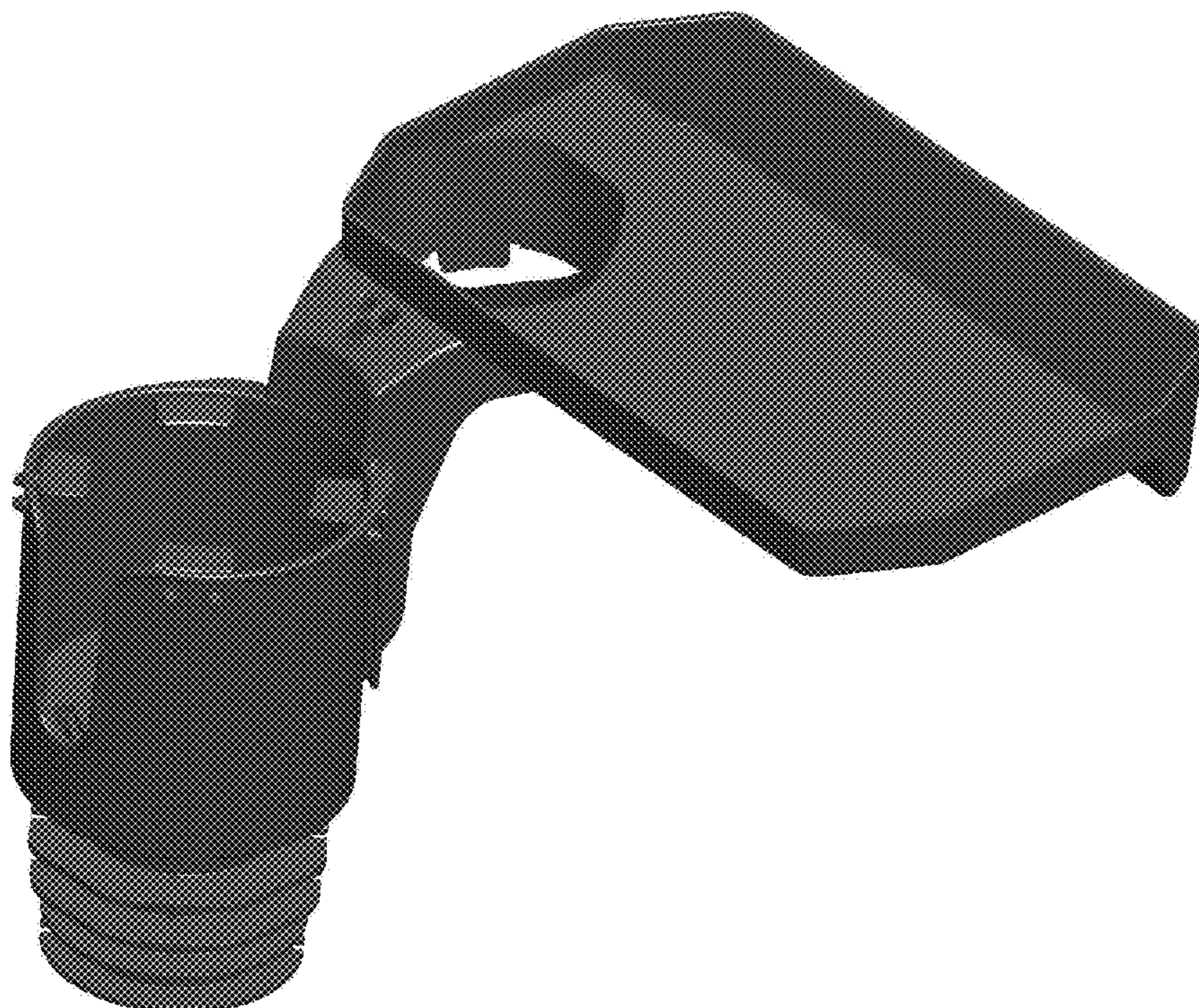
- D906,229 S \* 12/2020 Han ..... D12/419
- D917,375 S \* 4/2021 Cavallo ..... B60N 3/105  
D12/419
- D919,552 S \* 5/2021 Jeon ..... D12/419
- D925,300 S \* 7/2021 Chong ..... D7/620
- 2016/0255805 A1\* 9/2016 Jones ..... A01K 5/0114
- 2018/0009356 A1\* 1/2018 Liebowitz ..... B60N 3/002
- 2021/0029893 A1\* 2/2021 Cooley ..... A01G 9/0295

\* cited by examiner  
*Primary Examiner* — Katrina A Betton  
 (74) *Attorney, Agent, or Firm* — Zhihua Han; Wen IP LLC

(57) **CLAIM**  
 The ornamental design for a car cup holder and attachable tray, as shown and described.

**DESCRIPTION**  
 FIG. 1 is a front, top, and right perspective view of a car cup holder and attachable tray, showing my new design;  
 FIG. 2 is a top view thereof;  
 FIG. 3 is a bottom view thereof;  
 FIG. 4 is a rear elevation view thereof;  
 FIG. 5 is a front elevation view thereof;  
 FIG. 6 is a left side elevation view thereof;  
 FIG. 7 is right side elevation view thereof;  
 FIG. 8 is front, top, and left perspective view thereof;  
 FIG. 9 is rear, bottom, and left perspective view thereof; and,  
 FIG. 10 is an explosive view thereof, from front, top and left direction.

**1 Claim, 10 Drawing Sheets**





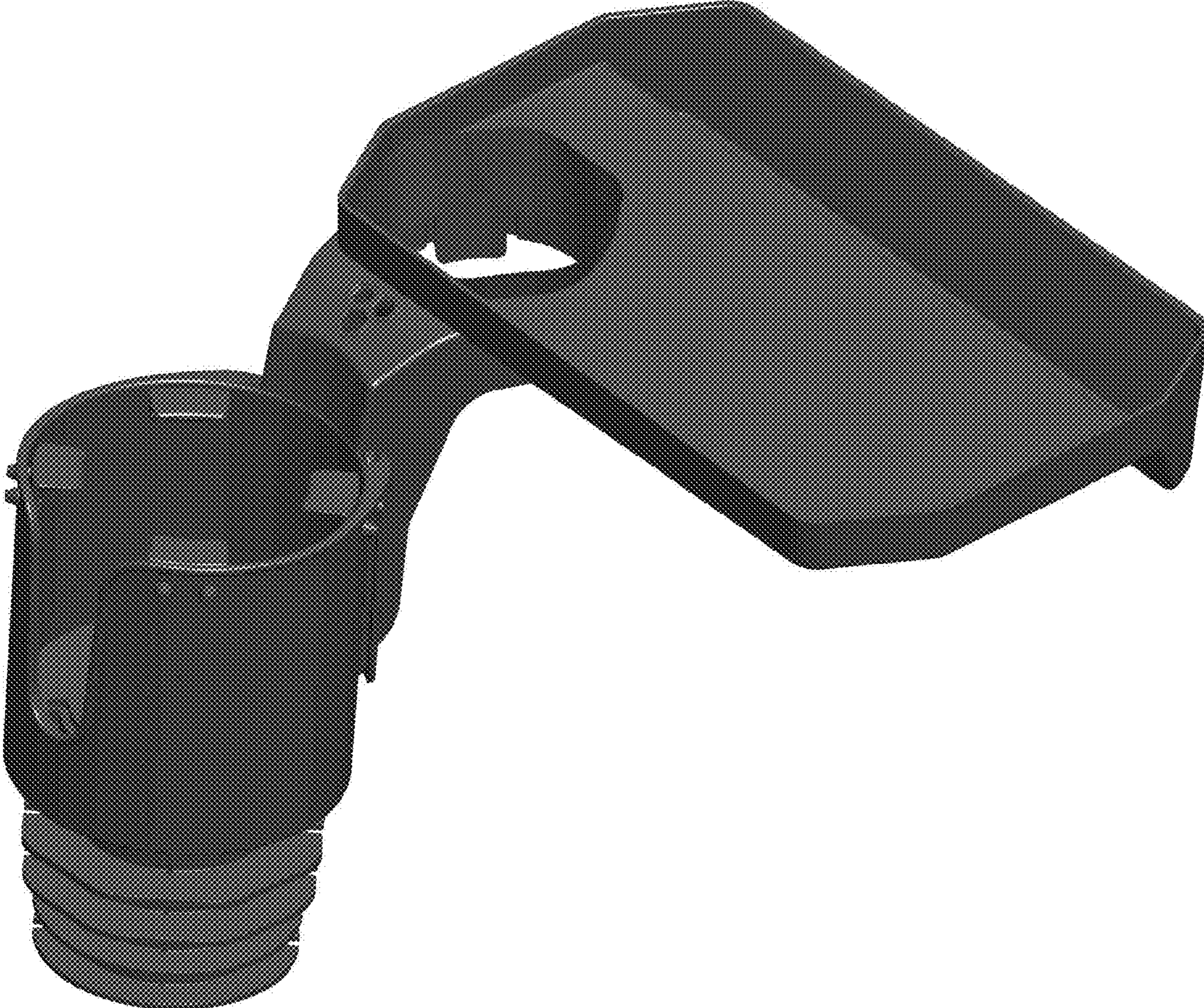


FIG. 1



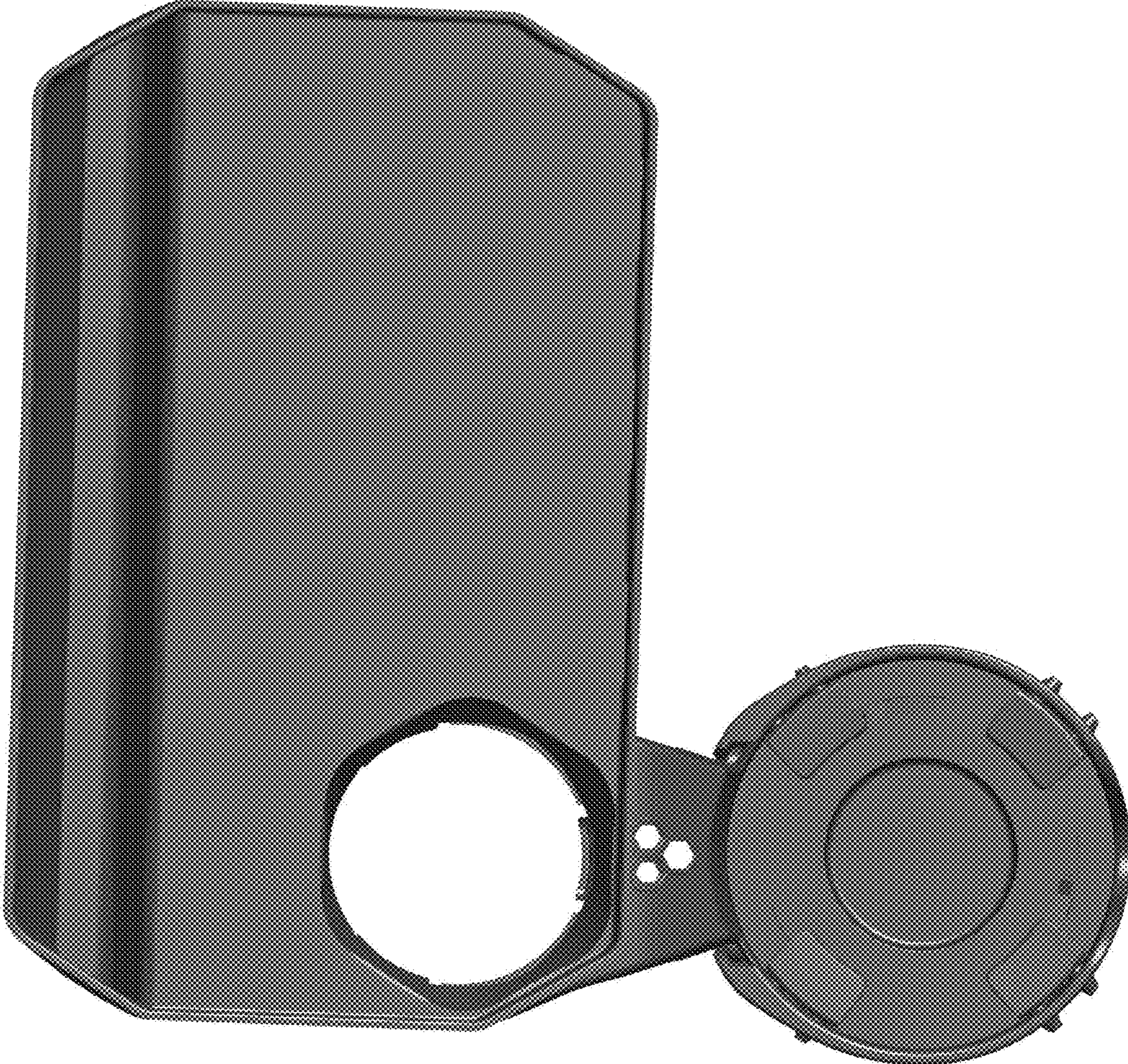


FIG. 2



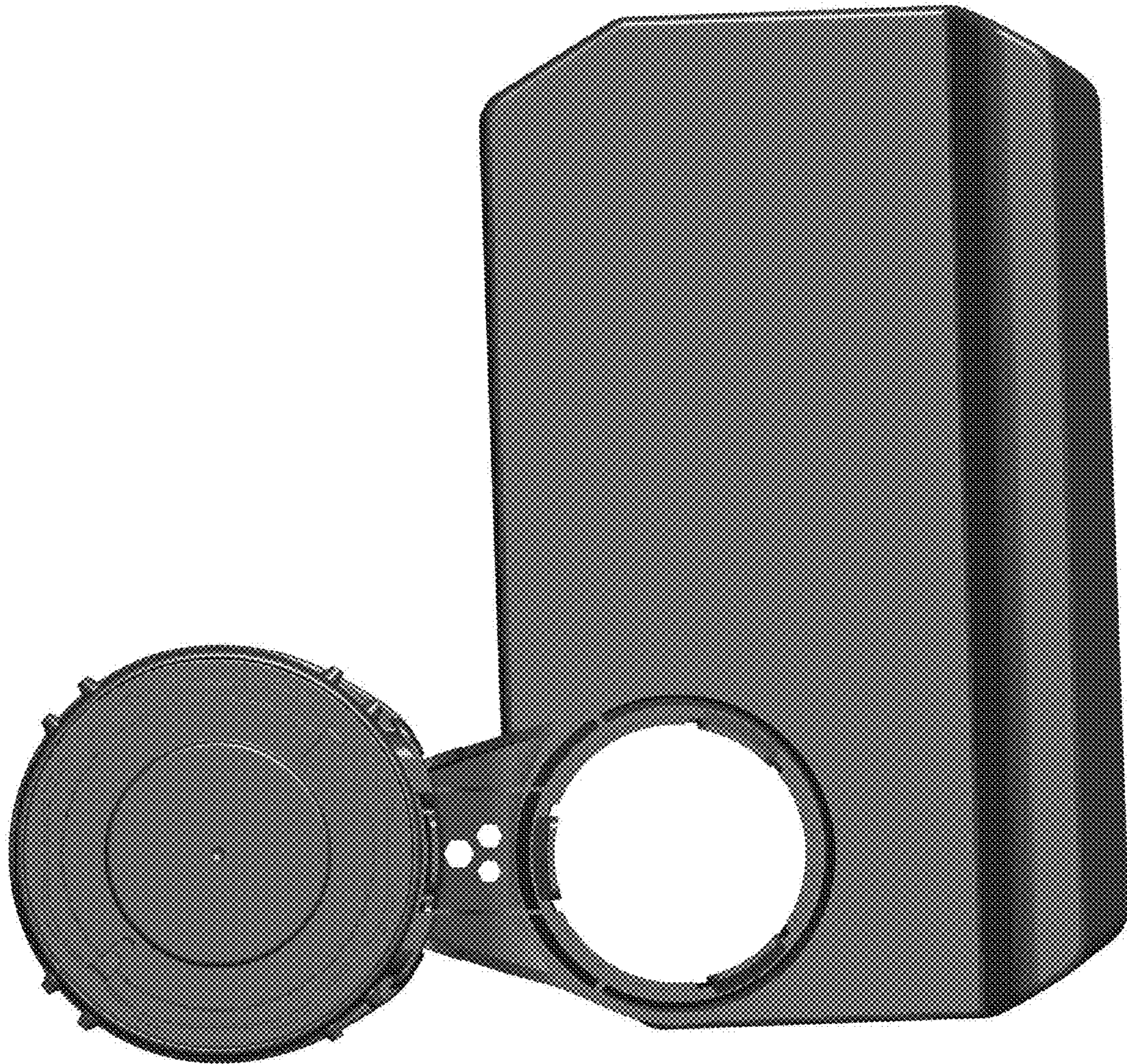


FIG. 3



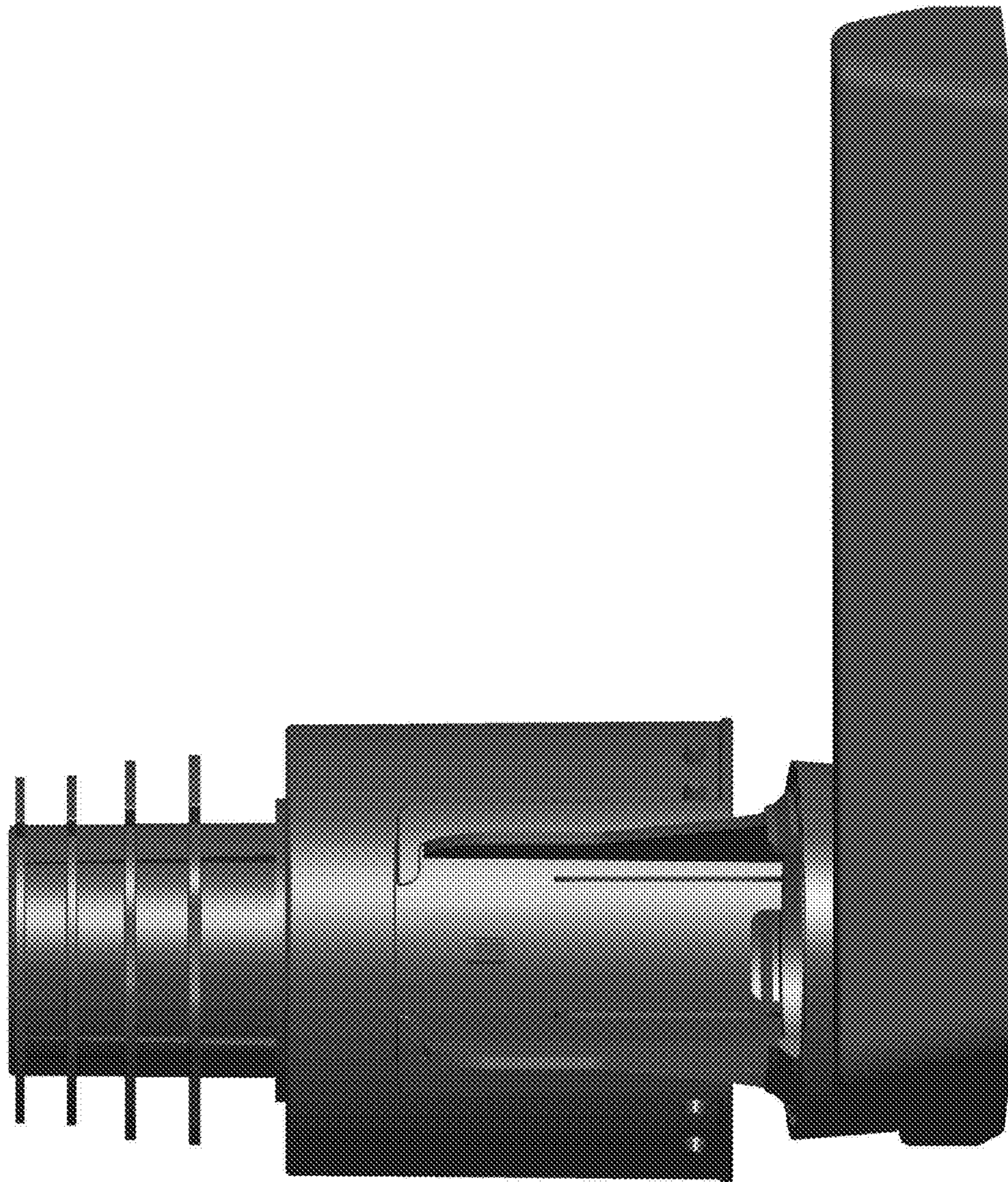


FIG. 4



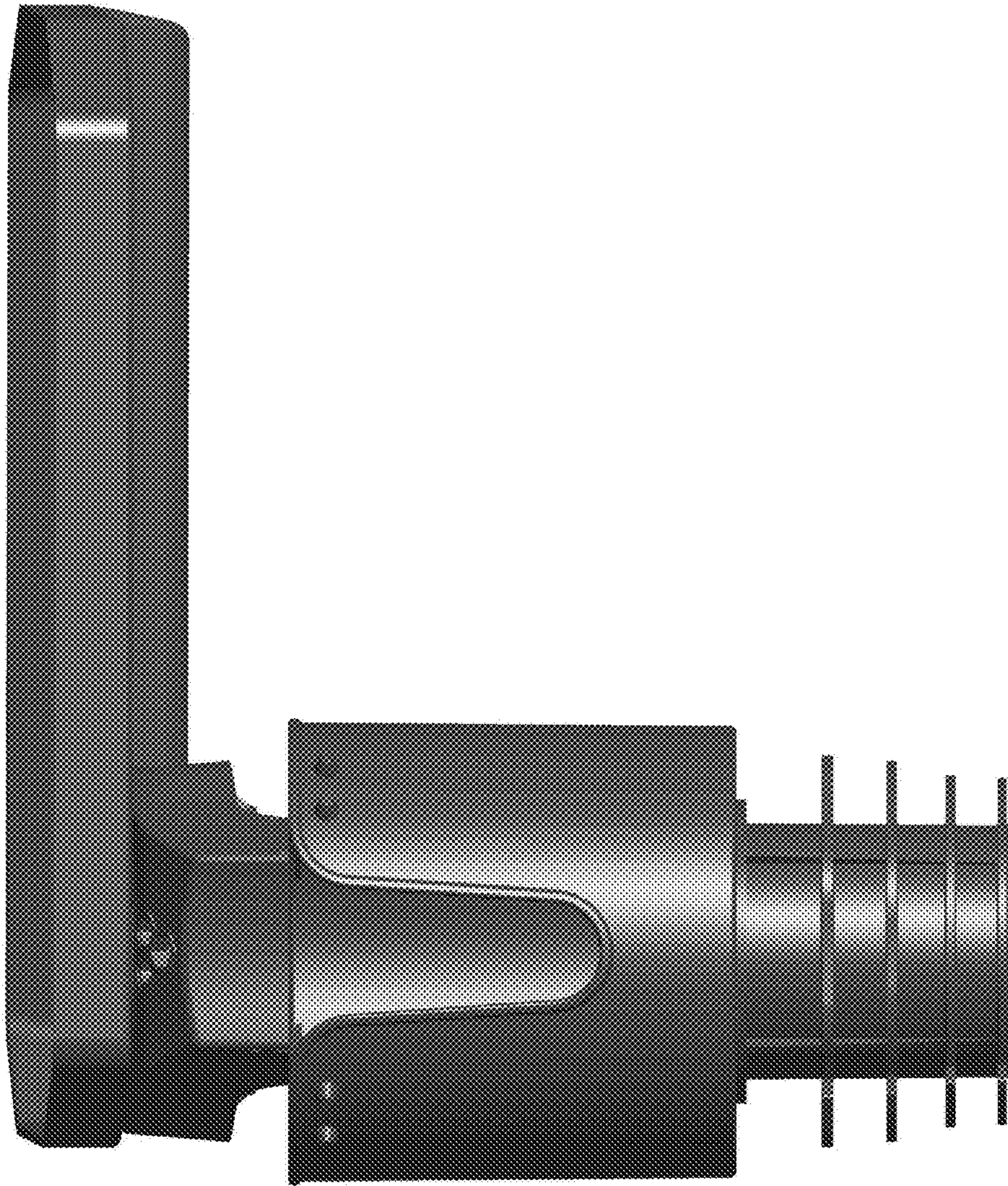


FIG. 5



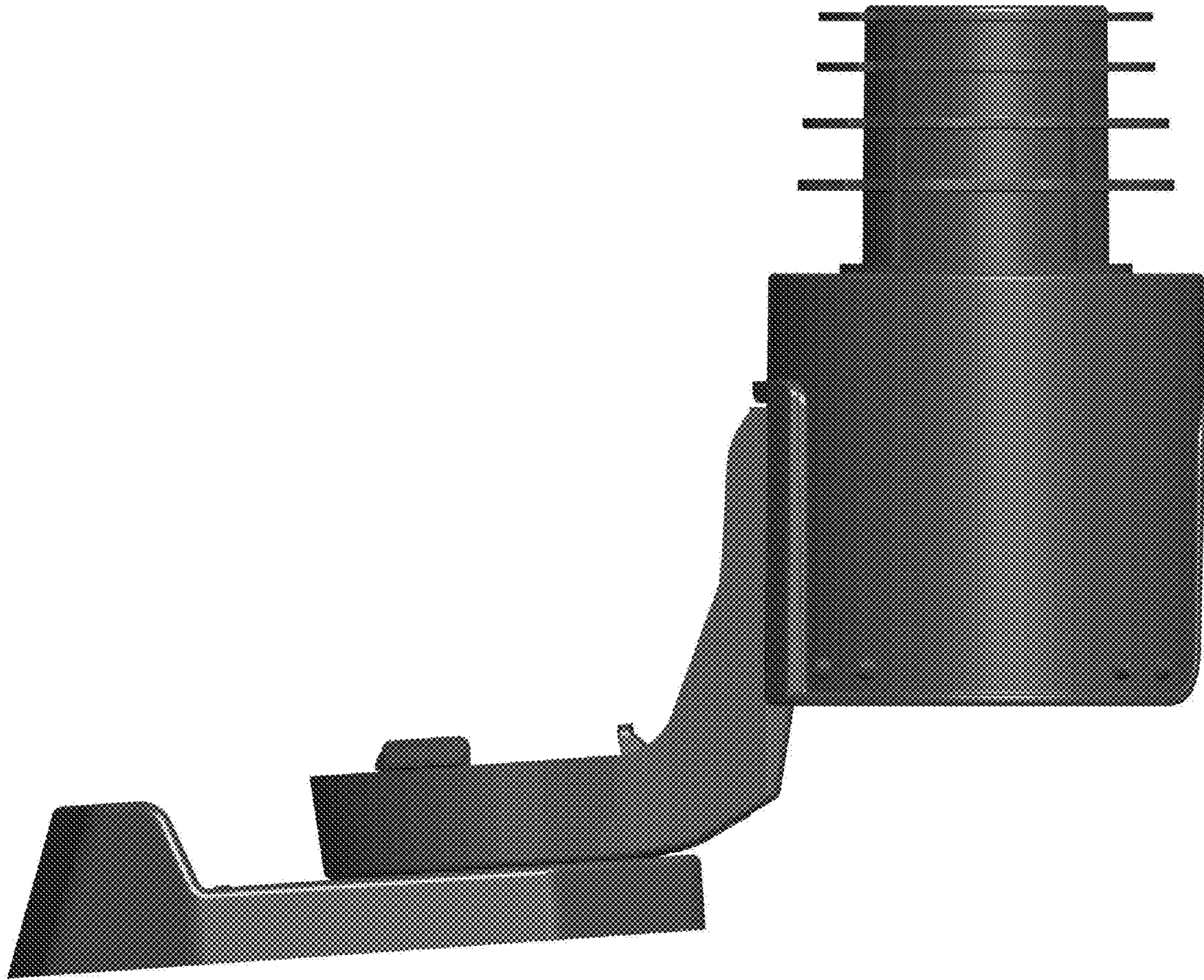


FIG. 6



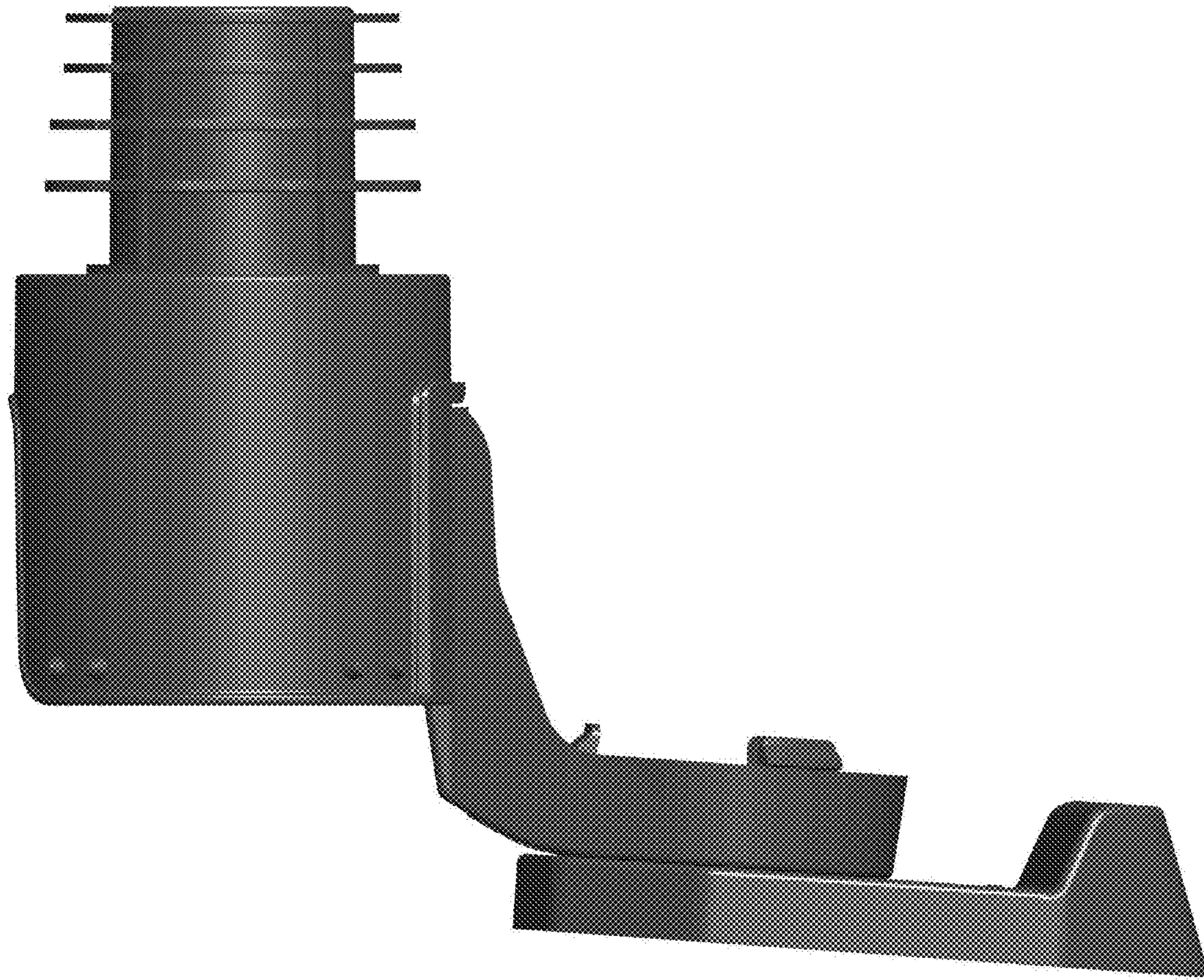


FIG. 7





FIG. 8





FIG. 9





FIG. 10