



US00D940634S

(12) **United States Design Patent**  
**Aizawa**

(10) **Patent No.:** **US D940,634 S**

(45) **Date of Patent:** **\*\* Jan. 11, 2022**

(54) **CENTER CONSOLE FOR AUTOMOBILE**

(71) Applicant: **Honda Motor Co., Ltd.**, Tokyo (JP)

(72) Inventor: **Yuta Aizawa**, Wako (JP)

(73) Assignee: **HONDA MOTOR CO., LTD.**, Tokyo (JP)

(\*\*) Term: **15 Years**

(21) Appl. No.: **29/734,804**

(22) Filed: **May 15, 2020**

(30) **Foreign Application Priority Data**

Nov. 28, 2019 (JP) ..... 2019-026394

(51) **LOC (13) Cl.** ..... **12-16**

(52) **U.S. Cl.**  
USPC ..... **D12/419**

(58) **Field of Classification Search**  
USPC ..... D12/419, 415; D7/620  
CPC ..... B60R 13/02; C03C 3/085; B60Q 3/64;  
B60Q 3/225; B60N 3/10  
See application file for complete search history.

(56) **References Cited**

**U.S. PATENT DOCUMENTS**

- D770,968 S \* 11/2016 Willis ..... D12/415
- D781,210 S \* 3/2017 Itou ..... D12/419
- D781,211 S \* 3/2017 Satou ..... D12/419
- D808,330 S \* 1/2018 Kuwahara ..... D12/419
- D830,951 S \* 10/2018 Karasawa ..... D12/419

- D832,187 S \* 10/2018 Buffery ..... D12/419
- D836,059 S \* 12/2018 Takagi ..... D12/415
- D836,060 S \* 12/2018 Takagi ..... D12/415
- D856,265 S \* 8/2019 Tomasson ..... D12/419
- D857,611 S \* 8/2019 Igarashi ..... D12/415
- D869,380 S \* 12/2019 Kabata ..... D12/415
- D876,319 S \* 2/2020 Buffery ..... D12/419
- D885,306 S \* 5/2020 Tomasson ..... D12/419

\* cited by examiner

*Primary Examiner* — Katrina A Betton

(74) *Attorney, Agent, or Firm* — Plumsea Law Group, LLC

(57) **CLAIM**

The ornamental design for a center console for automobile, as shown and described.

**DESCRIPTION**

FIG. 1 is a front right perspective view of a center console for automobile.  
 FIG. 2 is a front left perspective view thereof.  
 FIG. 3 is a front view thereof.  
 FIG. 4 is a rear view thereof.  
 FIG. 5 is a right side view thereof.  
 FIG. 6 is a left side view thereof.  
 FIG. 7 is a top view thereof.  
 FIG. 8 is a bottom view thereof; and,  
 FIG. 9 is a front right perspective view thereof with the lid open.  
 The broken lines shown in the drawings illustrate portions of the center console for automobile that form no part of the claimed design.

**1 Claim, 9 Drawing Sheets**

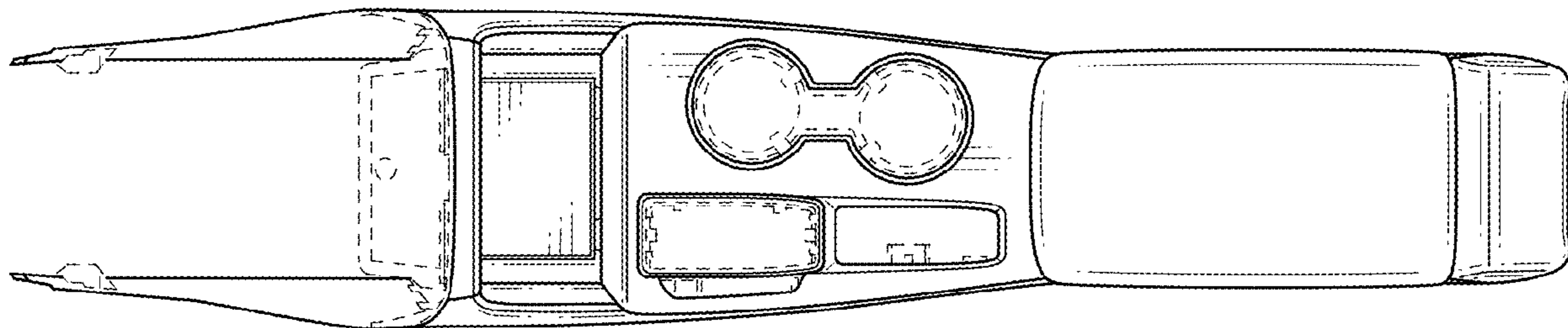


FIG. 1

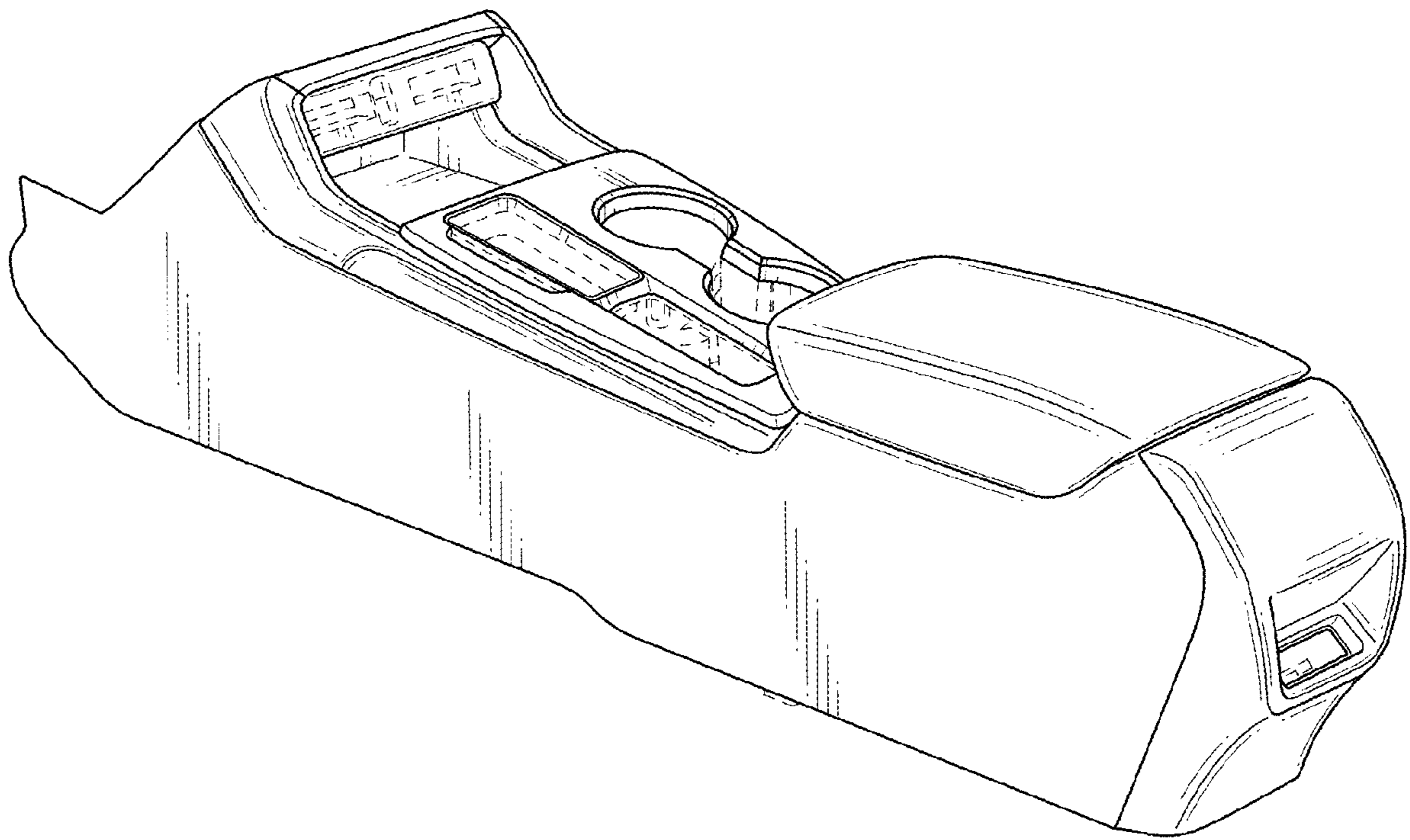


FIG. 2

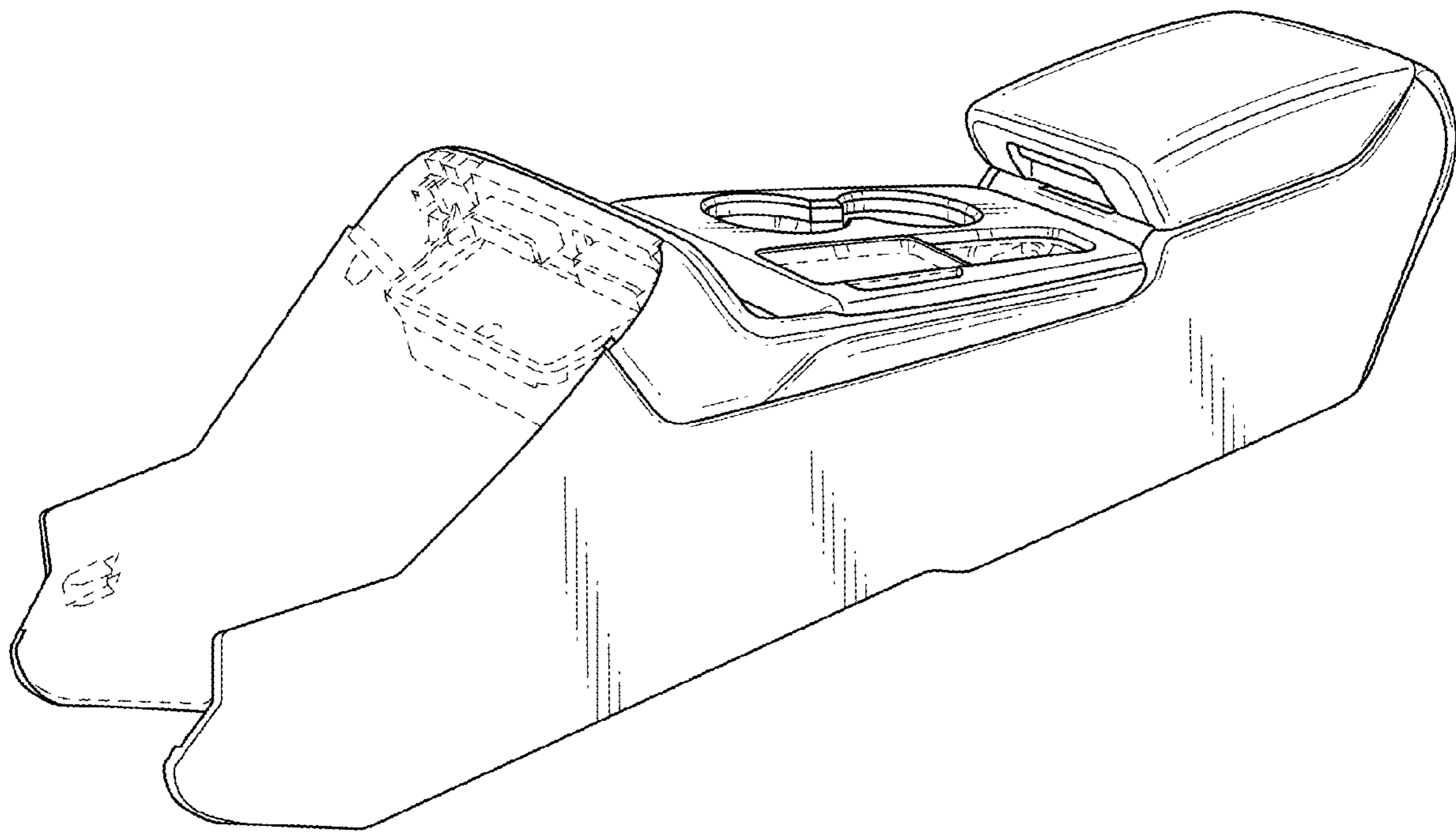


FIG. 3

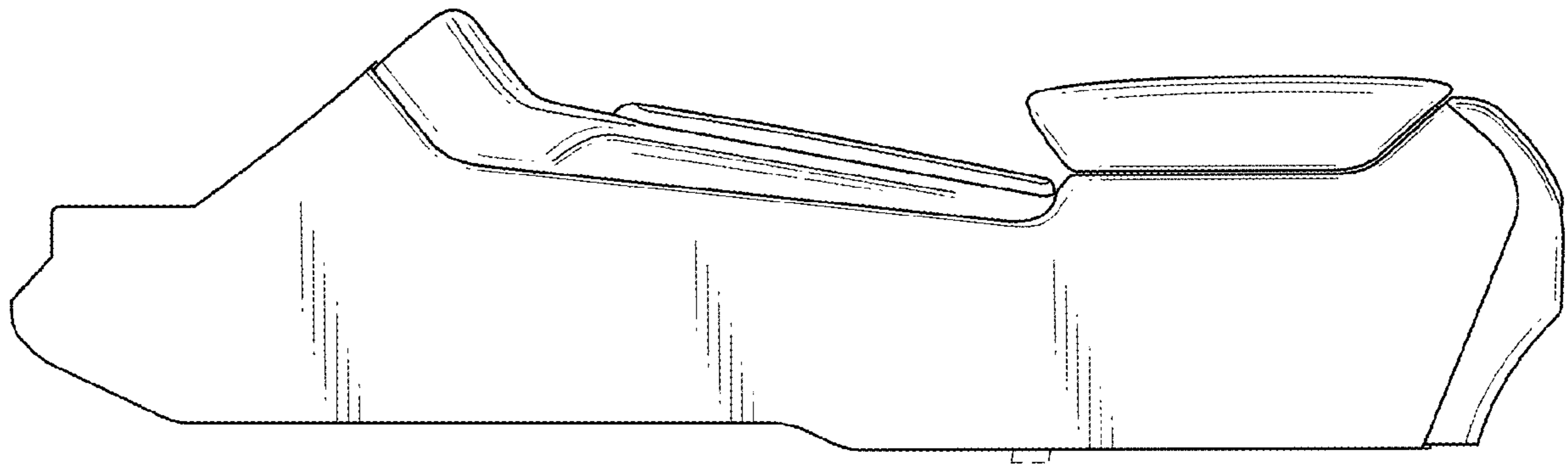


FIG. 4

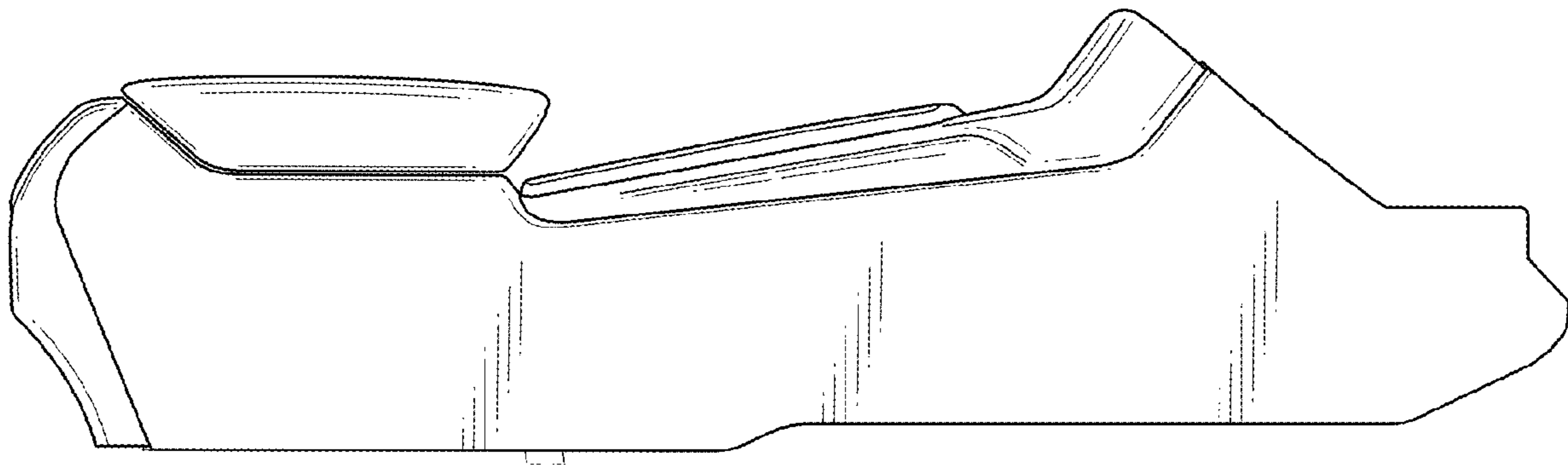


FIG. 5

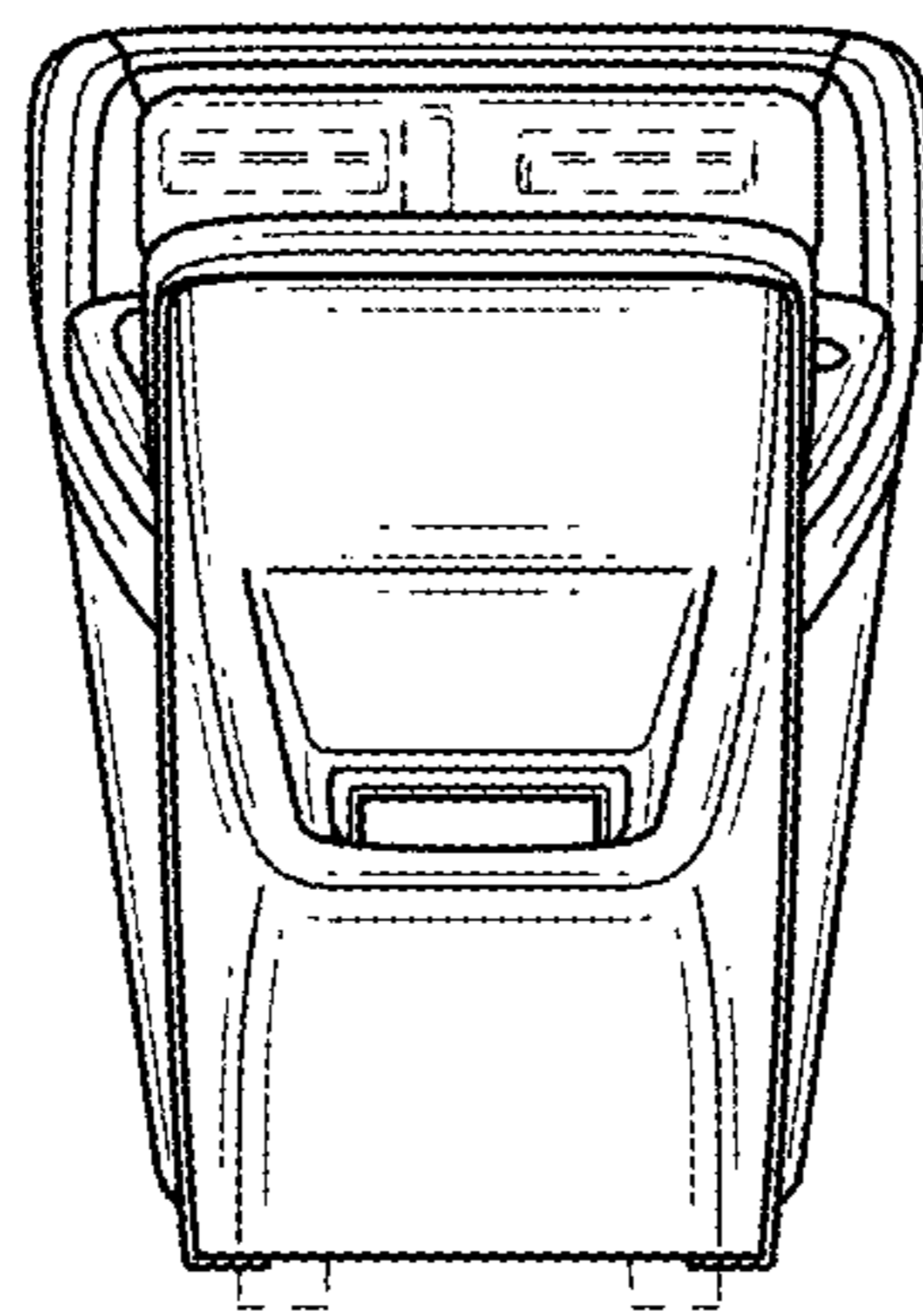


FIG. 6

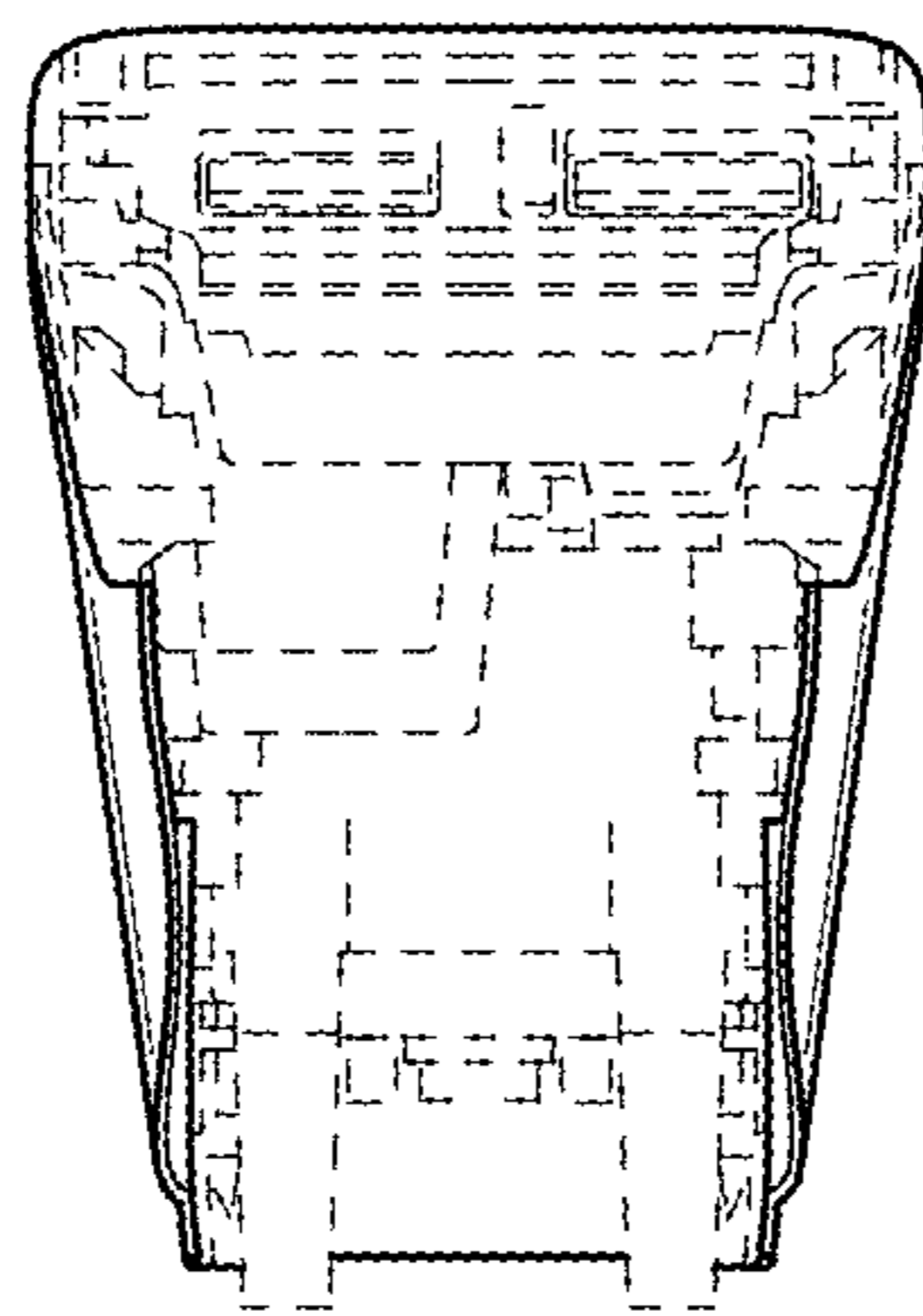




FIG. 7

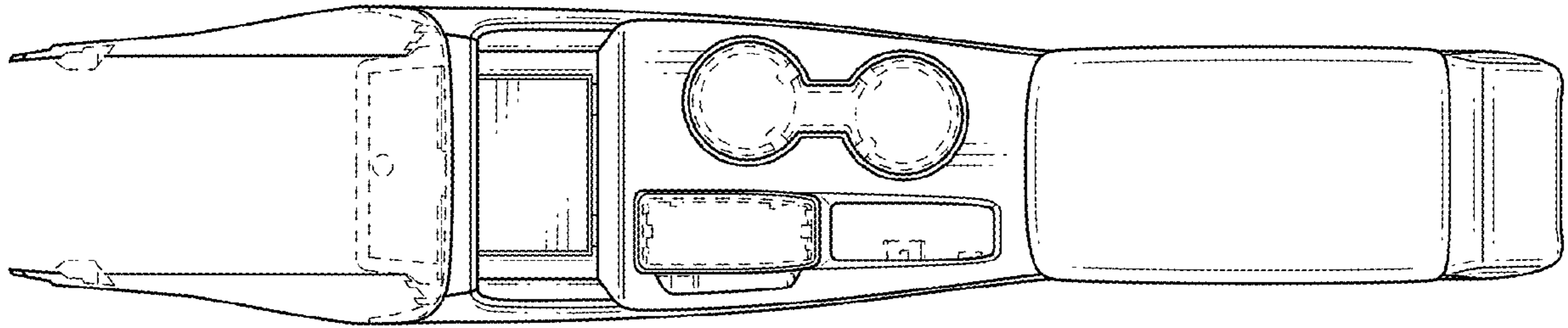




FIG. 8

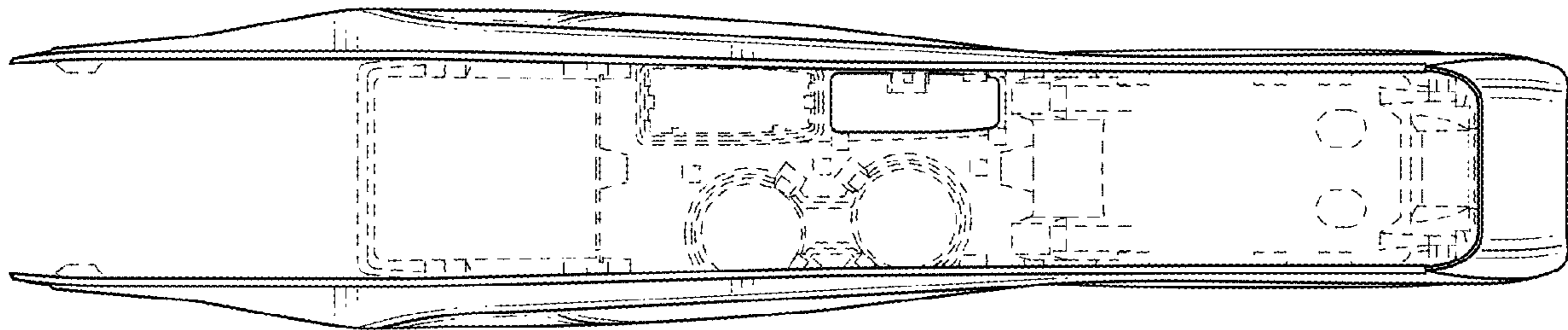


FIG. 9

