



US00D940632S

(12) **United States Design Patent**
Susterman

(10) **Patent No.:** **US D940,632 S**

(45) **Date of Patent:** **** Jan. 11, 2022**

(54) **JK JEEP GRILL COVER**

(71) Applicant: **Spirit, LLC**, Miami Gardens, FL (US)

(72) Inventor: **Alberto Susterman**, Miami Gardens, FL (US)

(73) Assignee: **Spirit LLC**, Miami Gardens, FL (US)

(**) Term: **15 Years**

(21) Appl. No.: **29/726,794**

(22) Filed: **Mar. 5, 2020**

(51) **LOC (13) Cl.** **12-16**

(52) **U.S. Cl.**
USPC **D12/415**

(58) **Field of Classification Search**
USPC D12/192, 415, 110, 114, 169, 196, 86,
D12/163, 190; D10/46, 98, 102-103,
D10/122-127; 293/113, 102;
280/750-752; 296/190.1-19.09, 191
CPC G08G 1/096883; G08G 1/00; G01C 21/16;
G01C 21/3688; G01C 21/30; B60R
19/00; B60R 19/52; B60K 11/00; B60K
11/08; B62D 25/00; B62D 25/08

See application file for complete search history.

(56) **References Cited**

U.S. PATENT DOCUMENTS

D697,853 S *	1/2014	Uk Chang	D12/192
D791,663 S *	7/2017	Gonzalez	D12/192
D808,874 S *	1/2018	Gao	D12/192
D838,656 S *	1/2019	Tomasson	D12/415
D891,316 S *	7/2020	Shao	D12/163

* cited by examiner

Primary Examiner — Abraham Bahta

(74) *Attorney, Agent, or Firm* — Bay State IP, LLC

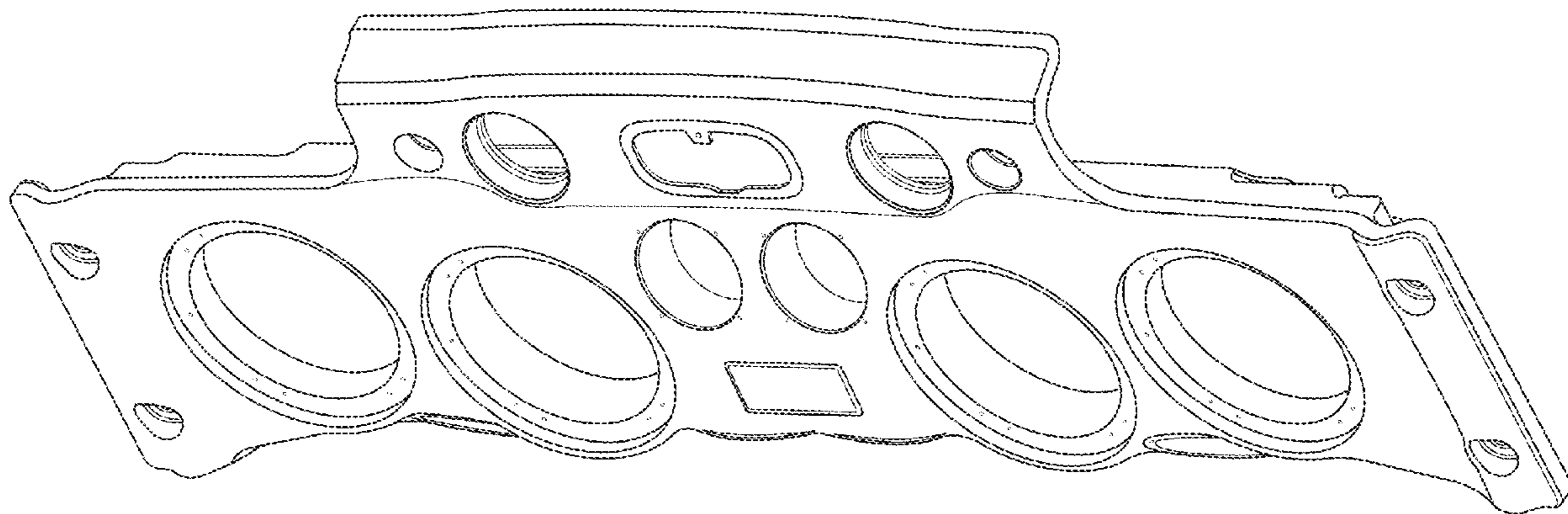
(57) **CLAIM**

The ornamental design for a JK jeep grill cover, as shown and described.

DESCRIPTION

FIG. 1 is a top front perspective view of the JK jeep grill cover showing my new design; FIG. 2 is a front view thereof; FIG. 3 is a back view thereof; FIG. 4 is a side view thereof; FIG. 5 is a top view thereof; and, FIG. 6 is a bottom view thereof.

1 Claim, 6 Drawing Sheets



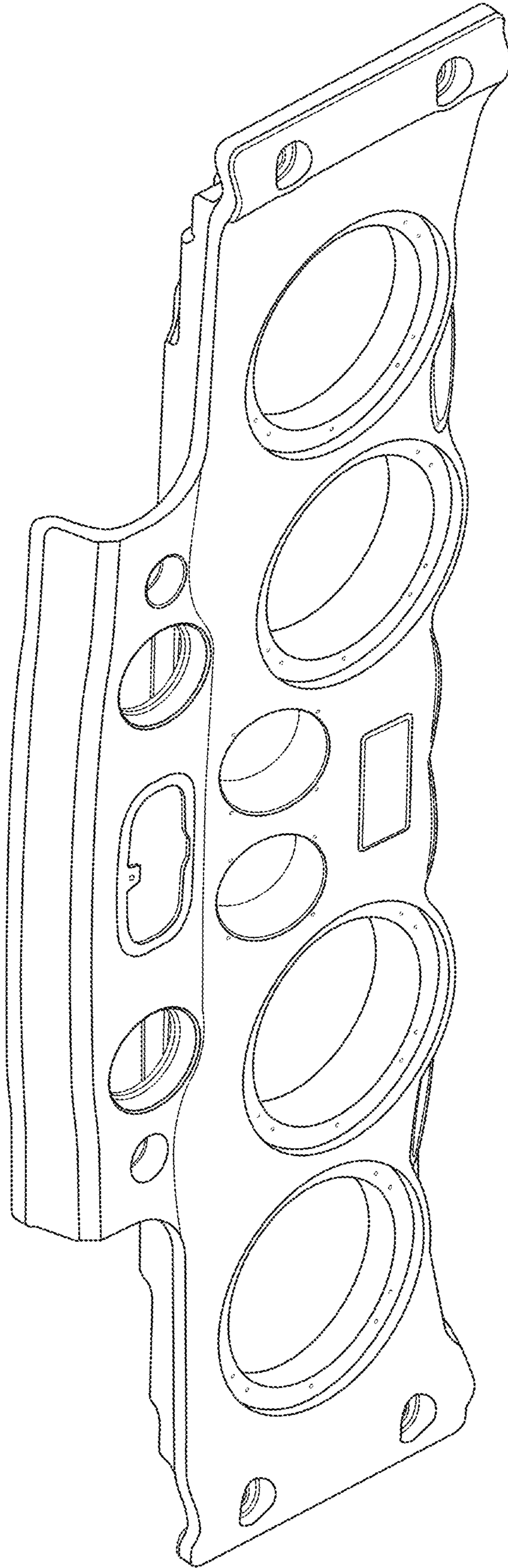


Fig. 1

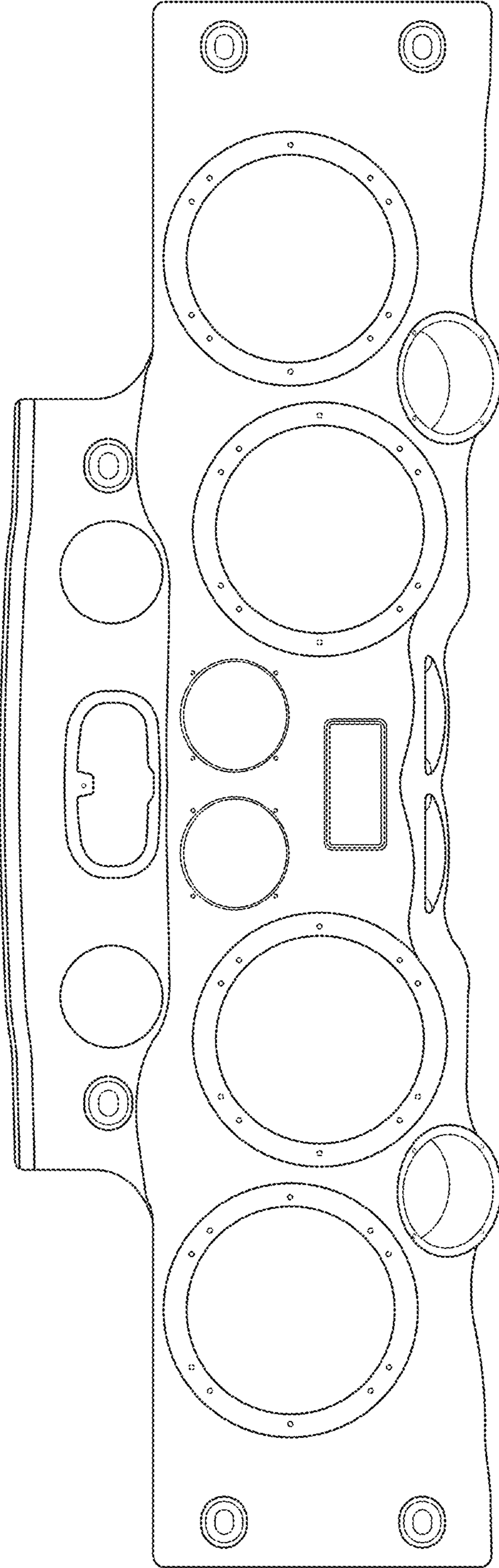


Fig. 2

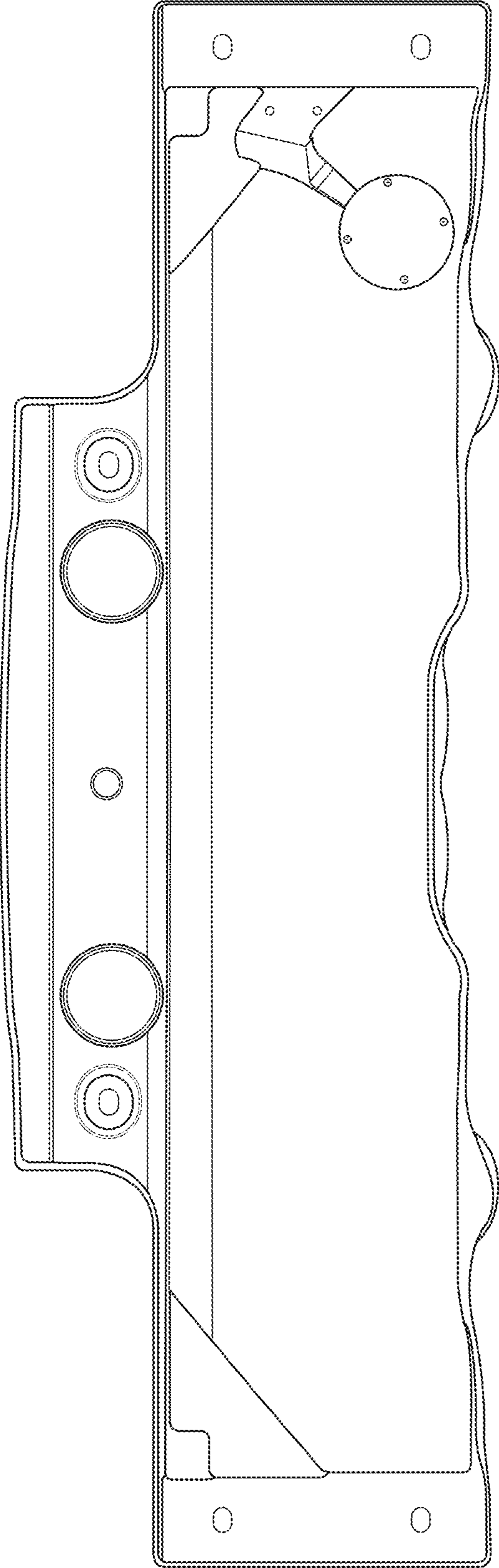


Fig. 3

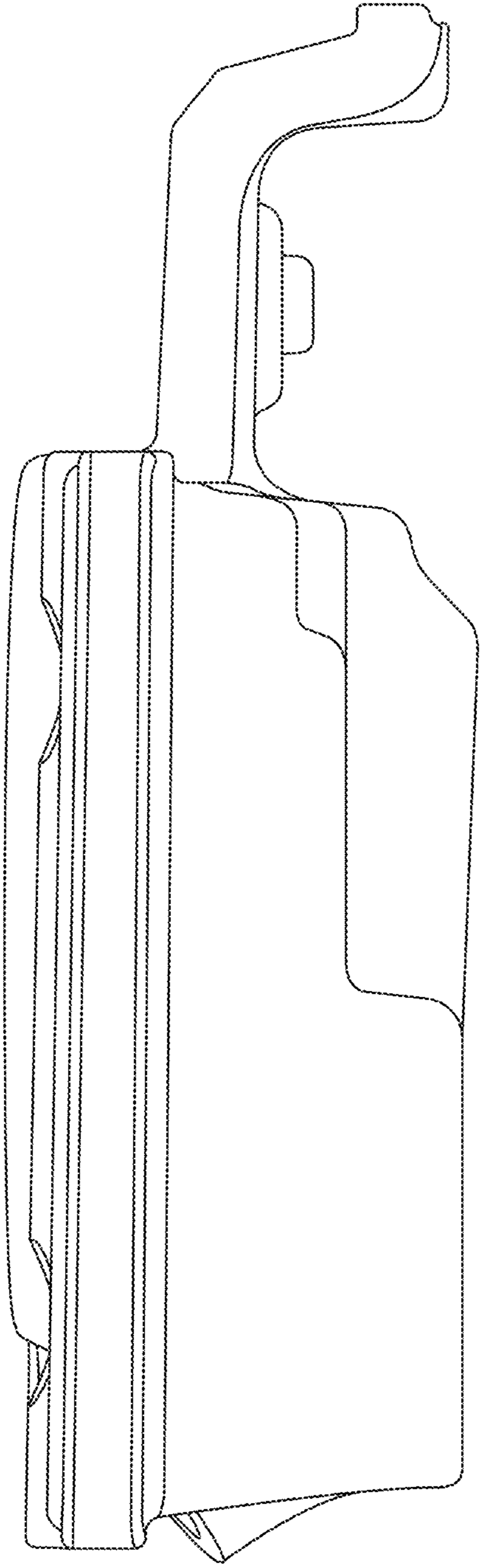


Fig. 4

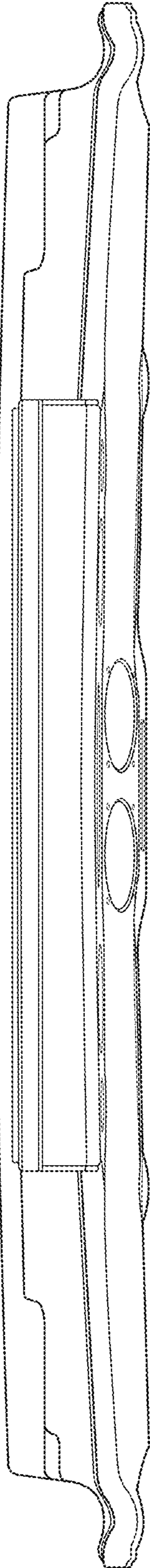


Fig. 5

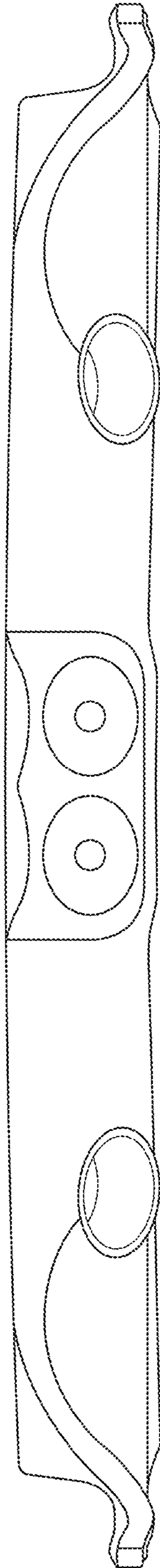


Fig. 6