



US00D940631S

(12) **United States Design Patent**
Gangappa et al.

(10) **Patent No.:** **US D940,631 S**

(45) **Date of Patent:** **** Jan. 11, 2022**

- (54) **TOOL HOLDER**
- (71) Applicant: **Rhino Rack Australia Pty Limited**,
Eastern Creek (AU)
- (72) Inventors: **Chandrashekar Thippasandra**
Gangappa, Sydney (AU); **William**
Davis, Sydney (AU)
- (73) Assignee: **Rhino Rack Australia Pty Limited**,
Eastern Creek (AU)
- (**) Term: **15 Years**
- (21) Appl. No.: **29/746,091**
- (22) Filed: **Aug. 11, 2020**
- (30) **Foreign Application Priority Data**
Feb. 10, 2020 (AU) 202010768
- (51) **LOC (13) Cl.** **12-16**
- (52) **U.S. Cl.**
USPC **D12/412**
- (58) **Field of Classification Search**
USPC D12/401-414; D6/610-611, 552;
D3/304-306
CPC B60R 9/00; B60R 9/02; B60R 9/04; B60R
9/08; B60R 9/042; B60R 9/0423; B60R
9/0426; B60R 9/045; B60R 9/048; B60R
9/0485; B60R 9/05; B60R 9/052; B60R
9/055; B60R 9/058; B60R 9/06; B60R
9/065; B60R 9/10; B60R 9/12
See application file for complete search history.
- (56) **References Cited**
U.S. PATENT DOCUMENTS
D637,949 S * 5/2011 Farber D12/412
D751,971 S * 3/2016 Patel B60R 9/045
D12/406

- D812,546 S * 3/2018 Johnson B60R 9/06
D12/406
- D830,947 S * 10/2018 Adler D12/406
- 10,384,587 B2 * 8/2019 Flaherty B60P 3/1008
- D895,530 S * 9/2020 Lathrop D12/412
- D919,550 S * 5/2021 Teng D12/412
- D922,931 S * 6/2021 Badillo D12/412
- 2010/0219312 A1 * 9/2010 Johnson F16M 13/027
248/231.81
- 2018/0361901 A1 * 12/2018 Cheung B60N 3/102
- 2019/0023340 A1 * 1/2019 Sievers-Paulsen B62J 9/00
- 2019/0092206 A1 * 3/2019 Rauch B60N 3/104
- 2020/0323188 A1 * 10/2020 Beasley, Jr. B60R 9/08

* cited by examiner

Primary Examiner — Katrina A Betton

(74) *Attorney, Agent, or Firm* — Bakos & Kritzer

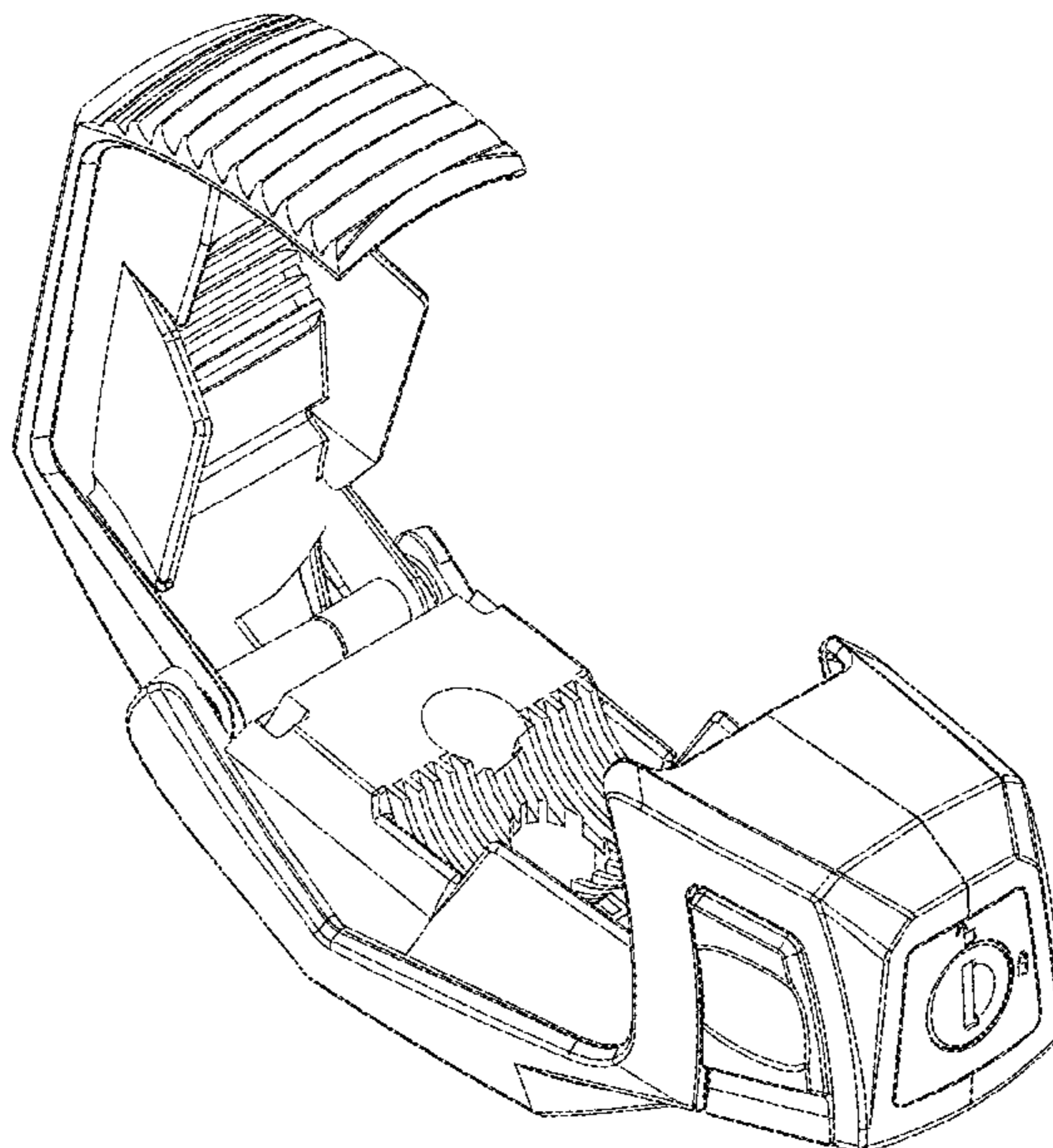
(57) **CLAIM**

The ornamental design of a tool holder, as shown and described.

DESCRIPTION

FIG. 1 is a top right perspective view of a tool holder showing the new design;
 FIG. 2 is a bottom right perspective view thereof;
 FIG. 3 is a front view thereof;
 FIG. 4 is a rear view thereof;
 FIG. 5 is a left side view thereof;
 FIG. 6 is a right side view thereof.
 FIG. 7 is a top view thereof;
 FIG. 8 is a bottom view thereof;
 FIG. 9 is a top left perspective view of the tool holder in a closed position;
 FIG. 10 is a top left perspective view of the tool holder in a partially open position; and,
 FIG. 11 is a top left perspective view of the tool holder in a fully open position.

1 Claim, 11 Drawing Sheets



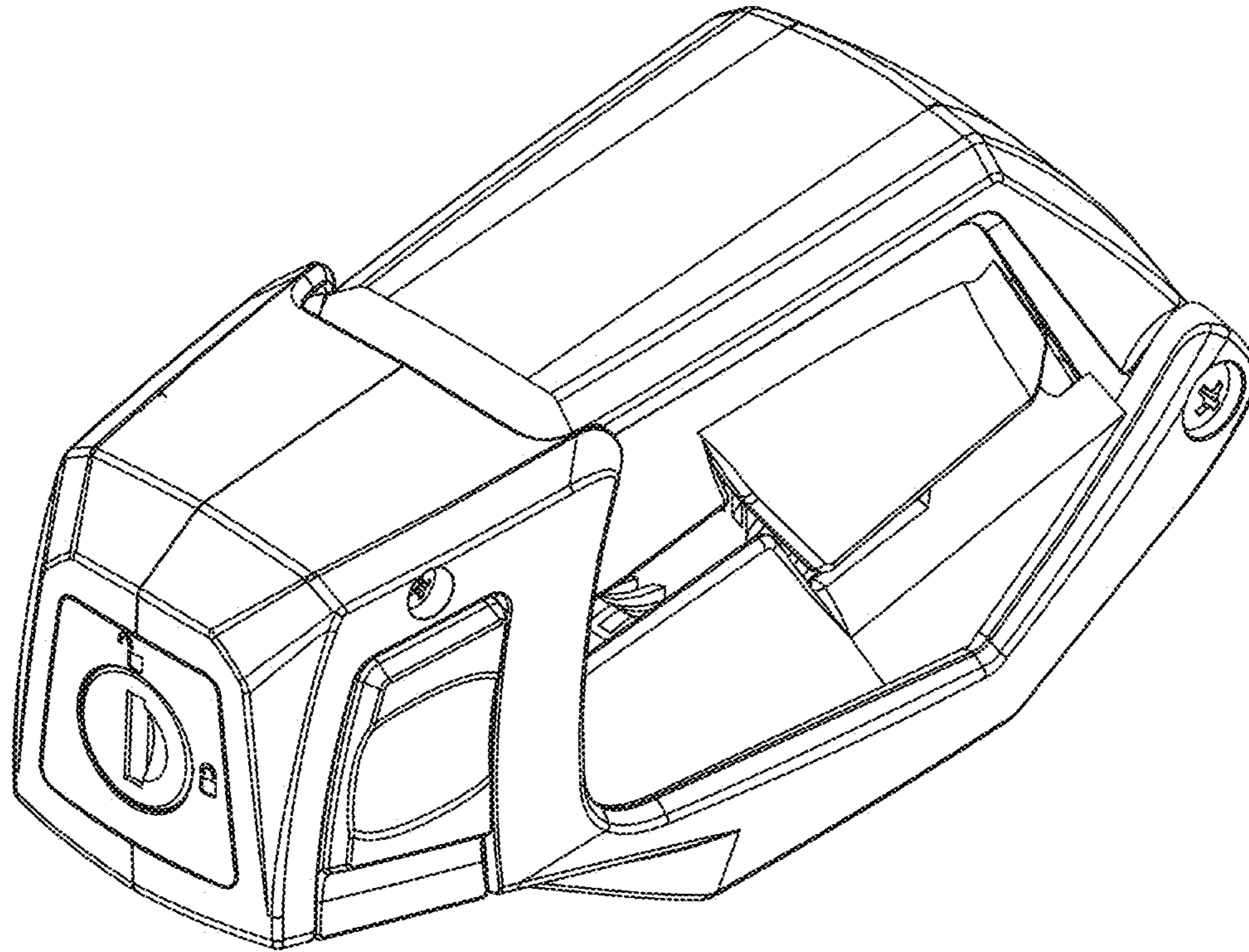


FIG. 1

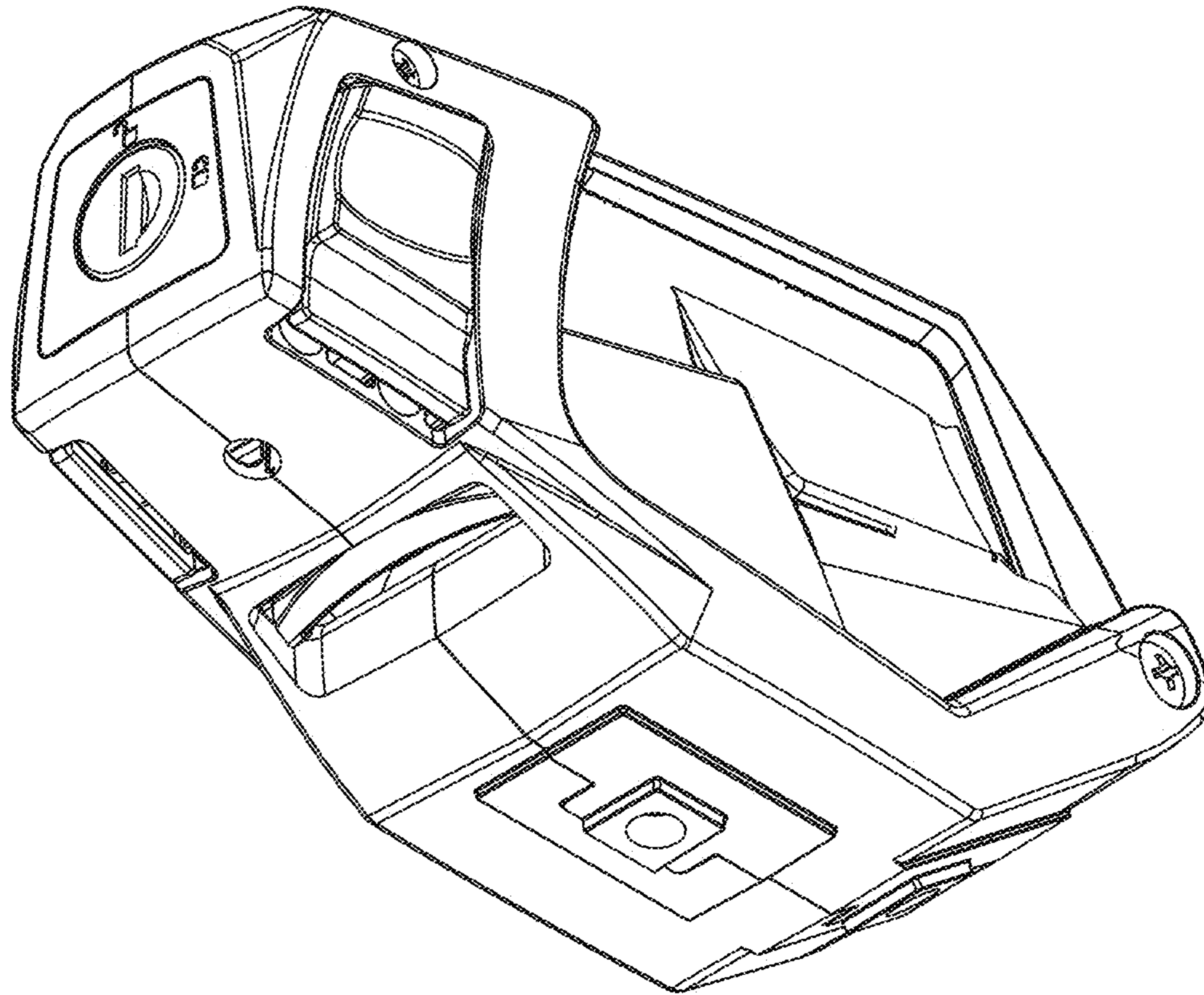


FIG. 2

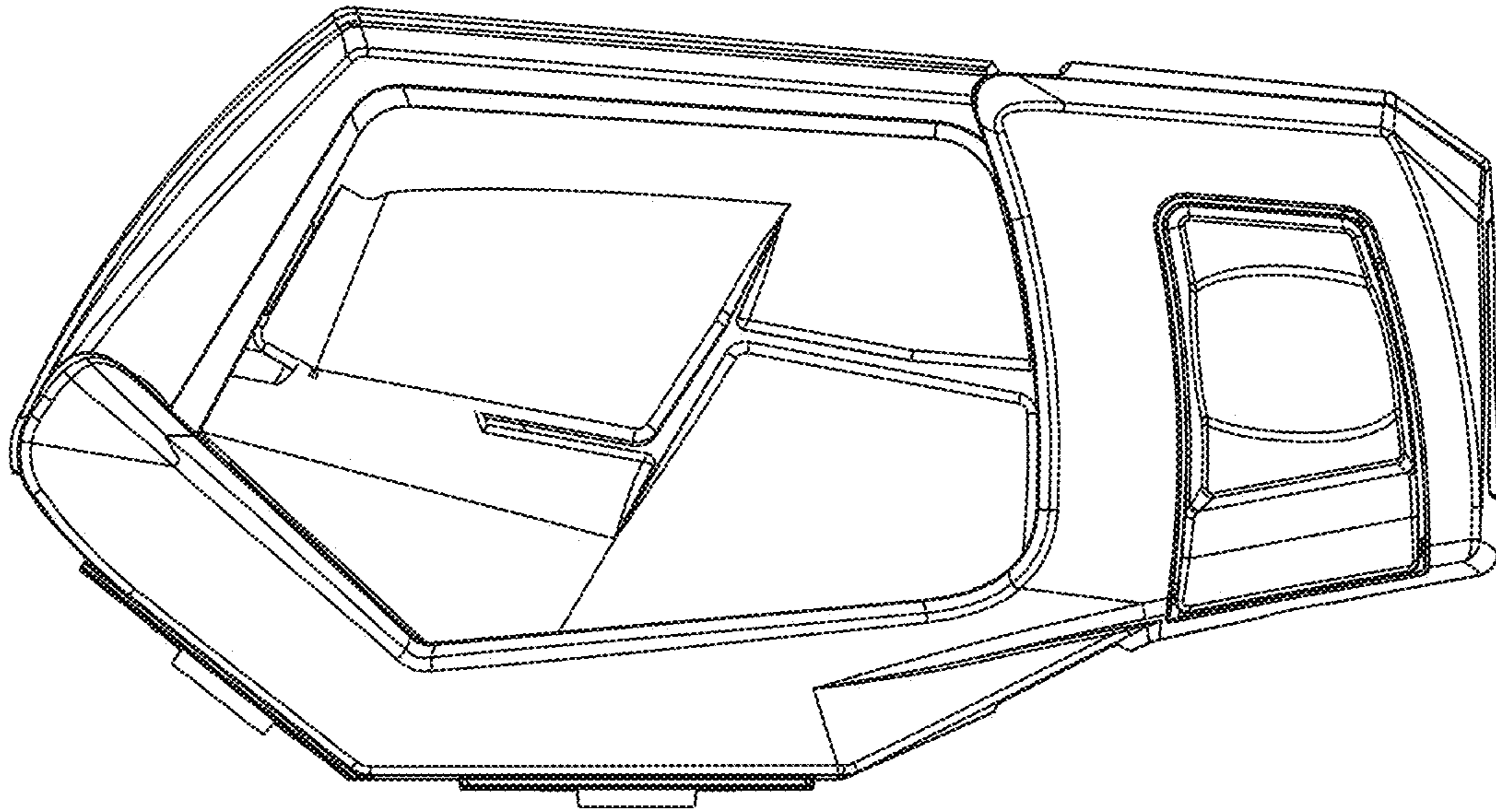


FIG. 3

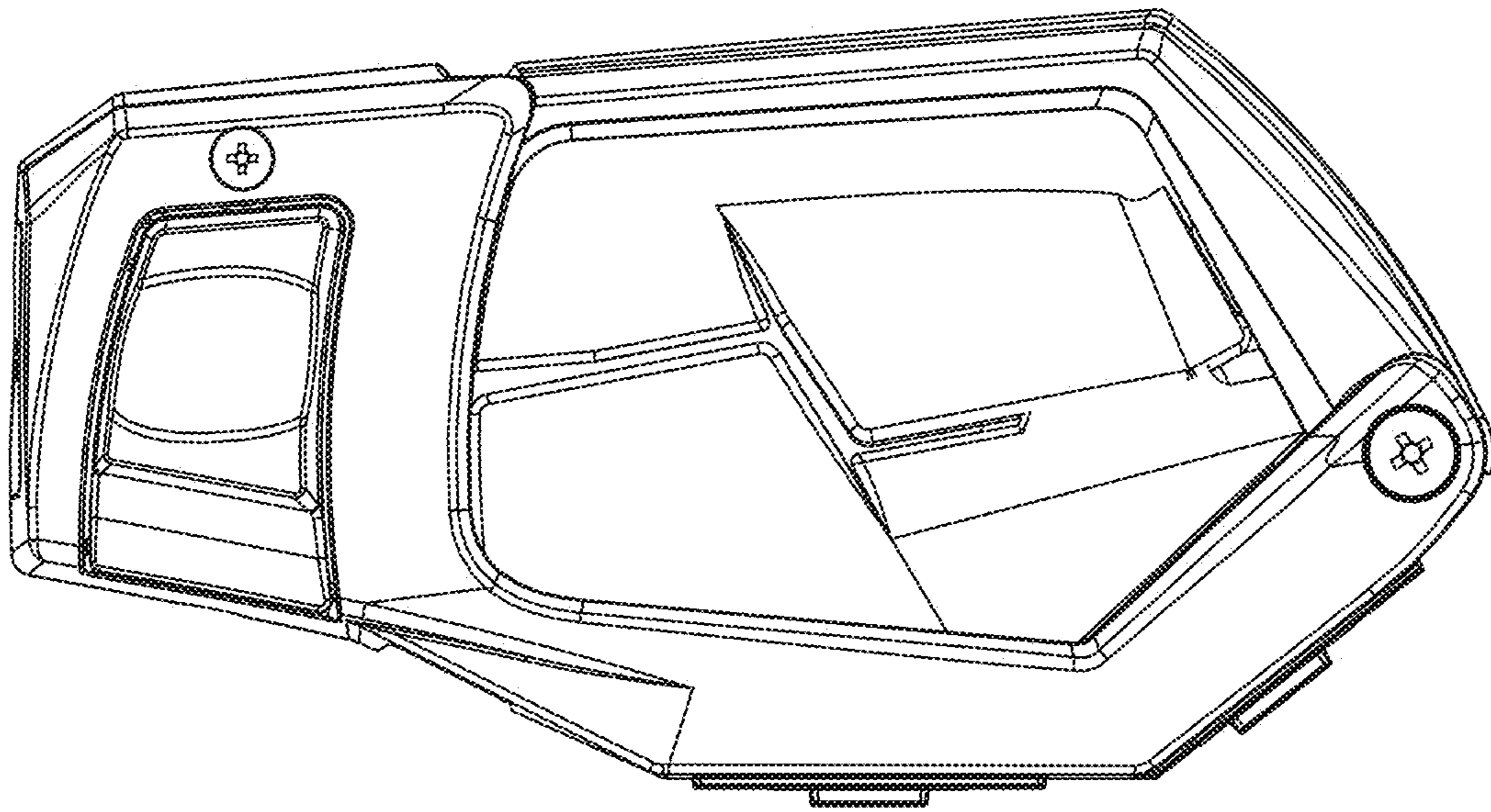


FIG. 4

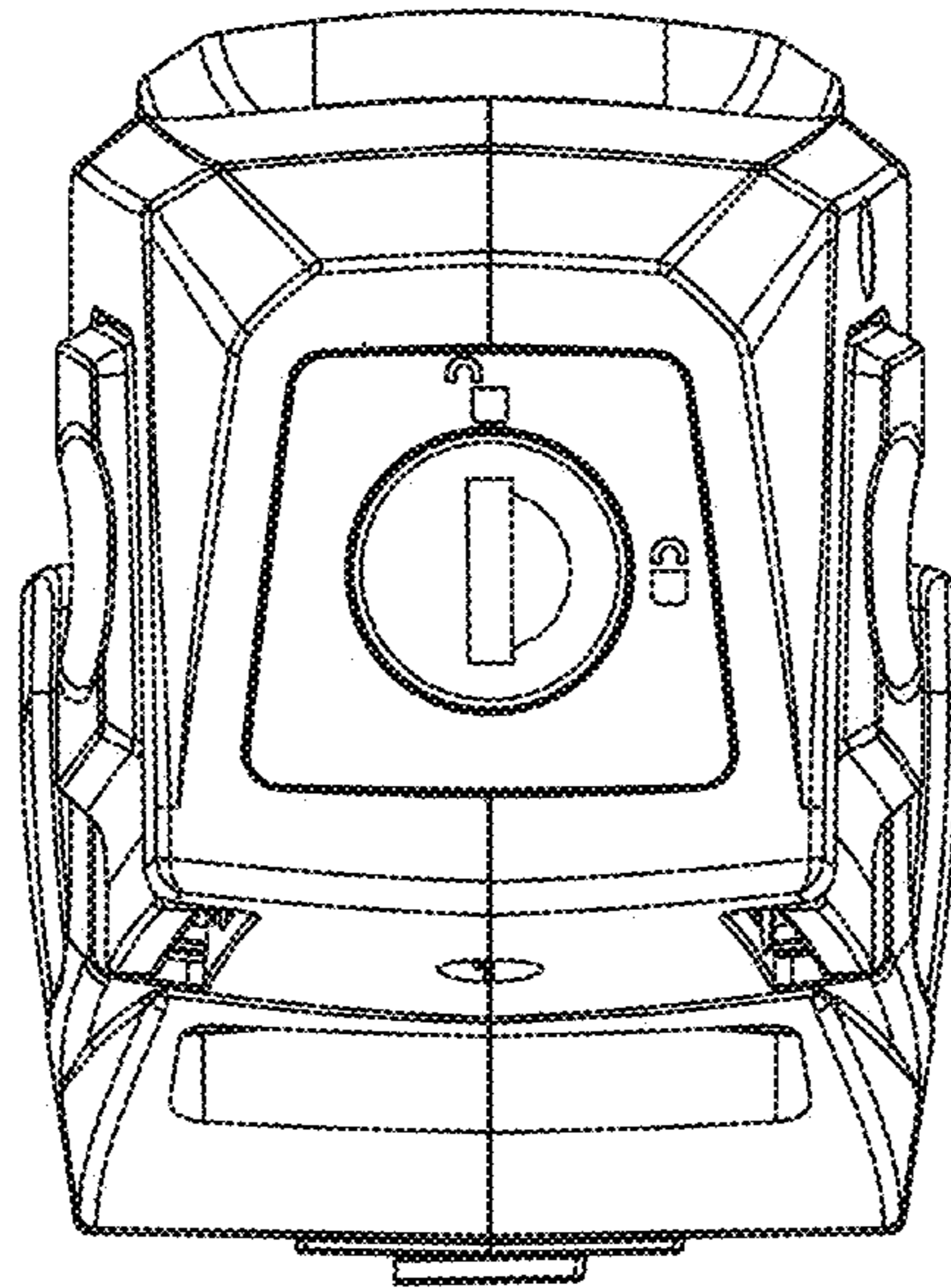


FIG. 5

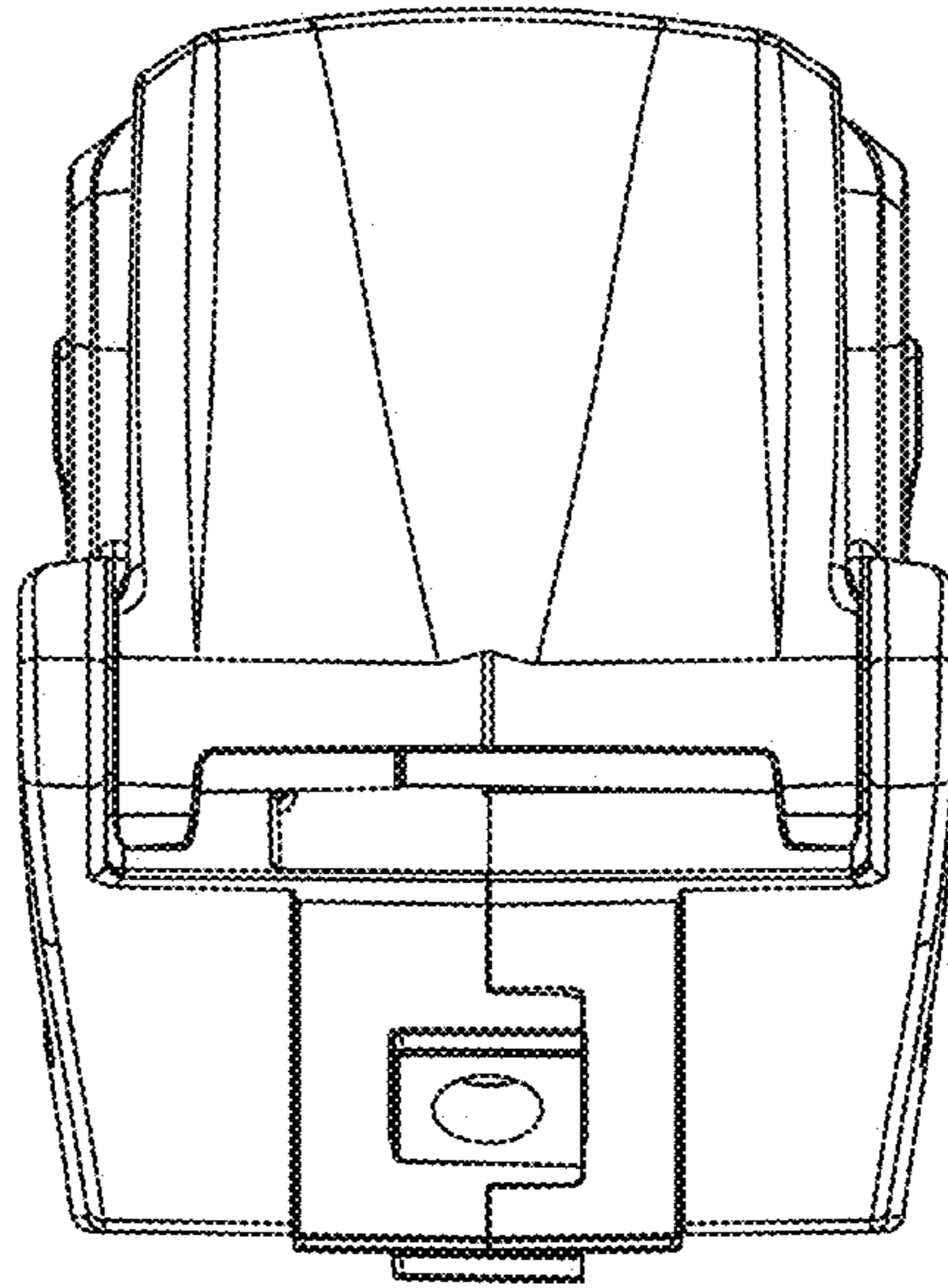


FIG. 6

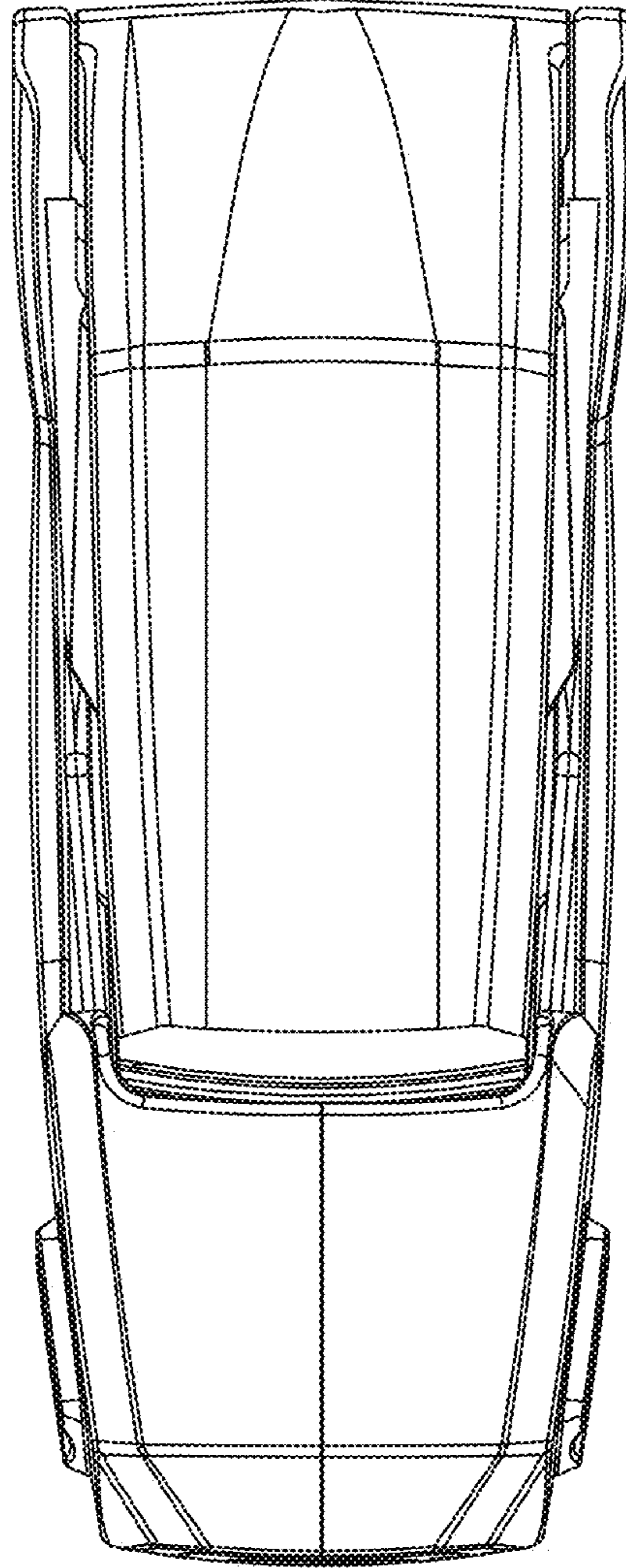


FIG. 7

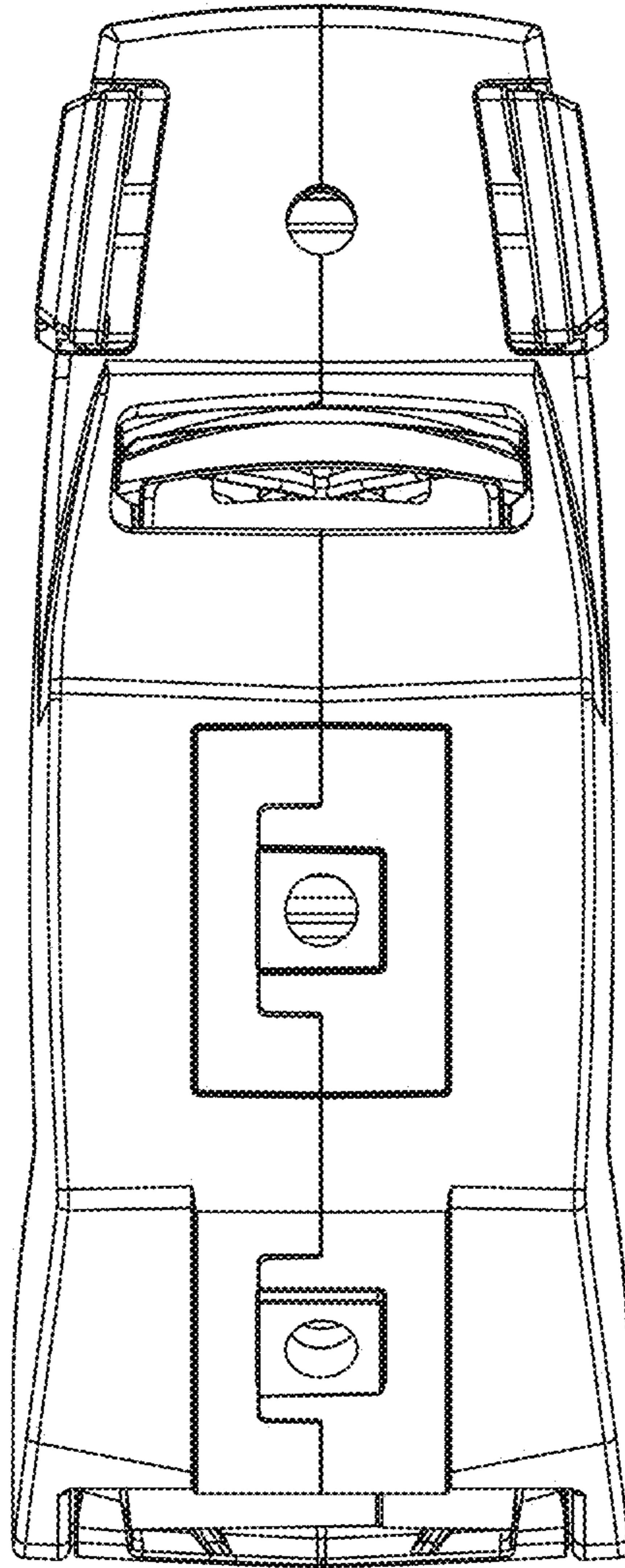


FIG. 8

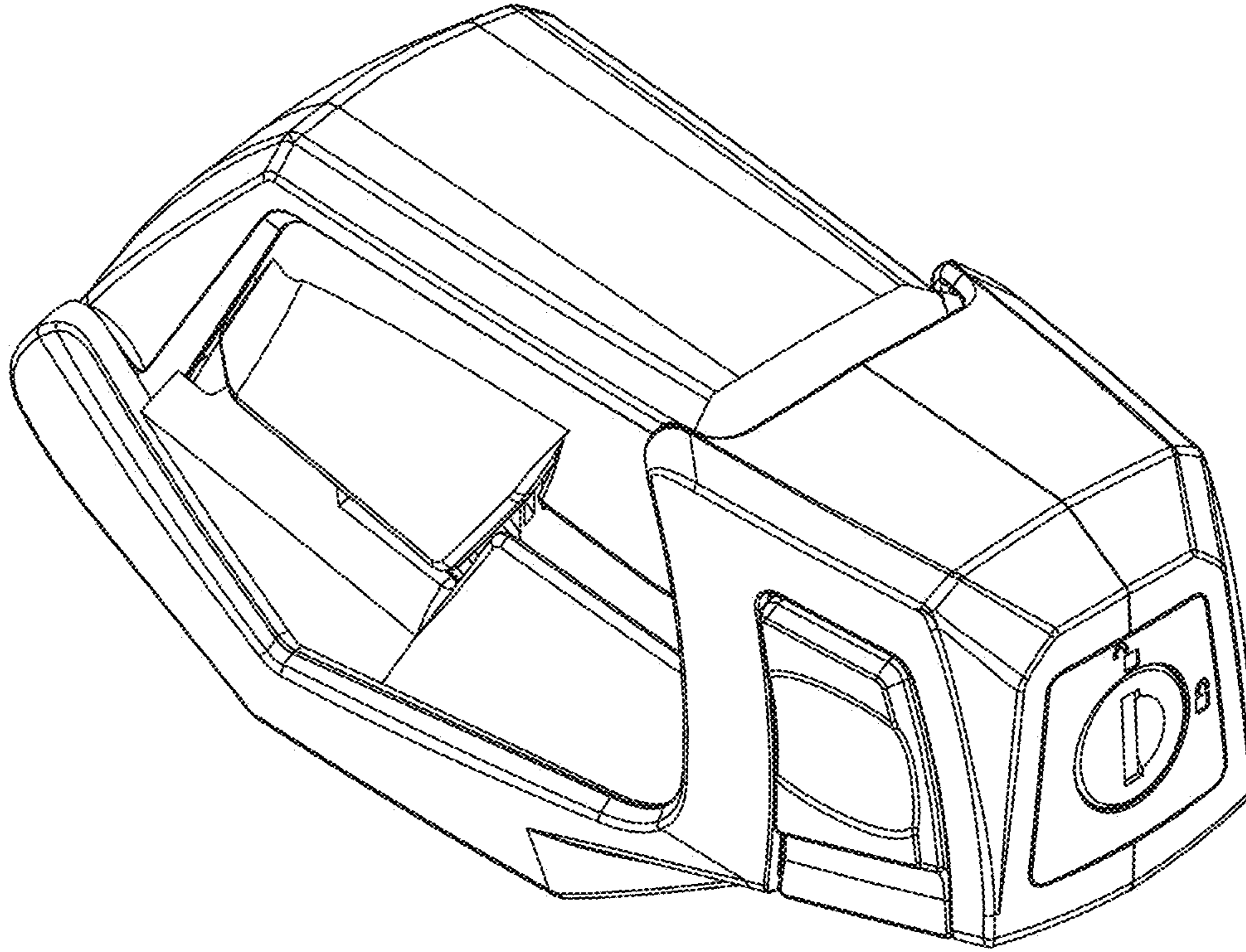


FIG. 9

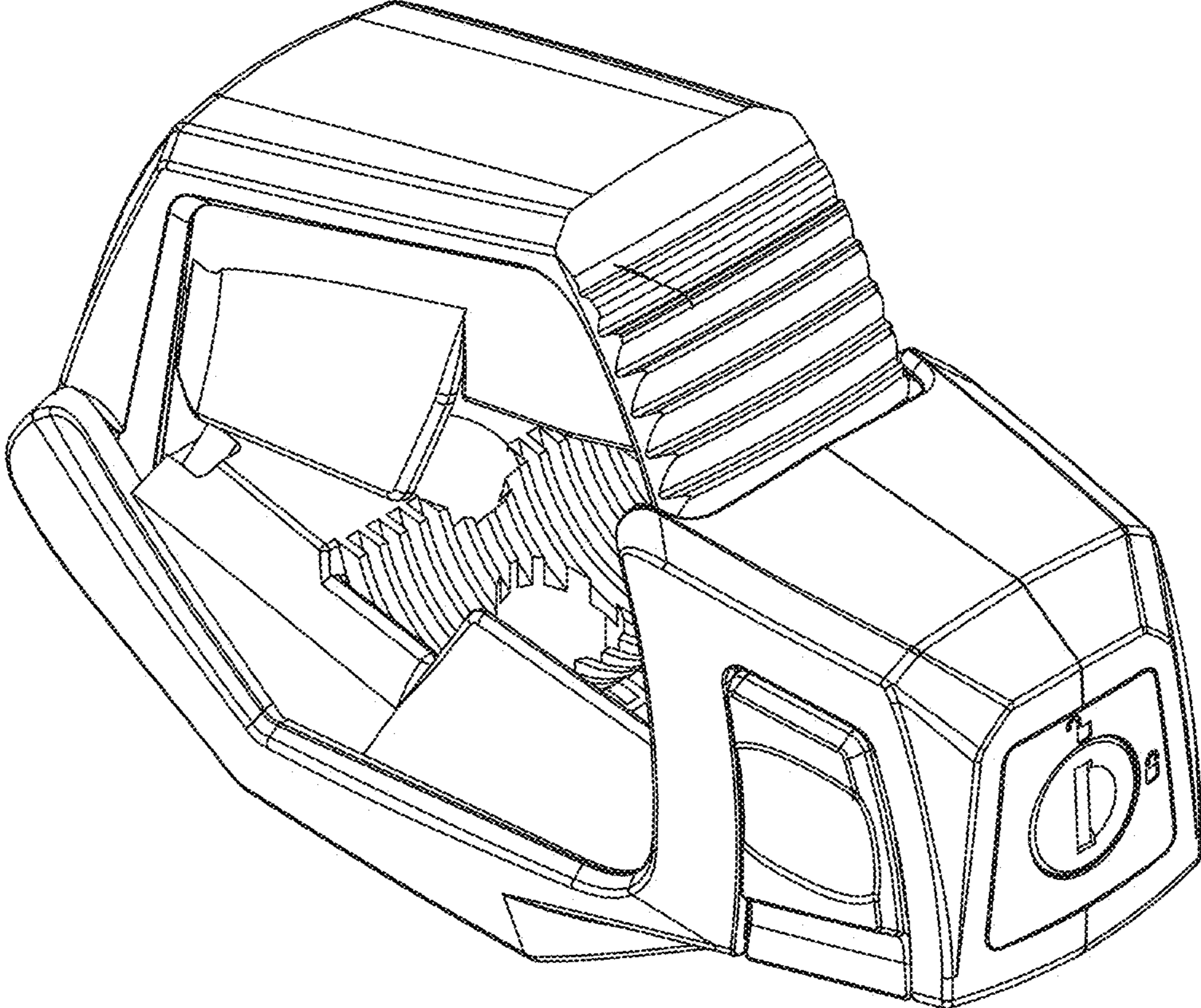


FIG. 10

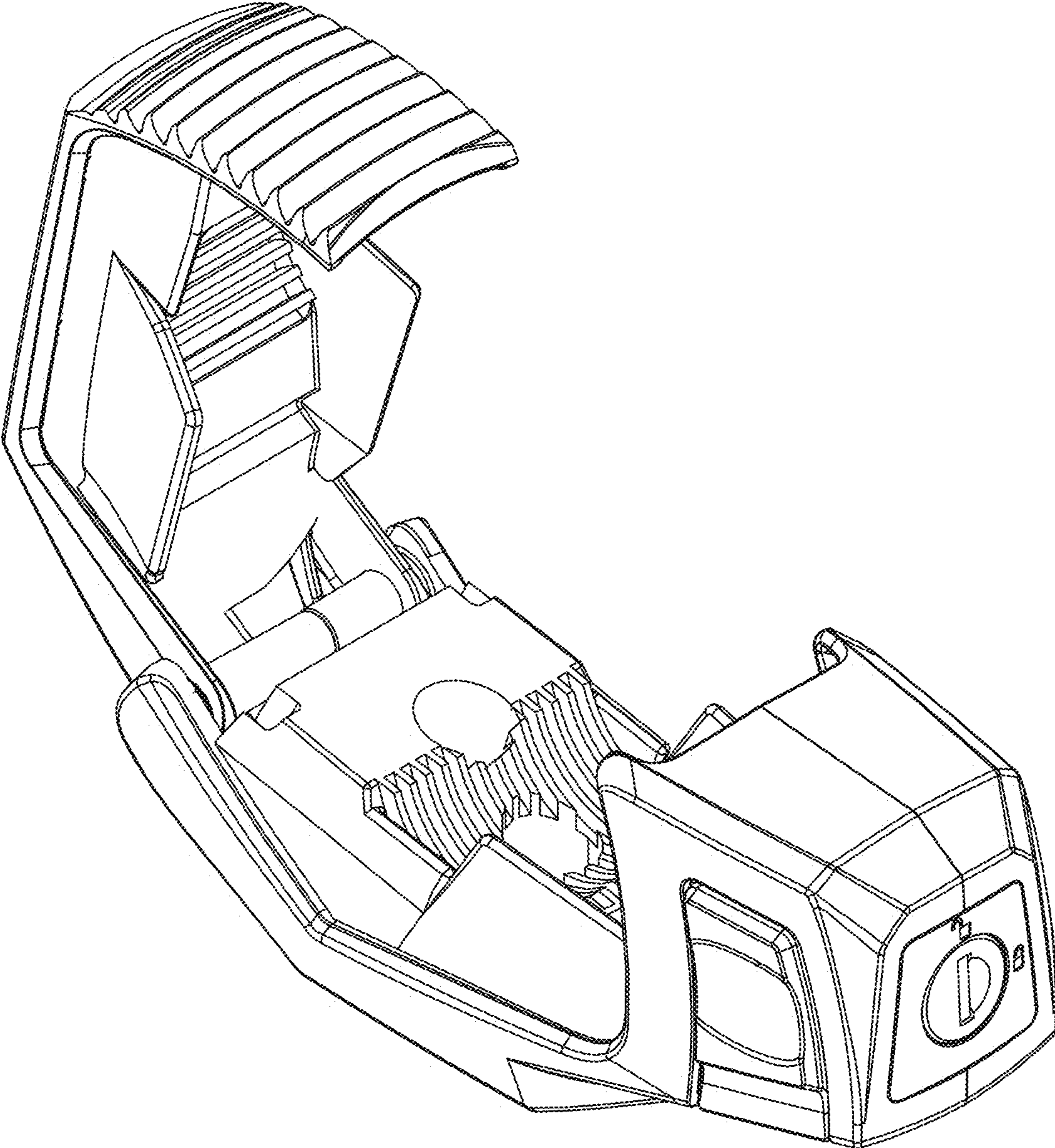


FIG. 11