

US00D940630S

(12) **United States Design Patent** (10) **Patent No.:** **US D940,630 S**  
**Yu** (45) **Date of Patent:** **\*\* Jan. 11, 2022**

(54) **WATER DRONE**  
(71) Applicant: **VICLINE Co., LTD.**, Gunpo-si (KR)  
(72) Inventor: **Dal San Yu**, Bucheon-si (KR)  
(73) Assignee: **VICLINE Co., LTD.**, Gunpo-si (KR)  
(\*\*) Term: **15 Years**  
(21) Appl. No.: **29/717,766**  
(22) Filed: **Dec. 19, 2019**  
(30) **Foreign Application Priority Data**  
Dec. 6, 2019 (KR) ..... 30-2019-0059176  
(51) **LOC (13) Cl.** ..... **12-07**  
(52) **U.S. Cl.**  
USPC ..... **D12/324**; D12/16.1  
(58) **Field of Classification Search**  
USPC ..... D12/1-4, 16.1, 319-345, 300, 308, 316,  
D12/317; D21/436, 441, 443, 444, 446,  
D21/447, 448, 449, 450, 451, 452, 453,  
D21/454  
CPC ..... B64C 2201/141; B64C 2201/20; B64C  
2201/027; B64G 1/002; A63H 33/185  
See application file for complete search history.

(56) **References Cited**  
U.S. PATENT DOCUMENTS  
D171,133 S \* 12/1953 Jay ..... D12/325  
D172,112 S \* 5/1954 Shoemaker ..... D12/325  
D213,529 S \* 3/1969 Sherwood ..... D12/325  
D215,971 S \* 11/1969 Rosta ..... D12/325  
D218,365 S \* 8/1970 Sherwood ..... D12/325  
D312,067 S \* 11/1990 Walling ..... D12/320  
D418,475 S \* 1/2000 Milde, Jr. .... D12/320  
D430,530 S \* 9/2000 Milde, Jr. .... D12/320  
D669,836 S \* 10/2012 Ordonez ..... D12/345  
D725,028 S \* 3/2015 Kapitan ..... D12/323

D725,575 S \* 3/2015 Kapitan ..... D12/323  
D760,624 S \* 7/2016 Balaesque ..... D12/16.1  
D780,665 S \* 3/2017 Blincow ..... D12/320  
D796,414 S \* 9/2017 Fenny ..... D12/328  
D798,221 S \* 9/2017 Kaiser ..... D12/325  
D798,795 S \* 10/2017 Fenny ..... D12/328  
D815,580 S \* 4/2018 Kim ..... D12/325  
D817,252 S \* 5/2018 Kim ..... D12/325  
D830,228 S \* 10/2018 Grassi ..... D12/16.1  
D830,897 S \* 10/2018 Choi ..... D12/16.1  
10,149,916 B2 \* 12/2018 Taoka ..... G05D 1/0094  
D846,442 S \* 4/2019 Kim ..... D12/16.1  
D847,021 S \* 4/2019 Kim ..... D12/16.1  
D875,024 S \* 2/2020 Zheng ..... D12/345  
D885,976 S \* 6/2020 Jang ..... D12/16.1  
D886,909 S \* 6/2020 Zhou ..... D21/453  
D890,267 S \* 7/2020 Liao ..... D21/437  
D891,521 S \* 7/2020 Liao ..... D21/447  
D892,225 S \* 8/2020 Liao ..... D21/447  
D904,967 S \* 12/2020 Kaiser ..... D12/319

(Continued)

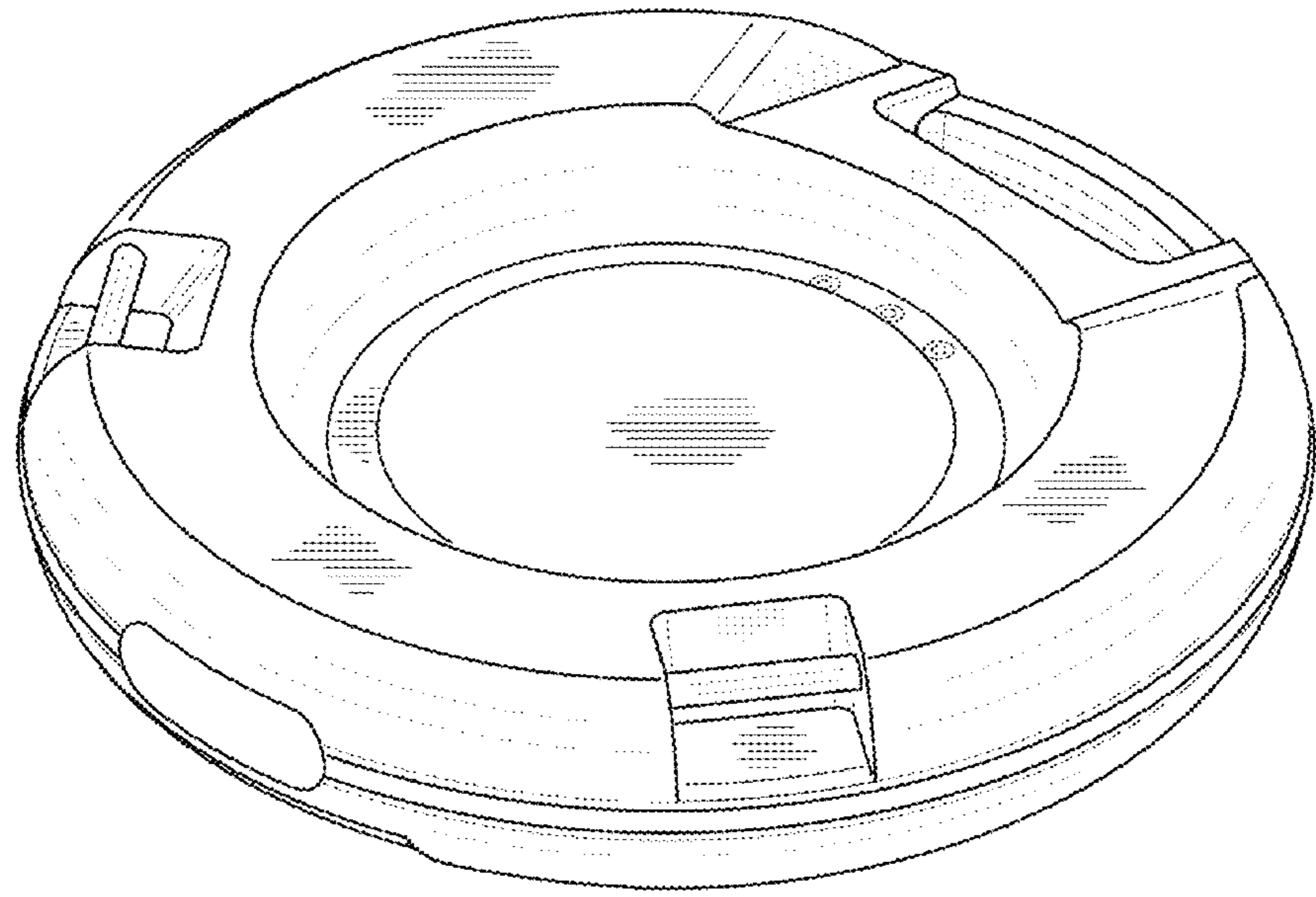
*Primary Examiner* — Marissa J Cash  
(74) *Attorney, Agent, or Firm* — Revolution IP, PLLC

(57) **CLAIM**  
The ornamental design for a water drone, as shown and described.

**DESCRIPTION**

FIG. 1 is an upper prospective view of a water drone showing my new design;  
FIG. 2 is a lower prospective view thereof;  
FIG. 3 is a front view thereof;  
FIG. 4 is a near view thereof;  
FIG. 5 is a left side view thereof;  
FIG. 6 is a right side view thereof;  
FIG. 7 is a top view thereof; and,  
FIG. 8 is a bottom view thereof.  
In the drawings, the broken lines depict portions of the water drone that form no part of the claimed design.

**1 Claim, 8 Drawing Sheets**



(56)

**References Cited**

U.S. PATENT DOCUMENTS

2014/0127963 A1\* 5/2014 Wechsler ..... A63H 33/18  
446/48  
2014/0230179 A1\* 8/2014 Matsubara ..... A47L 9/2805  
15/319  
2016/0170416 A1\* 6/2016 Chen ..... B64C 39/024  
701/8  
2018/0044005 A1\* 2/2018 Hayden, III ..... B64C 39/062  
2018/0259953 A1\* 9/2018 Park ..... G06K 9/00375

\* cited by examiner

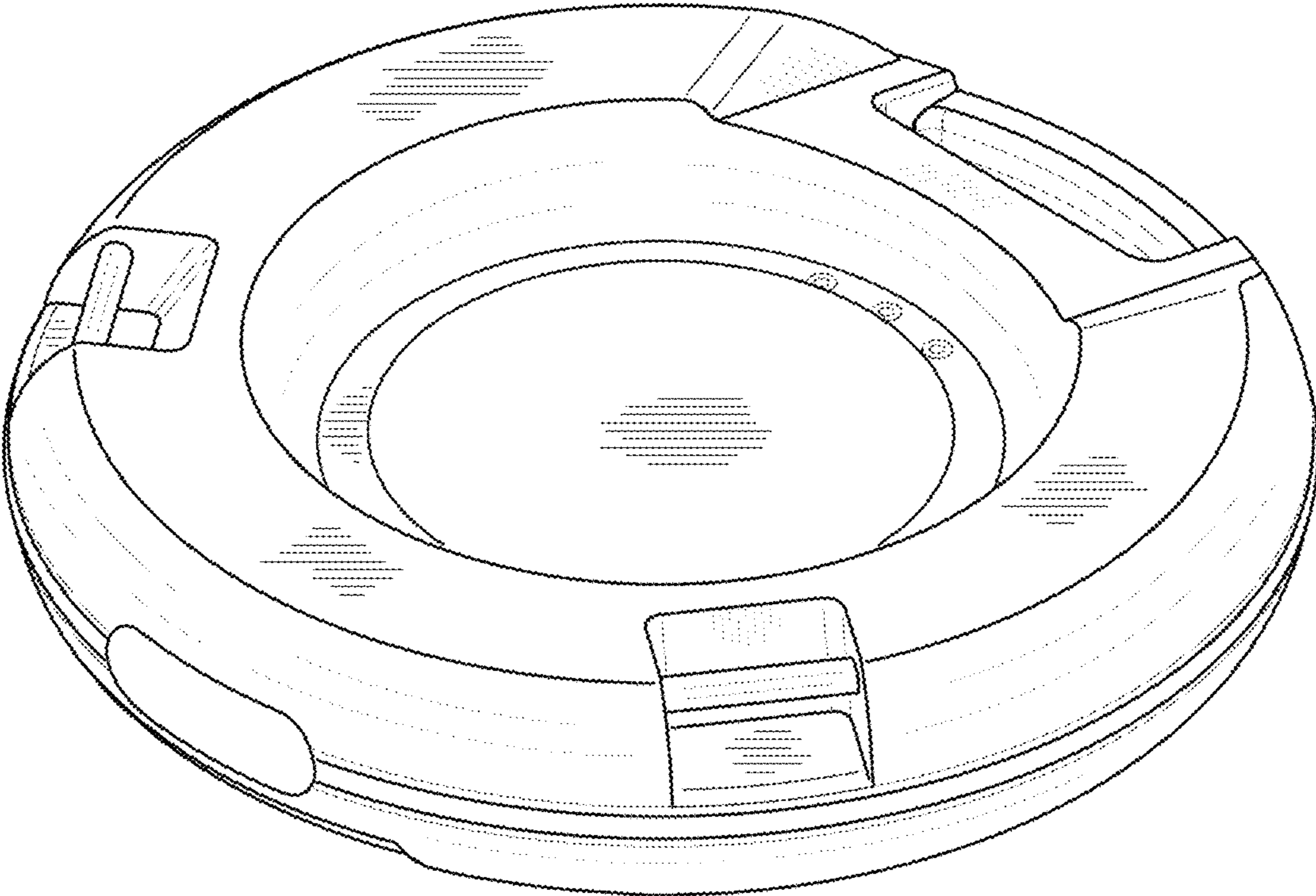


FIG. 1

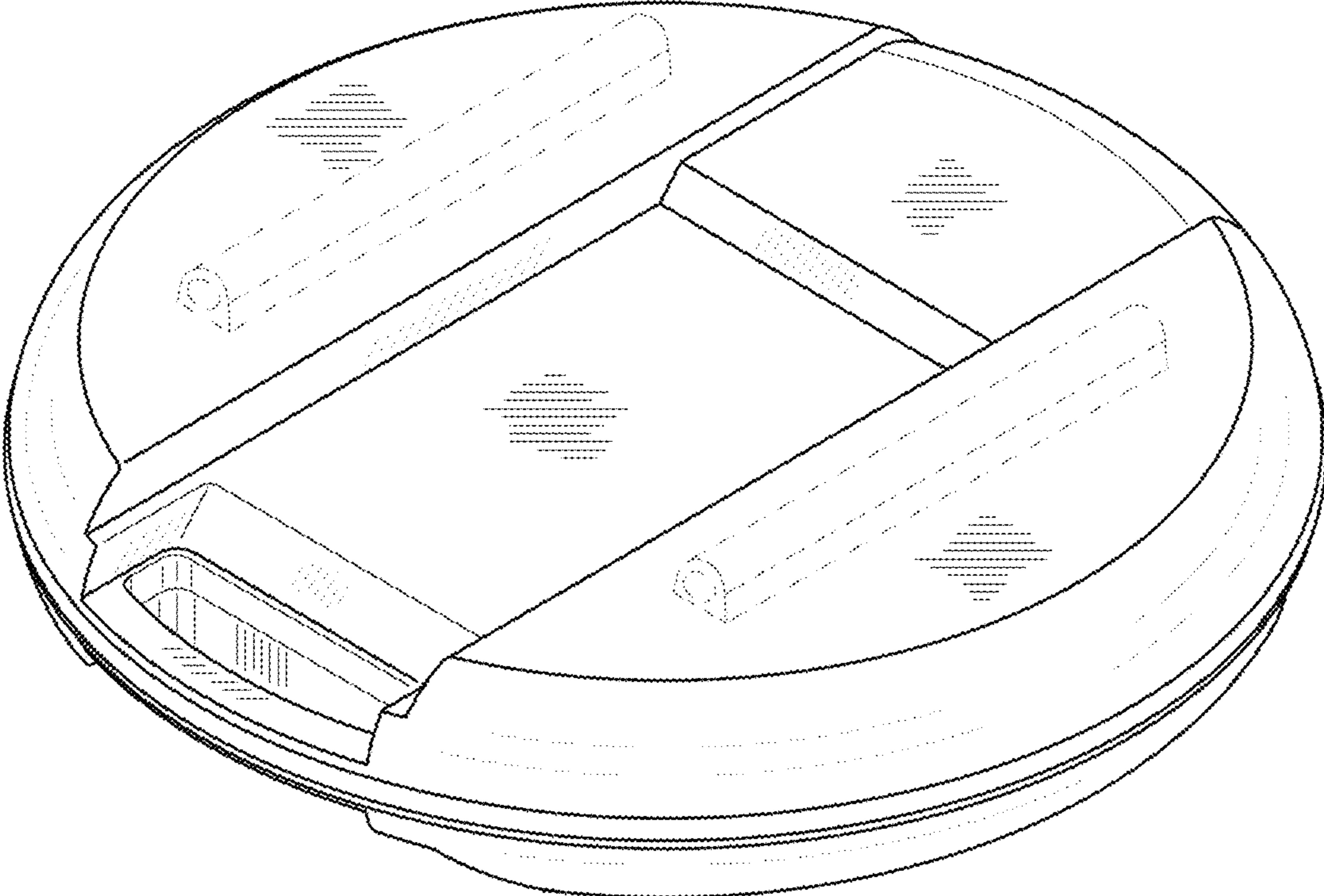


FIG. 2

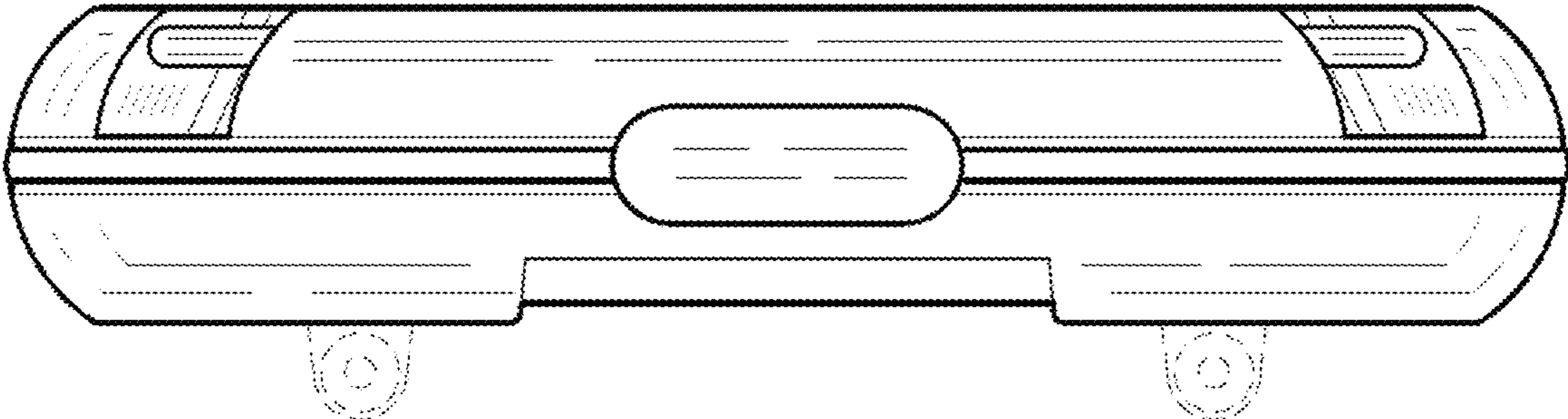


FIG. 3

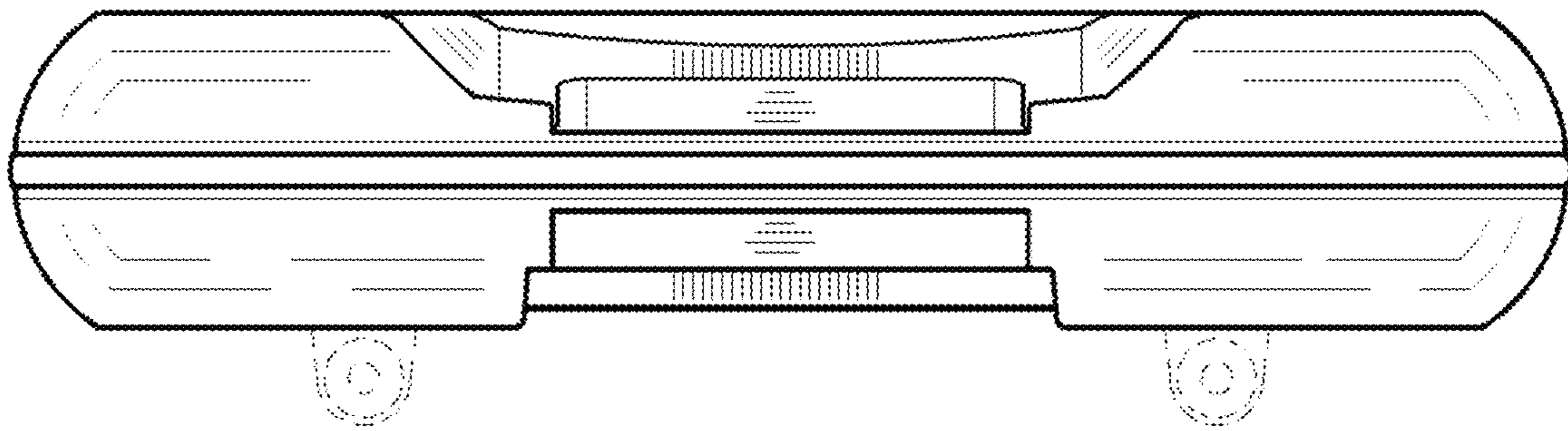


FIG. 4

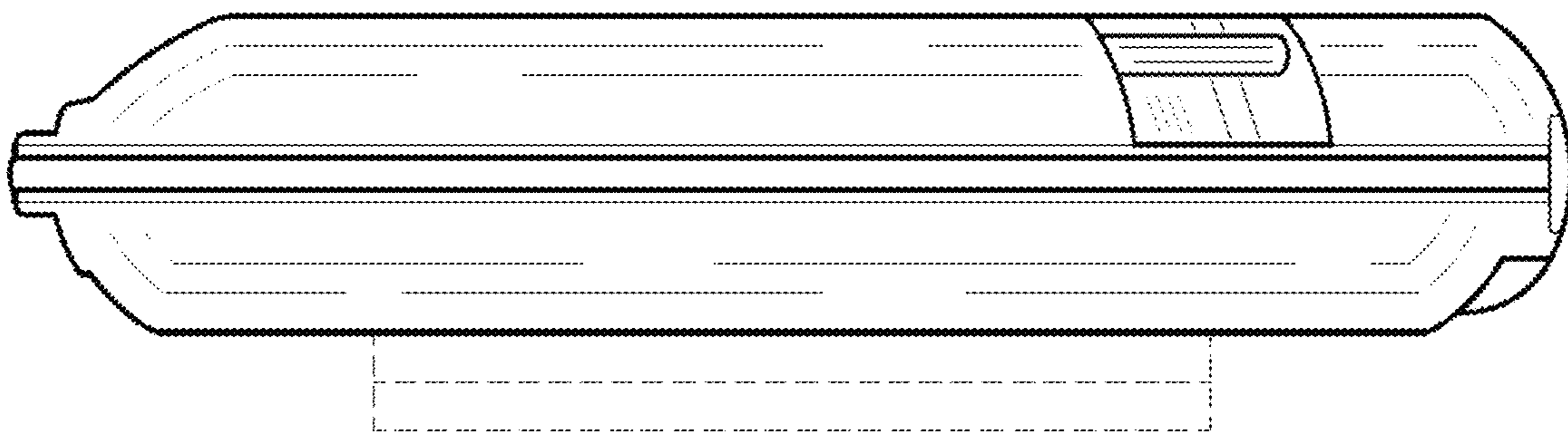


FIG. 5

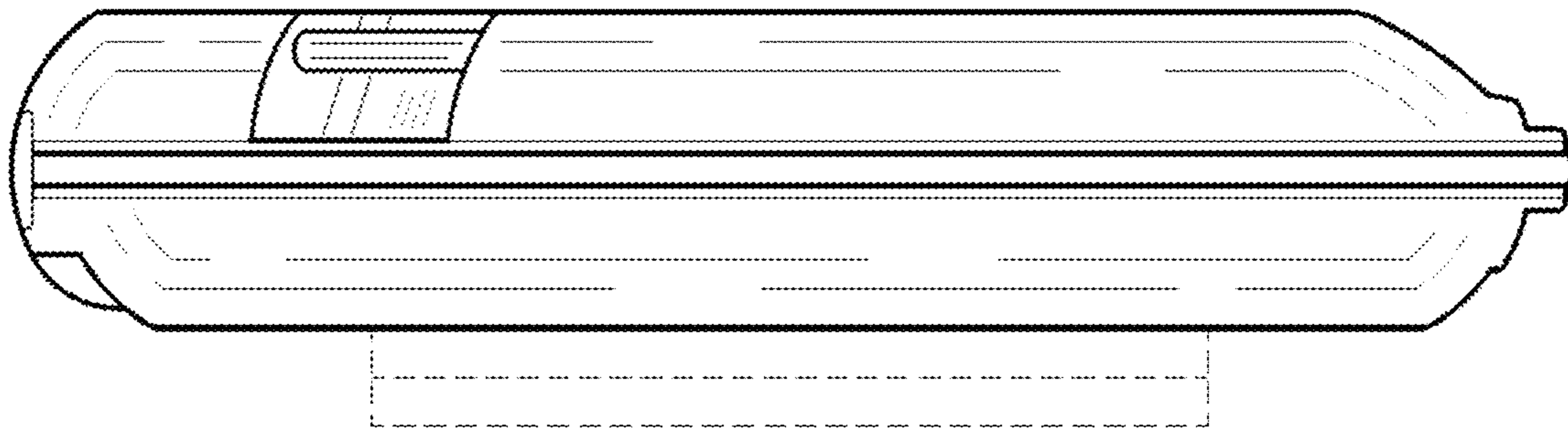


FIG. 6



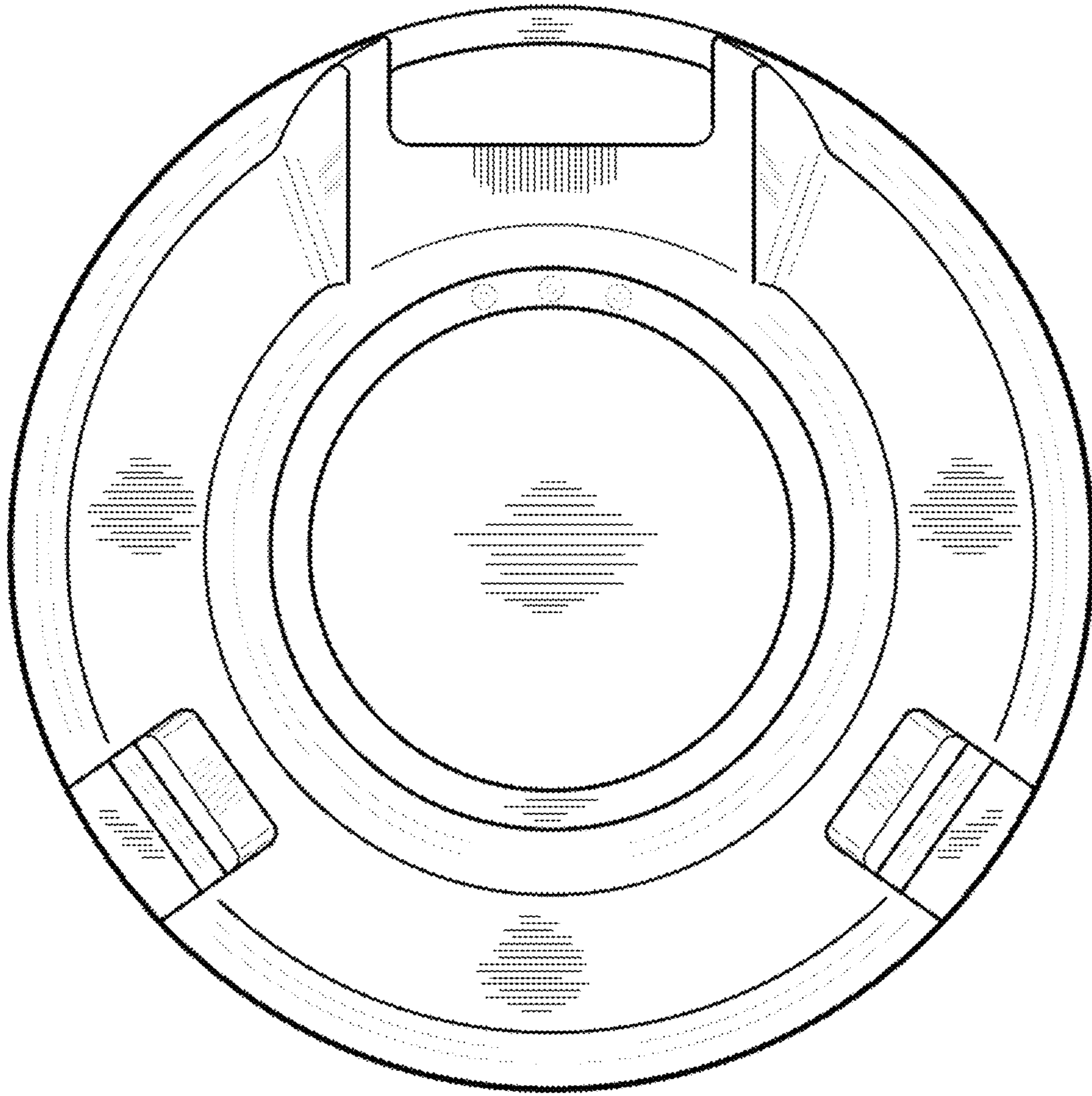


FIG. 7

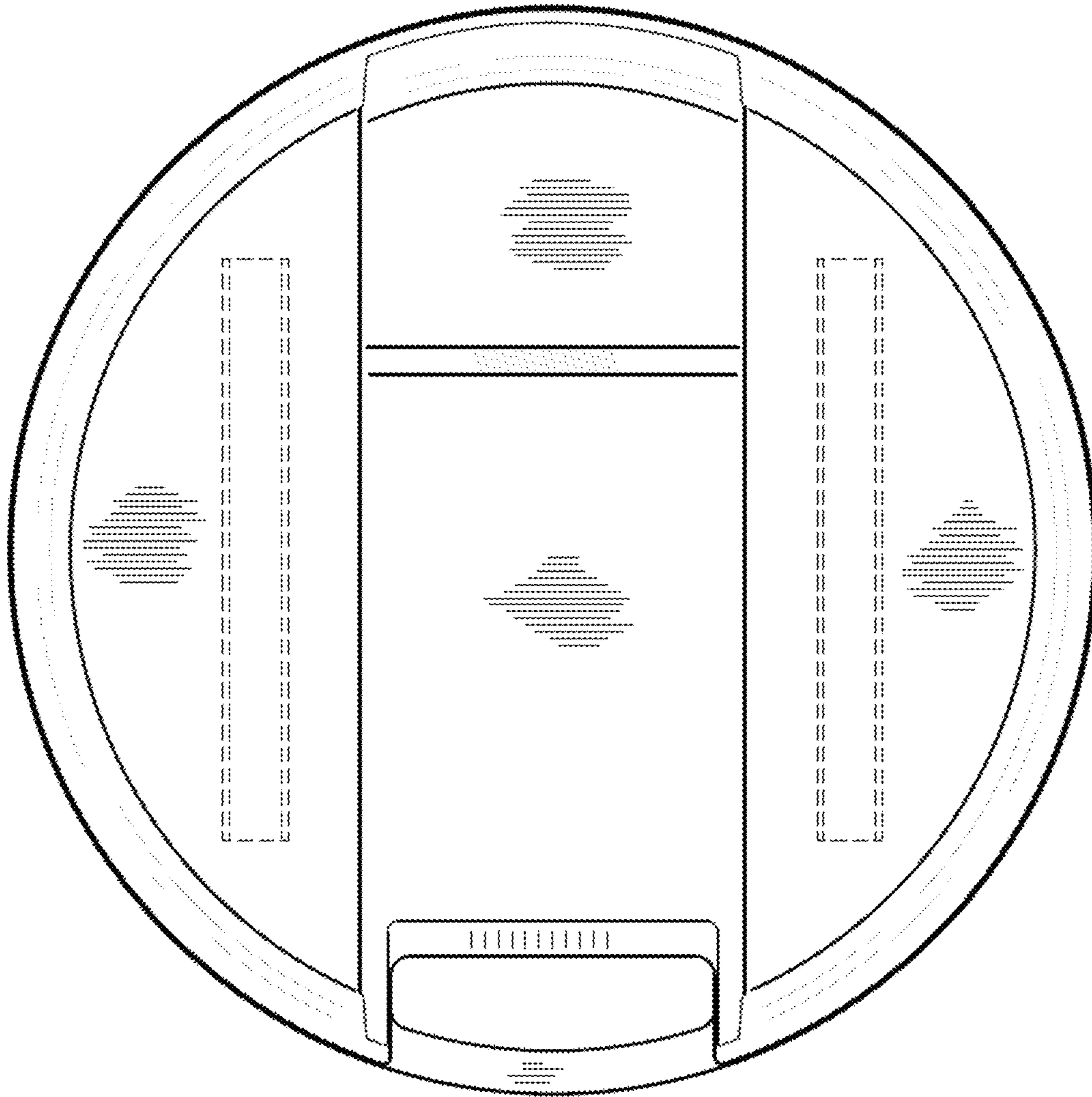


FIG. 8